



US00D910218S

(12) **United States Design Patent** (10) **Patent No.:** **US D910,218 S**
Somasekar et al. (45) **Date of Patent:** **** Feb. 9, 2021**

(54) **SPOTLIGHT**

D645,596 S * 9/2011 Yamada D26/63
D845,530 S * 4/2019 Yu D26/63
D886,352 S * 6/2020 Hu D26/63
D893,074 S * 8/2020 Finocchiaro D26/63

(71) Applicant: **Insight Lighting, Inc.**, Rio Rancho,
NM (US)

(72) Inventors: **Thiyagarajan Somasekar**, Rio Rancho,
NM (US); **Jaxon Patterson**, Rio
Rancho, NM (US); **Steve Kellison**, Rio
Rancho, NM (US); **David Patterson**,
Rio Rancho, NM (US)

* cited by examiner

Primary Examiner — Brian N. Vinson

(74) *Attorney, Agent, or Firm* — Rod D. Baker

(73) Assignee: **INSIGHT LIGHTING, INC.**, Rio
Rancho, NM (US)

(57) **CLAIM**

(**) Term: **15 Years**

We claim the ornamental design for spotlight, as shown.

(21) Appl. No.: **29/704,921**

(22) Filed: **Sep. 9, 2019**

DESCRIPTION

(51) **LOC (13) Cl.** **26-03**

(52) **U.S. Cl.**
USPC **D26/63**

(58) **Field of Classification Search**
USPC D26/24, 51, 61, 63, 72, 80
CPC F21S 8/04; F21S 8/00; F21W 2131/10;
F21V 21/00; F21V 21/26; F21V 21/14;
F21V 17/02; F21V 21/30

See application file for complete search history.

FIG. 1 is a rear upper perspective view of the spotlight
showing my ornamental design;

FIG. 2 is a front upper perspective view thereof;

FIG. 3 is a top view thereof;

FIG. 4 is a rear view thereof;

FIG. 5 is left side elevation view thereof;

FIG. 6 is right side elevation view thereof;

FIG. 7 is a front view thereof; and,

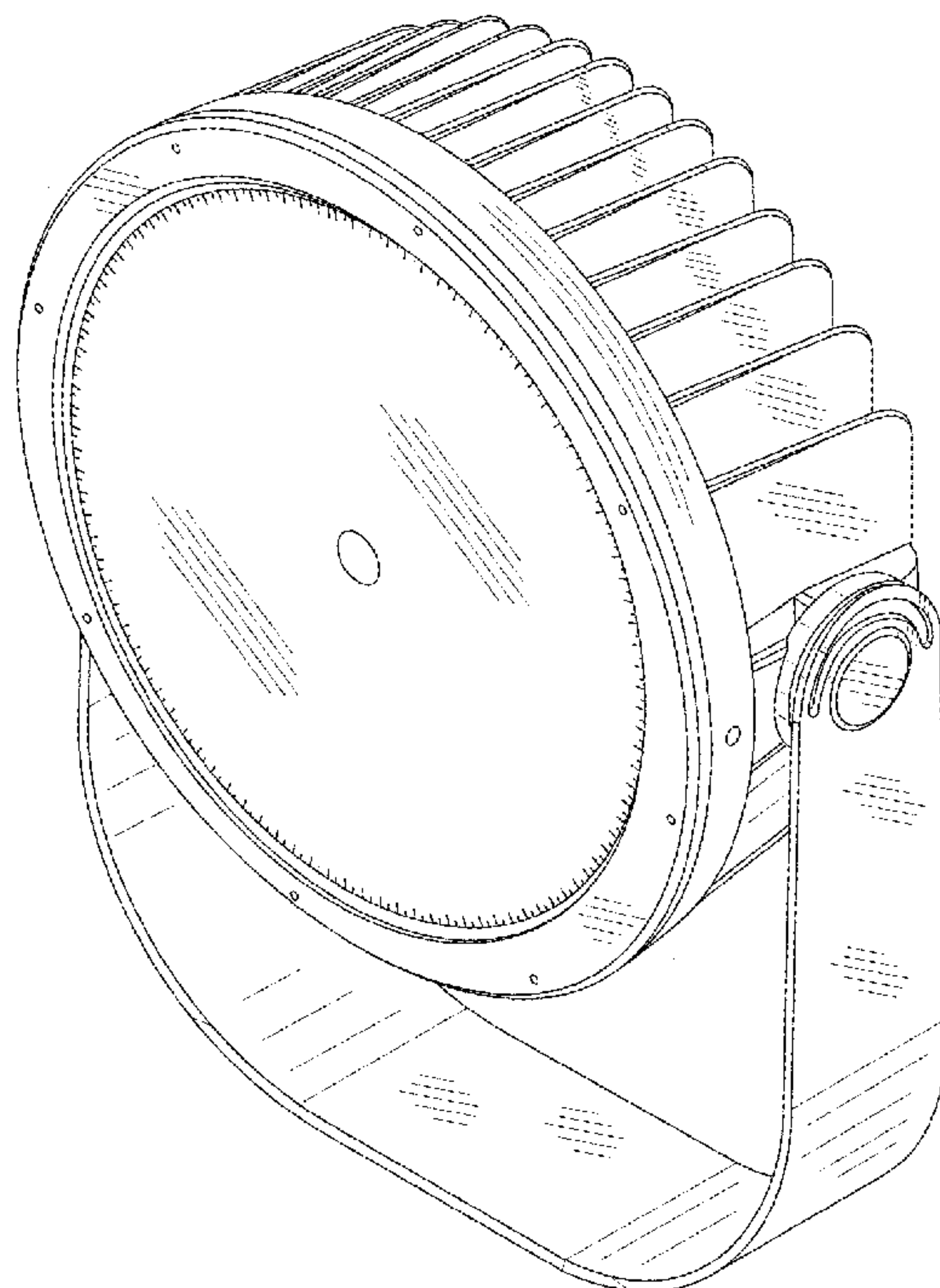
FIG. 8 is a bottom view thereof.

(56) **References Cited**

U.S. PATENT DOCUMENTS

4,419,721 A * 12/1983 Gregoire B60Q 1/245
362/269
D518,218 S * 3/2006 Roberge D26/63
D640,815 S * 6/2011 Yamada D26/63
D645,595 S * 9/2011 Yamada D26/63

1 Claim, 8 Drawing Sheets



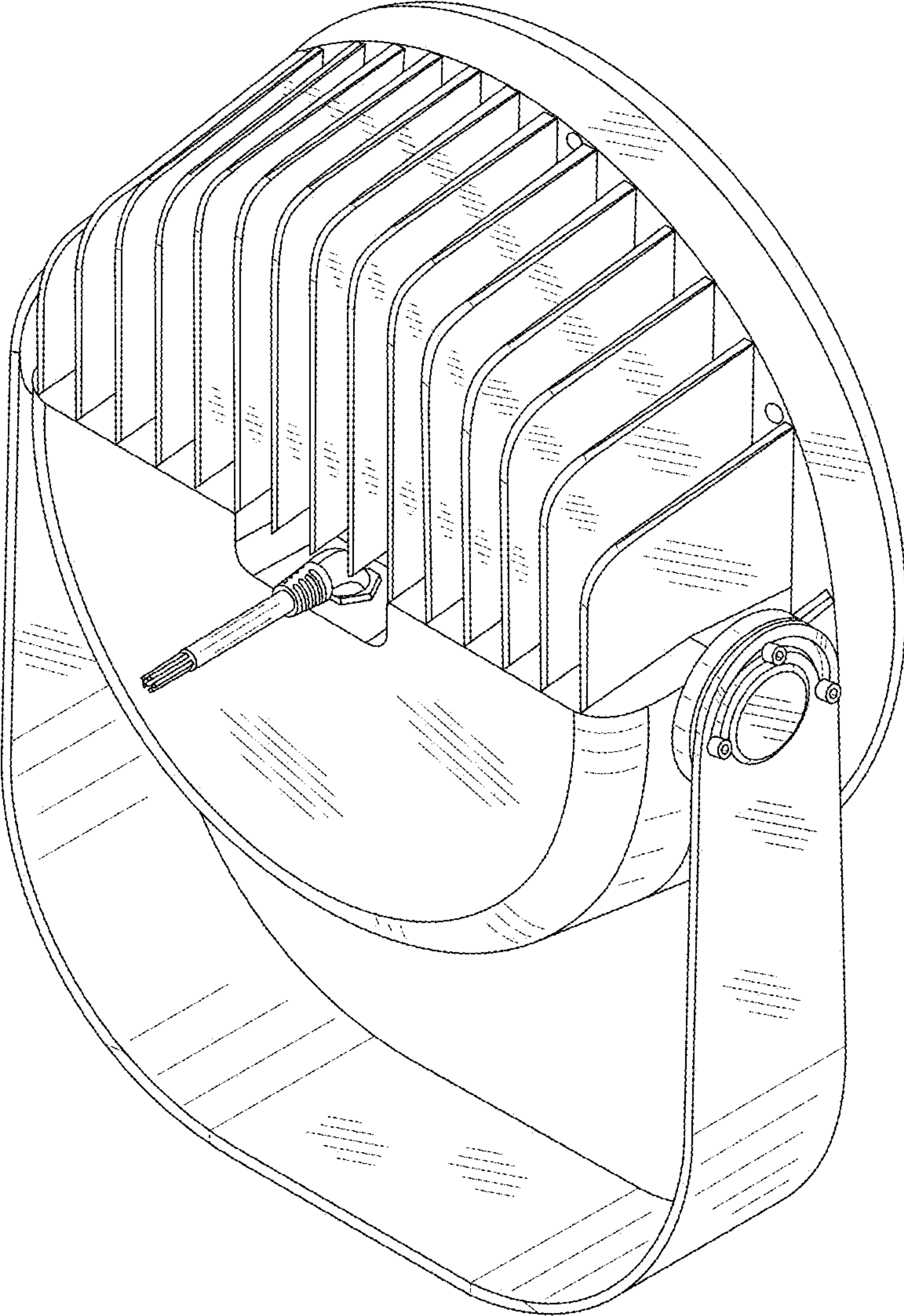


Fig. 1

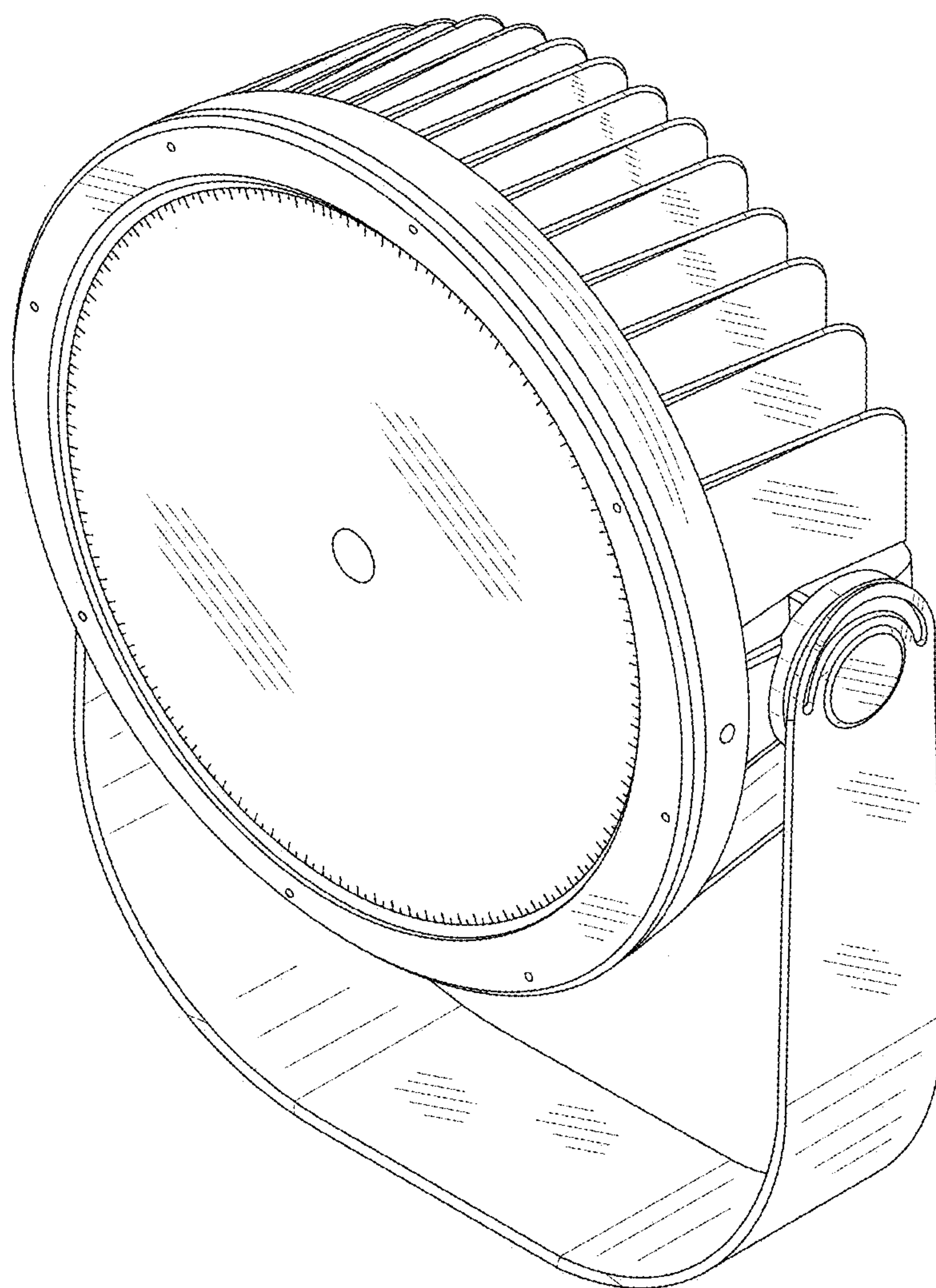


Fig. 2

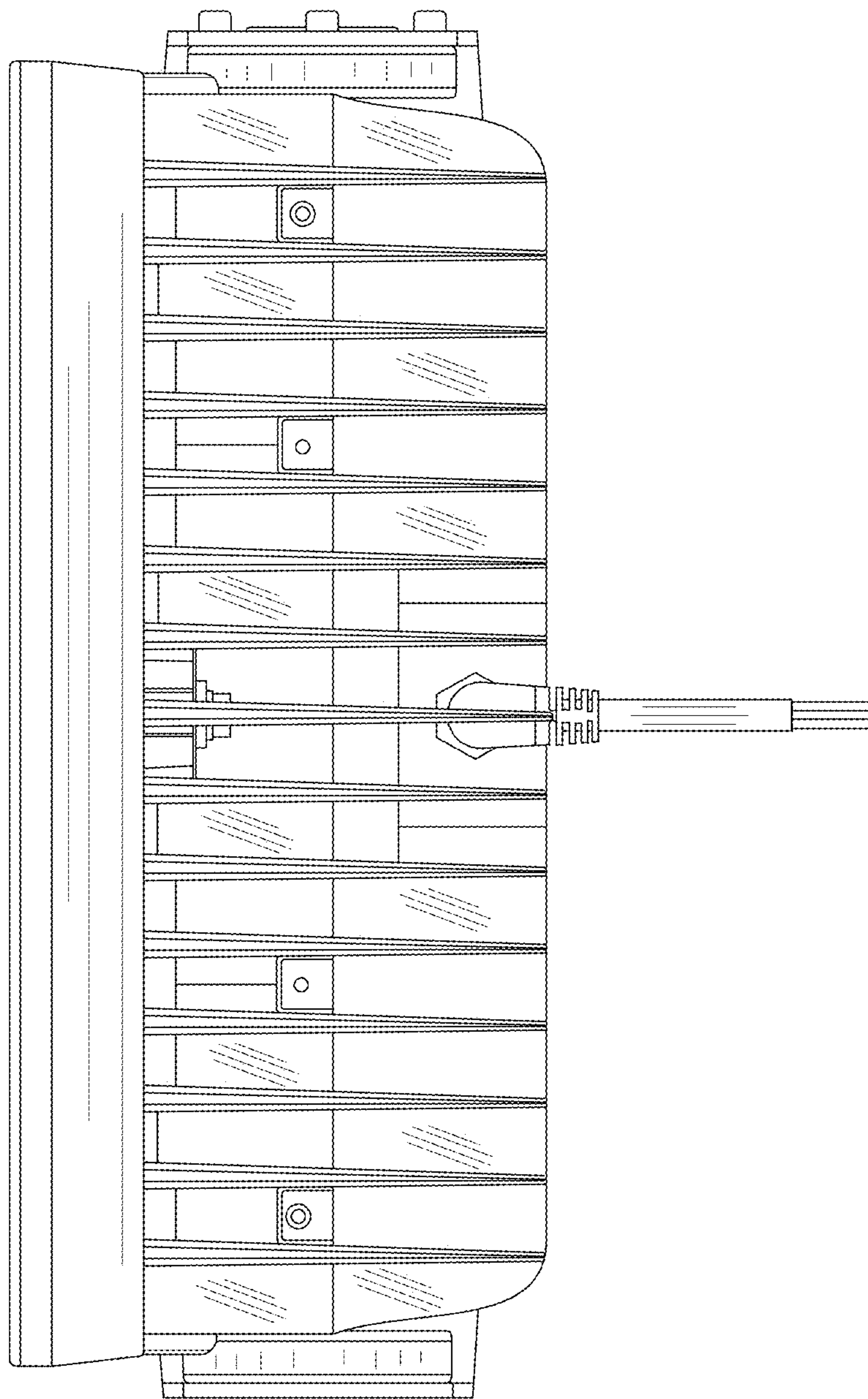


Fig. 3

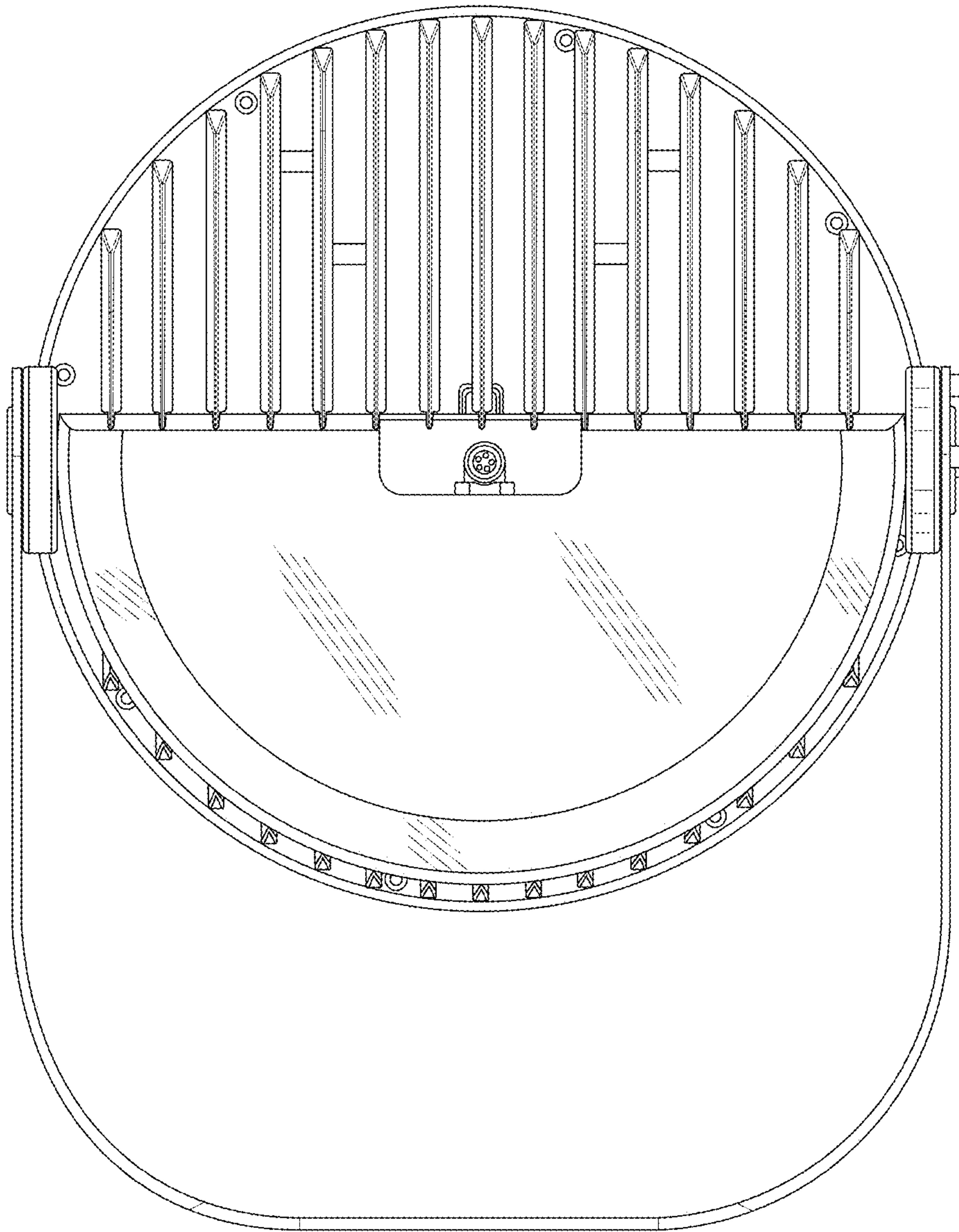


Fig. 4

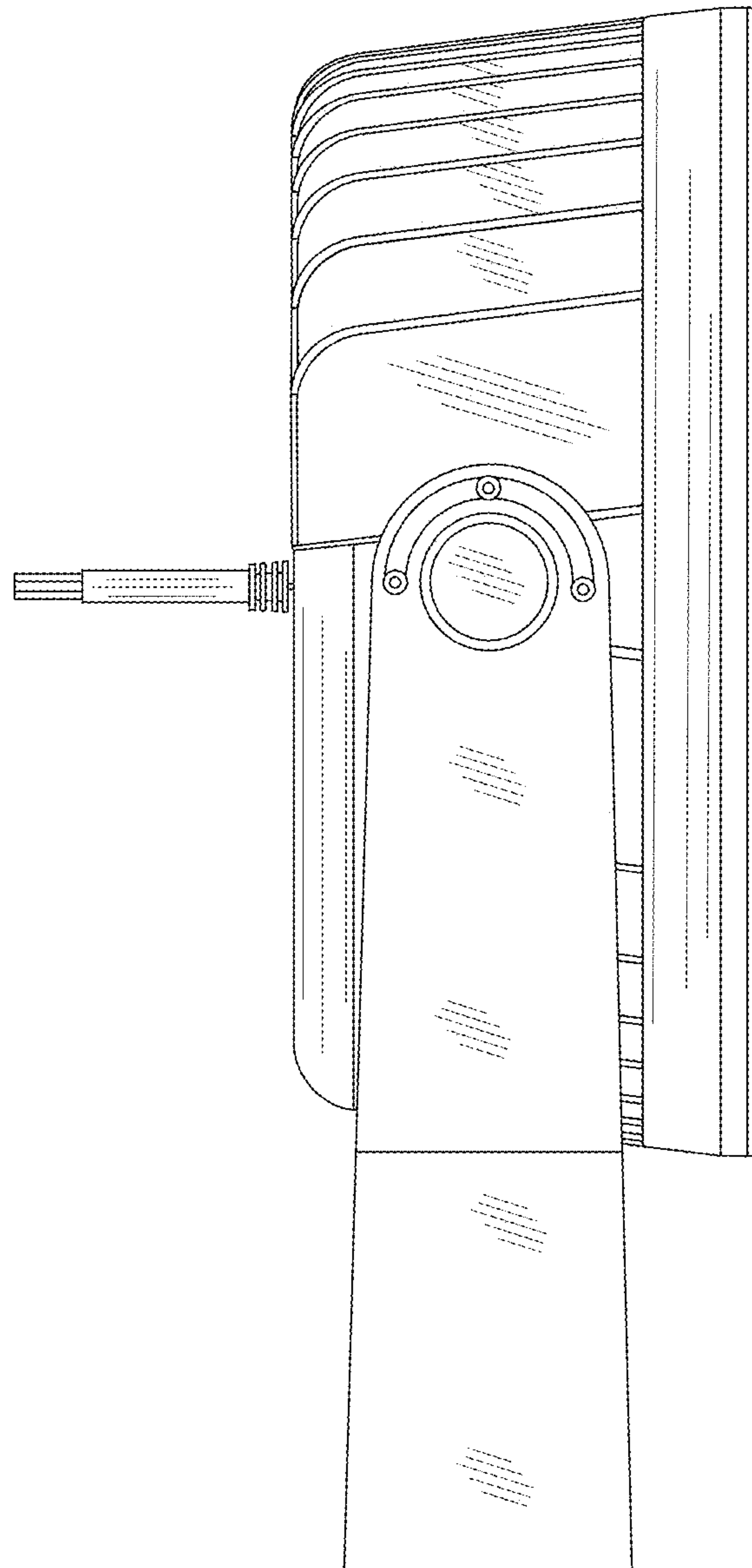


Fig. 5

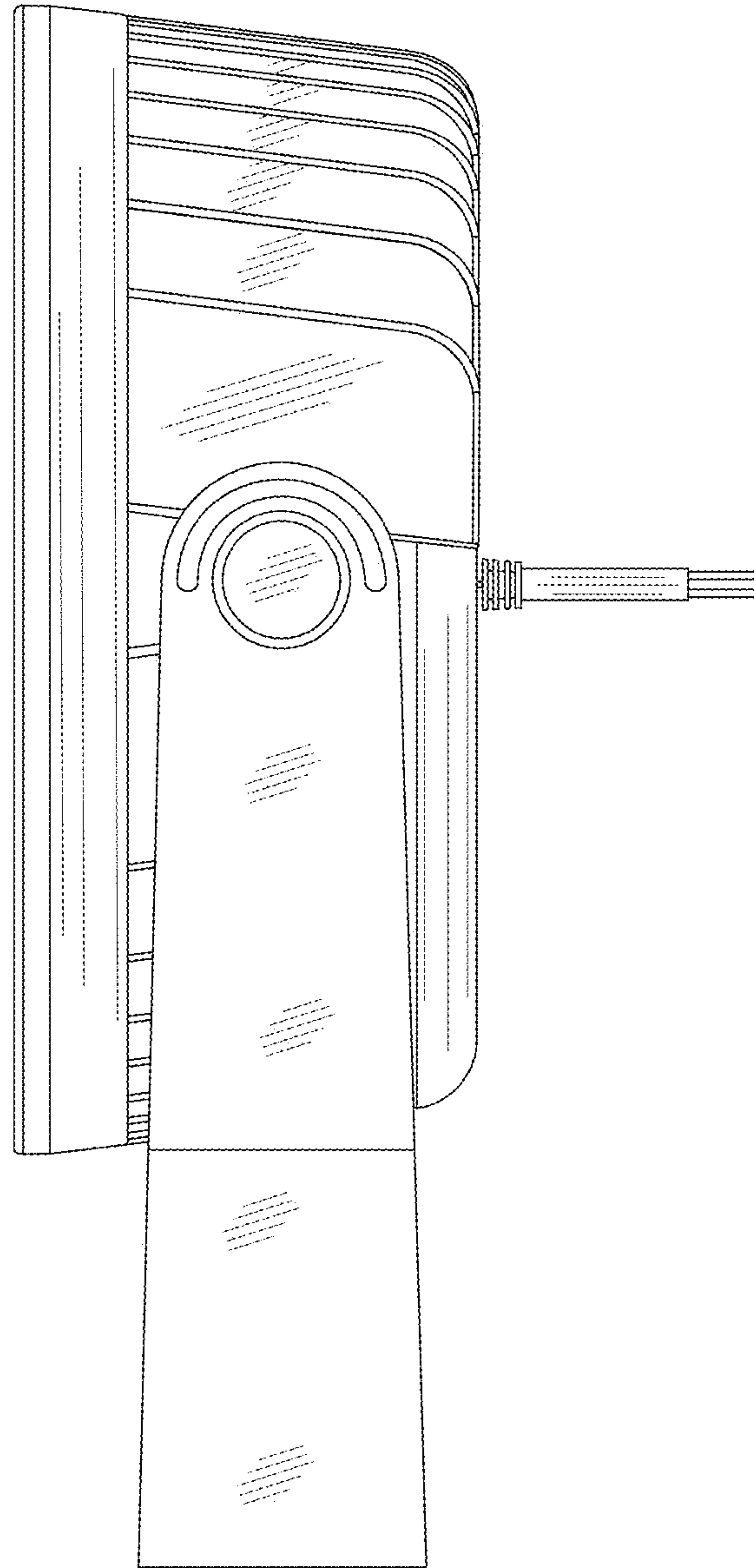


Fig. 6

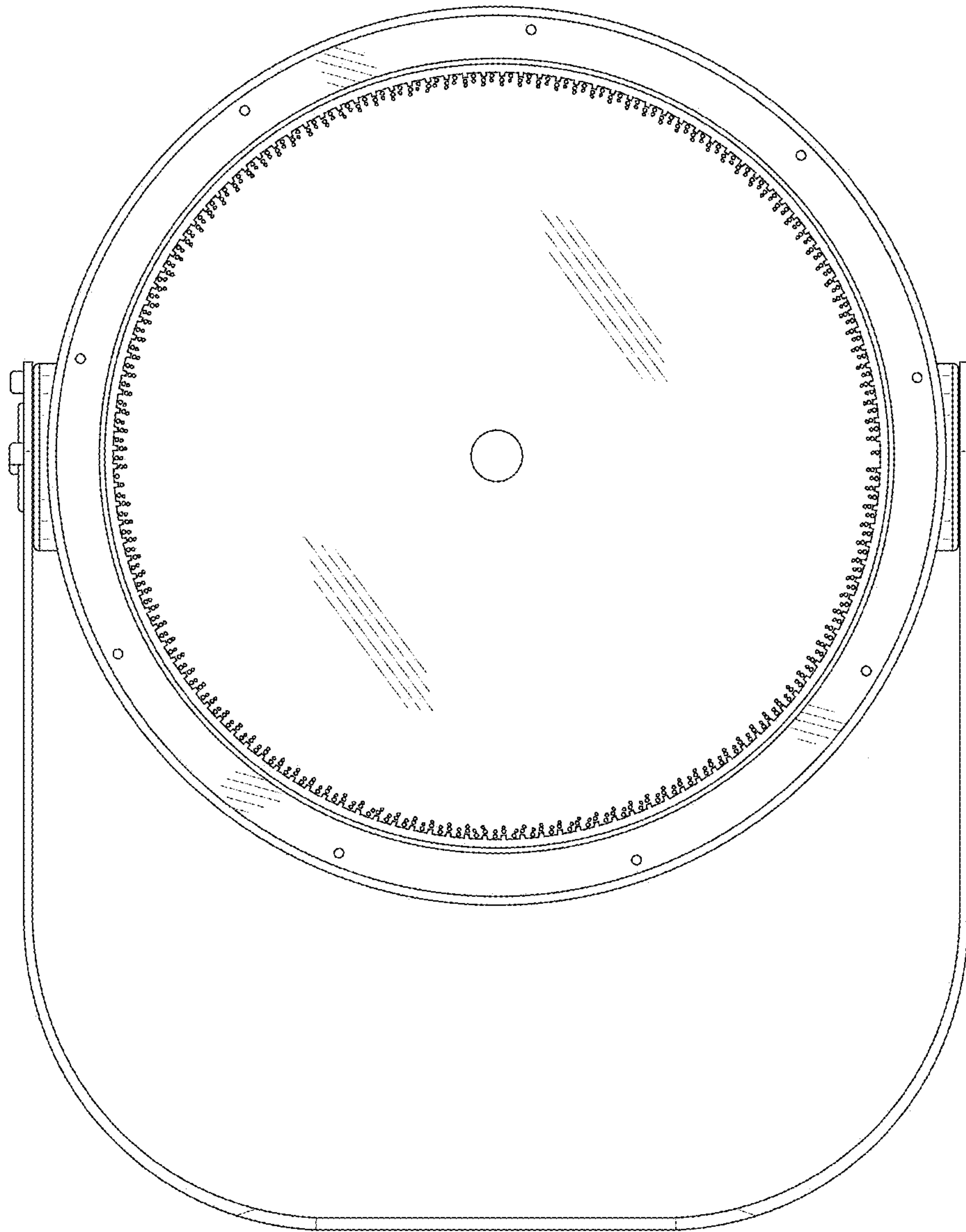


Fig. 7

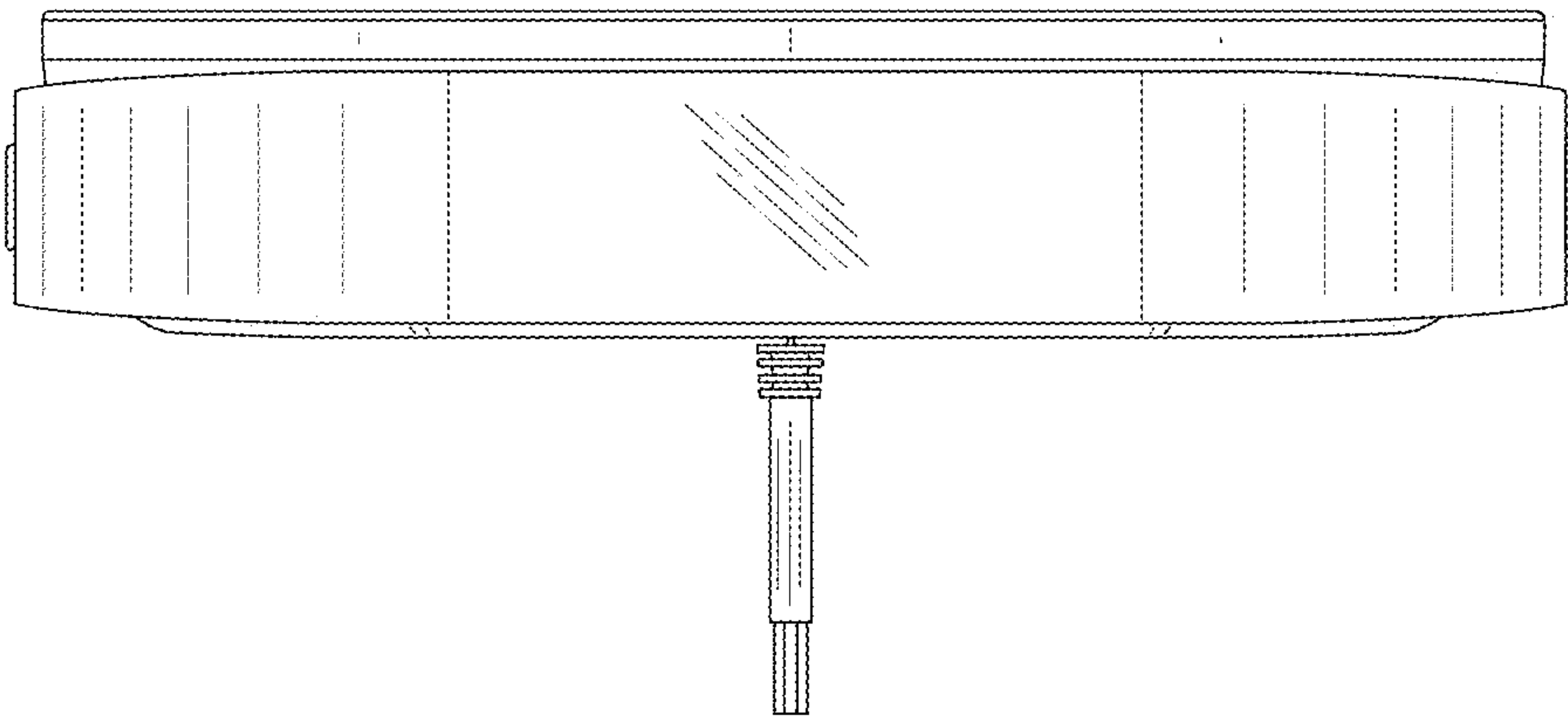


Fig. 8