



US00D910217S

(12) **United States Design Patent**
Li

(10) **Patent No.:** **US D910,217 S**

(45) **Date of Patent:** **** Feb. 9, 2021**

(54) **LED CAR HEADLAMP**

(71) Applicant: **SHENZHEN SANGSHEN
E-COMMERCE CO., LTD.**, Shenzhen
(CN)

(72) Inventor: **Chenghao Li**, Shenzhen (CN)

(73) Assignee: **SHENZHEN SANGSHEN
E-COMMERCE CO., LTD.**, Shenzhen
(CN)

(**) Term: **15 Years**

(21) Appl. No.: **29/711,831**

(22) Filed: **Nov. 4, 2019**

(51) **LOC (13) Cl.** **26-06**

(52) **U.S. Cl.**
USPC **D26/28**

(58) **Field of Classification Search**
USPC D26/28-36, 139
CPC F21S 48/00; F21S 48/10; F21S 48/115;
F21S 48/225; F21S 48/1233; F21S
48/1266; F21S 48/1388; F21S 48/2268;
F21V 21/04; F21V 29/004; F21W
2103/35; F21W 3/40; F21W 2102/17;
F21W 2107/30; F21W 2103/00; F21W
2103/55; F21W 2104/00; F21W 2107/13

See application file for complete search history.

(56) **References Cited**

U.S. PATENT DOCUMENTS

D720,483 S * 12/2014 Saddig D26/28
D740,984 S * 10/2015 Chen D26/28
D769,487 S * 10/2016 Ma D26/28
D769,490 S * 10/2016 Ma D26/28
D777,961 S * 1/2017 Wu D26/28

* cited by examiner

Primary Examiner — Marcus A Jackson

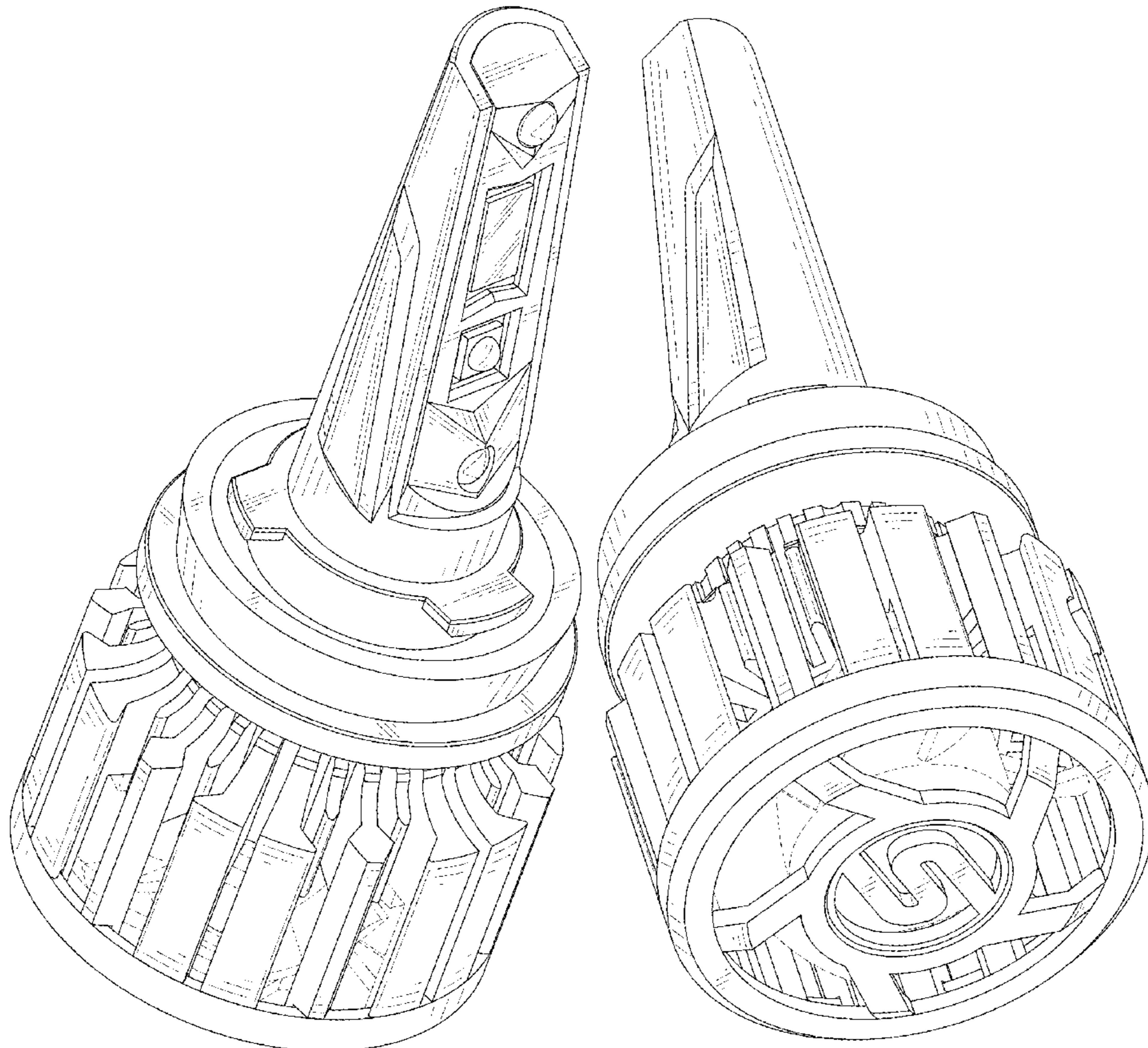
(57) **CLAIM**

The ornamental design for an LED car headlamp, as shown and described.

DESCRIPTION

FIG. 1 is a perspective view of an LED car headlamp showing my new design;
FIG. 2 is another perspective thereof;
FIG. 3 is a front elevational view thereof;
FIG. 4 is a rear elevational view thereof;
FIG. 5 is a left side elevational view thereof;
FIG. 6 is a right side elevational view thereof;
FIG. 7 is a top plan view thereof; and,
FIG. 8 is a bottom plan view thereof.
The broken lines in the drawings depict portions of the LED car headlamp that form no part of the claimed design.

1 Claim, 8 Drawing Sheets



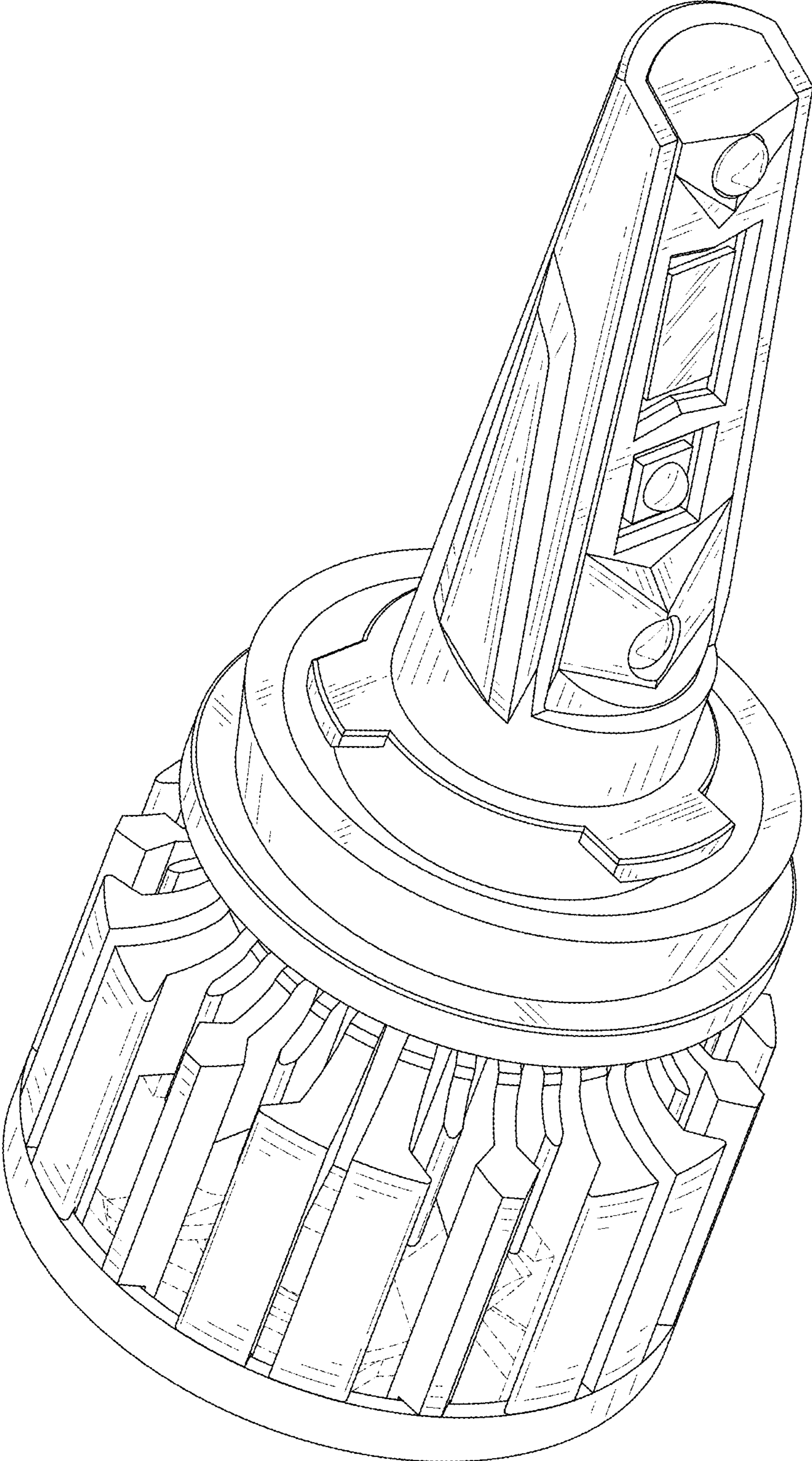


FIG. 1

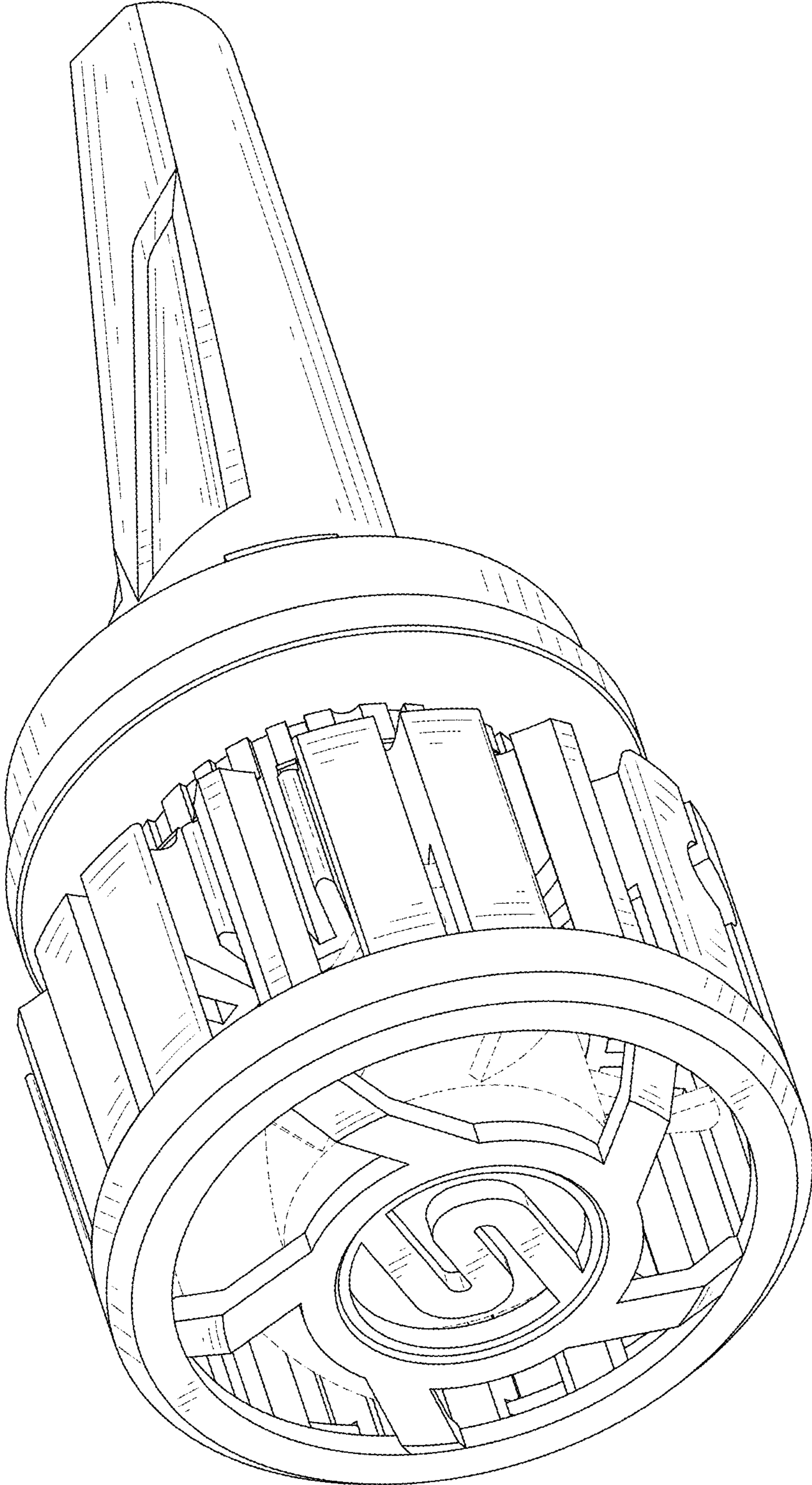


FIG. 2

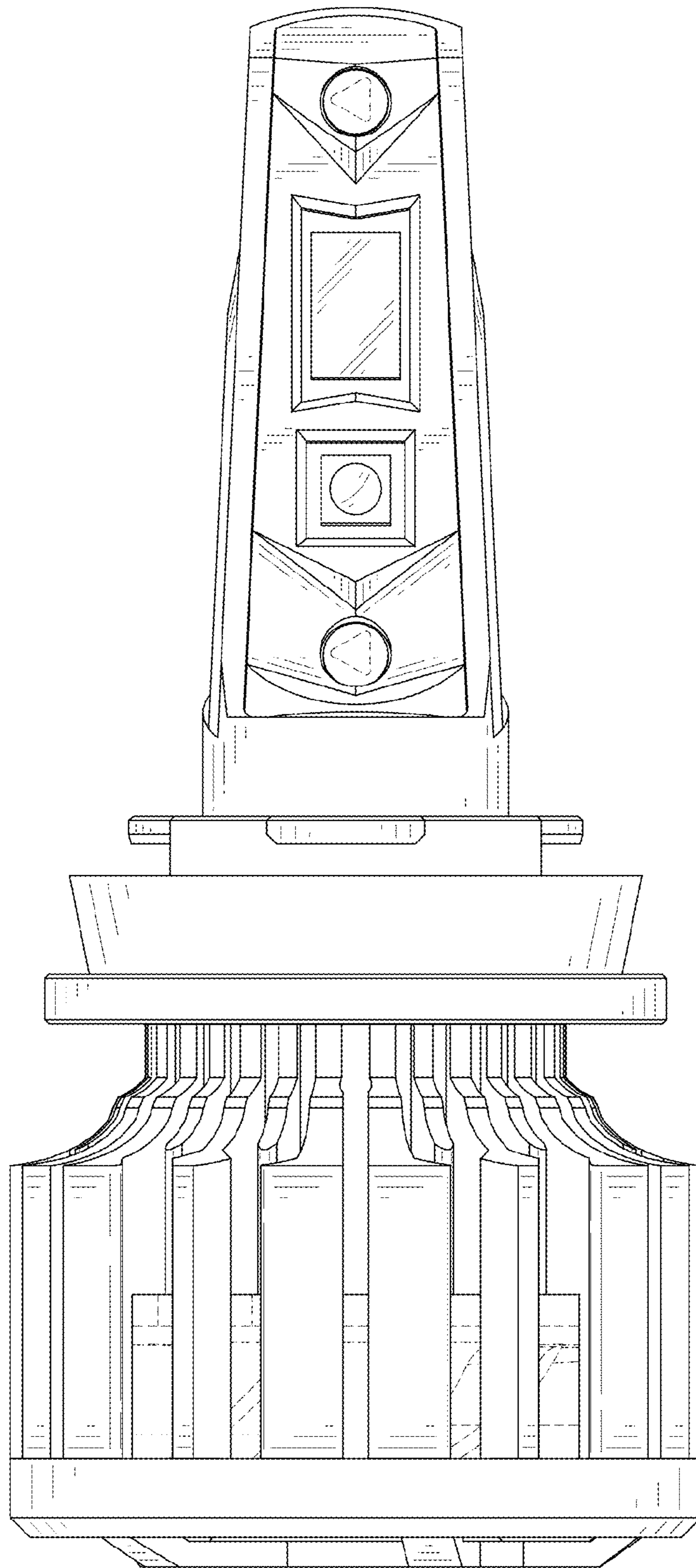


FIG. 3

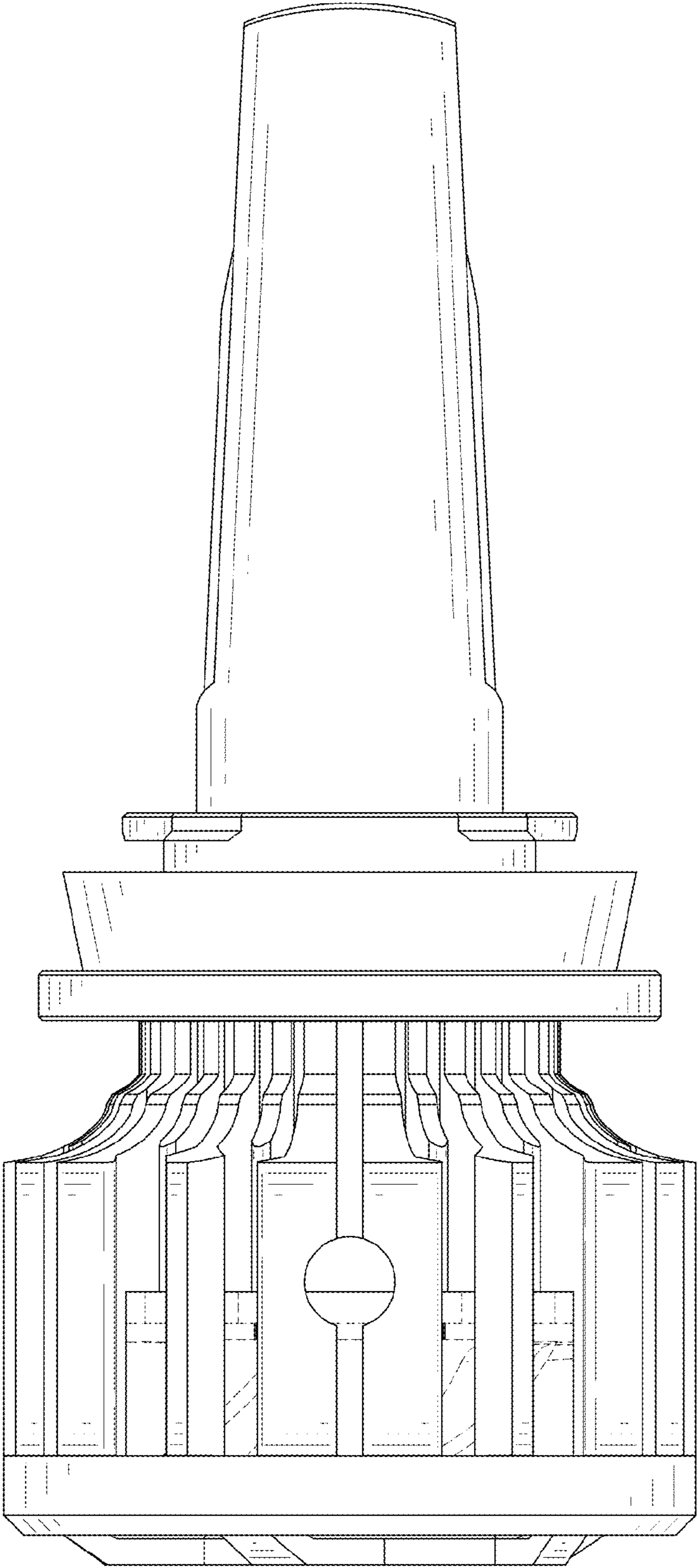


FIG. 4

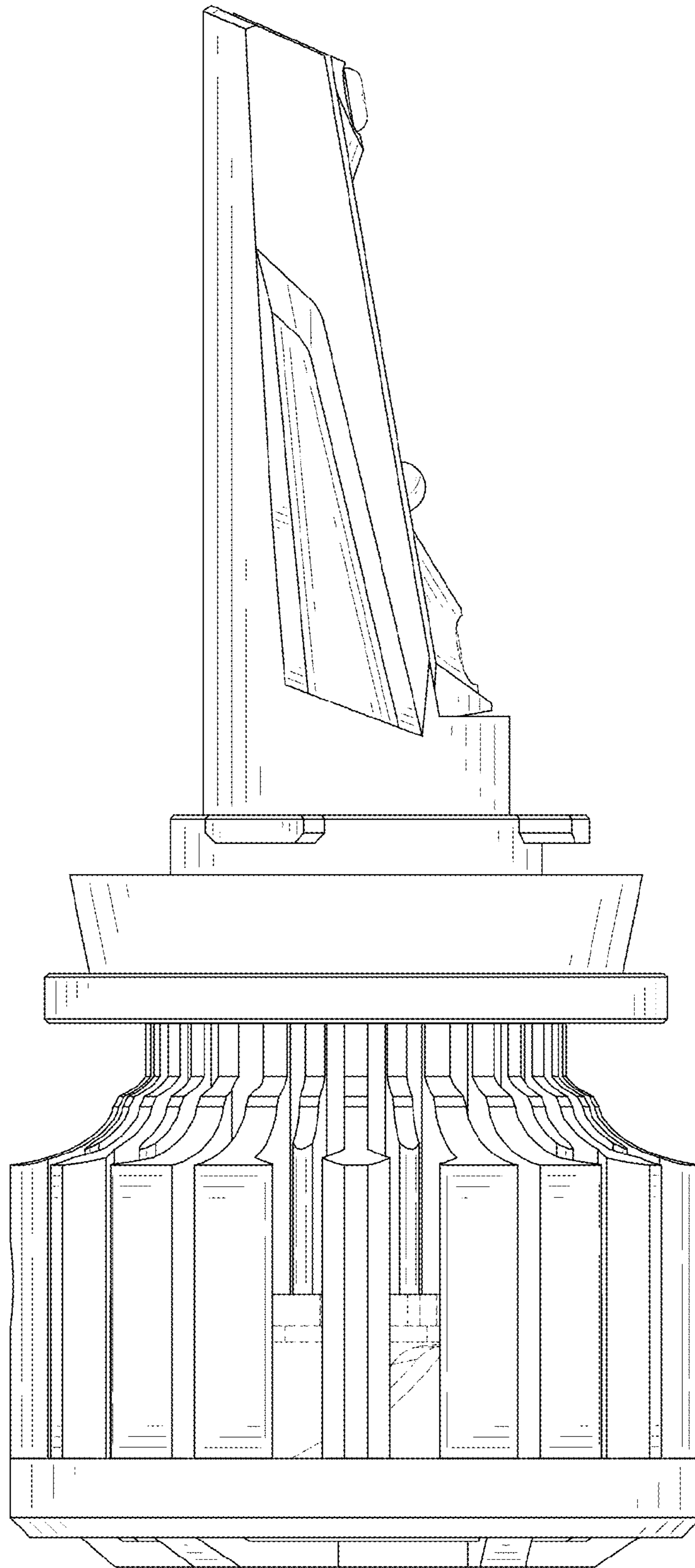


FIG. 5

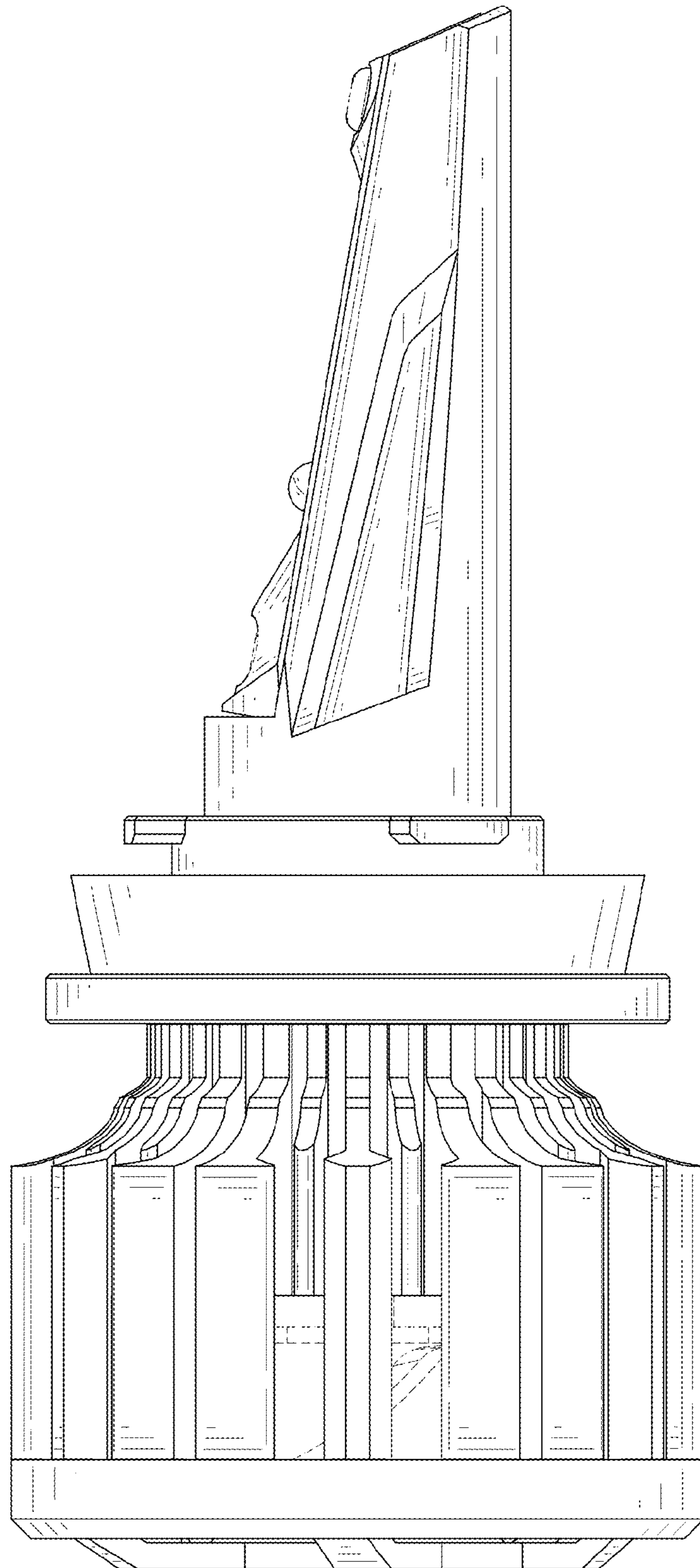


FIG. 6

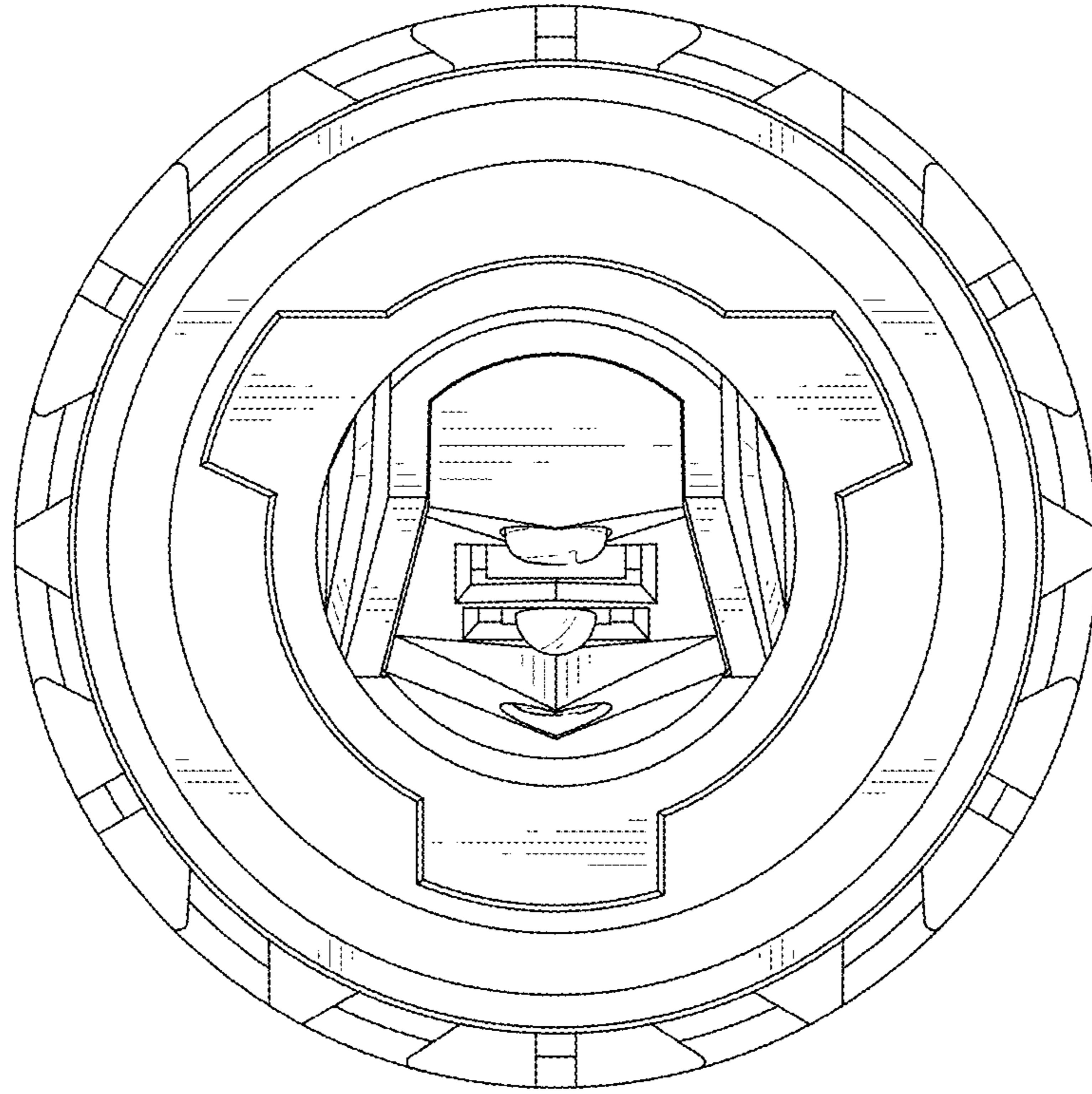


FIG. 7

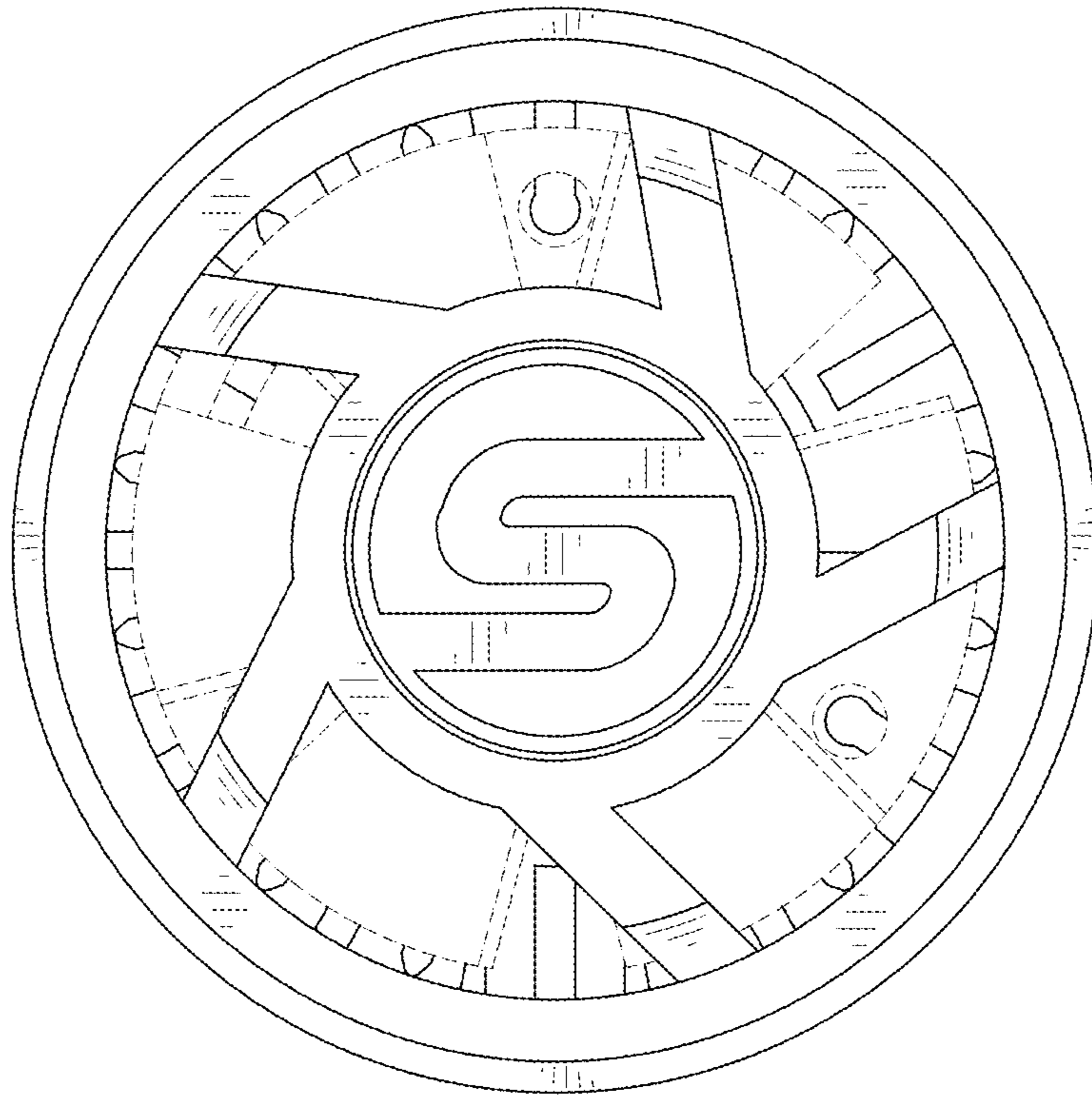


FIG. 8