



US00D910216S

(12) **United States Design Patent**
Liu

(10) **Patent No.:** **US D910,216 S**

(45) **Date of Patent:** **** Feb. 9, 2021**

(54) **ICICLE LIGHT**

(71) Applicant: **Zina Liu**, Xinmi (CN)

(72) Inventor: **Zina Liu**, Xinmi (CN)

(**) Term: **15 Years**

(21) Appl. No.: **29/747,993**

(22) Filed: **Aug. 26, 2020**

(51) **LOC (13) Cl.** **26-03**

(52) **U.S. Cl.**
USPC **D26/25**

(58) **Field of Classification Search**
USPC D26/25
CPC F21S 4/00; F21S 4/15; F21S 2/00; F21V
21/08
See application file for complete search history.

(56) **References Cited**

U.S. PATENT DOCUMENTS

D351,915 S *	10/1994	Hermanson	D26/25
D413,173 S *	8/1999	Mount	D26/25
D439,991 S *	4/2001	Wong	D26/25
6,309,087 B1 *	10/2001	Huang	F21S 4/10 362/249.15
D452,745 S *	1/2002	Chang	D26/25
D453,384 S *	2/2002	Chang	D26/25

D515,225 S *	2/2006	Rau	D26/25
D576,070 S	9/2008	Tsai		
D691,295 S *	10/2013	Chappey	D26/25
D806,915 S	1/2018	Burke		
D889,696 S *	7/2020	Cao	D26/25

* cited by examiner

Primary Examiner — Brian N. Vinson

(74) *Attorney, Agent, or Firm* — ScienBiziP, P.C.

(57) **CLAIM**

The ornamental design for an icicle light, as shown and described.

DESCRIPTION

FIG. 1 is a front perspective view of an icicle light, showing my design.

FIG. 2 is another front perspective view thereof.

FIG. 3 is a front elevation view thereof.

FIG. 4 is a rear elevation view thereof.

FIG. 5 is a left side elevation view thereof.

FIG. 6 is a right side elevation view thereof.

FIG. 7 is a top plan view thereof.

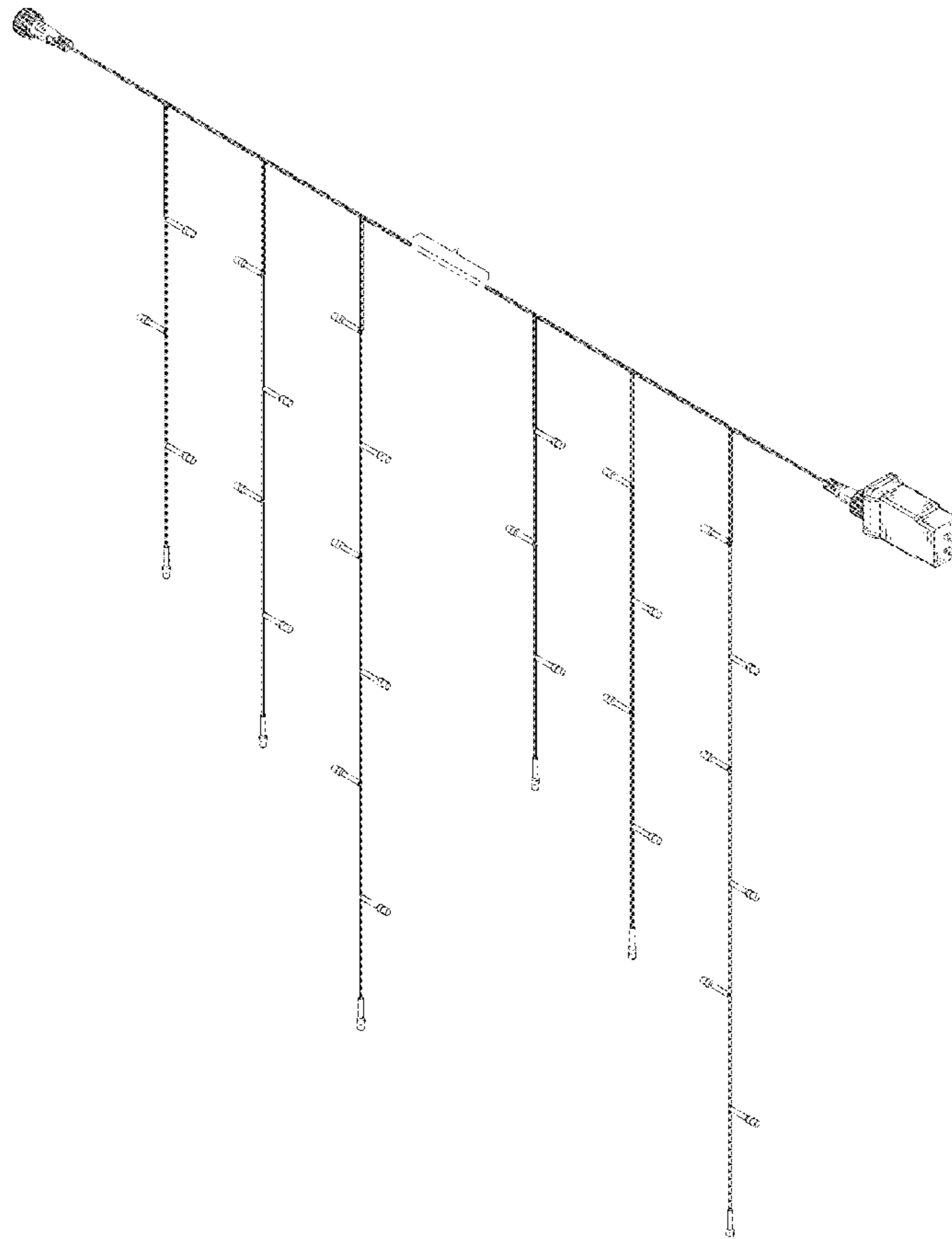
FIG. 8 is a bottom plan view thereof.

FIG. 9 is an enlarged view of an area labeled 9 in FIG. 2; and,

FIG. 10 is an enlarged view of an area labeled 10 in FIG. 3.

The broken lines in the drawings depict environmental structure and boundaries and form no part of the claimed design.

1 Claim, 10 Drawing Sheets



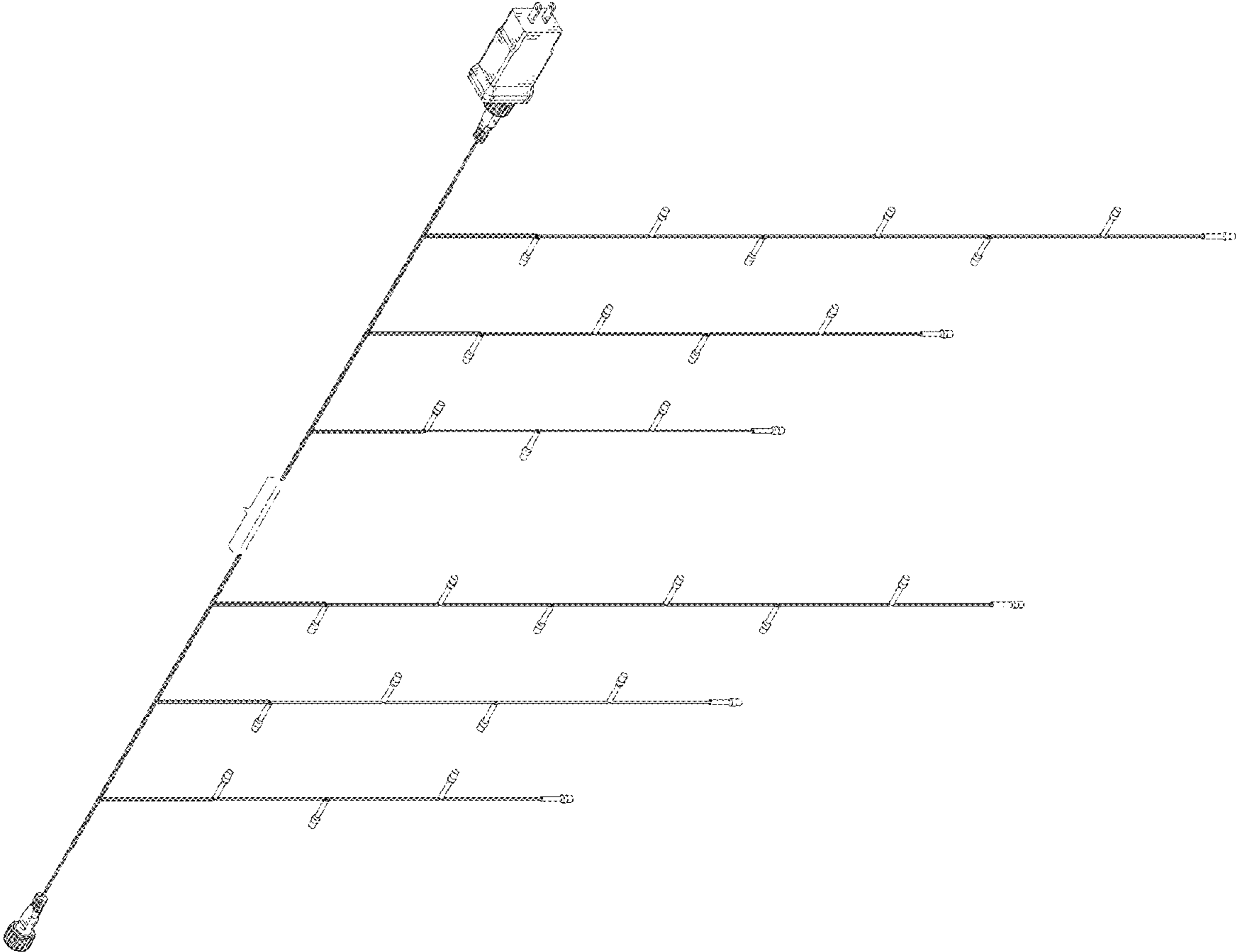


FIG. 1

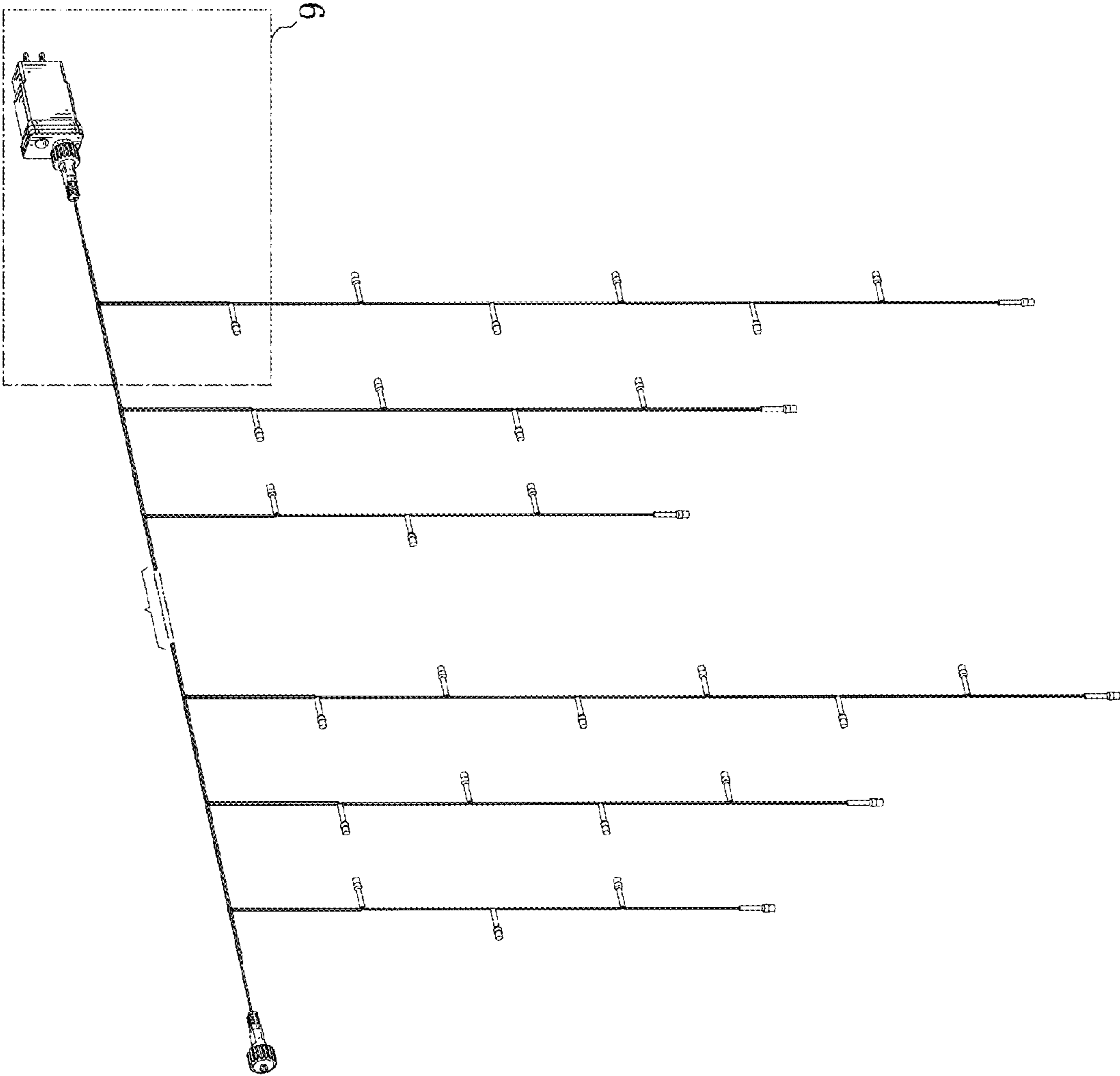


FIG. 2

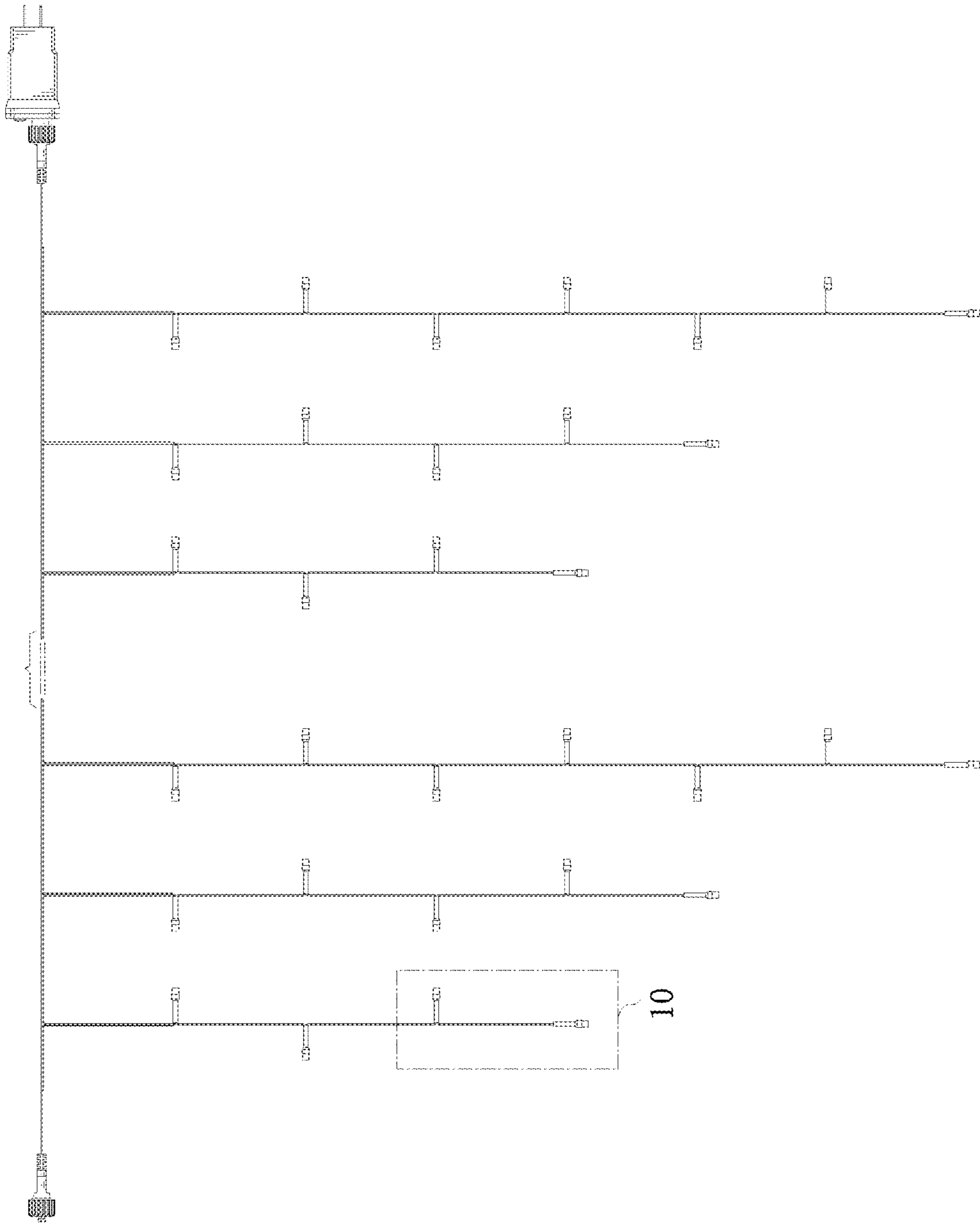


FIG. 3

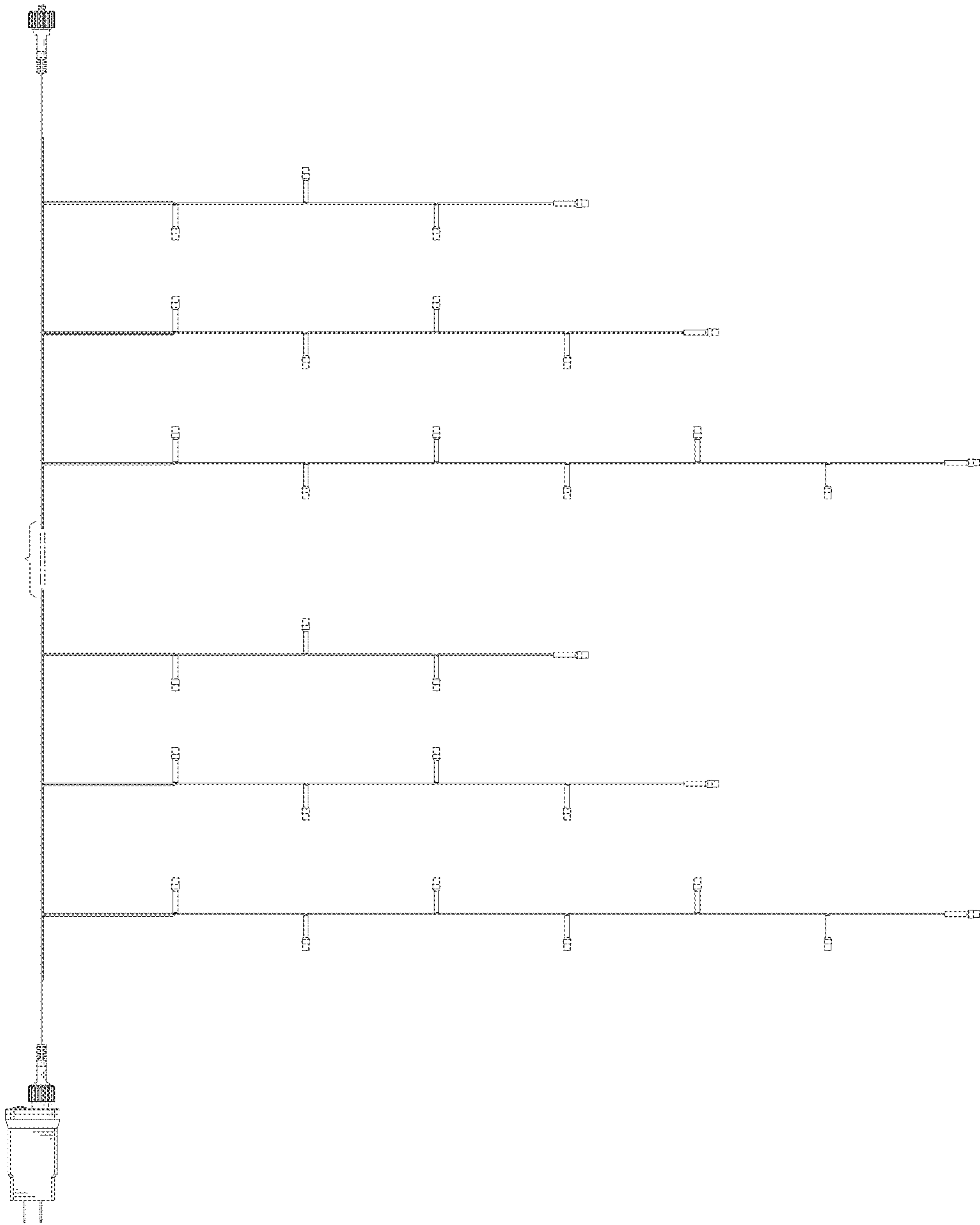


FIG. 4

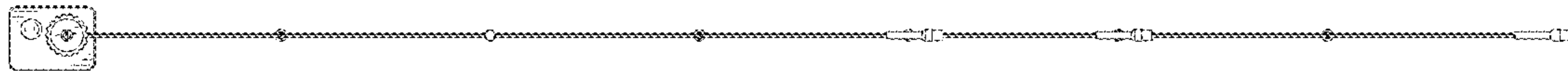


FIG. 5

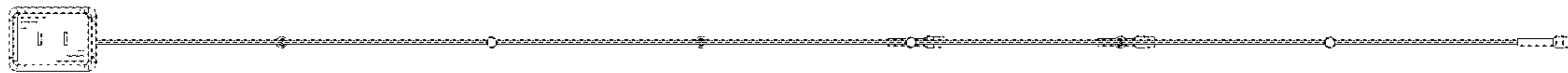


FIG. 6

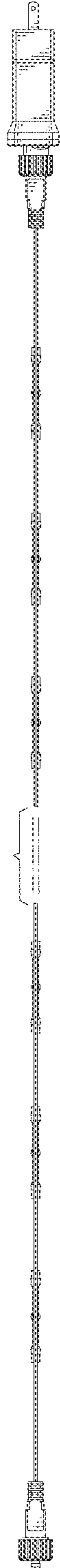


FIG. 7

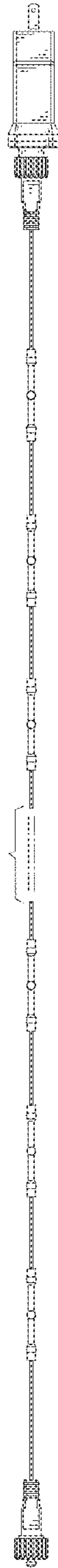


FIG. 8

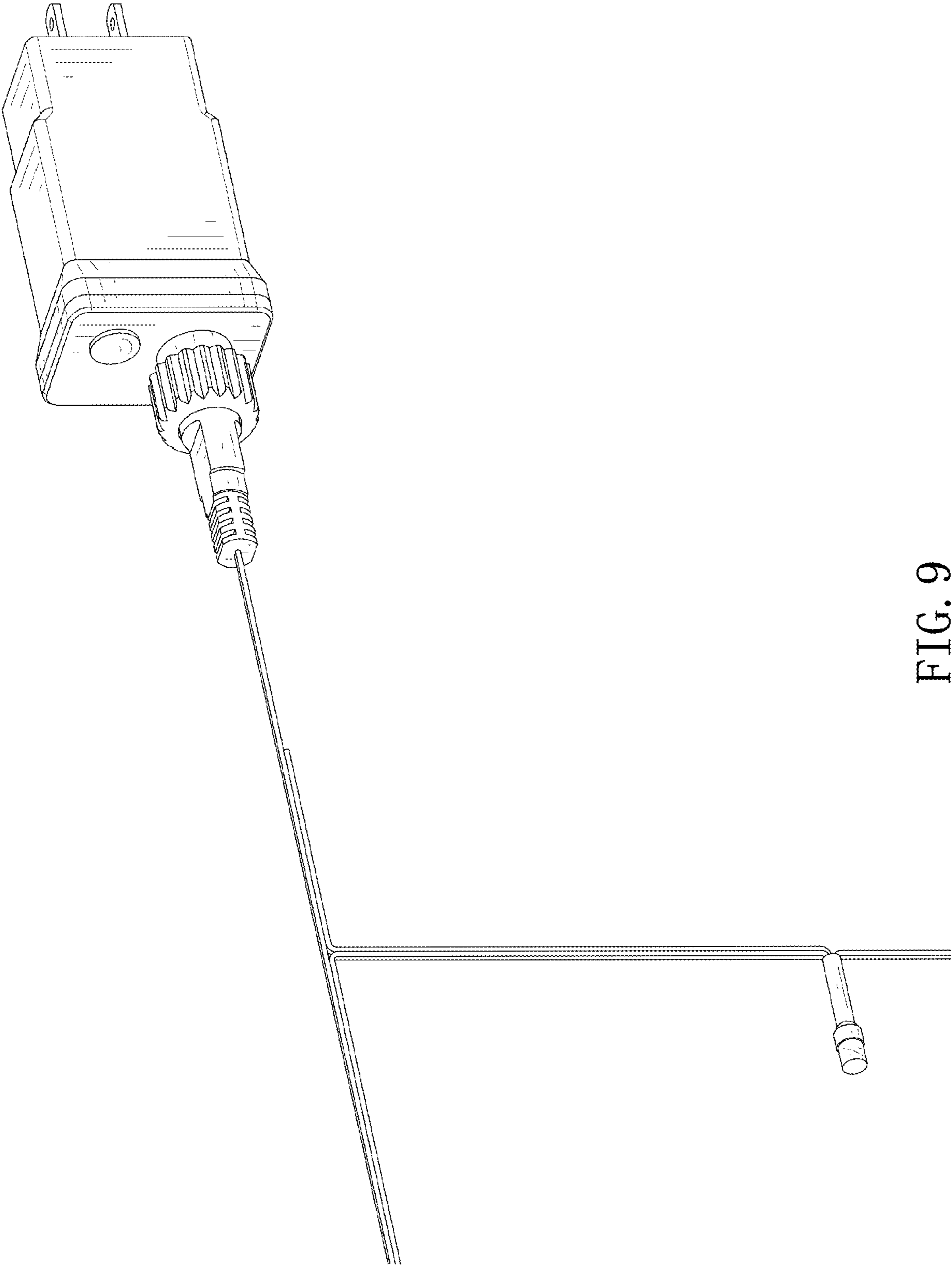


FIG. 9



FIG. 10