

US00D910214S

(12) **United States Design Patent** (10) **Patent No.:** **US D910,214 S**
Wang et al. (45) **Date of Patent:** **** Feb. 9, 2021**

(54) **LED LAMP**

5/48; H01J 5/50; H01J 19/54; F21V 5/00;
F21K 9/00; F21K 13/00

(71) Applicant: **JIAXING SUPER LIGHTING
ELECTRIC APPLIANCE CO., LTD,**
Zhejiang (CN)

See application file for complete search history.

(72) Inventors: **Ming-Bin Wang**, Zhejiang (CN); **Tao
Jiang**, Zhejiang (CN); **Da-Hong Chen**,
Zhejiang (CN); **Tian-Yang Xi**, Zhejiang
(CN)

(56) **References Cited**

U.S. PATENT DOCUMENTS

(73) Assignee: **JIAXING SUPER LIGHTING
ELECTRIC APPLIANCE CO., LTD,**
Zhejiang (CN)

D542,943 S *	5/2007	Wang	D26/2
D546,980 S *	7/2007	Lo	D26/2
D549,854 S *	8/2007	Takahashi	D26/2
D566,300 S *	4/2008	Lo	D26/2
D582,578 S *	12/2008	Tsai	D26/2
D594,995 S *	6/2009	Komar	D26/2

* cited by examiner

(**) Term: **15 Years**

Primary Examiner — Marcus A Jackson

(21) Appl. No.: **29/730,387**

(74) *Attorney, Agent, or Firm* — Andrew M. Calderon;
Roberts Calderon Safran & Cole, P.C.

(22) Filed: **Apr. 3, 2020**

Related U.S. Application Data

(62) Division of application No. 29/649,032, filed on May
25, 2018, now Pat. No. Des. 884,221.

(57) **CLAIM**

The ornamental design for an LED lamp, as shown and
described.

(30) **Foreign Application Priority Data**

Jan. 16, 2018 (CN) 2018 3 0019716
Jan. 16, 2018 (CN) 2018 3 0020004
Jan. 16, 2018 (CN) 2018 3 0020005

DESCRIPTION

(51) **LOC (13) Cl.** **26-04**

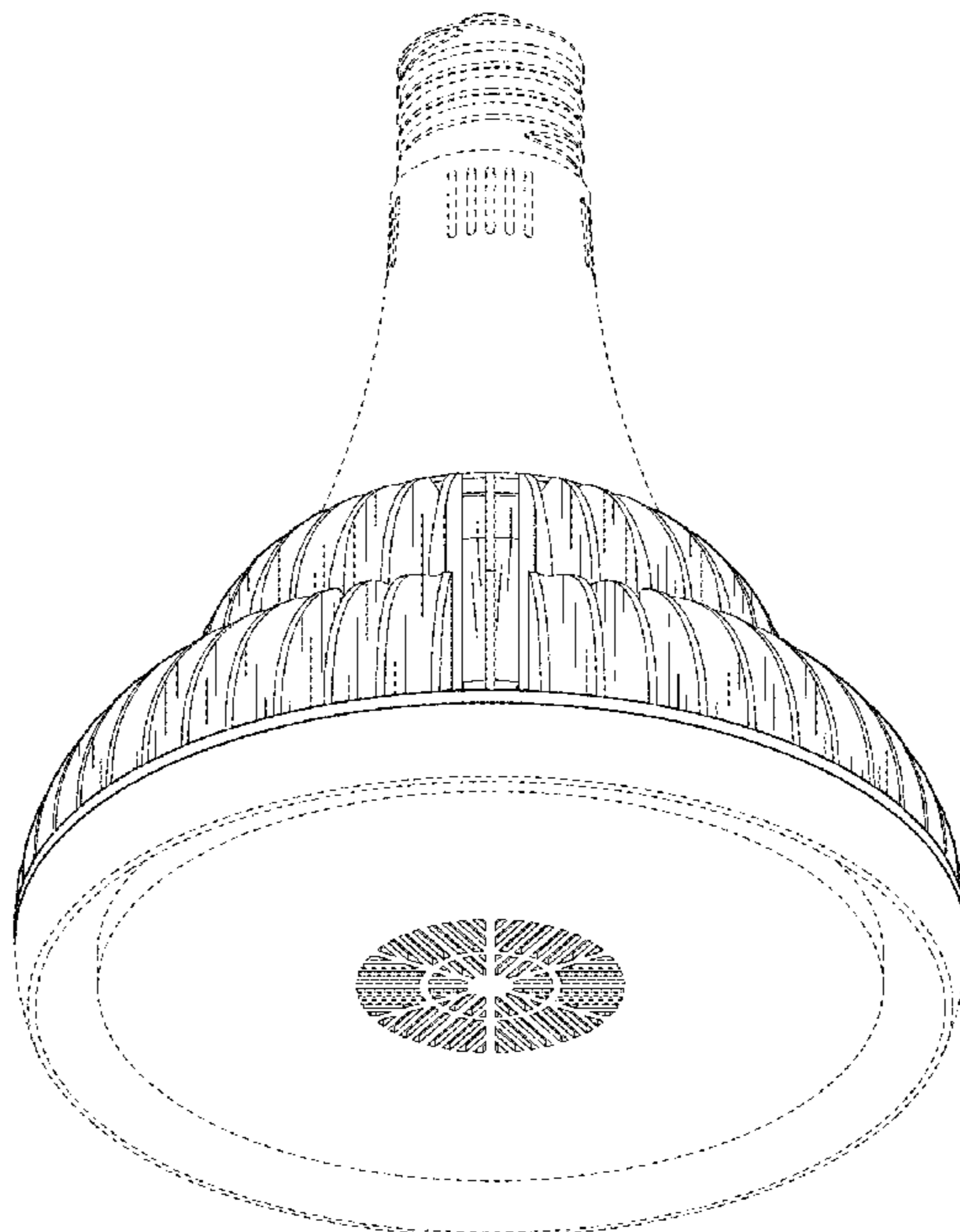
(52) **U.S. Cl.**
USPC **D26/2**

(58) **Field of Classification Search**
USPC D26/1-10
CPC H01R 5/00; H01R 13/46; H01R 13/514;
H01R 31/048; H01R 31/02; H01J 5/00;
H01J 5/16; H01J 1/02; H01J 15/00; H01J

FIG. 1 is a perspective view of a first embodiment of an LED
lamp showing our new design;
FIG. 2 is a front view of FIG. 1;
FIG. 3 is a rear view of FIG. 1;
FIG. 4 is a left side view of FIG. 1;
FIG. 5 is a right side view of FIG. 1;
FIG. 6 is a top view of FIG. 1; and,
FIG. 7 is a bottom view of FIG. 1.

The broken lines in the figures form no part of the claimed
design.

1 Claim, 7 Drawing Sheets



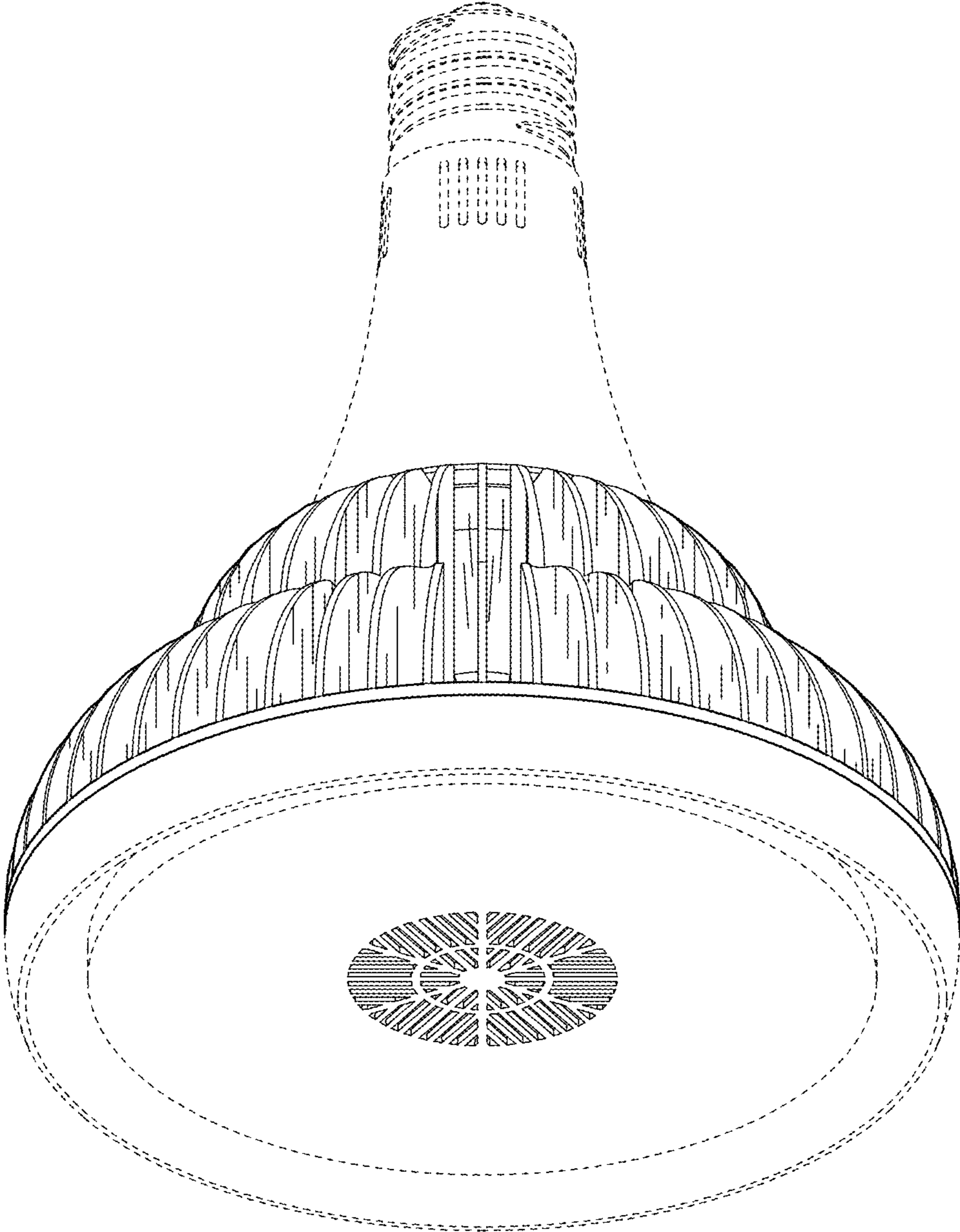


FIG. 1

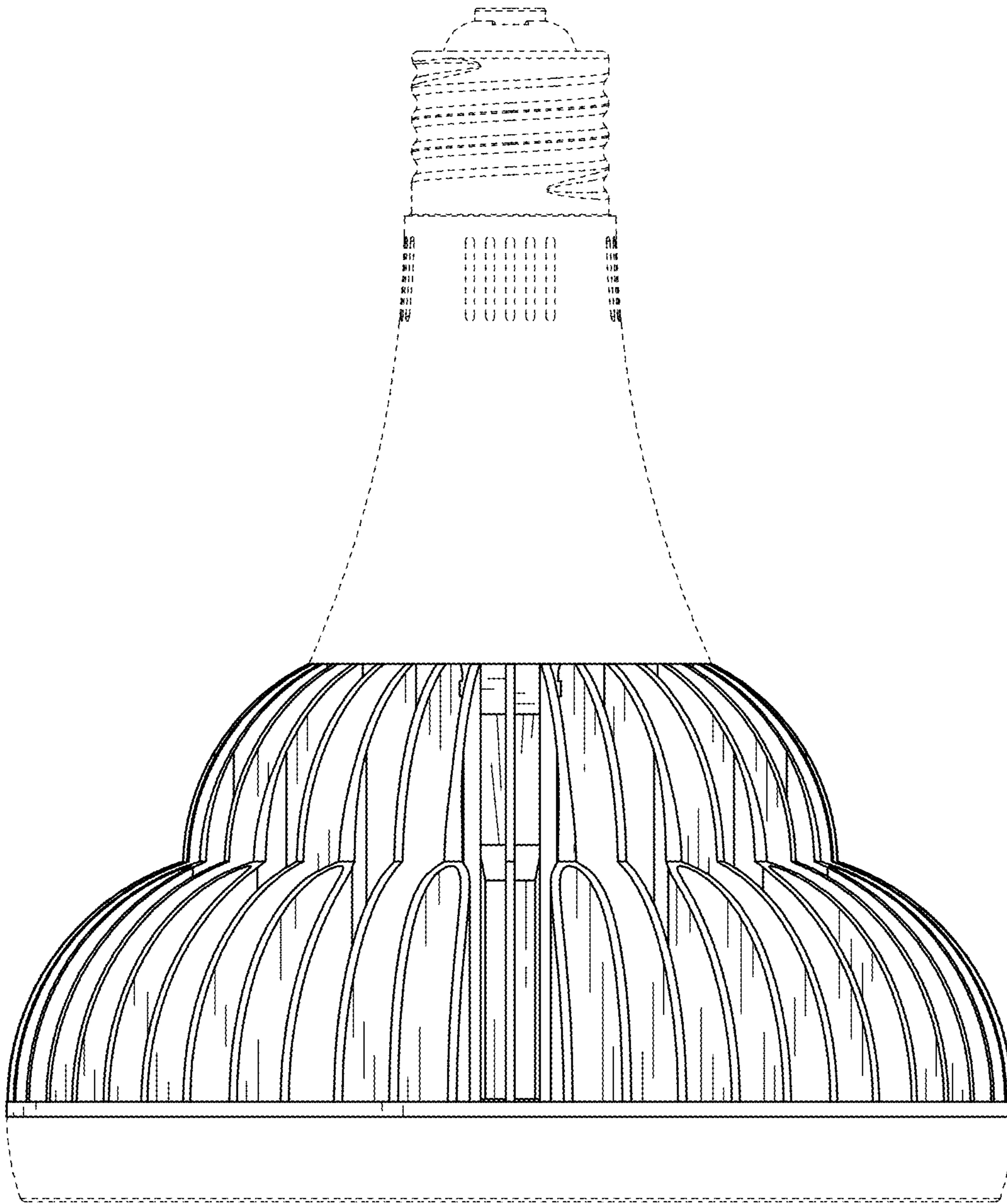


FIG. 2

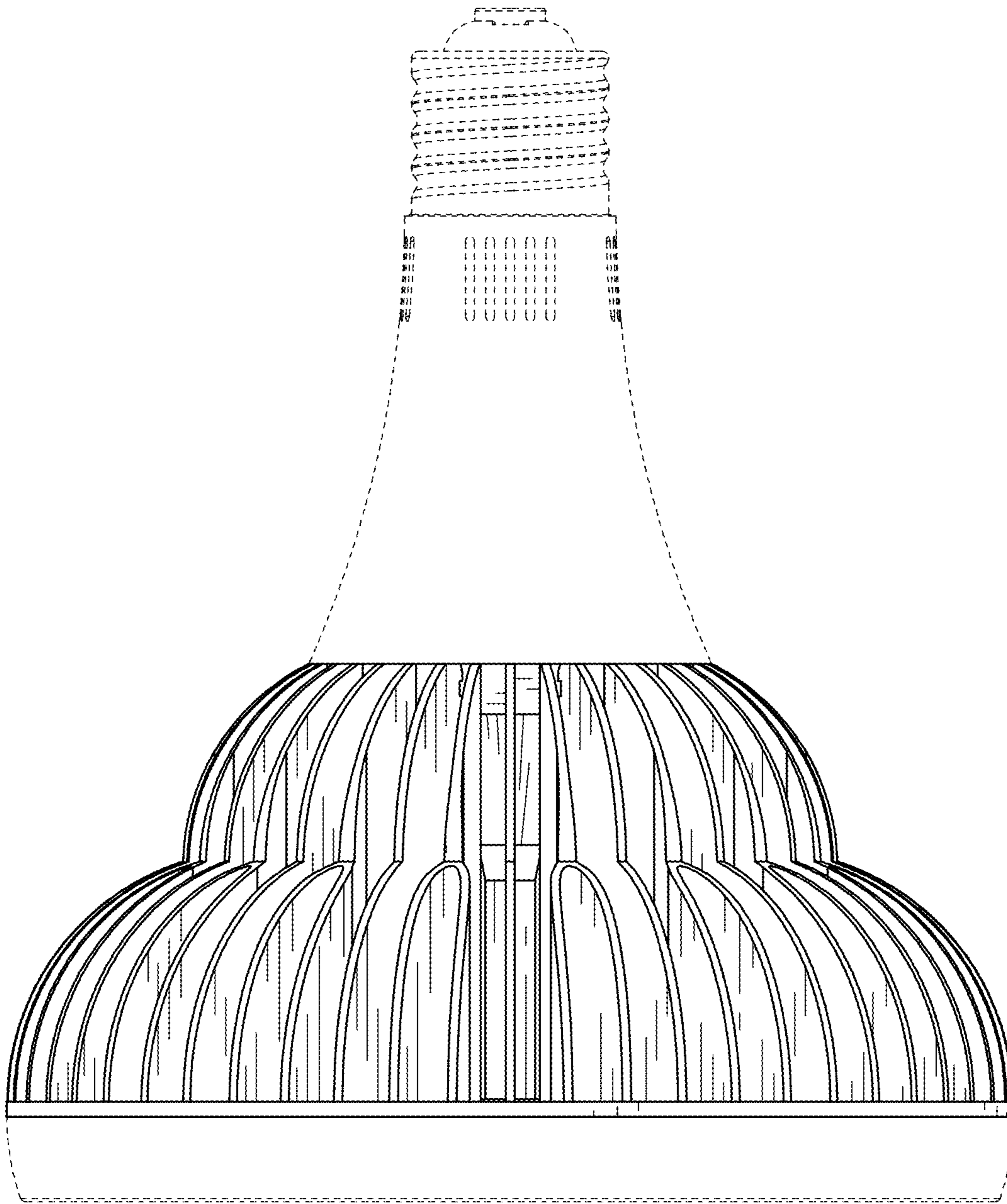


FIG.3

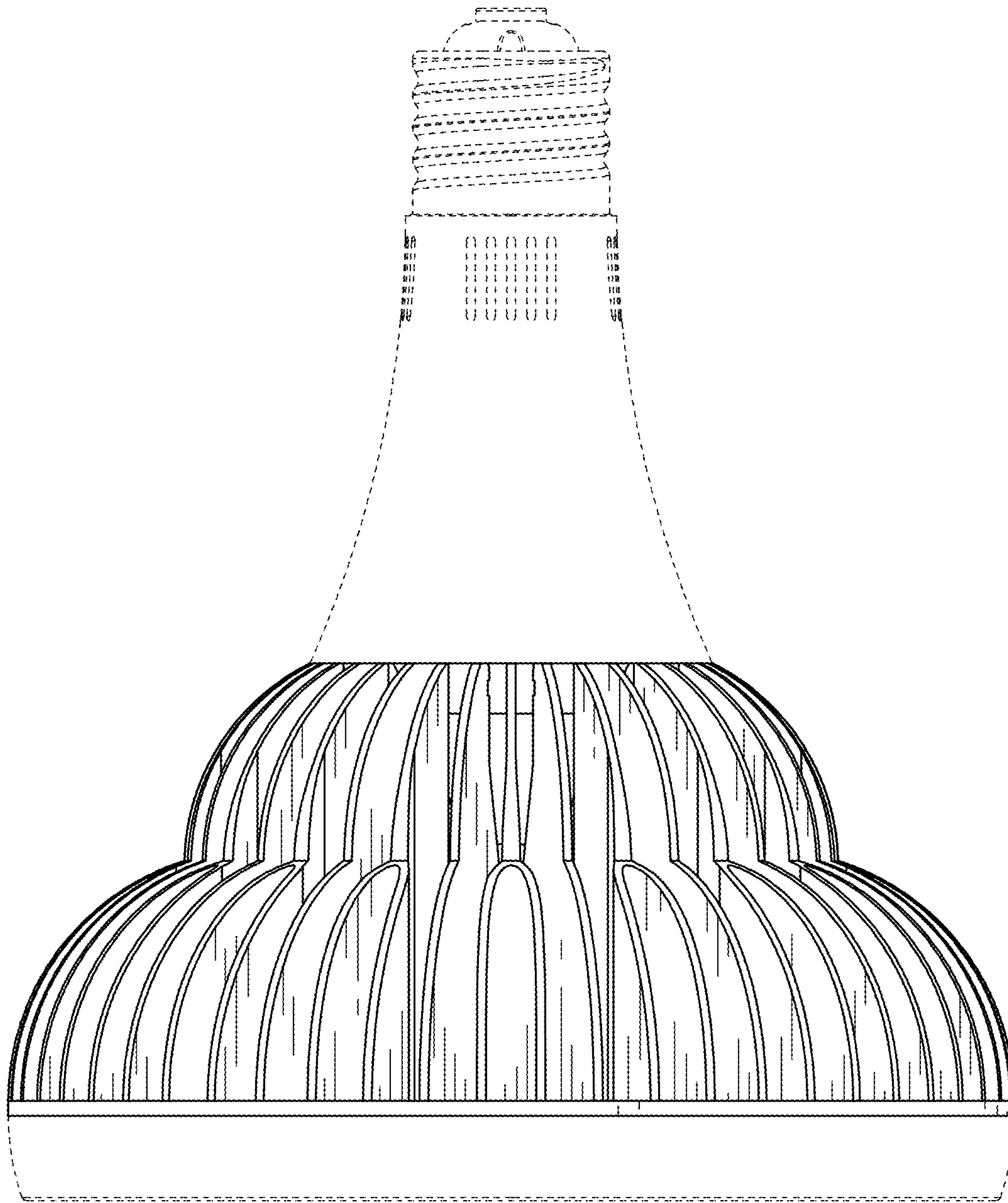


FIG.4

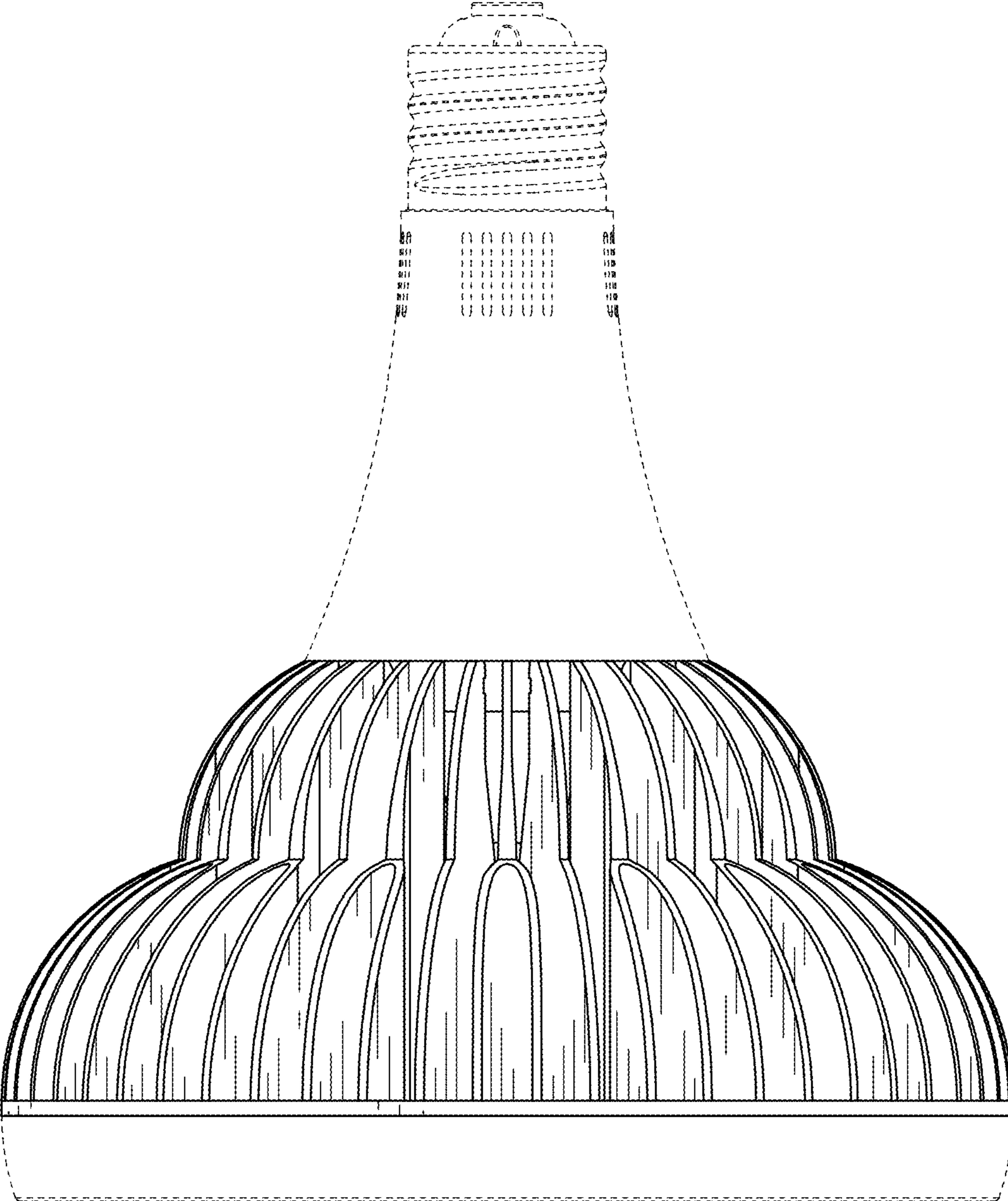


FIG. 5

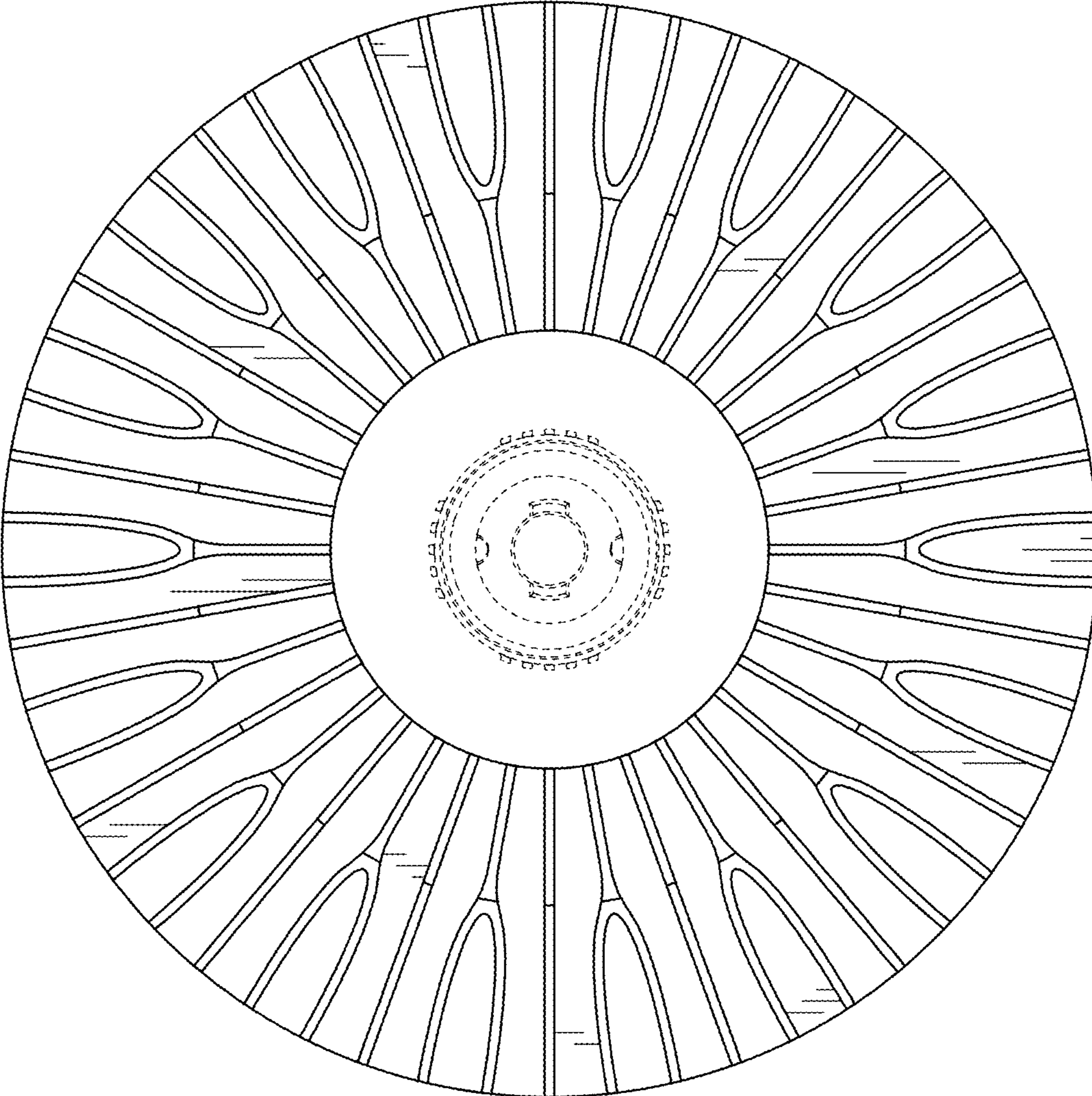


FIG.6

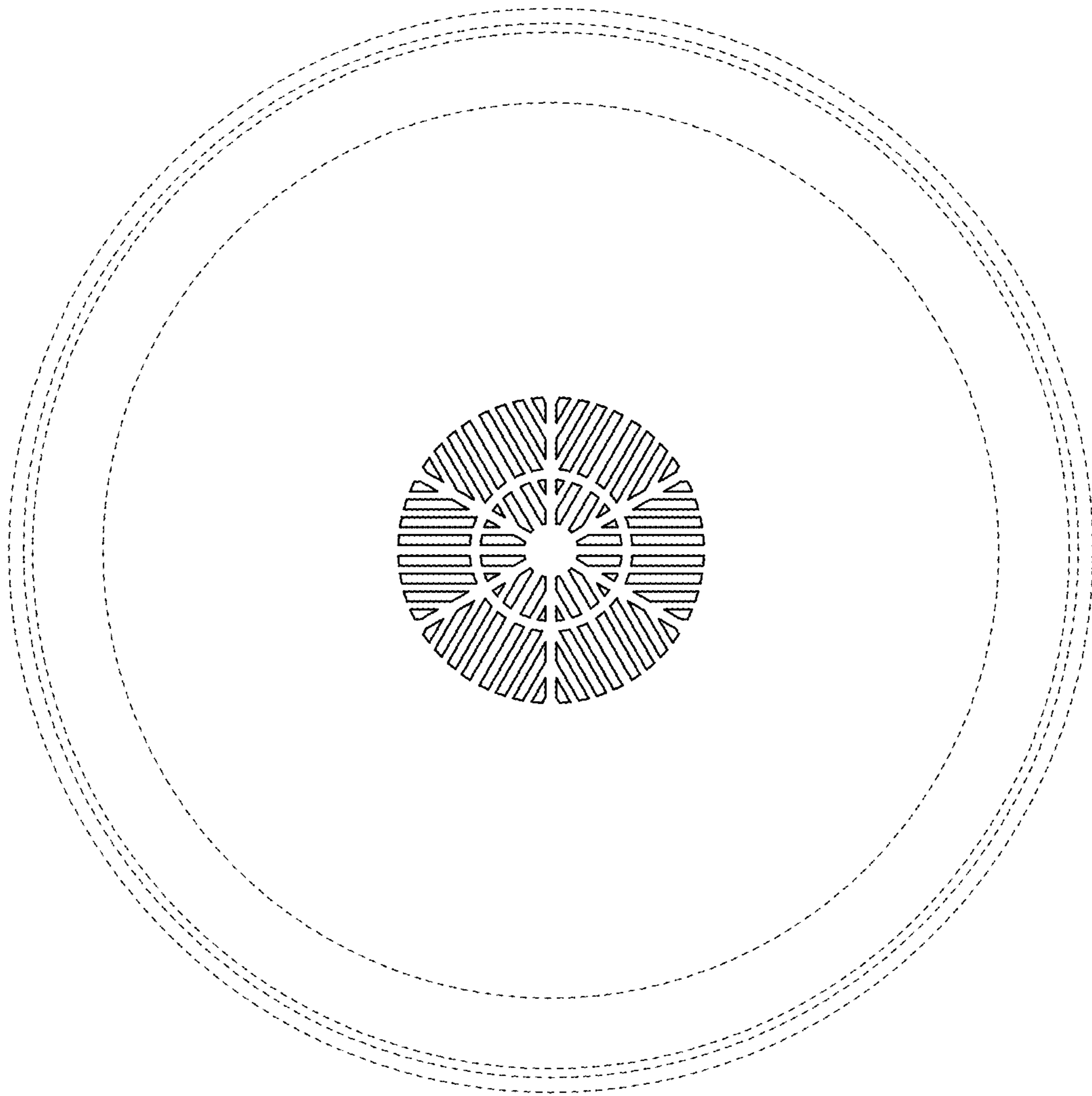


FIG. 7