



US00D910212S

(12) **United States Design Patent** (10) **Patent No.:** **US D910,212 S**
Singh (45) **Date of Patent:** **** Feb. 9, 2021**

(54) **LIGHT BULB**

(71) Applicant: **Ekamdeep Singh**, Indianapolis, IN (US)
(72) Inventor: **Ekamdeep Singh**, Indianapolis, IN (US)
(**) Term: **15 Years**
(21) Appl. No.: **29/715,425**
(22) Filed: **Dec. 2, 2019**
(51) **LOC (13) Cl.** **26-04**
(52) **U.S. Cl.**
USPC **D26/2**
(58) **Field of Classification Search**
USPC D26/1-10
CPC H01R 5/00; H01R 13/46; H01R 13/514;
H01R 31/048; H01R 31/02; H01J 5/00;
H01J 5/16; H01J 1/02; H01J 15/00; H01J
5/48; H01J 5/50; H01J 19/54; F21V 5/00;
F21K 9/00; F21K 13/00
See application file for complete search history.

(56) **References Cited**

U.S. PATENT DOCUMENTS

D530,836 S	*	10/2006	Johnson	D26/2
D545,457 S	*	6/2007	Chen	D26/2
D551,784 S	*	9/2007	Krieglmeyer	D26/2
D572,385 S	*	7/2008	Mazzochette	D26/2
D597,225 S	*	7/2009	Yoo	D26/2
D645,996 S		9/2011	Wey et al.		
D696,437 S		12/2013	Webb et al.		
D771,845 S		11/2016	Chen et al.		
D774,216 S	*	12/2016	Zhu	D26/2

OTHER PUBLICATIONS

Sunyang Group Co., 10W G12 LED Spotlight, retrieved Nov. 23, 2019 <https://www.ecvv.com/product/4553499.html>; 3 pgs.
Philips MasterColour CDM-T, MASTERColour CDM-T 70W/830 G12 1CT/12; Datasheet, Nov. 11, 2019; 4 pgs.
Philips Lighting MasterColor CDM-Tm Elite Mini 20W/830 GU6. 5.1 CT; Datasheet, Jul. 23, 2018; 3 pgs.
Philips MasterColour CDM-TC 35W/830 G8.5 1 CT/12; Datasheet, Oct. 8, 2019, 4 pgs.

* cited by examiner

Primary Examiner — Marcus A Jackson

(74) *Attorney, Agent, or Firm* — Faegre Drinker Biddle & Reath LLP

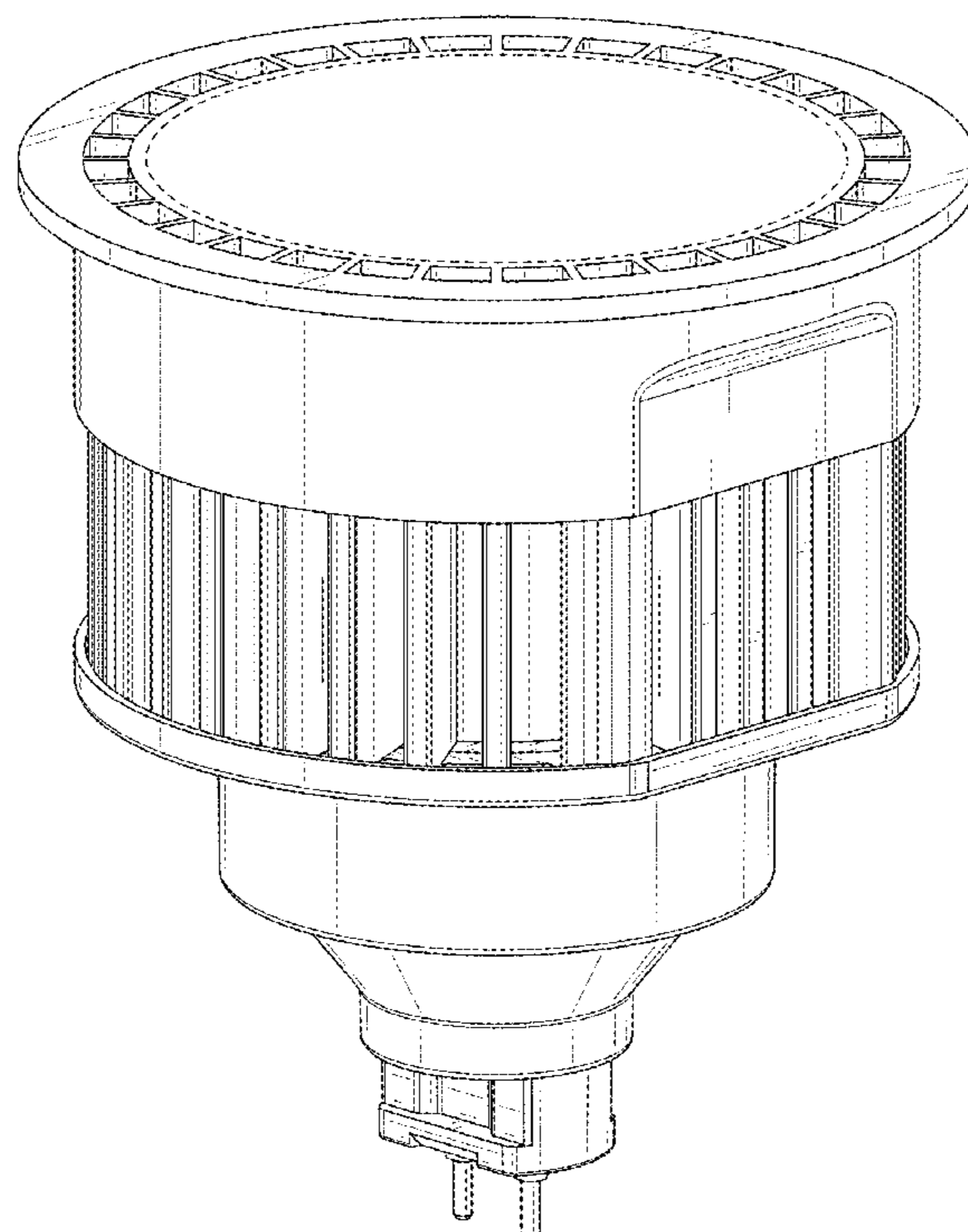
(57) **CLAIM**

The ornamental design for a light bulb, as shown and described.

DESCRIPTION

FIG. 1 is a perspective view of a light bulb showing my new design;
FIG. 2 is a first side elevational view thereof;
FIG. 3 is a second side elevational view thereof;
FIG. 4 is a third side elevational view thereof;
FIG. 5 is a fourth side elevational view thereof;
FIG. 6 is a top plan view thereof; and,
FIG. 7 is a bottom plan view thereof.
The broken lines in the drawings depict portions of the light bulb that form no part of the claimed design.

1 Claim, 7 Drawing Sheets



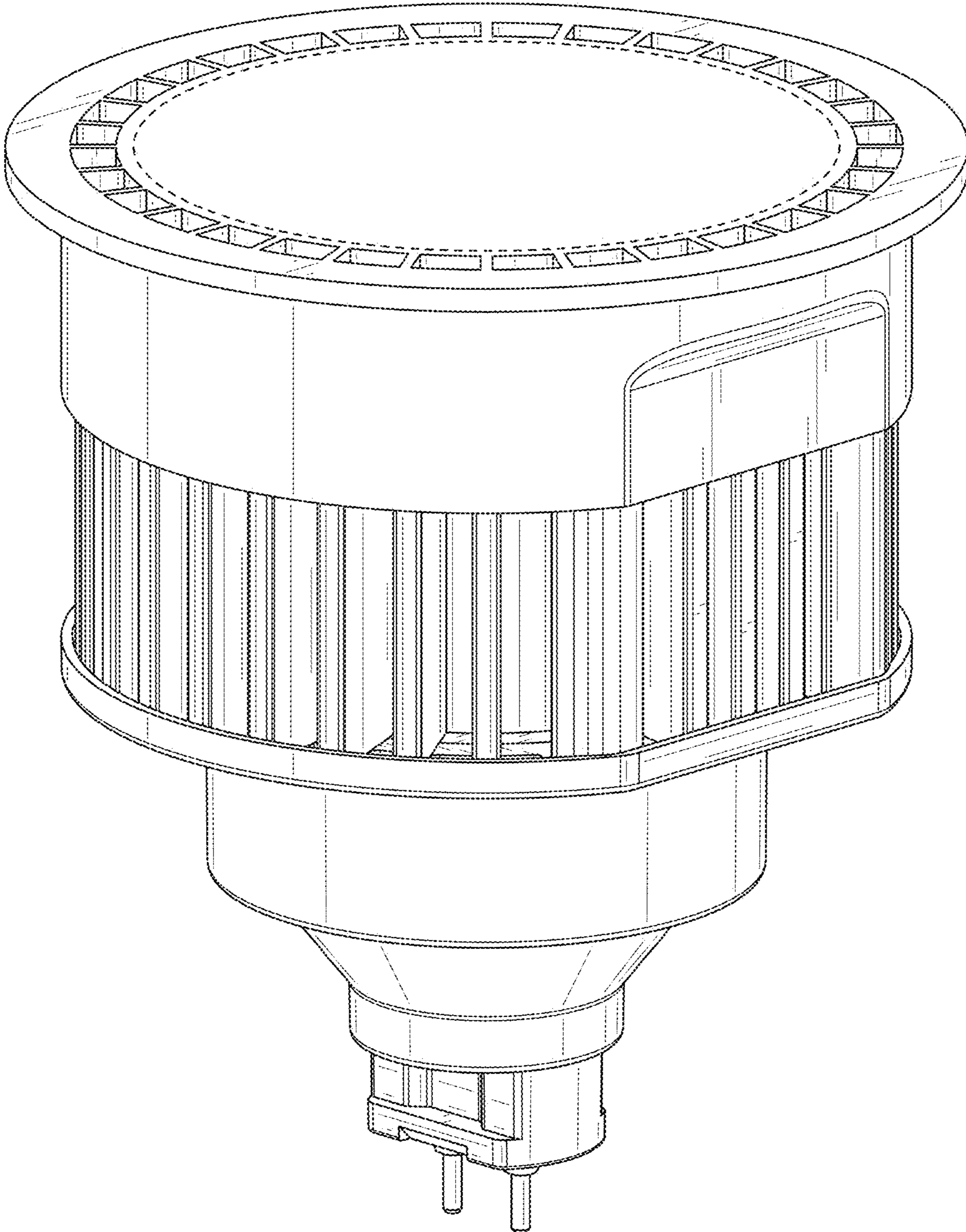


FIG. 1

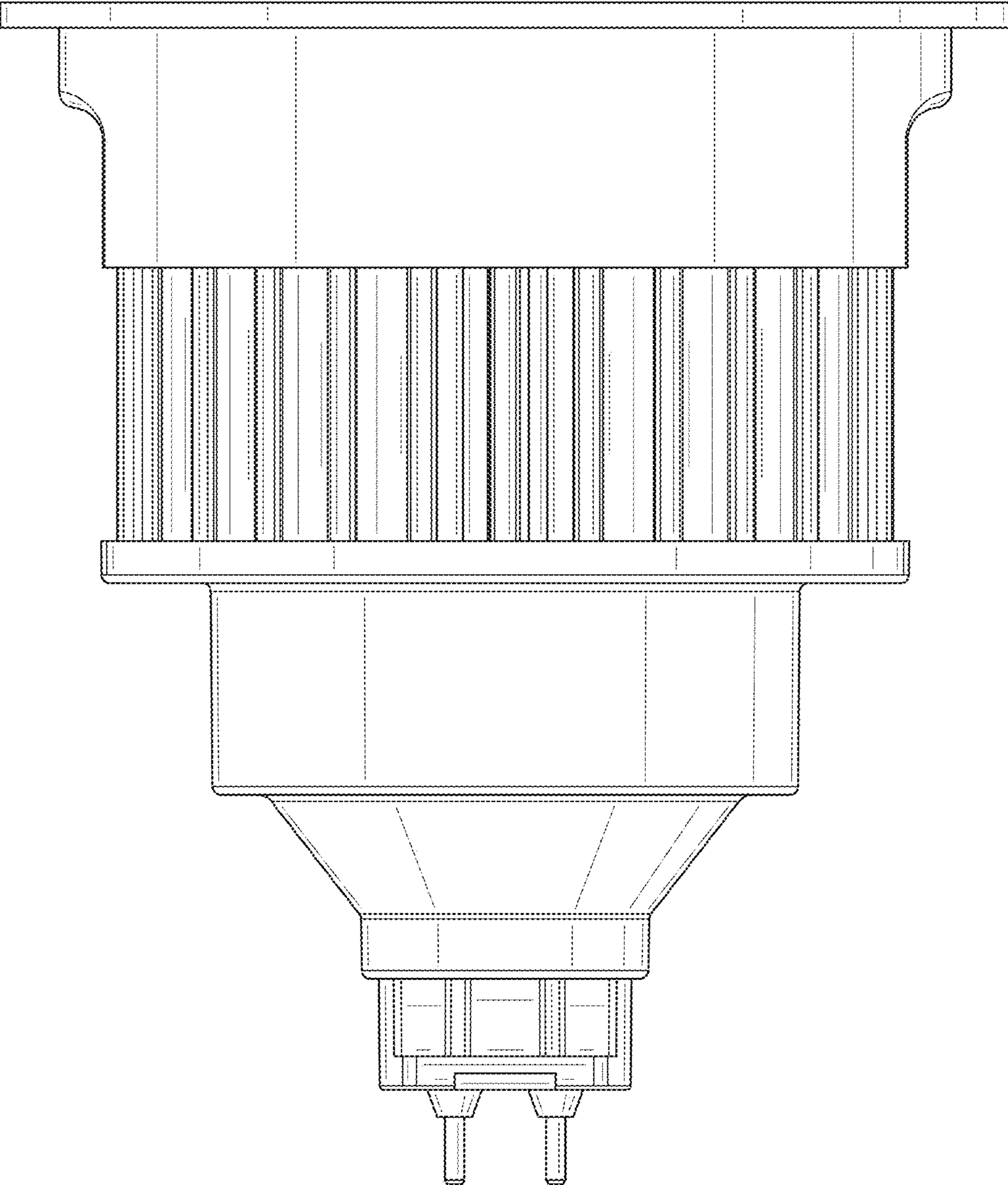


FIG. 2

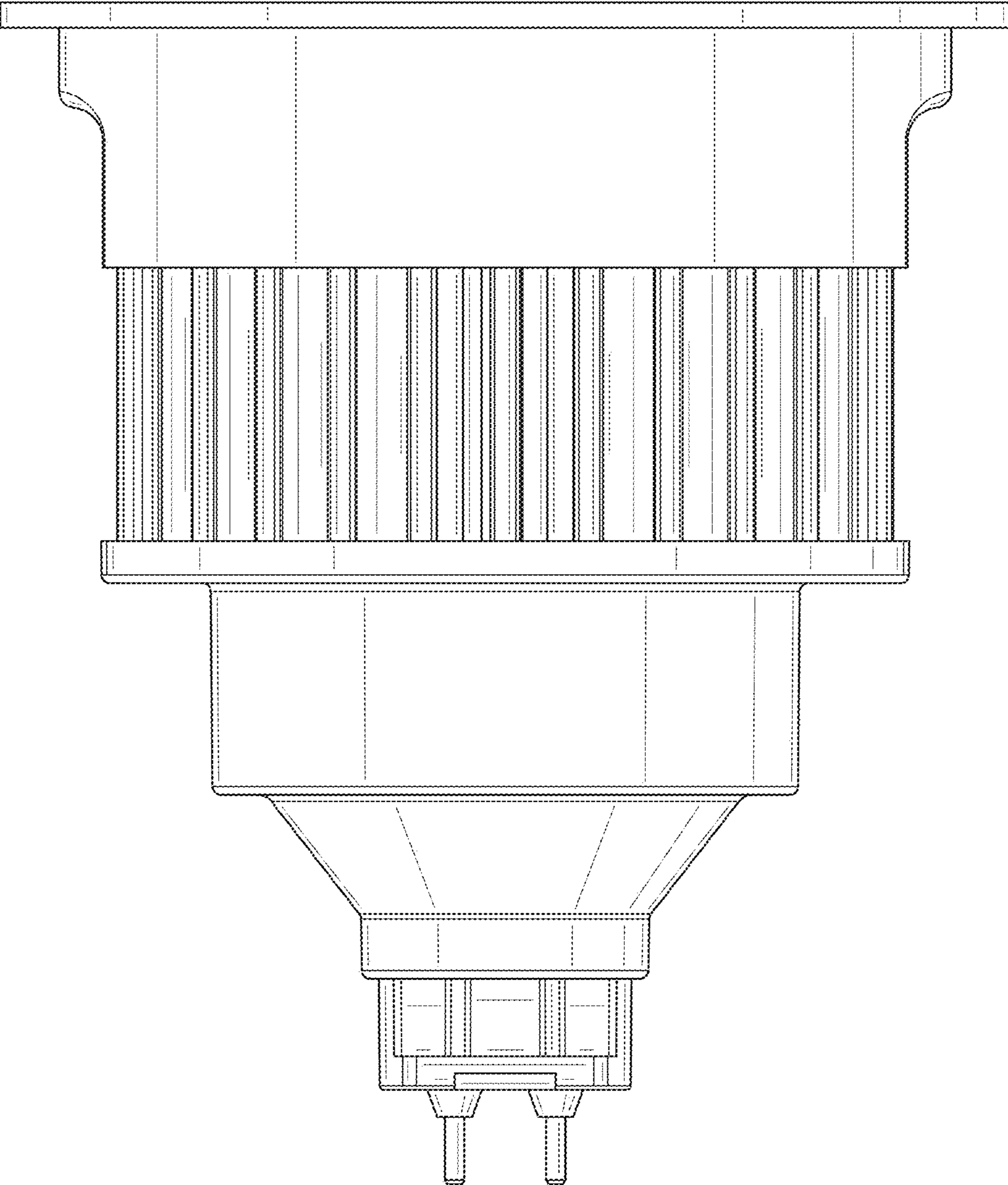


FIG. 3

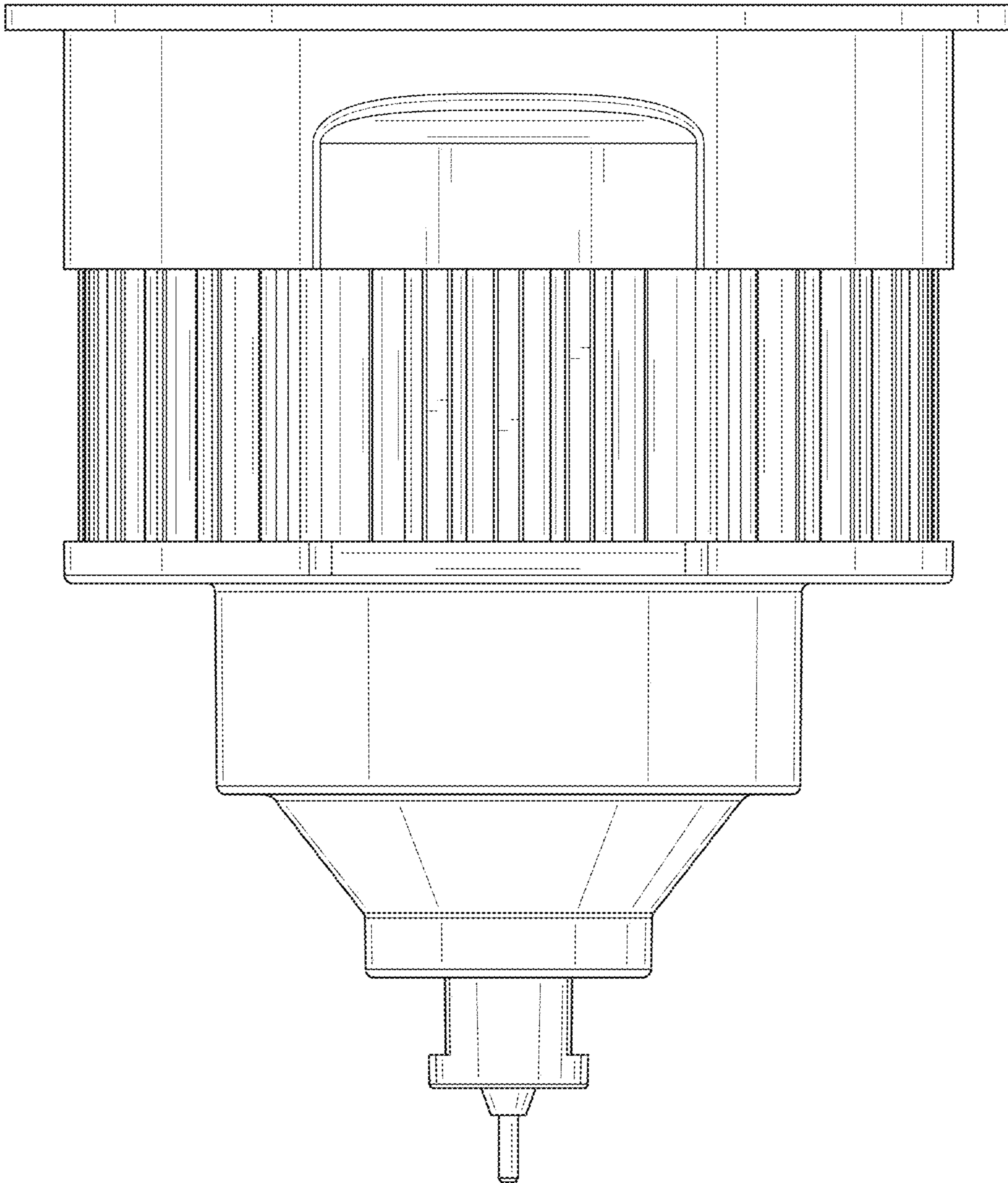


FIG. 4

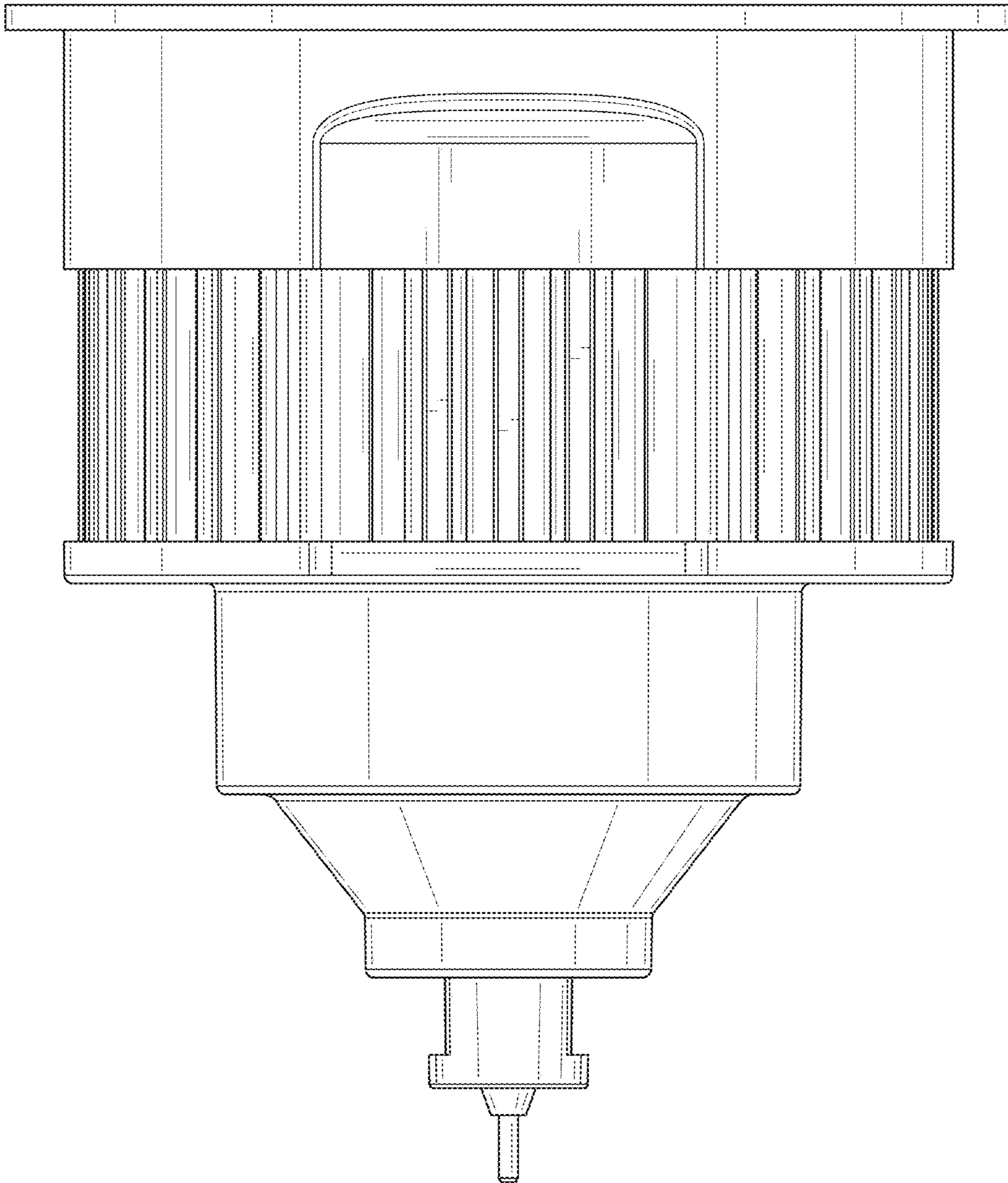


FIG. 5

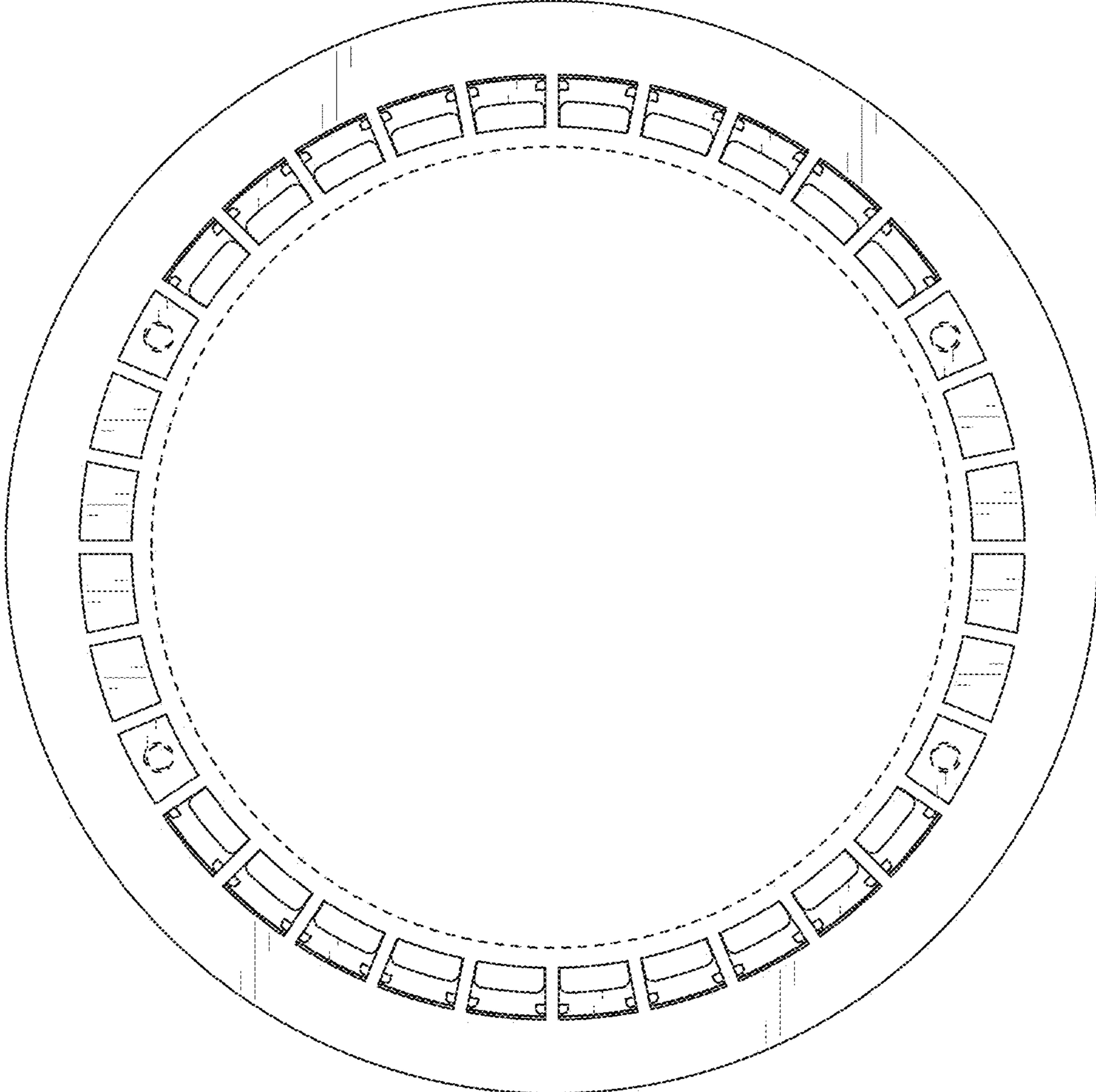


FIG. 6

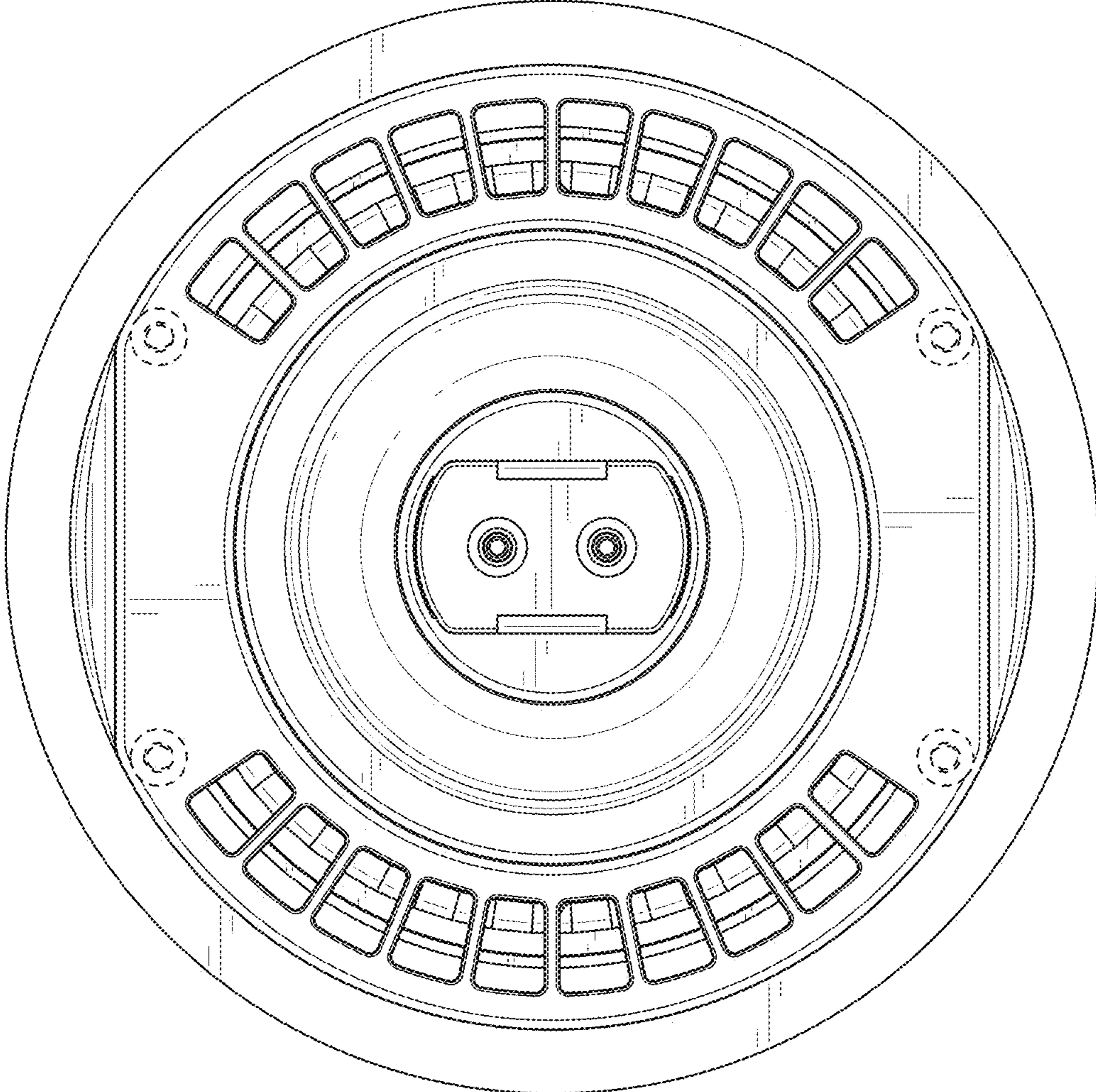


FIG. 7