



US00D910209S

(12) **United States Design Patent** (10) **Patent No.:** **US D910,209 S**
Earhart et al. (45) **Date of Patent:** **** Feb. 9, 2021**

(54) **SUPPORT FOOTING** 7,549,259 B2 * 6/2009 Calle E02D 27/42
52/155
(71) Applicant: **Glen Raven, Inc.**, Glen Raven, NC 7,562,502 B2 7/2009 Calle
(US) 7,874,122 B2 1/2011 Calle
7,987,797 B2 8/2011 Stahl et al.
(72) Inventors: **Robert Charles Earhart**, Mebane, NC 8,162,668 B2 4/2012 Toly
(US); **Matthew Landon Clark**, 8,708,304 B2 4/2014 Dysinger et al.
Whitsett, NC (US) D791,001 S * 7/2017 Rich D10/113.2
(Continued)

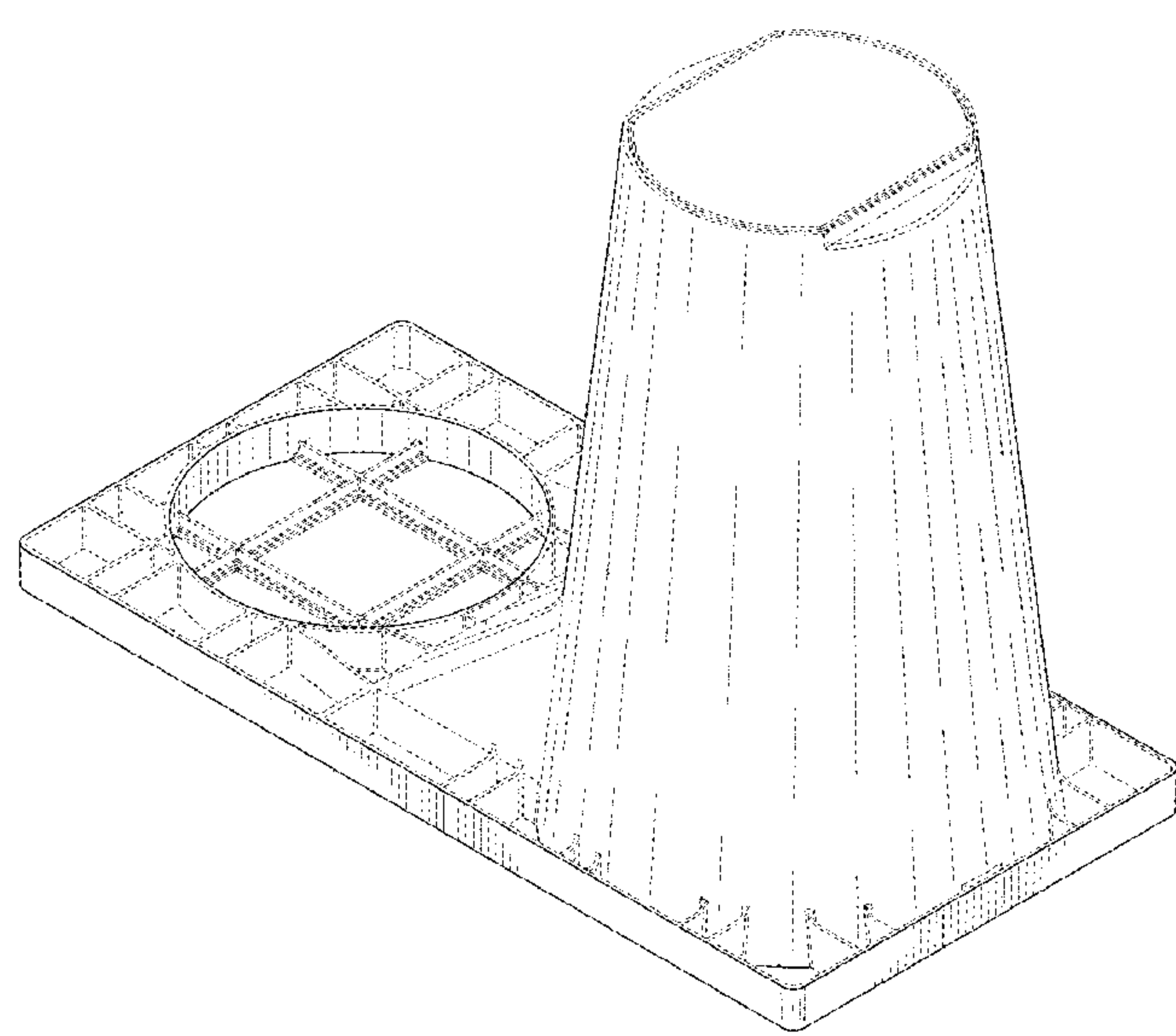
(73) Assignee: **Glen Raven, Inc.**, Glen Raven, NC (US) FOREIGN PATENT DOCUMENTS
JP 2000-282714 A 10/2000
JP 2002-357019 A 12/2002
(**) Term: **15 Years**

(21) Appl. No.: **29/614,916** OTHER PUBLICATIONS
(22) Filed: **Aug. 24, 2017** International Search Report and Written Opinion of the International Searching Authority, International Application No. PCT/US2018/031134, dated Sep. 27, 2018, 12 pp.
(51) **LOC (13) Cl.** **25-01** *Primary Examiner* — Samantha Q Lawrence
(52) **U.S. Cl.** *(74) Attorney, Agent, or Firm* — Myers Bigel, P.A.
USPC **D25/133**
(58) **Field of Classification Search** (57) **CLAIM**
USPC D25/126, 127, 128, 129, 130, 131, 132, D10/113.3, 134, 135; D10/113.1, 113.2, D10/113.3, 113.4, 121
CPC E04H 12/2269; E04H 17/22; E04H 12/22; E04H 17/08; E02B 11/005; E02D 27/42; E02D 29/0233; E02D 29/0241; E02D 2300/0007; E02D 2300/0053; E03F 1/002; Y10T 137/598
See application file for complete search history.

(56) **References Cited**
U.S. PATENT DOCUMENTS
3,598,065 A 8/1971 Young
3,611,952 A 10/1971 Hoffman
3,699,901 A 10/1972 Cook, III
5,755,162 A 5/1998 Knight et al.
6,802,668 B2 10/2004 Parker
D508,571 S * 8/2005 Weiser D25/133
D531,325 S * 10/2006 Navare D25/133
7,338,229 B1 * 3/2008 Kuo E01F 9/688
116/63 C

DESCRIPTION
FIG. 1 is a back perspective view illustrating our support footing design;
FIG. 2 is a bottom perspective view thereof;
FIG. 3 is a top perspective view thereof;
FIG. 4 is a front view thereof;
FIG. 5 is a rear view thereof;
FIG. 6 is a left side view thereof;
FIG. 7 is a right side view thereof;
FIG. 8 is a top view thereof; and,
FIG. 9 is a bottom view thereof.
The broken lines shown in FIGS. 1-9 illustrate portions of the support footing that form no part of the claimed design.

1 Claim, 9 Drawing Sheets



(56)

References Cited

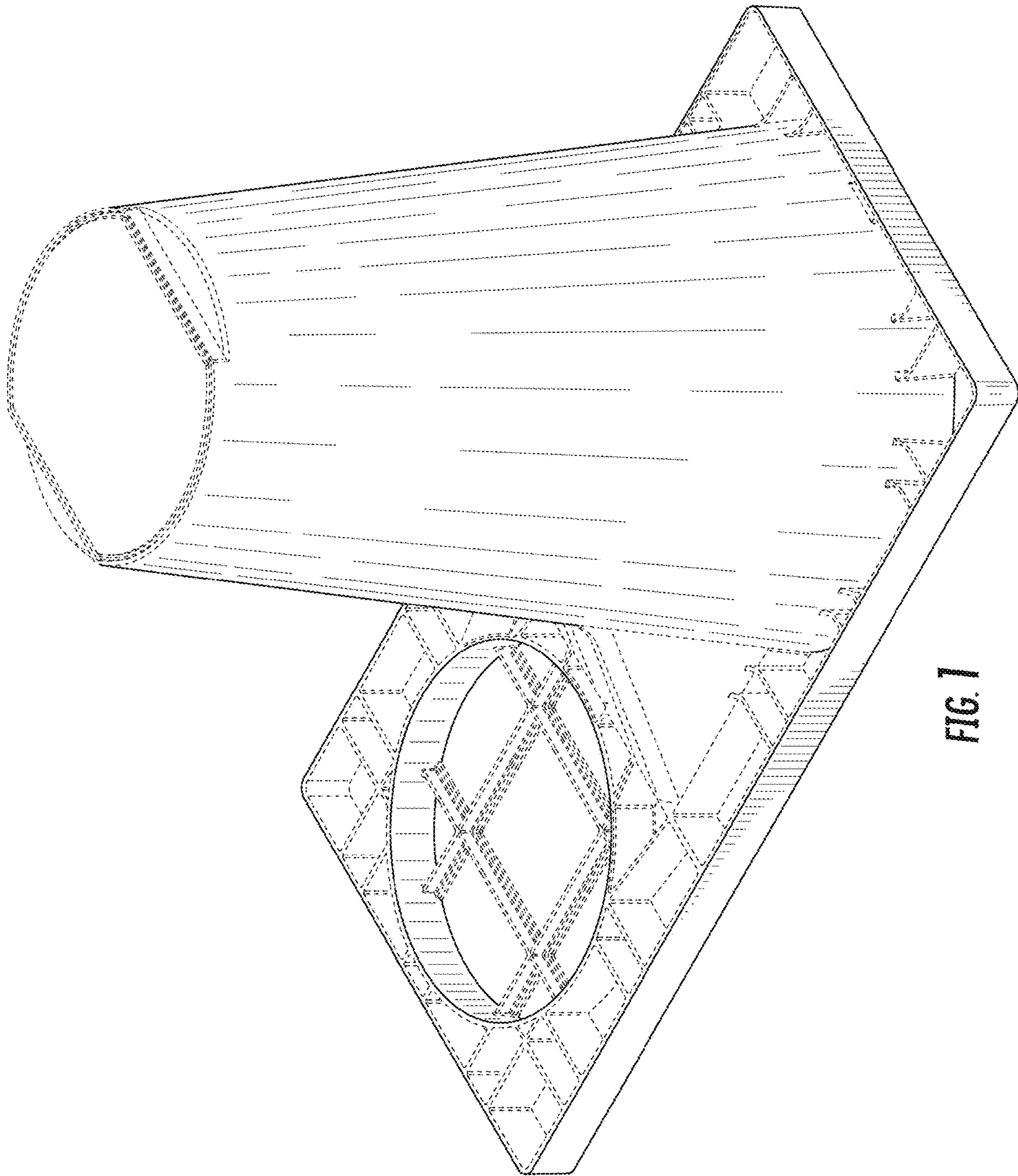
U.S. PATENT DOCUMENTS

D791,002 S * 7/2017 Rich D10/113.2
D810,965 S * 2/2018 Whiteley D25/133
D854,957 S * 7/2019 Rich D10/113.2
D860,846 S * 9/2019 Wang Lee D10/113.2
10,557,247 B2 * 2/2020 Earhart E04H 12/22
2002/0017225 A1 2/2002 Koefeldt et al.
2003/0200708 A1 10/2003 Parker
2008/0011221 A1 * 1/2008 Dvoracek E01F 9/654
116/63 C

2011/0061321 A1 3/2011 Phuly
2012/0255624 A1 10/2012 Canney et al.
2014/0231737 A1 8/2014 Whiteley
2014/0291221 A1 10/2014 Adams et al.
2014/0305366 A1 * 10/2014 Kuo B29C 45/14311
116/63 C

2017/0022730 A1 1/2017 Mansueto
2017/0030104 A1 * 2/2017 Sinclair E04H 12/2269
2018/0327995 A1 * 11/2018 Earhart E04H 12/2269
2019/0119869 A1 * 4/2019 Kulp E01F 9/654

* cited by examiner



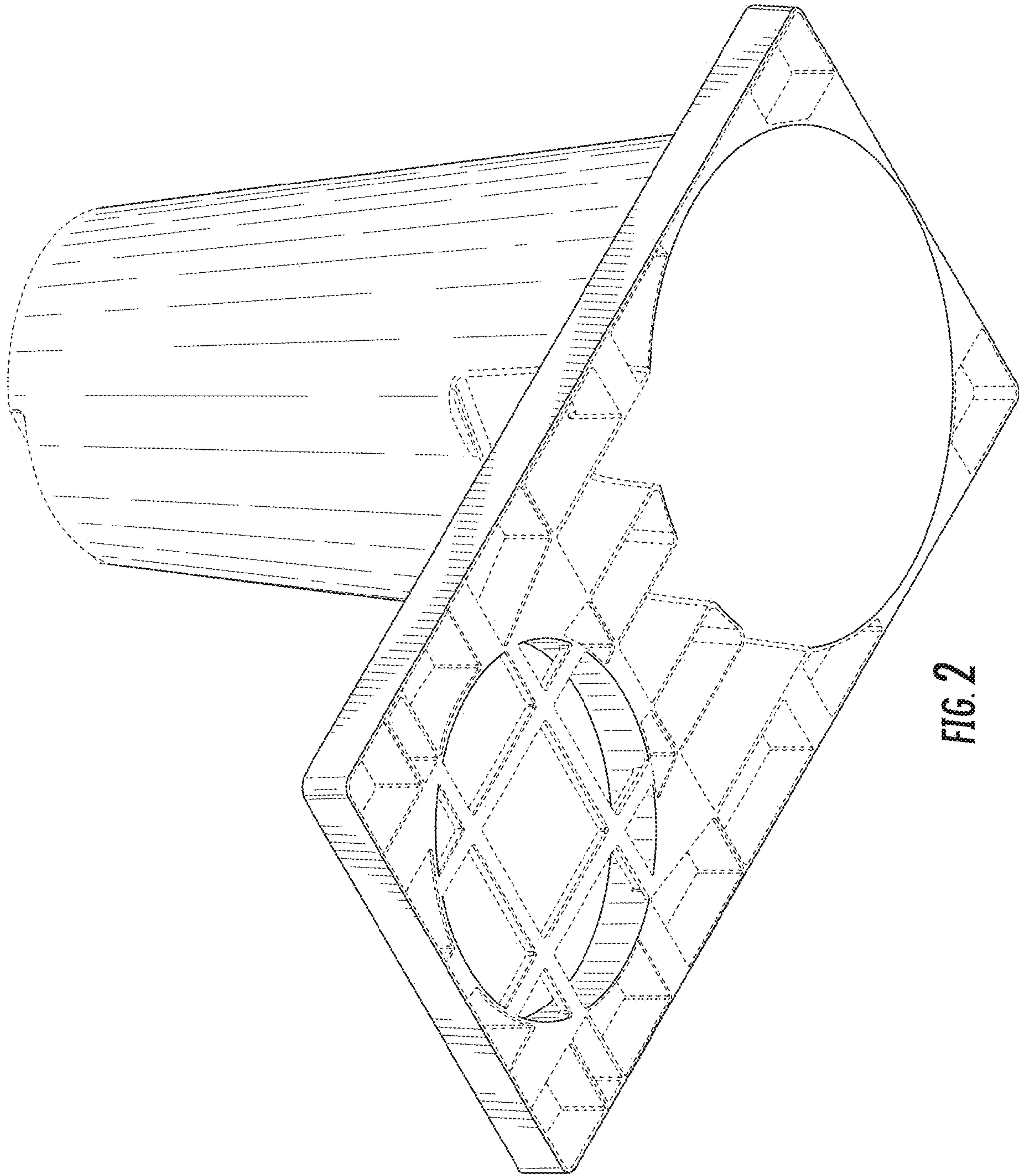


FIG. 2

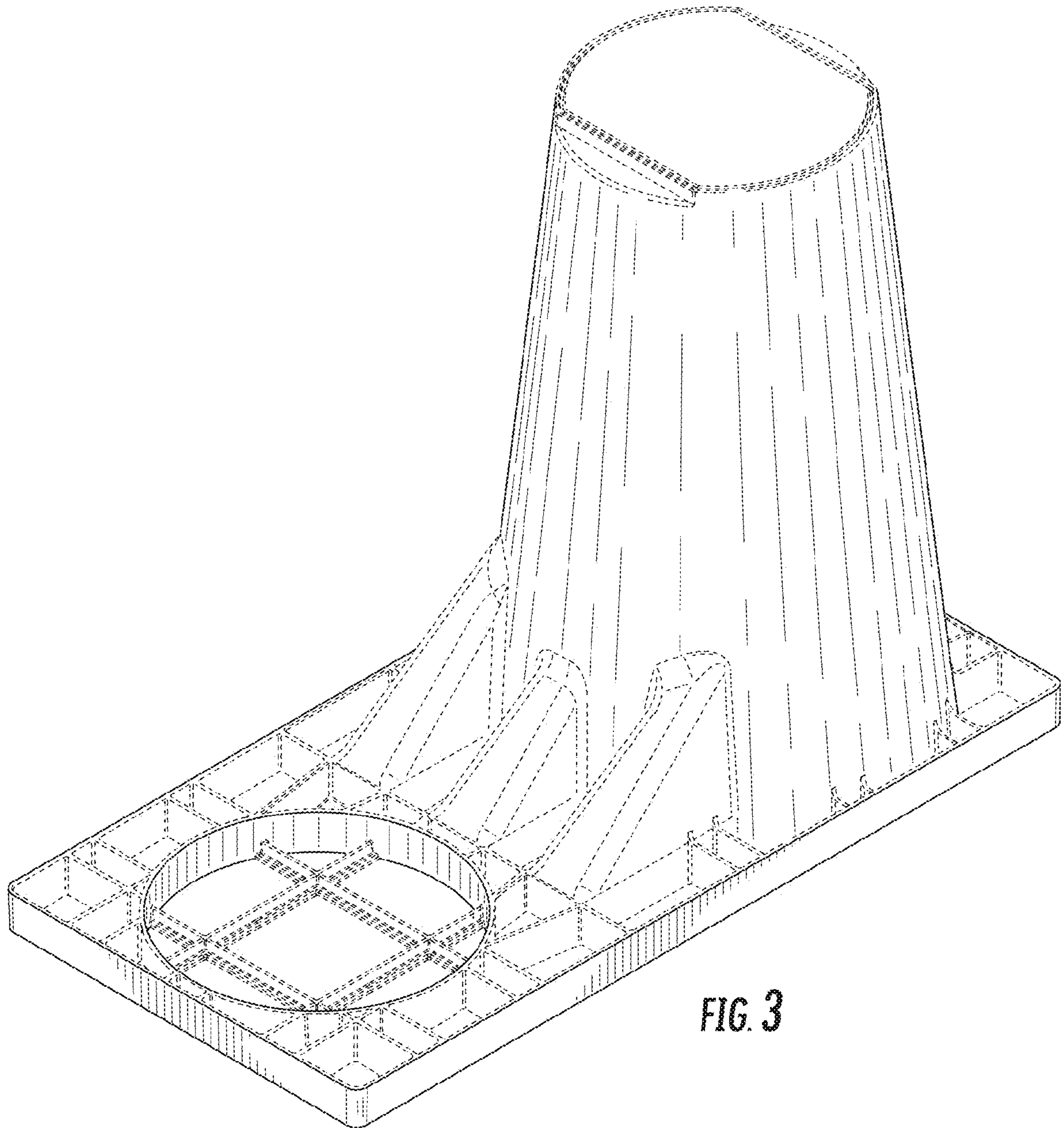


FIG. 3

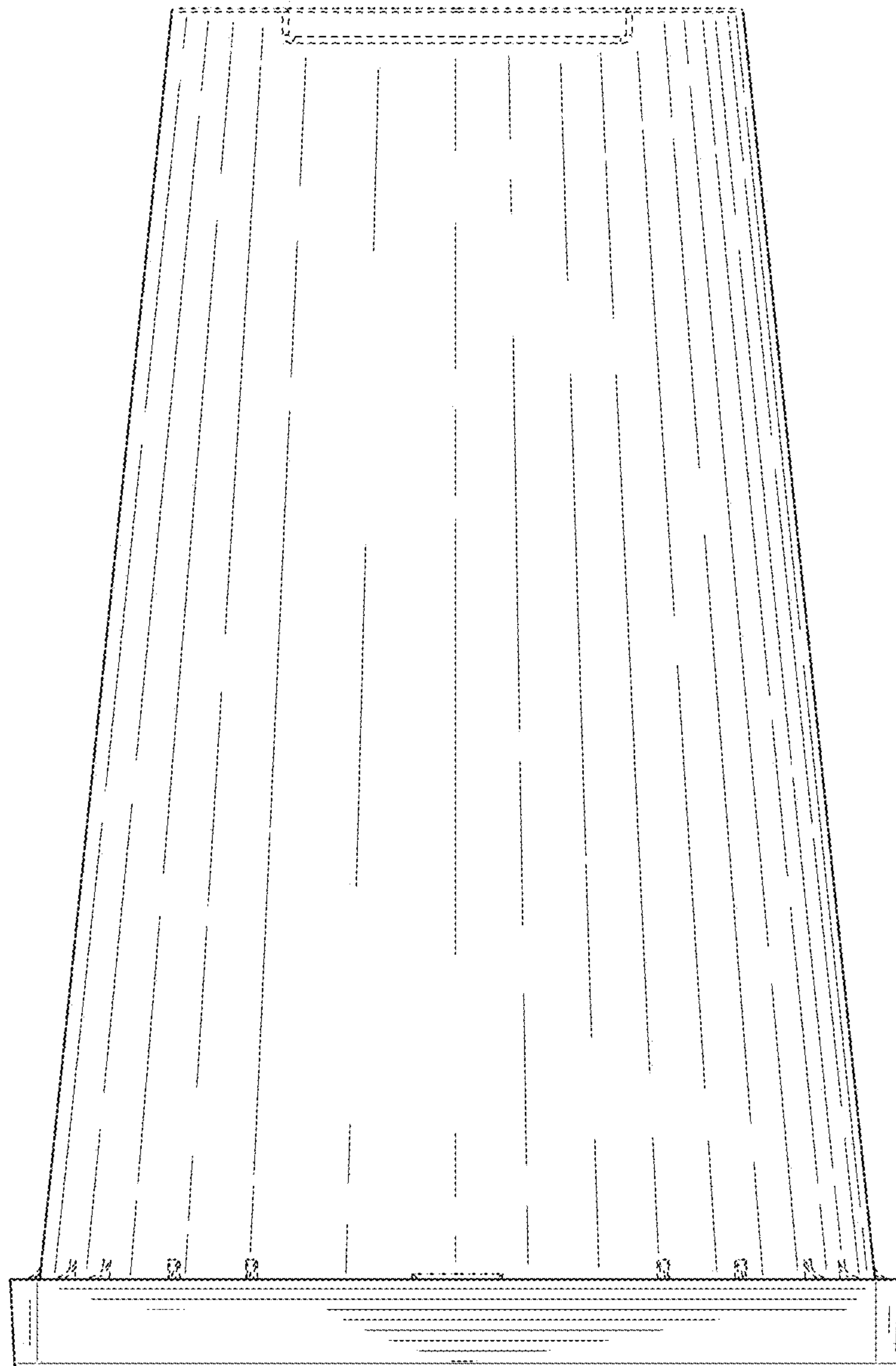


FIG. 4

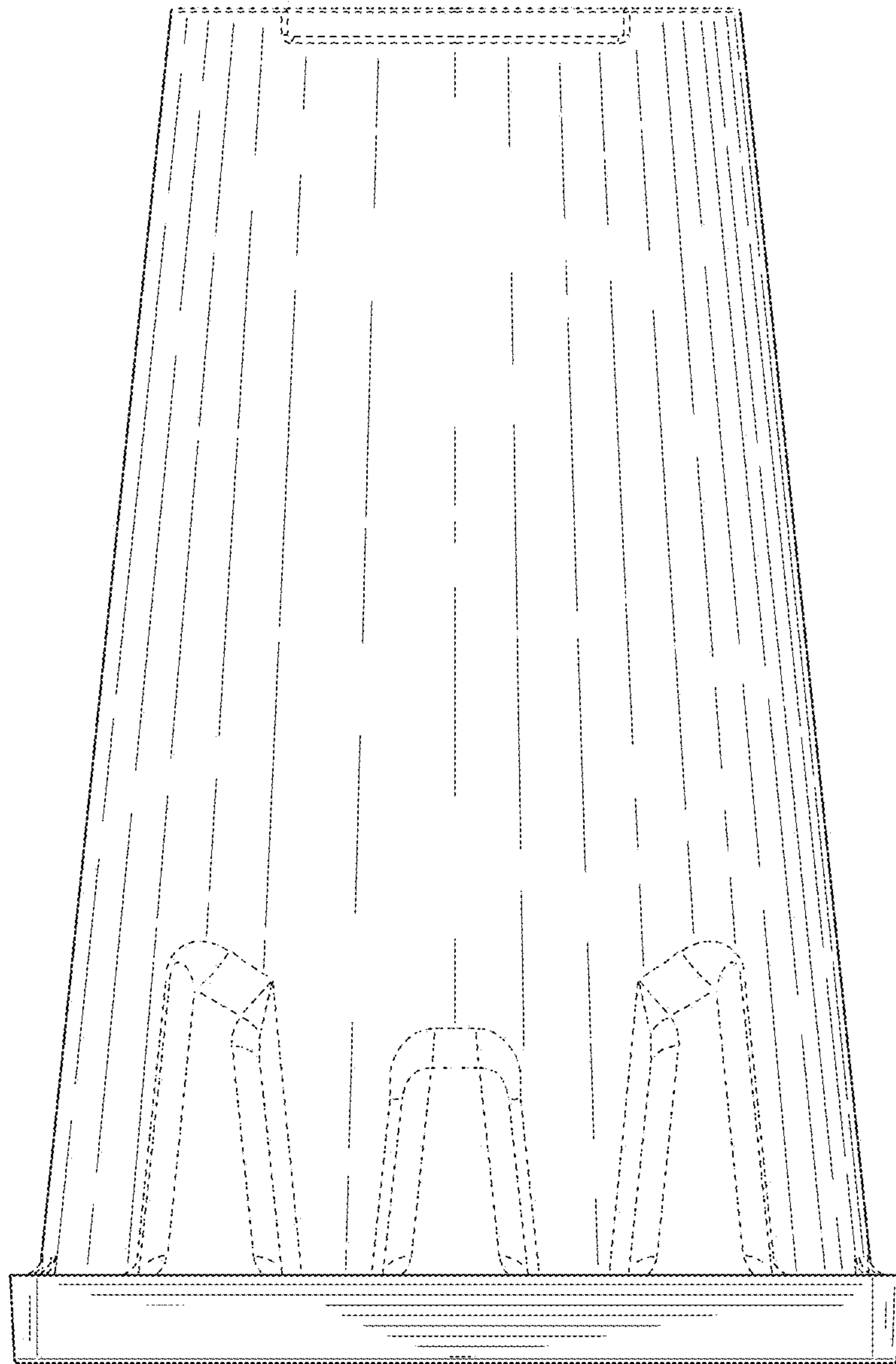


FIG. 5

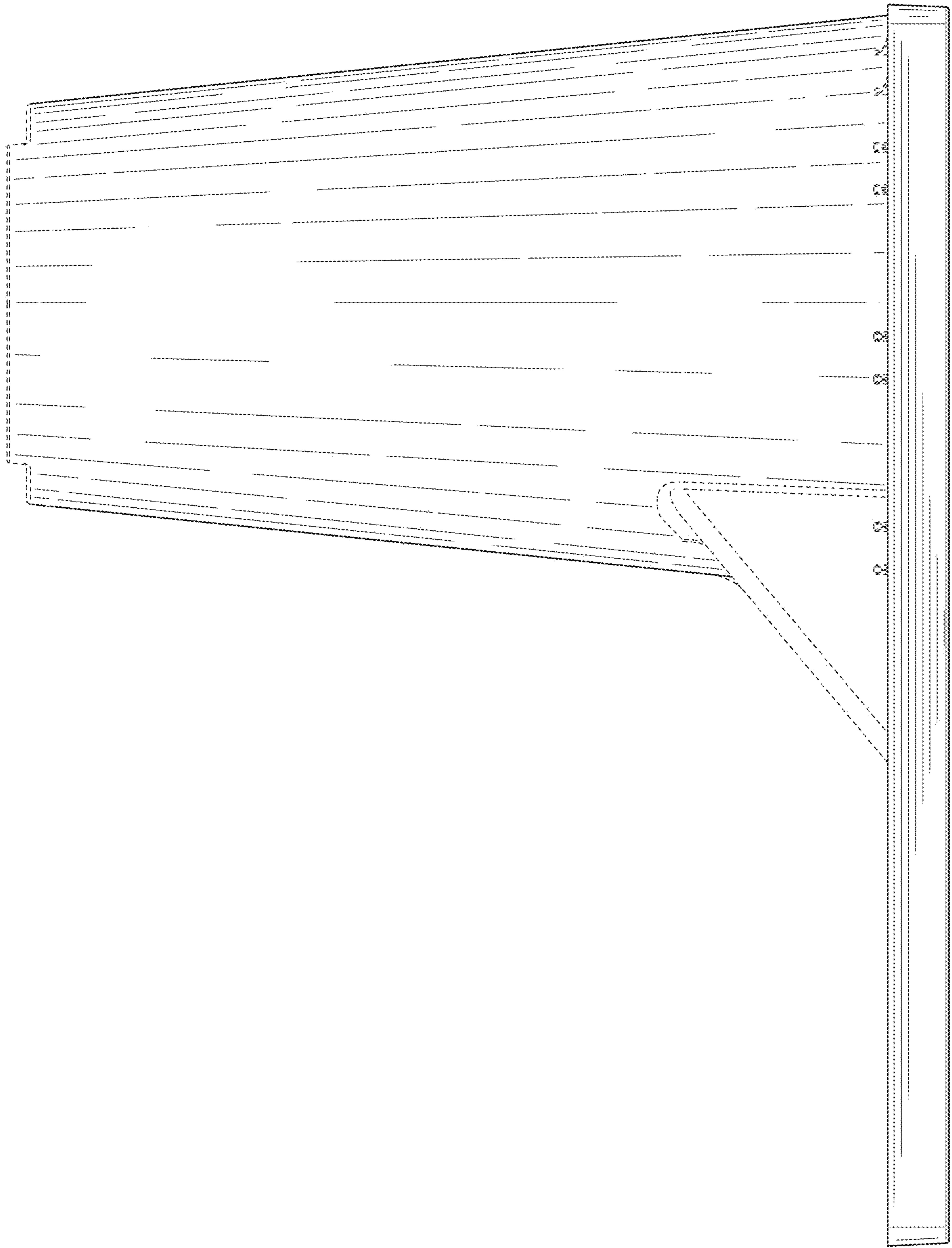


FIG. 6

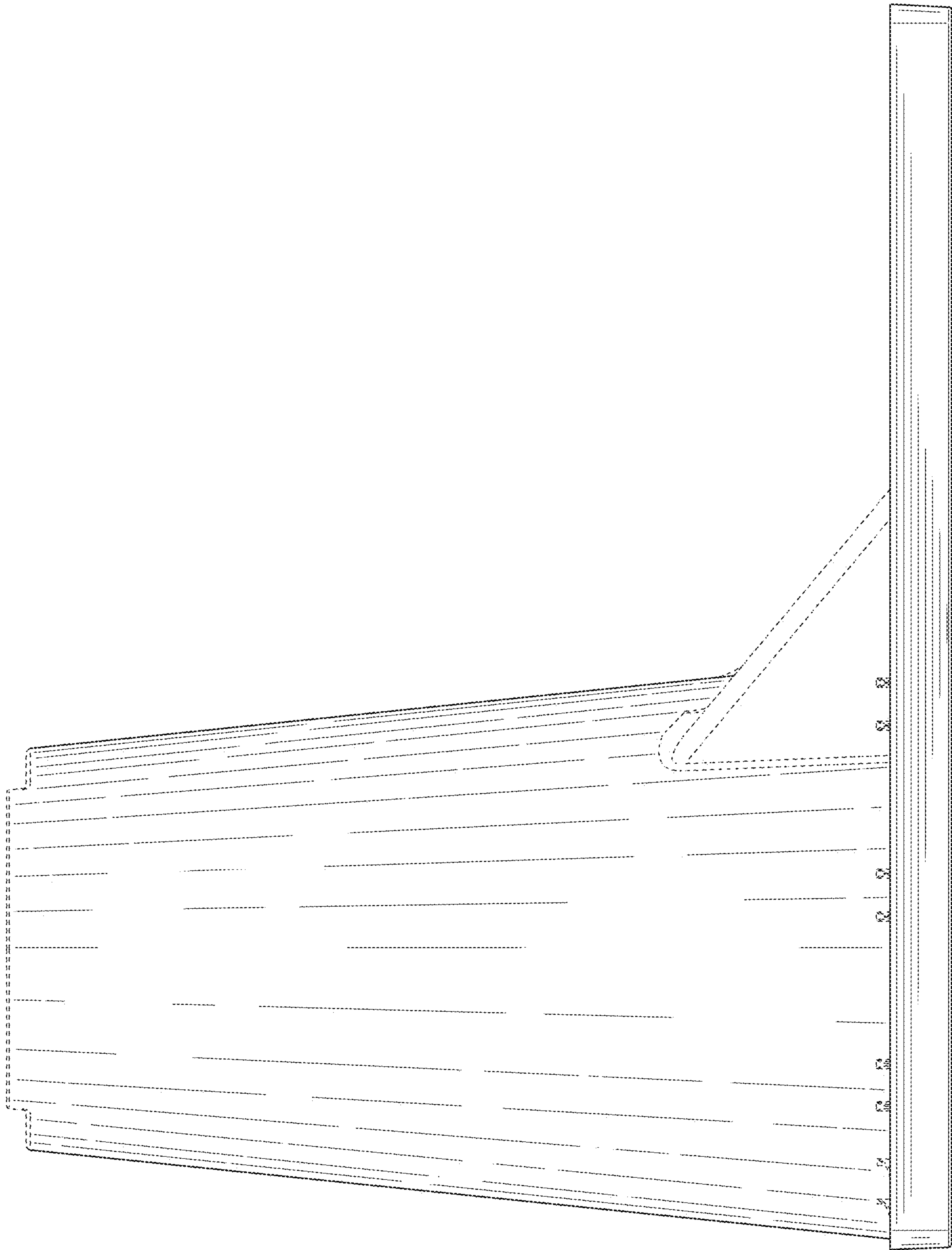


FIG. 7

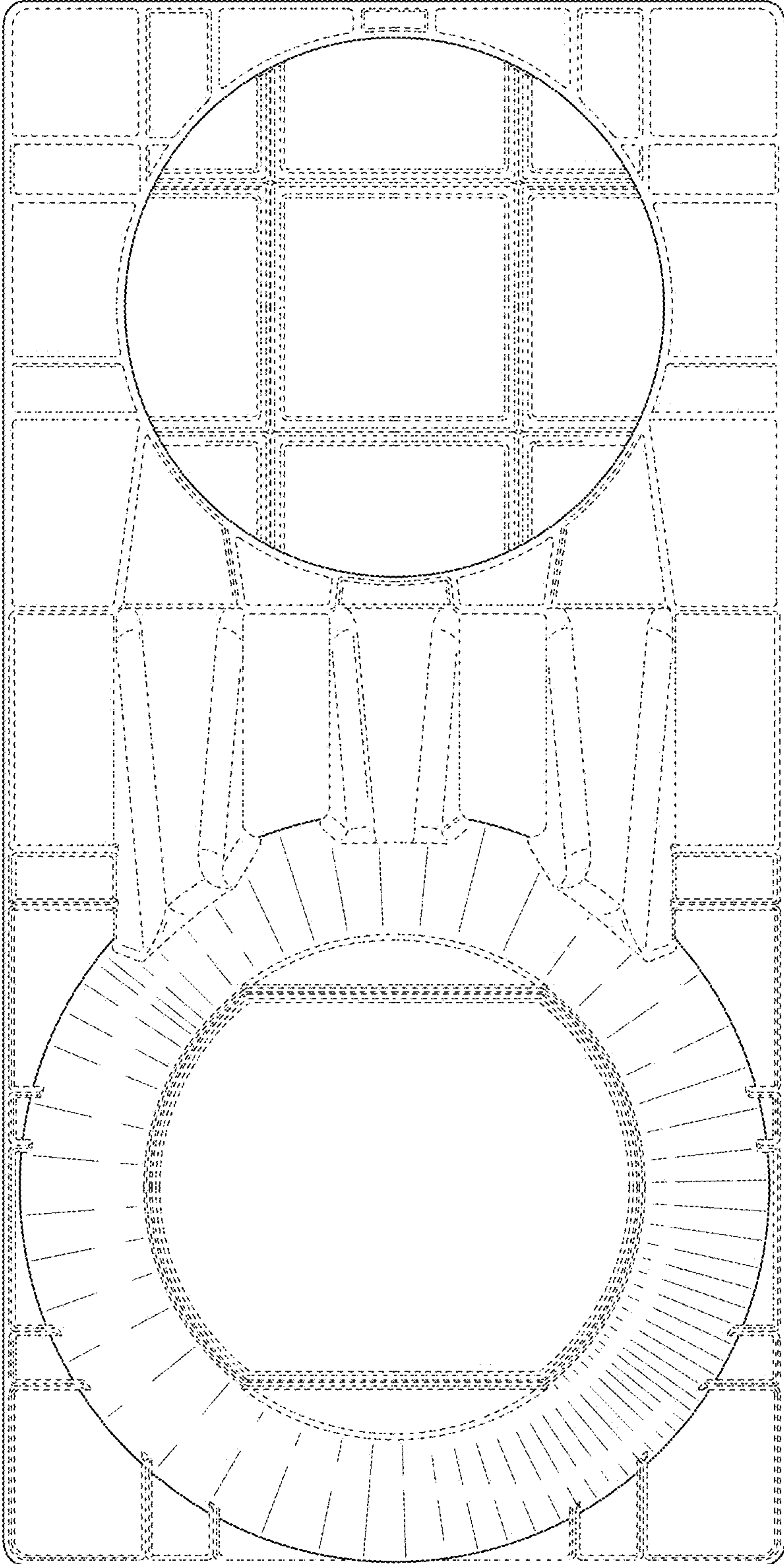


FIG. 8

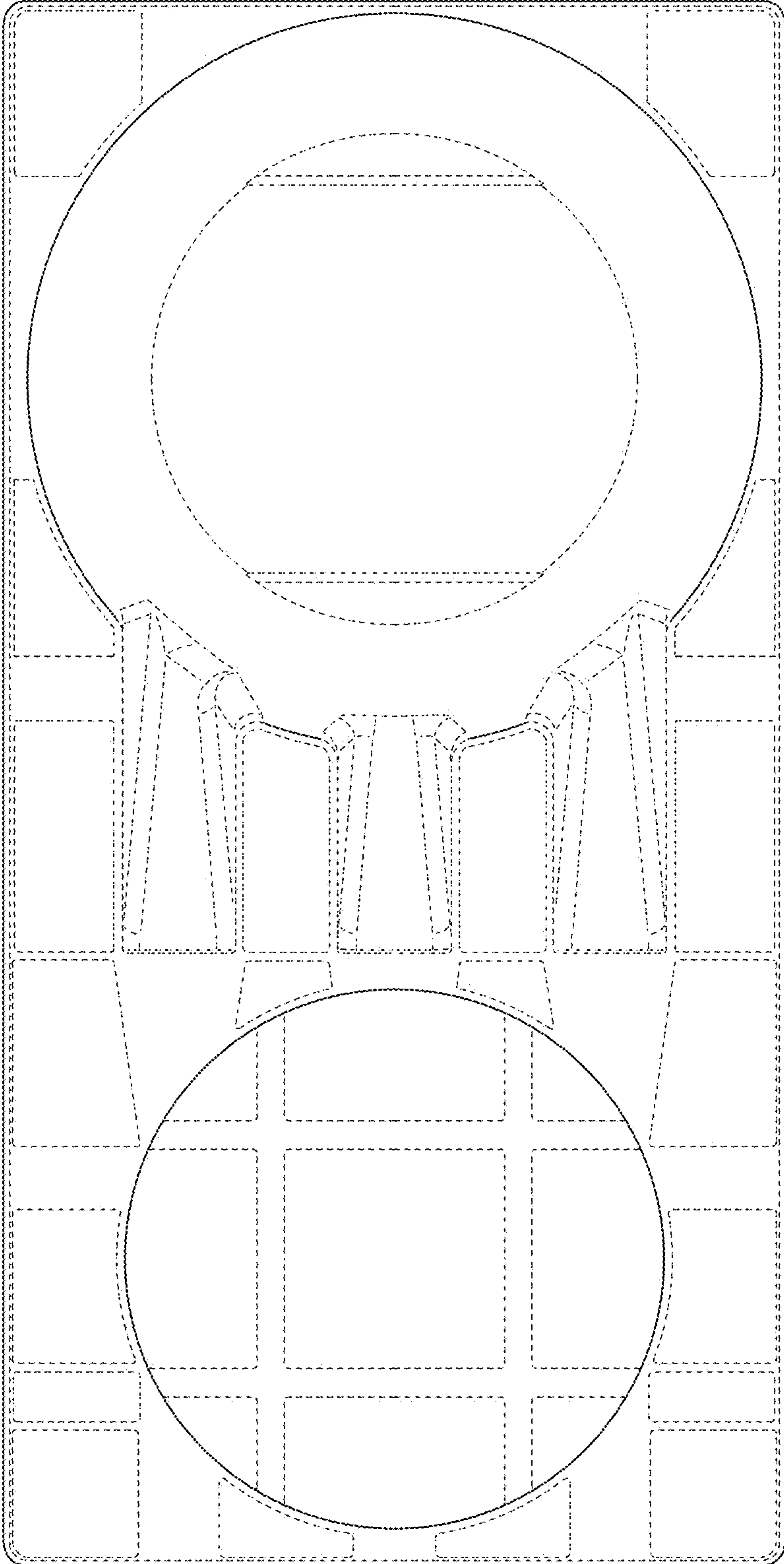


FIG. 9