



US00D910208S

(12) **United States Design Patent** (10) **Patent No.:** **US D910,208 S**
Price et al. (45) **Date of Patent:** **** Feb. 9, 2021**

(54) **PAVER**

D704,859 S * 5/2014 Gleason D25/113
D735,890 S * 8/2015 Gleason D25/113
D830,583 S * 10/2018 Ness D25/113

(71) Applicant: **THERMOFLEX CORP.**, Waukegan, IL (US)

FOREIGN PATENT DOCUMENTS

(72) Inventors: **Robert Price**, Mettawa, IL (US); **David Reband**, Antioch, IL (US)

CN 302374564 * 3/2013
CN 302696316 * 12/2013
CN 303552935 * 1/2016
CN 304170476 * 6/2017
CN 304387965 * 12/2017
CN 305343902 * 9/2019
JP D1463282 * 2/2013
JP D1506811 * 9/2014

(73) Assignee: **THERMOFLEX CORP.**, Waukegan, IL (US)

(**) Term: **15 Years**

(21) Appl. No.: **29/699,106**

OTHER PUBLICATIONS

(22) Filed: **Jul. 23, 2019**

Orlando Pavers <https://aspendiversified.com/pavers/> Sep. 2017 (Year: 2017).*

(51) **LOC (13) Cl.** **25-01**

(52) **U.S. Cl.**
USPC **D25/113**

* cited by examiner

(58) **Field of Classification Search**
USPC D21/484-490, 499-502; D25/112-118
CPC . E04B 2/18; E01C 11/225; E01C 5/00; E01C 5/06; E01C 2201/16

Primary Examiner — Leanne Was-Englehart

(74) *Attorney, Agent, or Firm* — Grossman, Tucker, Perreault & Pfleger, PLLC

See application file for complete search history.

(57) **CLAIM**

The ornamental design for a paver, as shown and described.

(56) **References Cited**

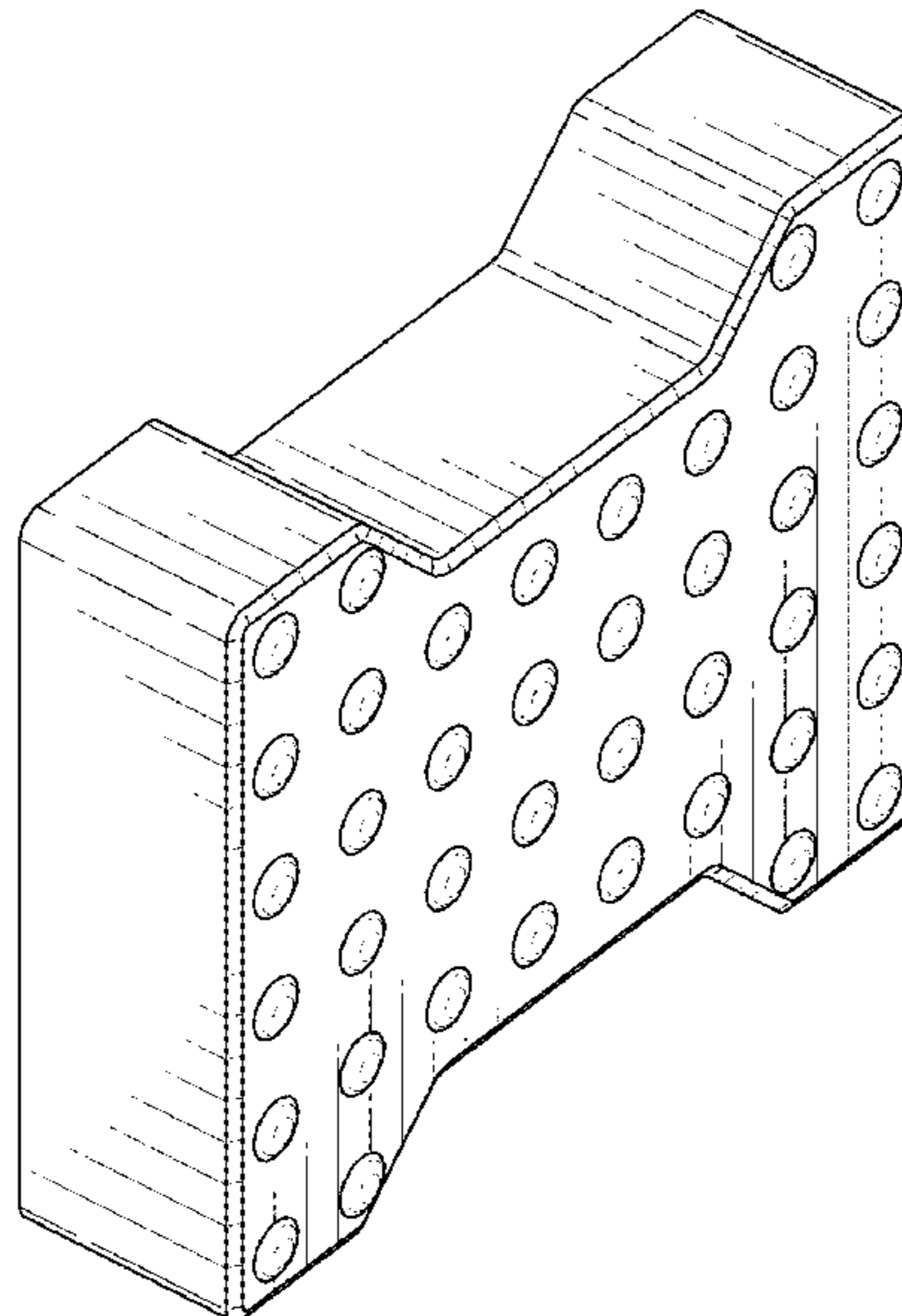
DESCRIPTION

U.S. PATENT DOCUMENTS

189,676 A * 4/1877 Adams E04B 2/18
52/592.6
1,606,150 A * 11/1926 Curtis F27D 1/04
52/506.03
6,746,177 B1 * 6/2004 Hoashi E02B 3/14
405/15
D511,011 S * 10/2005 Crump D25/112
D512,519 S * 12/2005 Crump D25/112
D546,478 S * 7/2007 Adam D25/113
D609,369 S * 2/2010 Buch D25/113
D609,956 S * 2/2010 Lukasik D6/582
8,459,896 B2 * 6/2013 Buch E01C 11/225
404/29
D693,482 S * 11/2013 Merriam D25/113

FIG. 1 is a perspective view of the paver of the present invention;
FIG. 2 is a top view thereof;
FIG. 3 is a bottom view thereof;
FIG. 4 is a front view thereof;
FIG. 5 is a rear view thereof;
FIG. 6 is a left-side view thereof; and,
FIG. 7 is a right-side view thereof.
Portions of the paver shown in broken lines in FIG. 3 form no part of the claimed design.

1 Claim, 3 Drawing Sheets



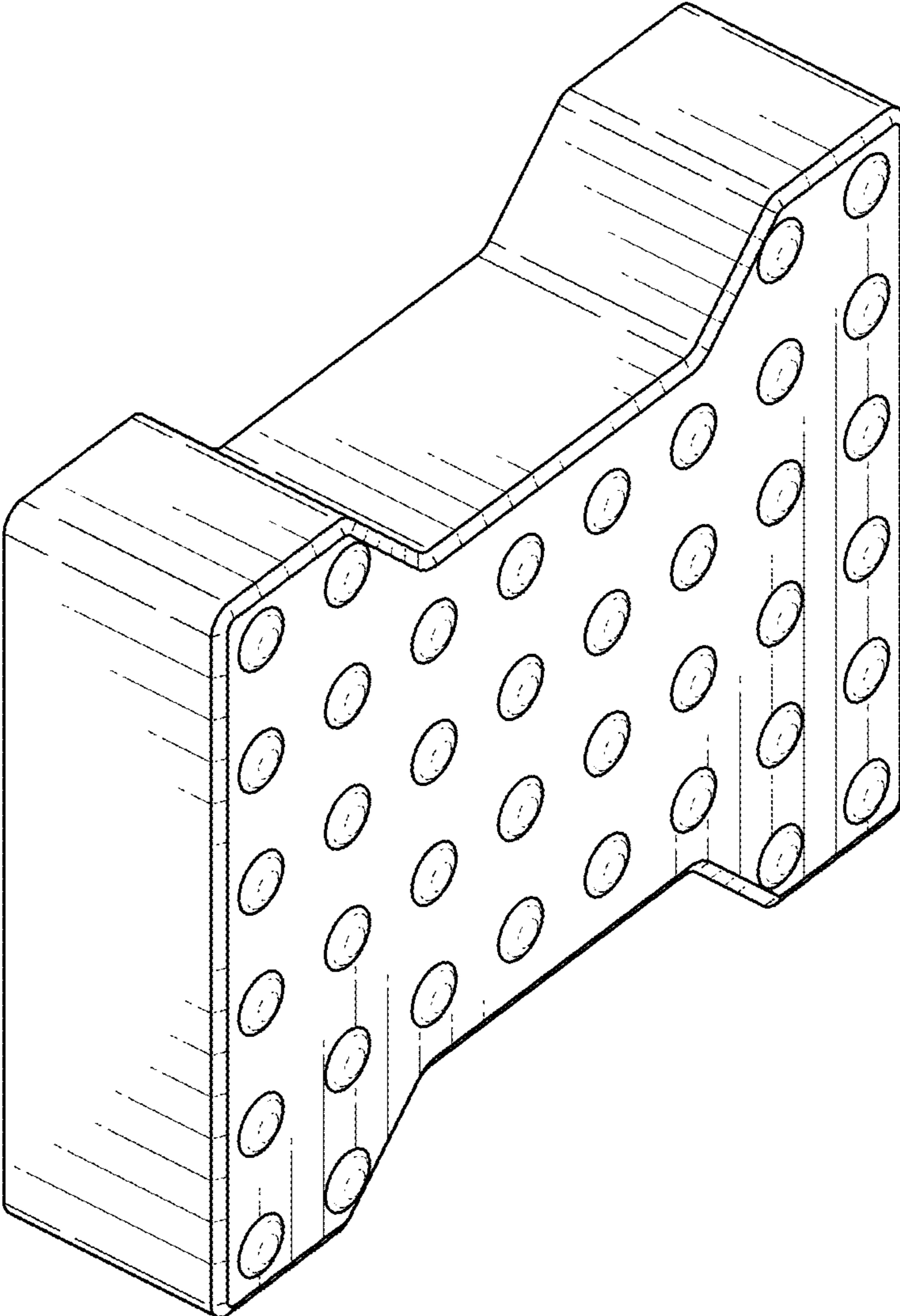


FIG. 1

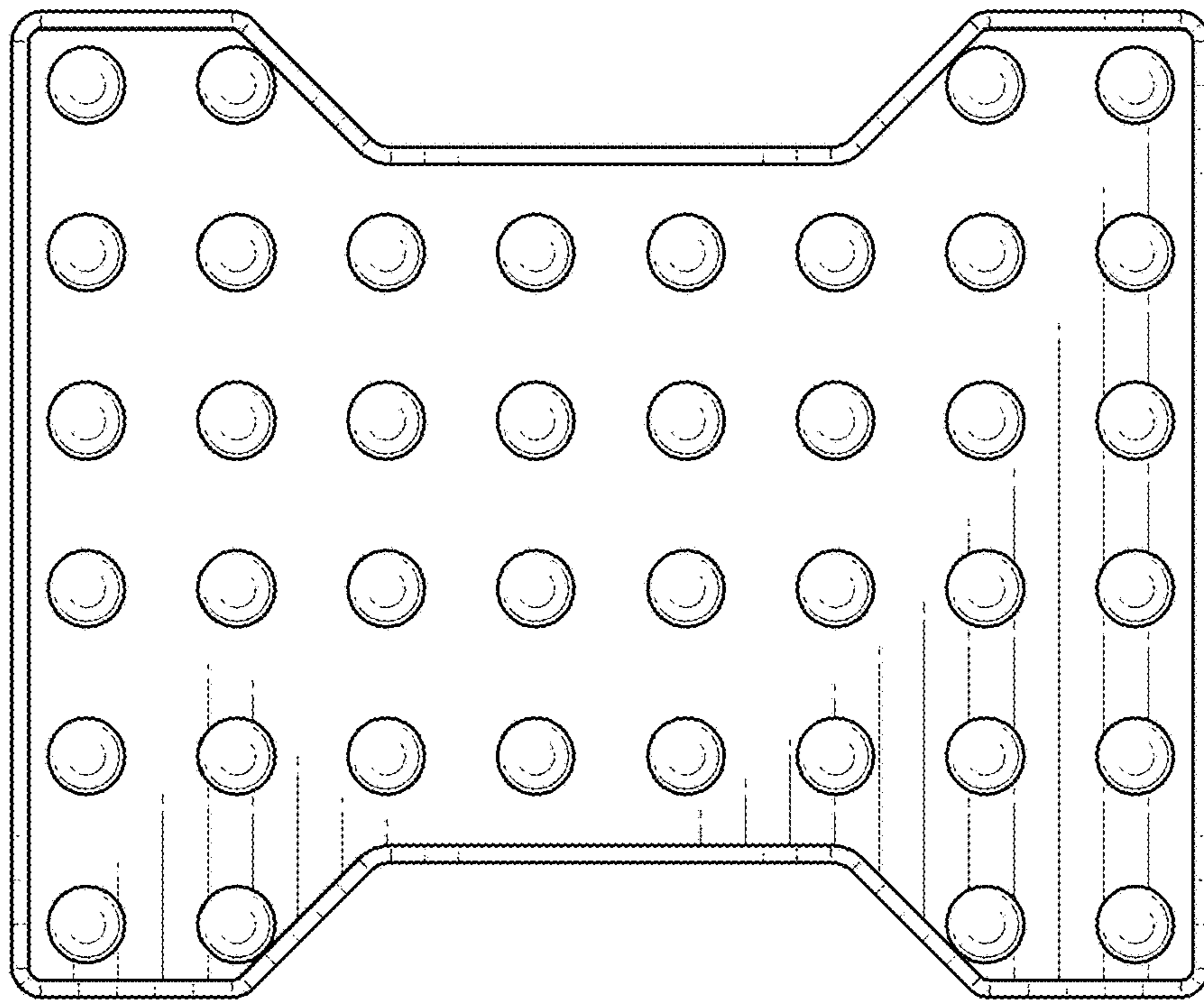


FIG. 2

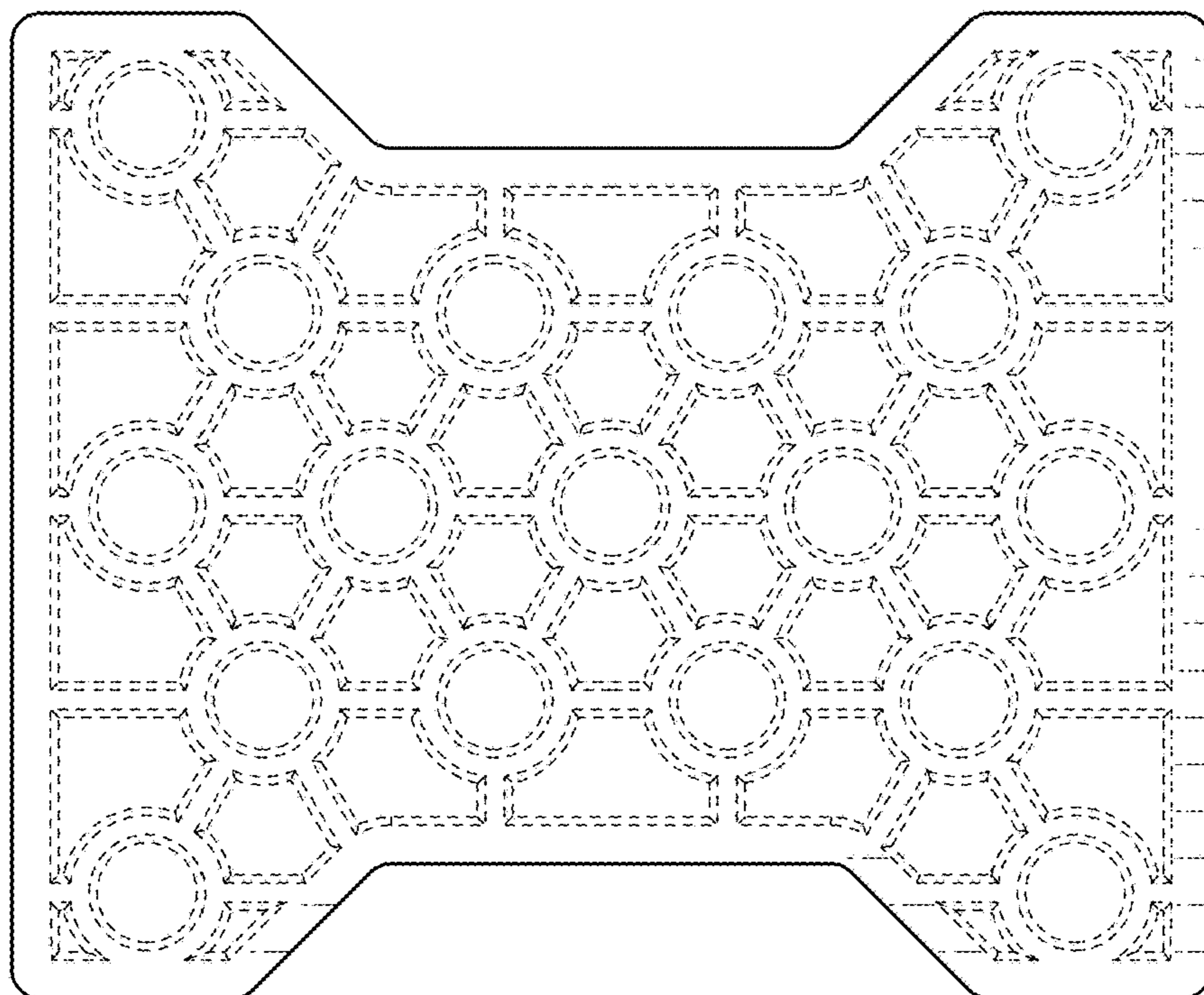


FIG. 3

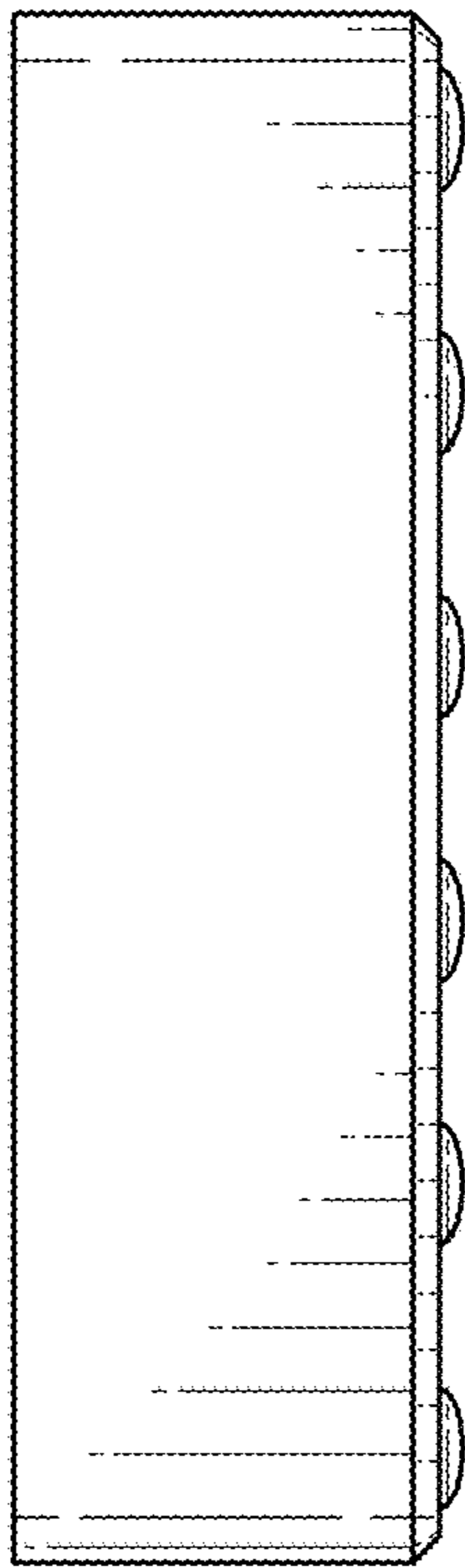


FIG. 4

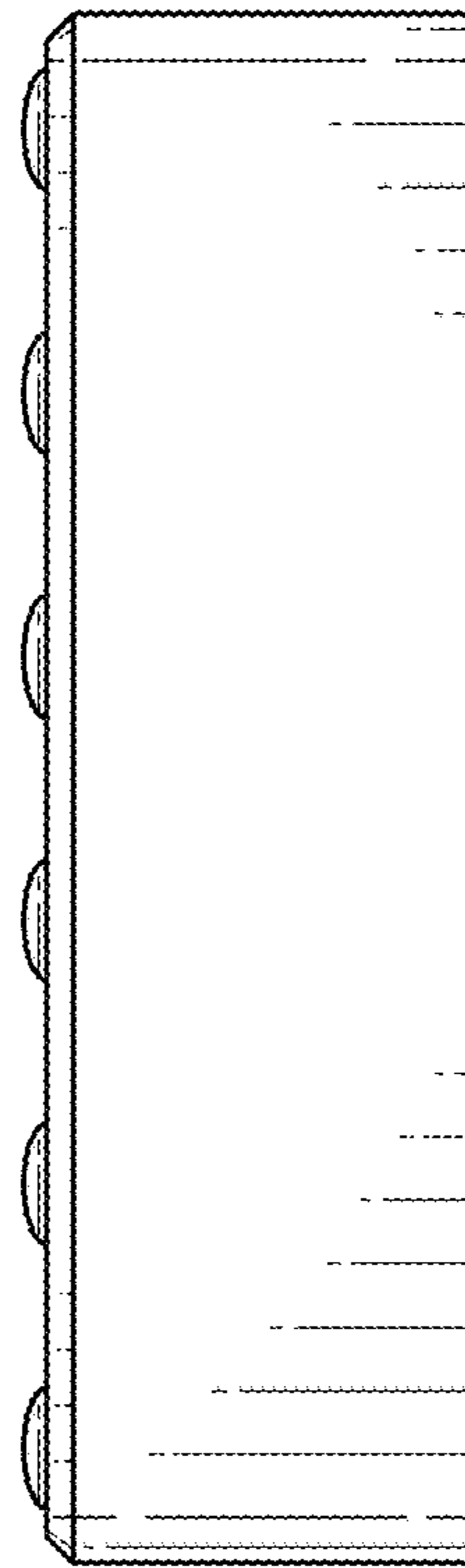


FIG. 5

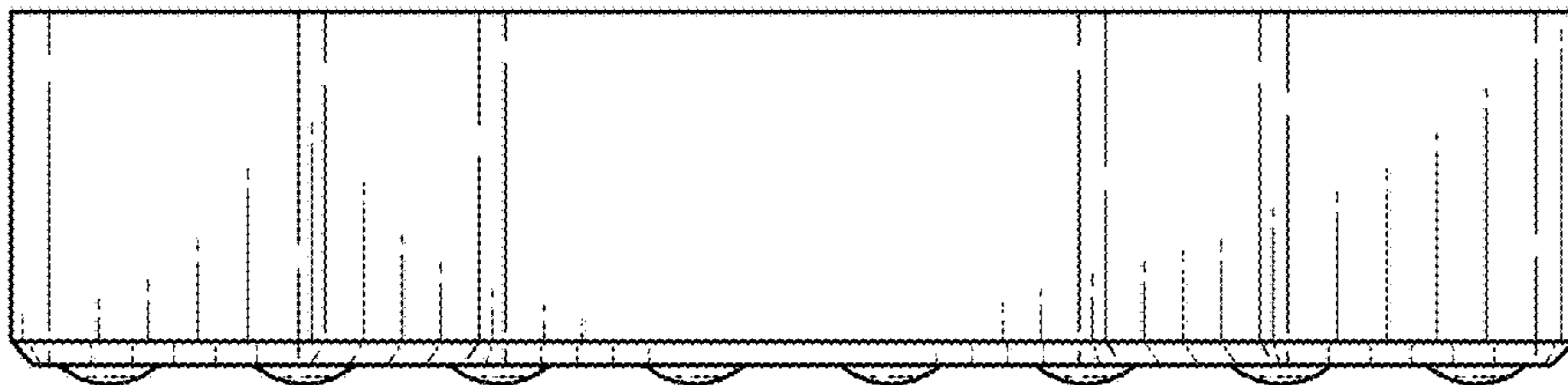


FIG. 6

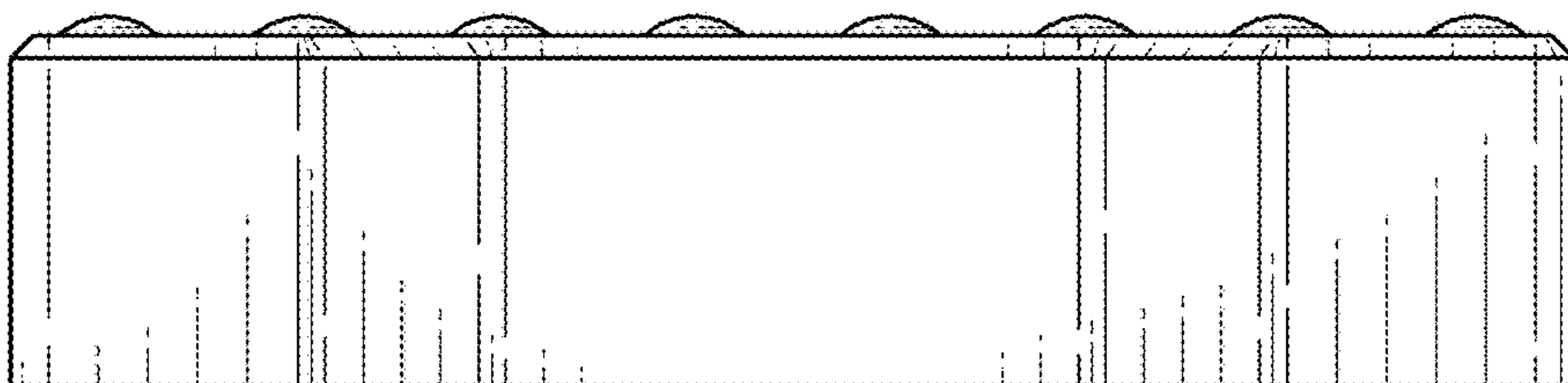


FIG. 7