



US00D910205S

(12) **United States Design Patent** (10) **Patent No.:** **US D910,205 S**  
**Nakata** (45) **Date of Patent:** **\*\* Feb. 9, 2021**

(54) **OFFICE BOOTH**

(71) Applicant: **Okamura Corporation**, Yokohama (JP)

(72) Inventor: **Yoshinori Nakata**, Yokohama (JP)

(73) Assignee: **Okamura Corporation**, Yokohama (JP)

(\*\*) Term: **15 Years**

(21) Appl. No.: **29/686,449**

(22) Filed: **Apr. 4, 2019**

(30) **Foreign Application Priority Data**

Oct. 5, 2018 (JP) ..... 2018-022037

(51) **LOC (13) Cl.** ..... **06-06**

(52) **U.S. Cl.**  
USPC ..... **D25/16**

(58) **Field of Classification Search**  
USPC ..... D6/640; D21/834, 837, 838; D25/1, 4,  
D25/15-35

CPC ..... E04H 1/02; E04H 1/12; E04H 1/1205;  
E04H 1/14; E04H 1/125-1277; E04H  
9/12; E04H 9/14; E04H 9/16; E04H  
15/001; E04H 15/008; E04H 15/38; E04H  
2001/1283-1294

See application file for complete search history.

(56) **References Cited**

**U.S. PATENT DOCUMENTS**

D732,692 S \* 6/2015 Hallfors ..... D25/16  
D788,318 S \* 5/2017 Jennings ..... D25/16  
D844,811 S \* 4/2019 Zhu ..... D25/16  
D844,813 S \* 4/2019 Zhu ..... D25/16  
D844,814 S \* 4/2019 Zhu ..... D25/16  
D844,816 S \* 4/2019 Zhu ..... D25/16  
D857,233 S \* 8/2019 Zhu ..... D25/16  
D857,234 S \* 8/2019 Zhu ..... D25/16  
D870,316 S \* 12/2019 Haveri ..... D25/16

D880,000 S \* 3/2020 Albarran ..... D25/16  
D886,324 S \* 6/2020 Haveri ..... D25/16  
2018/0305943 A1\* 10/2018 Pucci ..... E04H 1/125

**FOREIGN PATENT DOCUMENTS**

EM 001654989-0007 \* 3/2010

**OTHER PUBLICATIONS**

Office Phone Booth & Meeting Box Silen Space Privacy Pods  
<https://silenspace.com/> May 2018 (Year: 2018).\*  
Okamura Telecube [https://www.okamura.co.jp/company/topics/office/2018/work\\_booth.php](https://www.okamura.co.jp/company/topics/office/2018/work_booth.php) Nov. 6, 2018 (Year: 2018).\*  
Telecube by Okamura <https://kyodonewsprwire.jp/release/201909301519> Posted Sep. 30, 2019 (Year: 2019).\*

\* cited by examiner

*Primary Examiner* — Leanne Was-Englehart  
(74) *Attorney, Agent, or Firm* — Sughrue Mion, PLLC

(57) **CLAIM**

The ornamental design for an office booth, as shown and described.

**DESCRIPTION**

FIG. 1 is a perspective view of an office booth showing my design;  
FIG. 2 is a front elevation view thereof;  
FIG. 3 is a rear elevation view thereof;  
FIG. 4 is a right side elevation view thereof; the left side elevation view is a mirror image of identical with the right side elevation view;  
FIG. 5 is a top plan view thereof; and  
FIG. 6 is a bottom plan view thereof.  
The broken lines depict portions of the office booth that form no part of the claimed design.

**1 Claim, 6 Drawing Sheets**

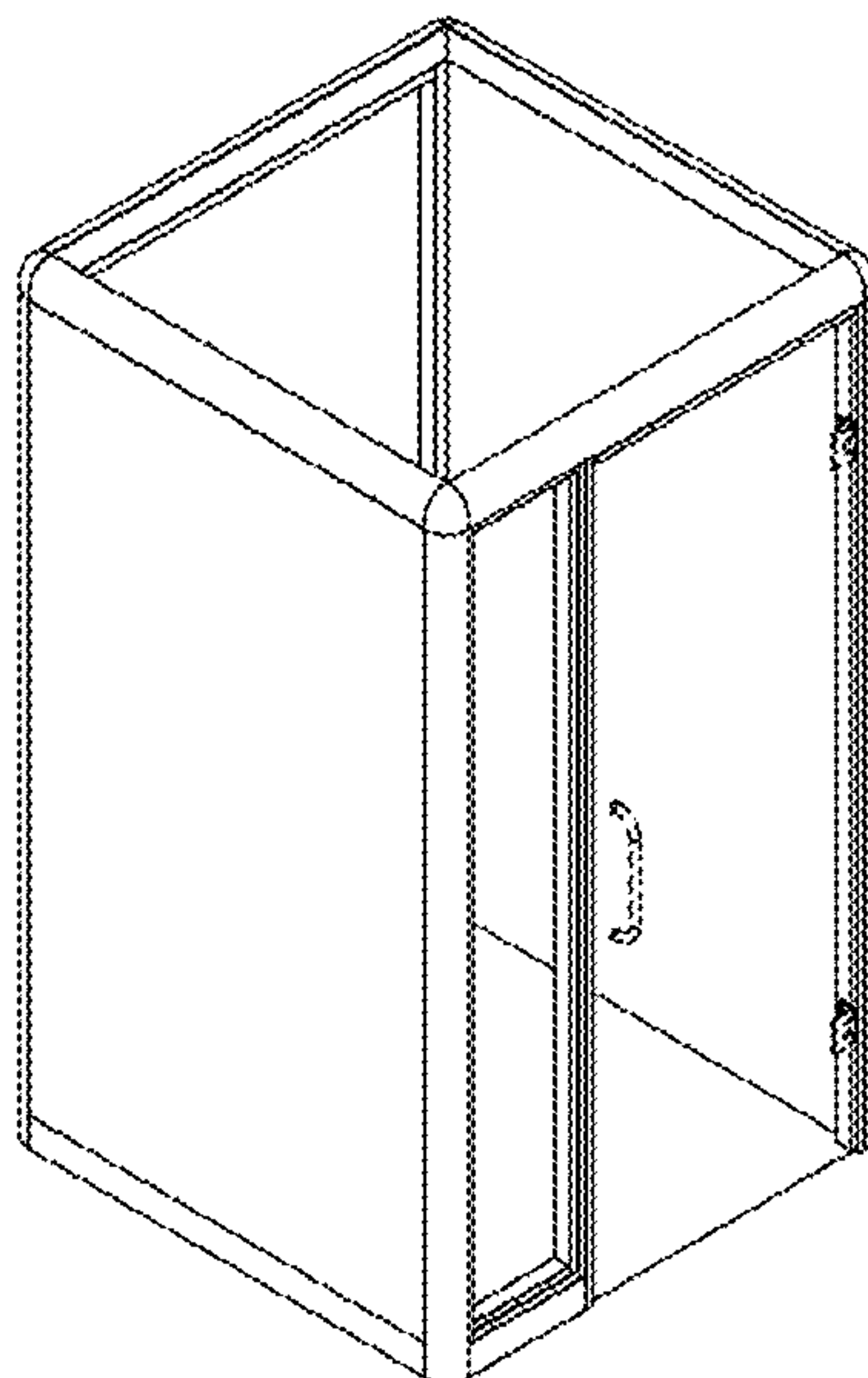


FIG. 1

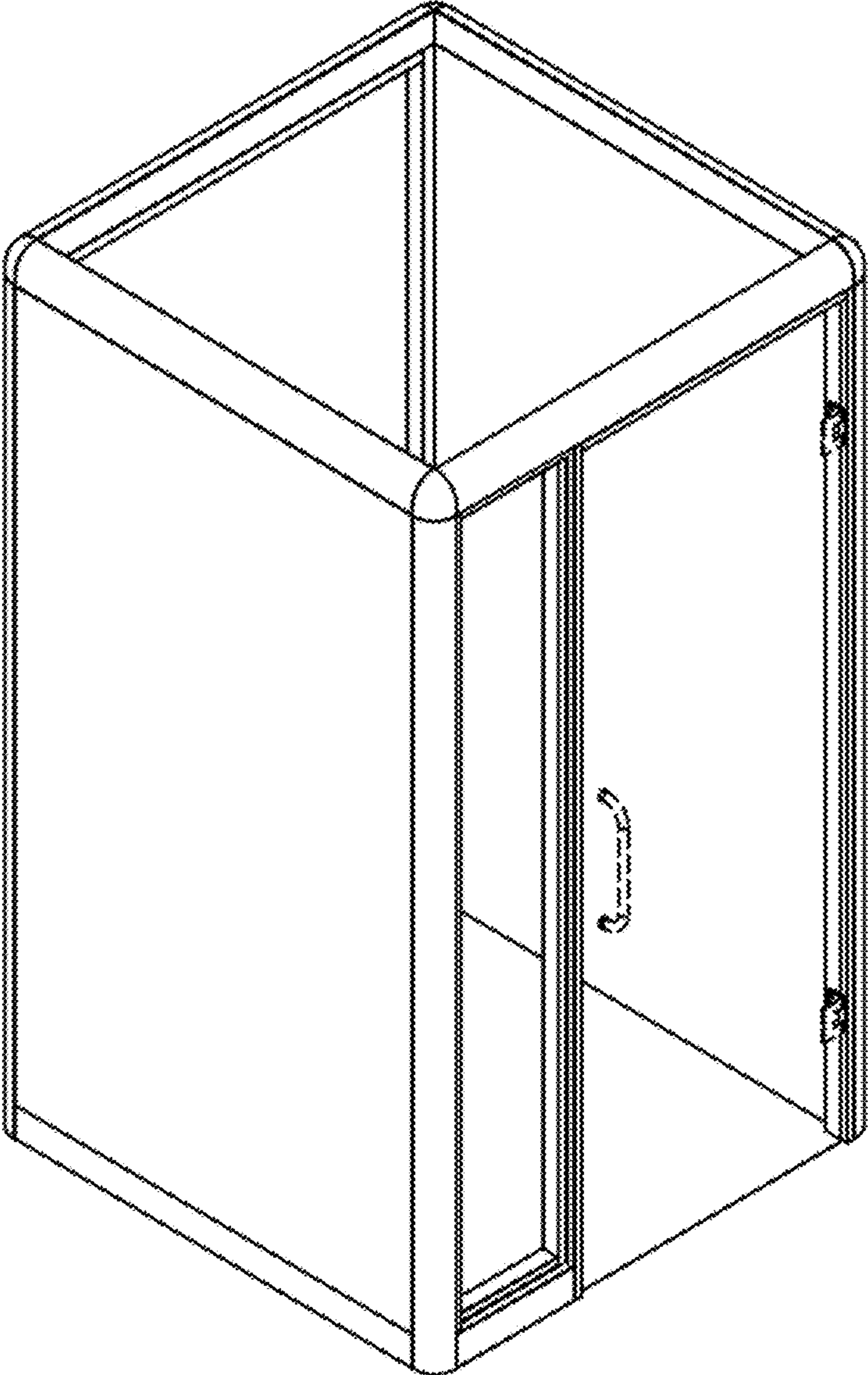


FIG. 2

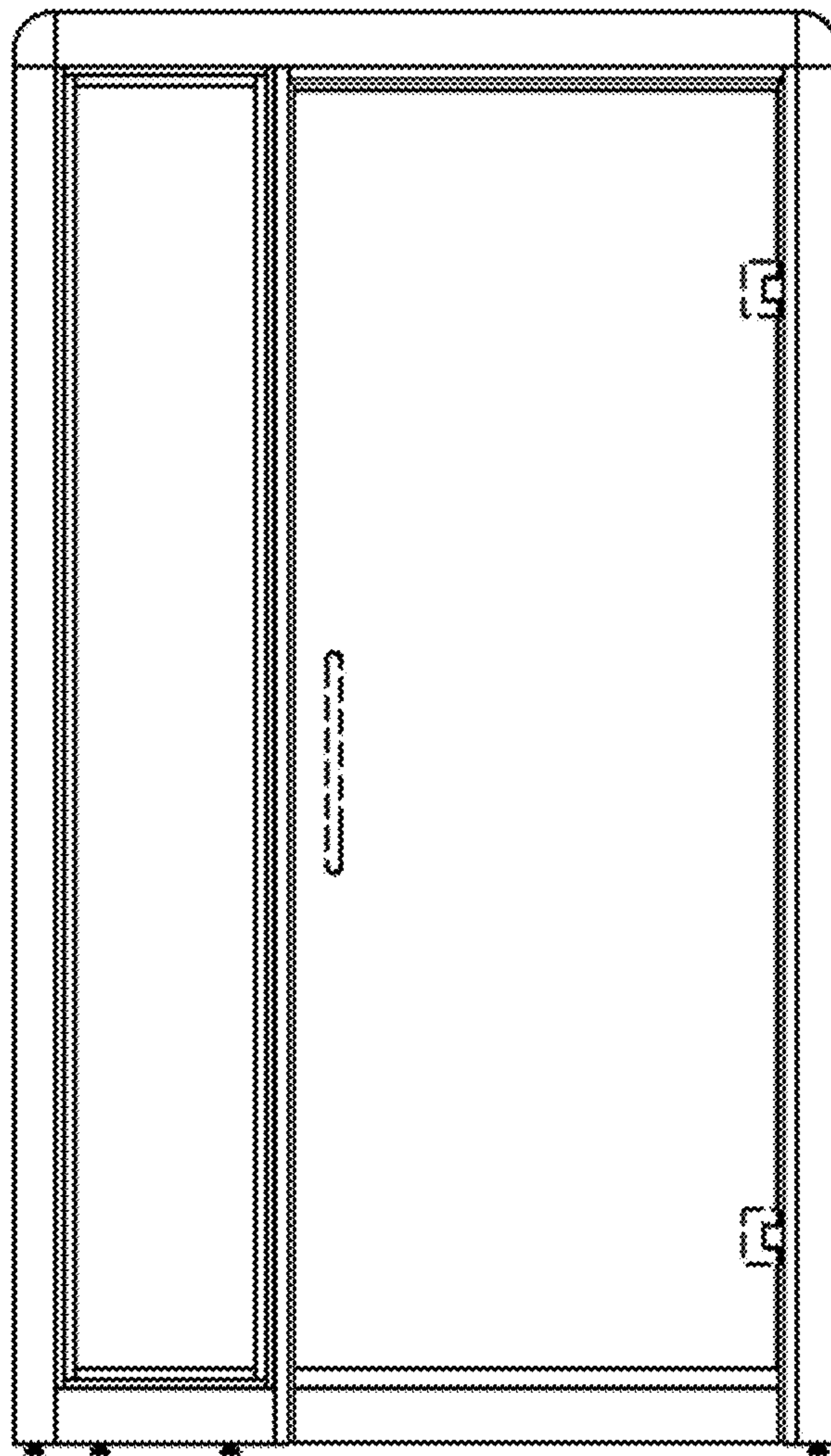


FIG. 3

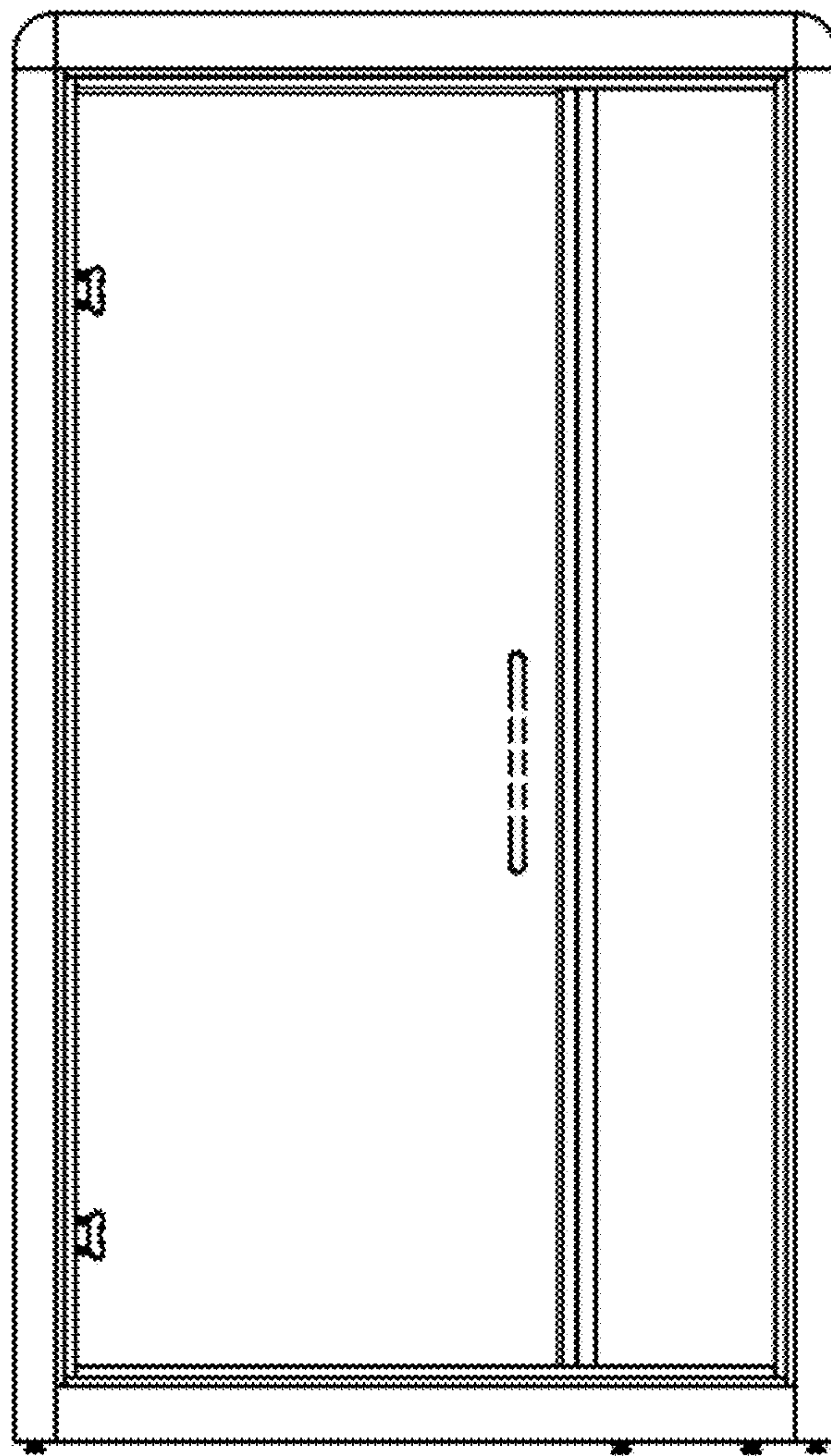




FIG. 4

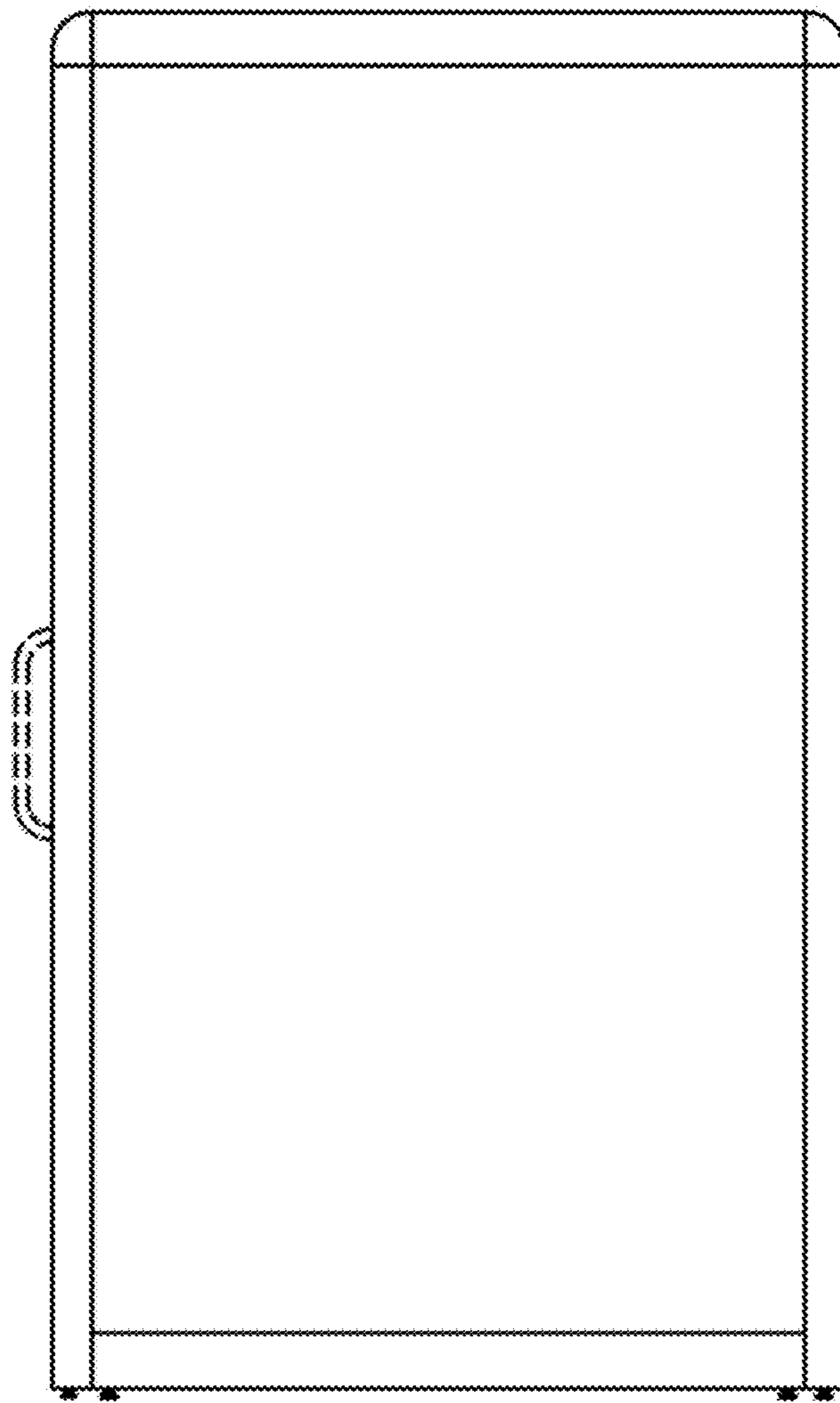


FIG. 5

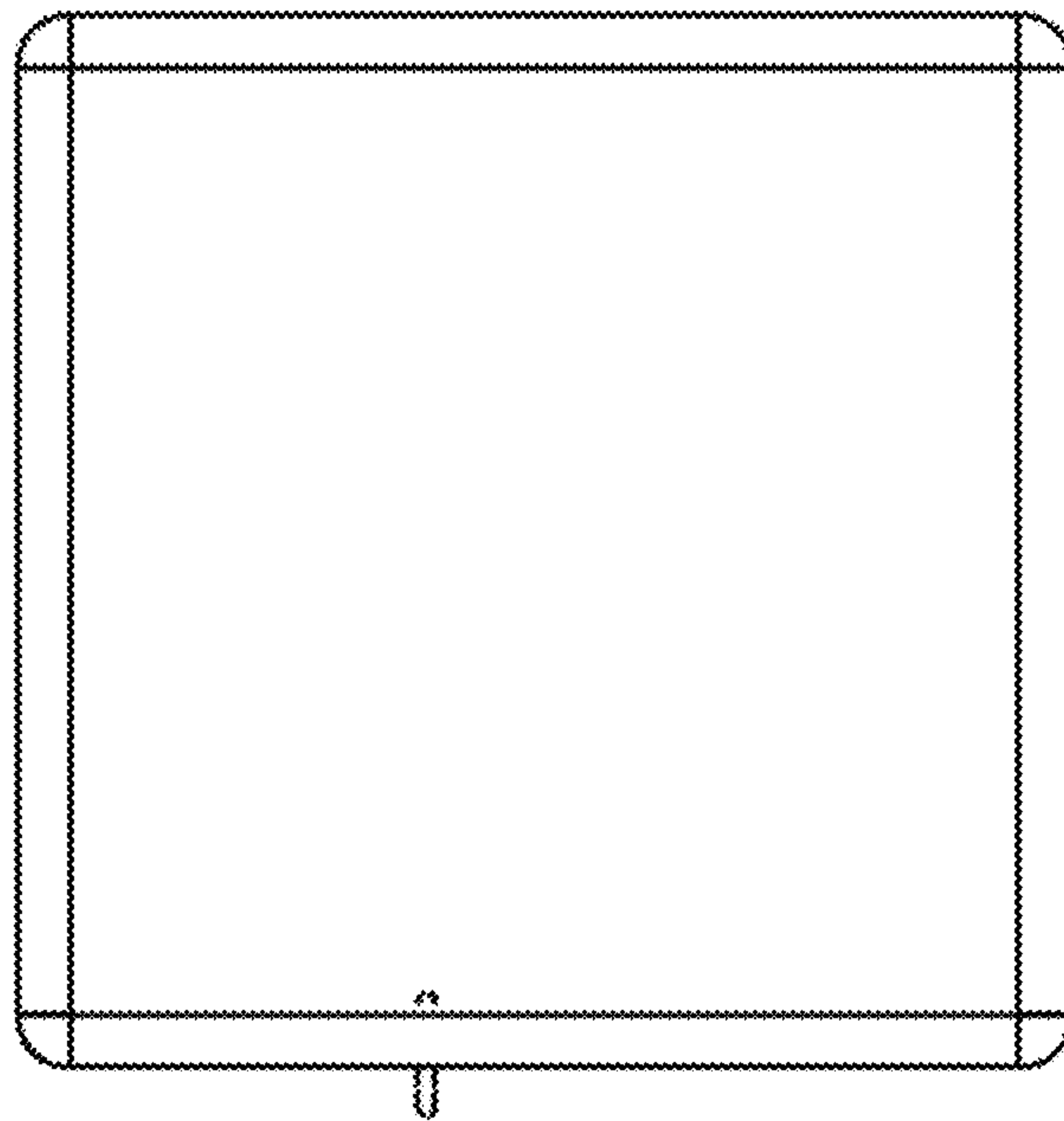


FIG. 6

