



US00D910204S

(12) **United States Design Patent** (10) **Patent No.:** **US D910,204 S**
Song (45) **Date of Patent:** **** Feb. 9, 2021**

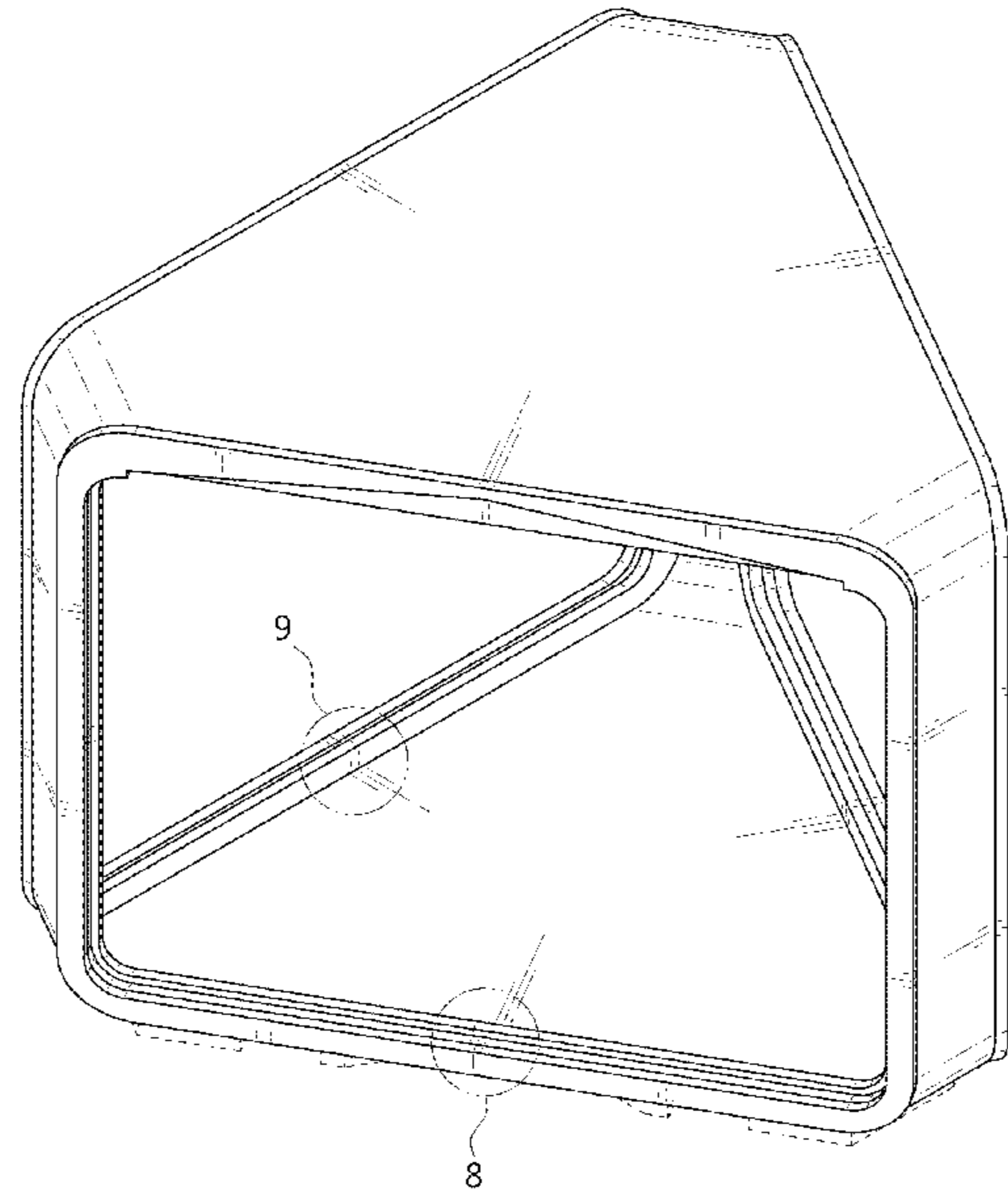
(54) **MODULAR STRUCTURE FOR TRANSPORTABLE BUILDING**
(71) Applicant: **Jong Woon Song**, Gwangju (KR)
(72) Inventor: **Jong Woon Song**, Gwangju (KR)
(**) Term: **15 Years**
(21) Appl. No.: **29/665,208**
(22) Filed: **Oct. 1, 2018**
(30) **Foreign Application Priority Data**
Aug. 10, 2018 (KR) 30-2018-0037308
(51) **LOC (13) Cl.** **25-03**
(52) **U.S. Cl.**
USPC **D25/4; D25/35**
(58) **Field of Classification Search**
USPC D25/1, 4, 16, 18-23, 31-35; D12/320
(Continued)
(56) **References Cited**
U.S. PATENT DOCUMENTS
2,154,897 A * 4/1939 Grant E04H 1/02
52/79.4
D220,944 S * 6/1971 Thomson D25/18
(Continued)
FOREIGN PATENT DOCUMENTS
CH 369889 A * 6/1963
DE 1958729 A1 * 6/1970
(Continued)

Primary Examiner — Brett Miller
(74) *Attorney, Agent, or Firm* — Brooks, Cameron & Huebsch, PLLC

(57) **CLAIM**
The ornamental design for a modular structure for transportable building, as shown and described.

DESCRIPTION
FIG. 1 is a perspective view of a modular structure for transportable building, showing my new design;
FIG. 2 is a front view thereof;
FIG. 3 is a rear view thereof;
FIG. 4 is a left-side view thereof;
FIG. 5 is a right-side view thereof;
FIG. 6 is a top view thereof;
FIG. 7 is a bottom view thereof;
FIG. 8 is an enlarged view of portion 8 encircled in FIG. 1;
FIG. 9 is an enlarged view of portion 9 encircled in FIG. 1;
FIG. 10 is an exploded view of FIG. 1;
FIG. 11 is front perspective view thereof, in which glass doors are provided in broken lines to show environment of use;
FIG. 12 is another perspective view thereof, in which container house modules in broken lines are provided to illustrate an environment of use;
FIG. 13 is another perspective view thereof, in which further modules in broken lines are provided to illustrate an environment of use; and
FIG. 14 is another perspective view thereof, in which further modules in broken lines are provided to illustrate an environment of use.
The short dash-dash broken lines in the figures depicting portions of the modular structure for transportable building form no part of the claimed design.
The short dash-dash broken lines in FIG. 11 showing the glass doors and the short dash-dash broken lines in FIGS. 12 to 14 showing the further modules depict environmental structure and form no part of the claimed design.
The dot-dot-dash broken lines in FIGS. 1, 8, and 9 that encircle the portions of the drawing disclosure illustrated in enlargements form no part of the claimed design.

1 Claim, 14 Drawing Sheets



US D910,204 S

Page 2

- (58) **Field of Classification Search**
CPC E04H 1/005; E04H 1/02; E04H 1/1205;
E04B 1/34321; E04B 1/34807
See application file for complete search history.

(56) **References Cited**

U.S. PATENT DOCUMENTS

D220,945 S * 6/1971 Hughes D25/18
D222,047 S * 9/1971 Brenner D25/33
3,646,718 A * 3/1972 McKenna E04B 1/34815
52/79.4
3,690,077 A * 9/1972 Dalgliesh, Jr. E04B 1/34846
52/79.8
3,707,813 A * 1/1973 Cymbrowitz E04B 1/34807
52/79.11
D227,006 S * 5/1973 Laitinen D25/33
3,769,766 A * 11/1973 Speidel E04B 1/34846
52/73
3,838,545 A * 10/1974 Kump E04B 1/34815
52/79.8
3,955,328 A * 5/1976 Lindsay E04H 1/005
52/73
D250,964 S * 1/1979 Whitney, Jr. D25/22
D251,503 S * 4/1979 Truitt, Jr. D25/1
D252,216 S * 6/1979 Whitney, Jr. D25/22
D274,158 S * 6/1984 Techenet D25/22

4,462,191 A * 7/1984 Poirier E04H 1/02
52/223.8
4,612,741 A * 9/1986 Jacobson E04B 1/3211
52/223.1
4,669,231 A * 6/1987 Bini E04H 1/005
52/2.11
D308,509 S * 6/1990 Hammero D12/315
D351,011 S * 9/1994 Tsai D21/834
6,484,454 B1 * 11/2002 Everhart E04H 1/02
52/169.6
D641,090 S * 7/2011 Clark D25/16
D735,352 S * 7/2015 Olsen D25/16
D736,949 S * 8/2015 Dar D25/16
D739,333 S * 9/2015 Goode D12/320
D744,256 S * 12/2015 Schoors D6/383
D787,704 S * 5/2017 Walter D25/16
D853,584 S * 7/2019 Wee D25/4
D895,149 S * 9/2020 Hulle D25/18
2016/0002911 A1 * 1/2016 Hedler E04H 1/1205
52/582.1

FOREIGN PATENT DOCUMENTS

DE 3232838 A1 * 3/1984
FR 2510645 A1 * 2/1983
GB 2081768 A * 2/1982

* cited by examiner

FIG. 1

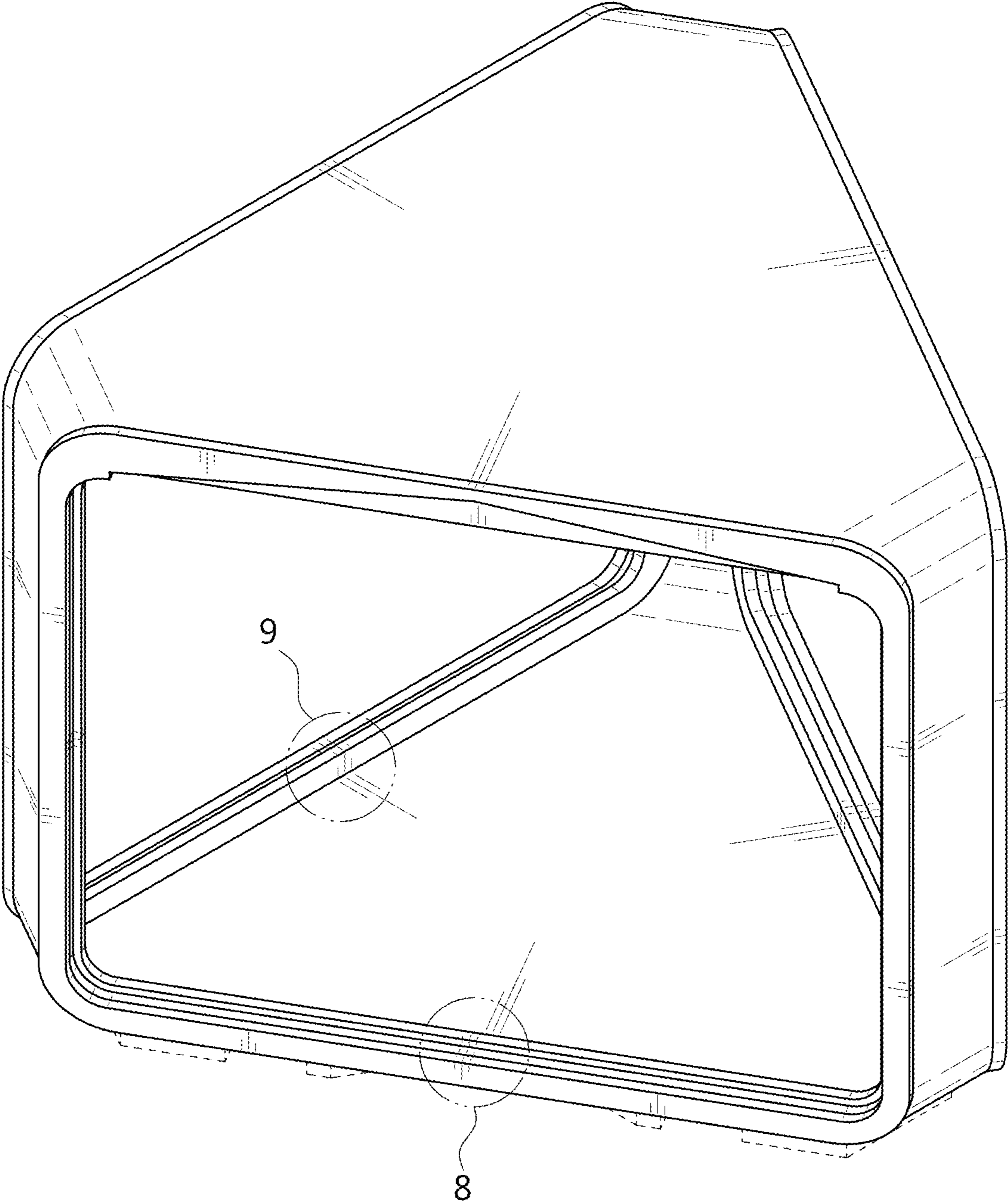


FIG. 2

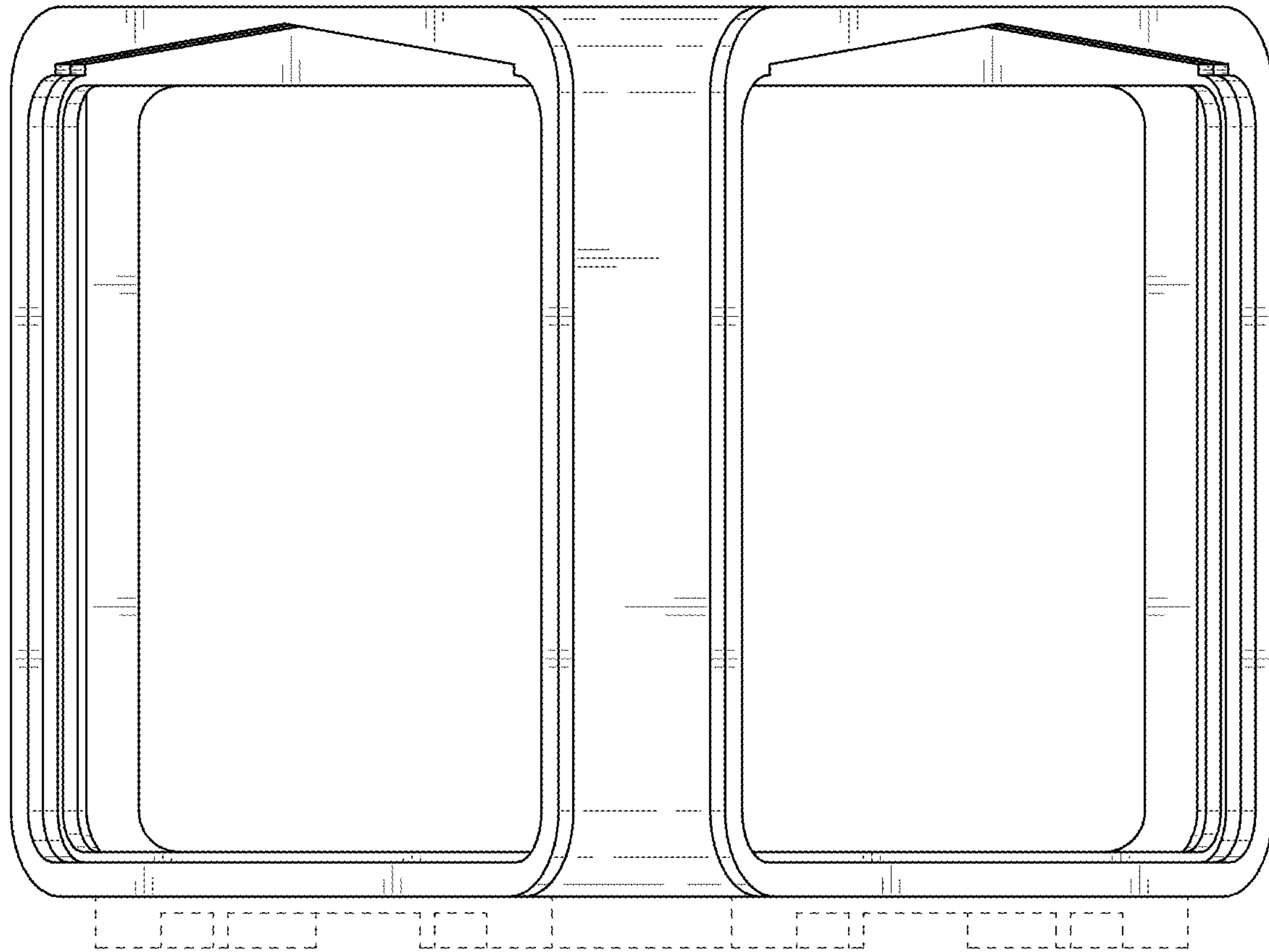


FIG. 3

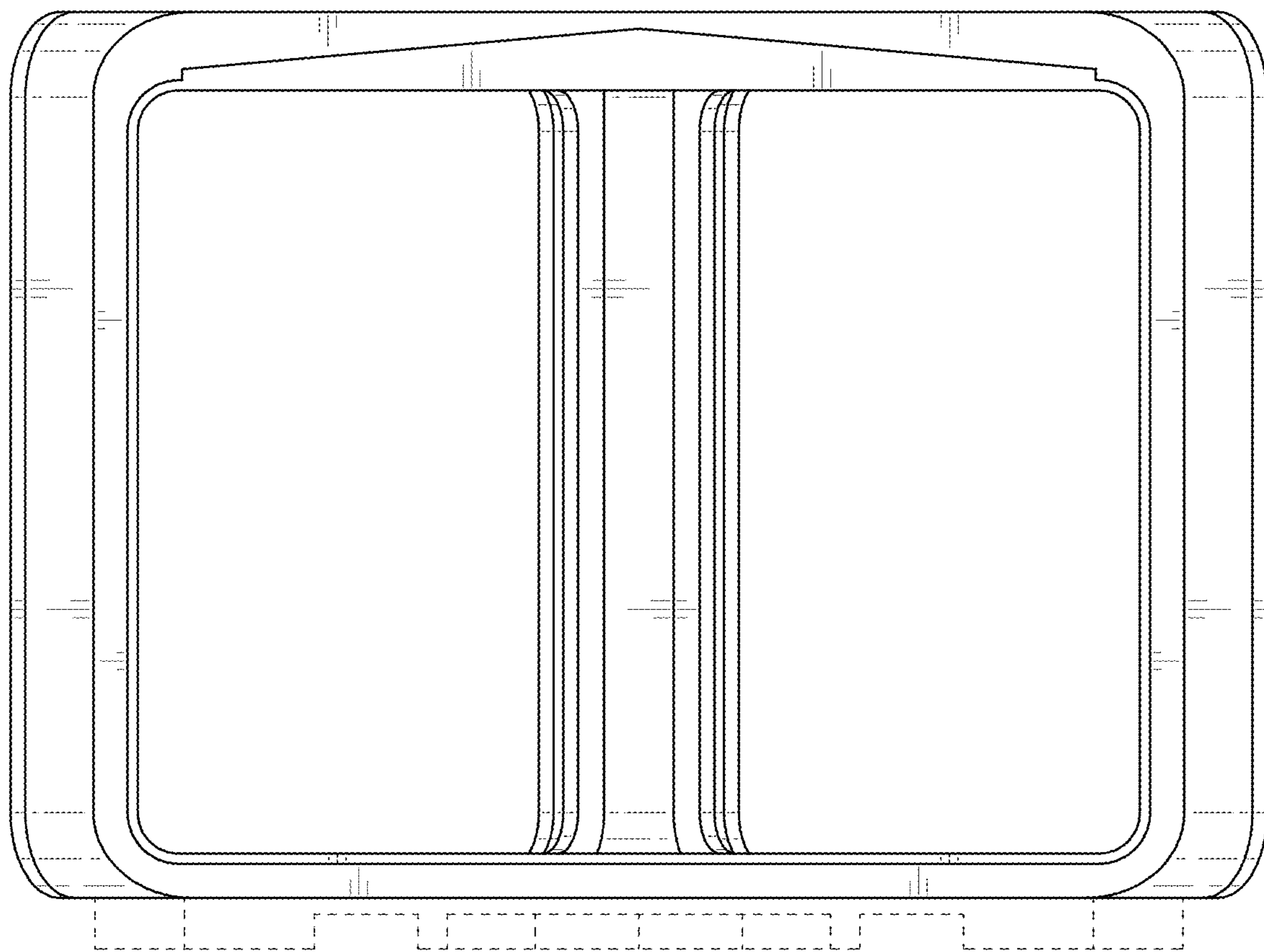


FIG. 4

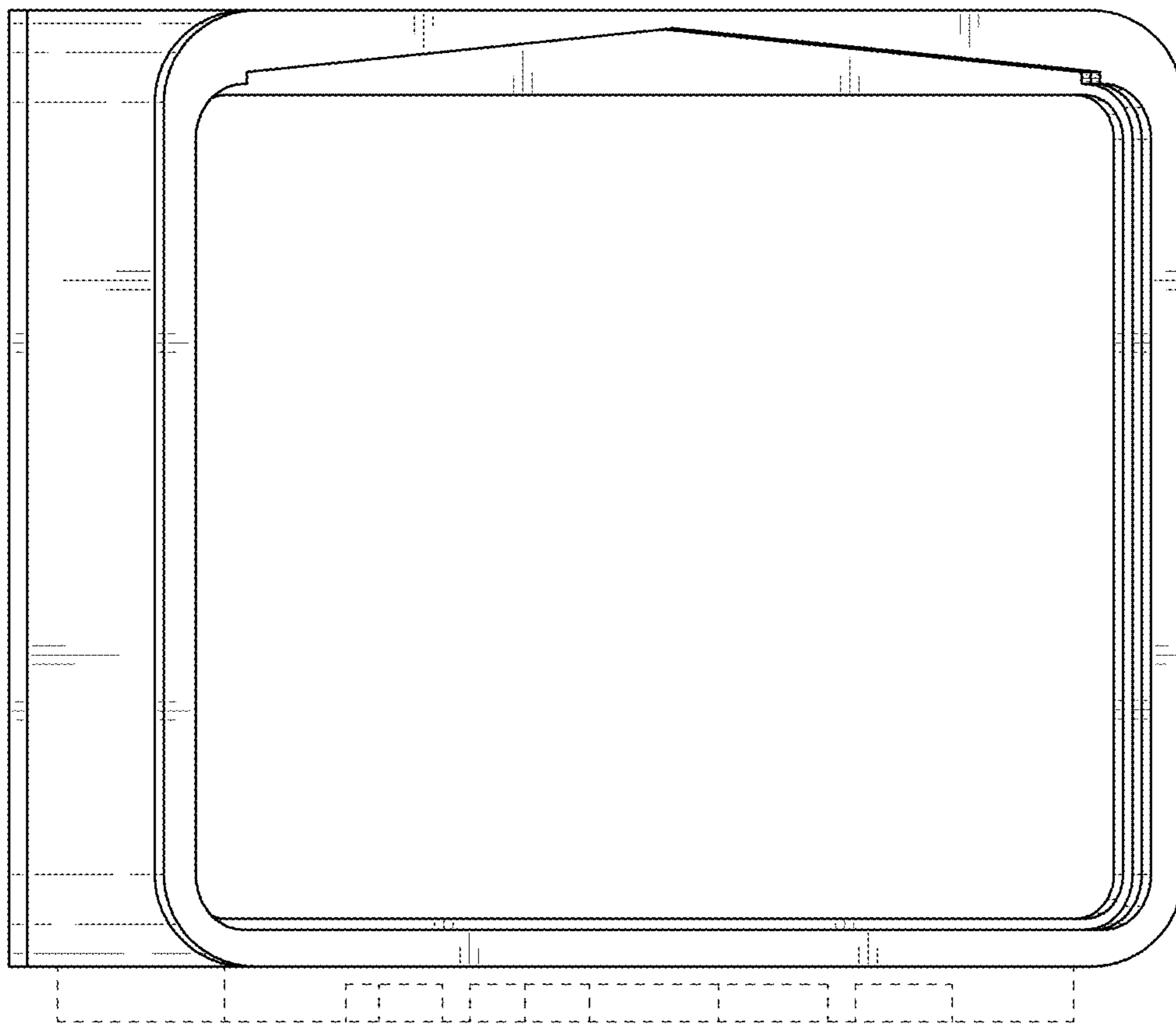


FIG. 5

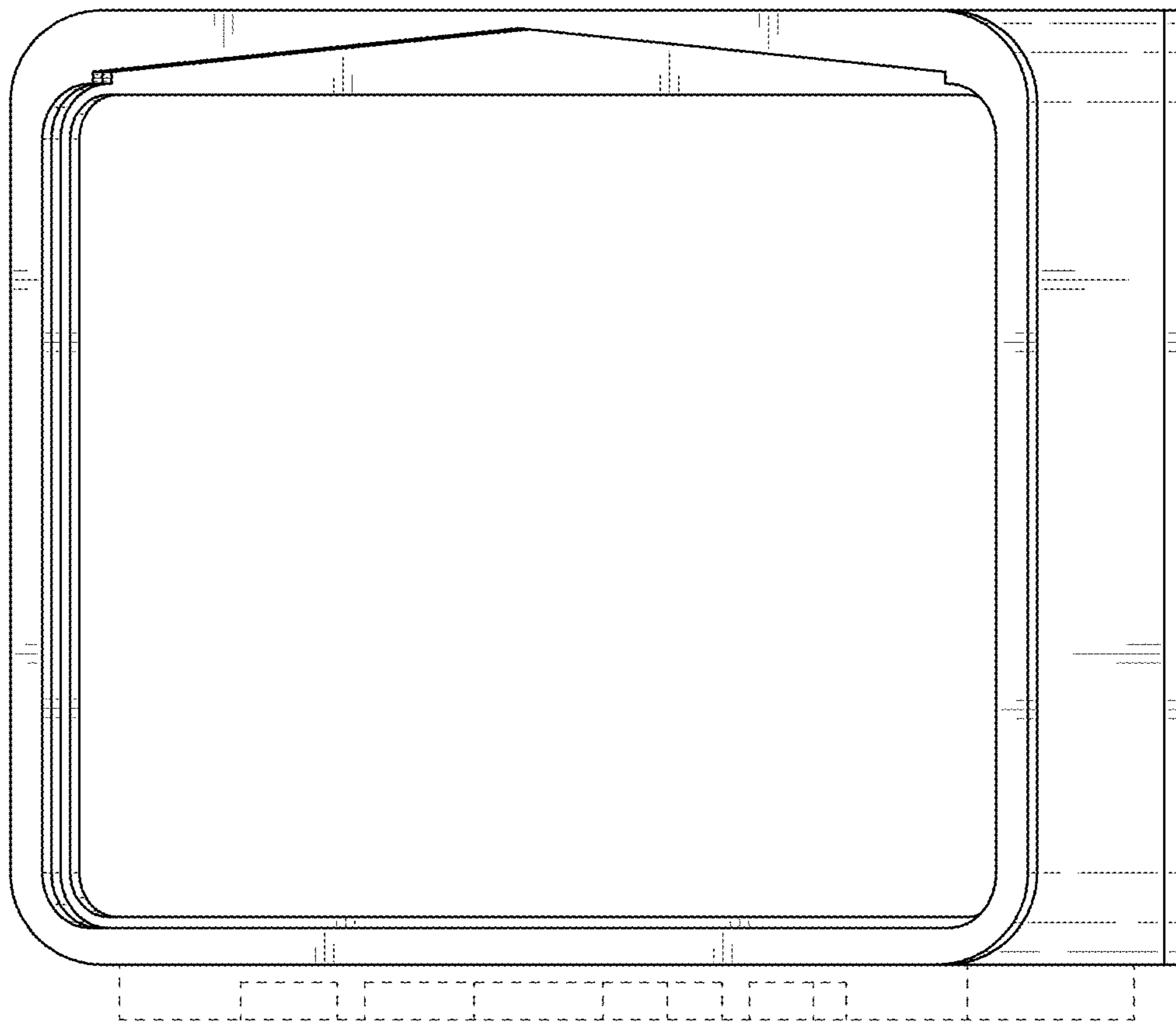


FIG. 6

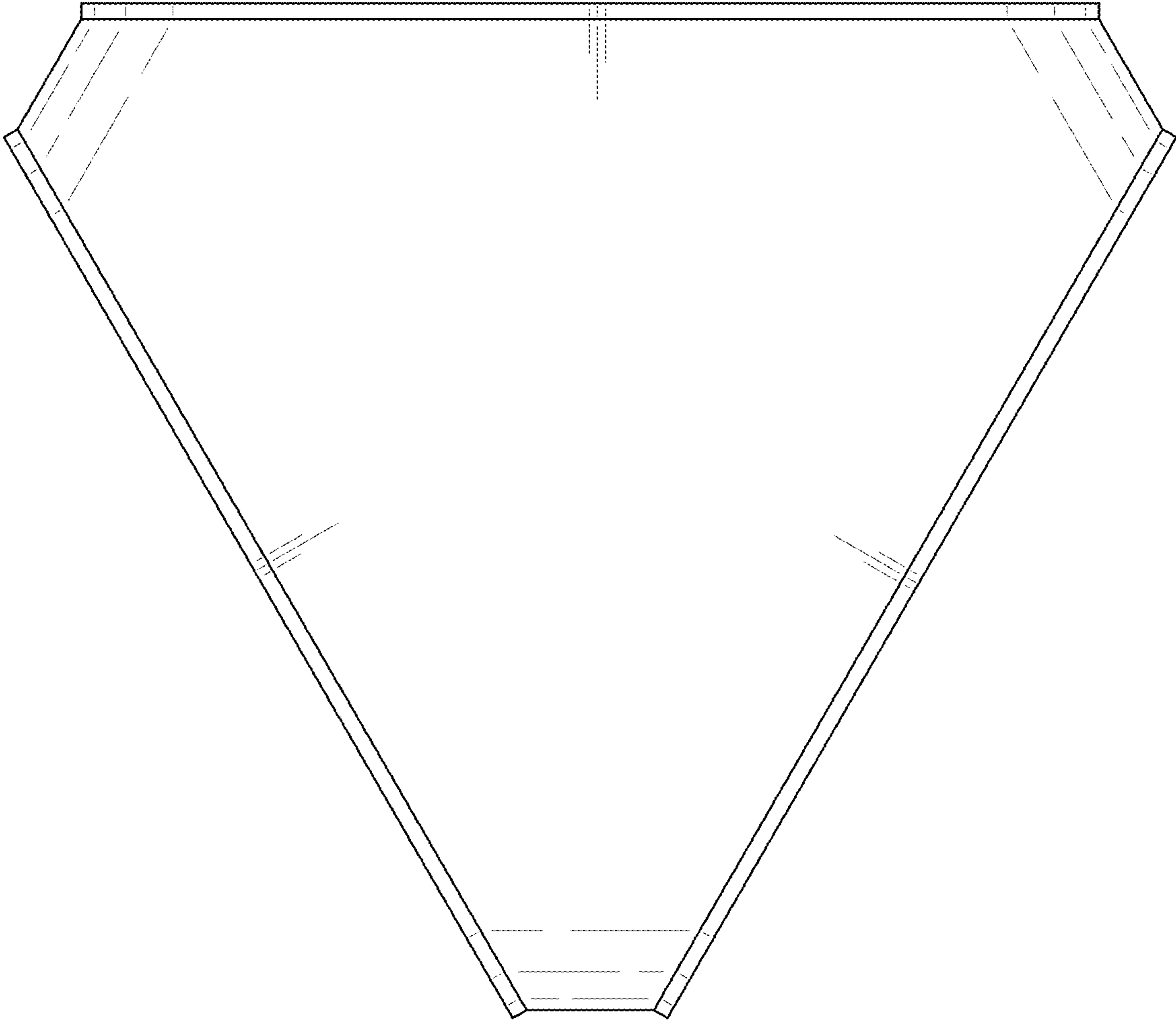


FIG. 7

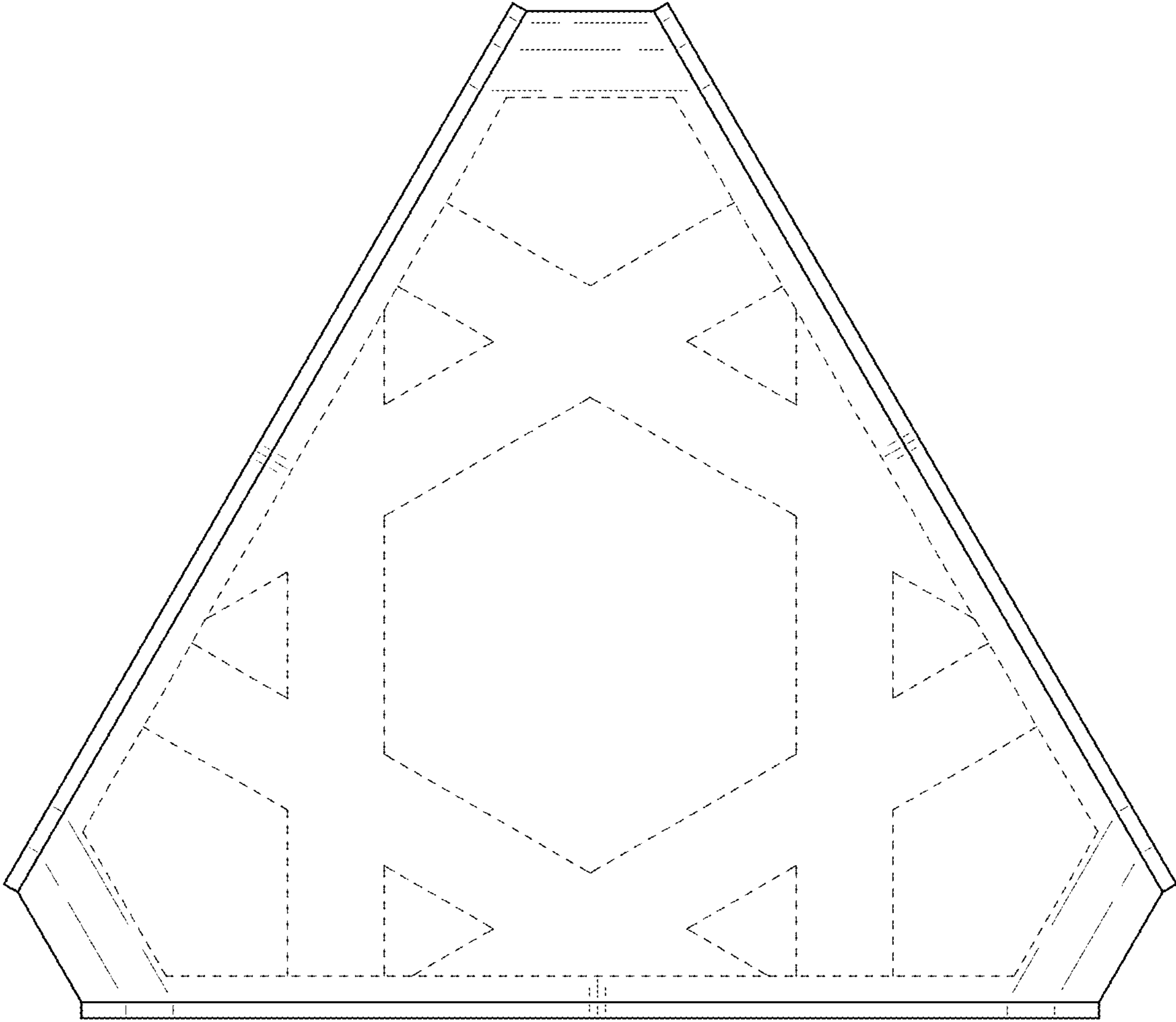


FIG. 8

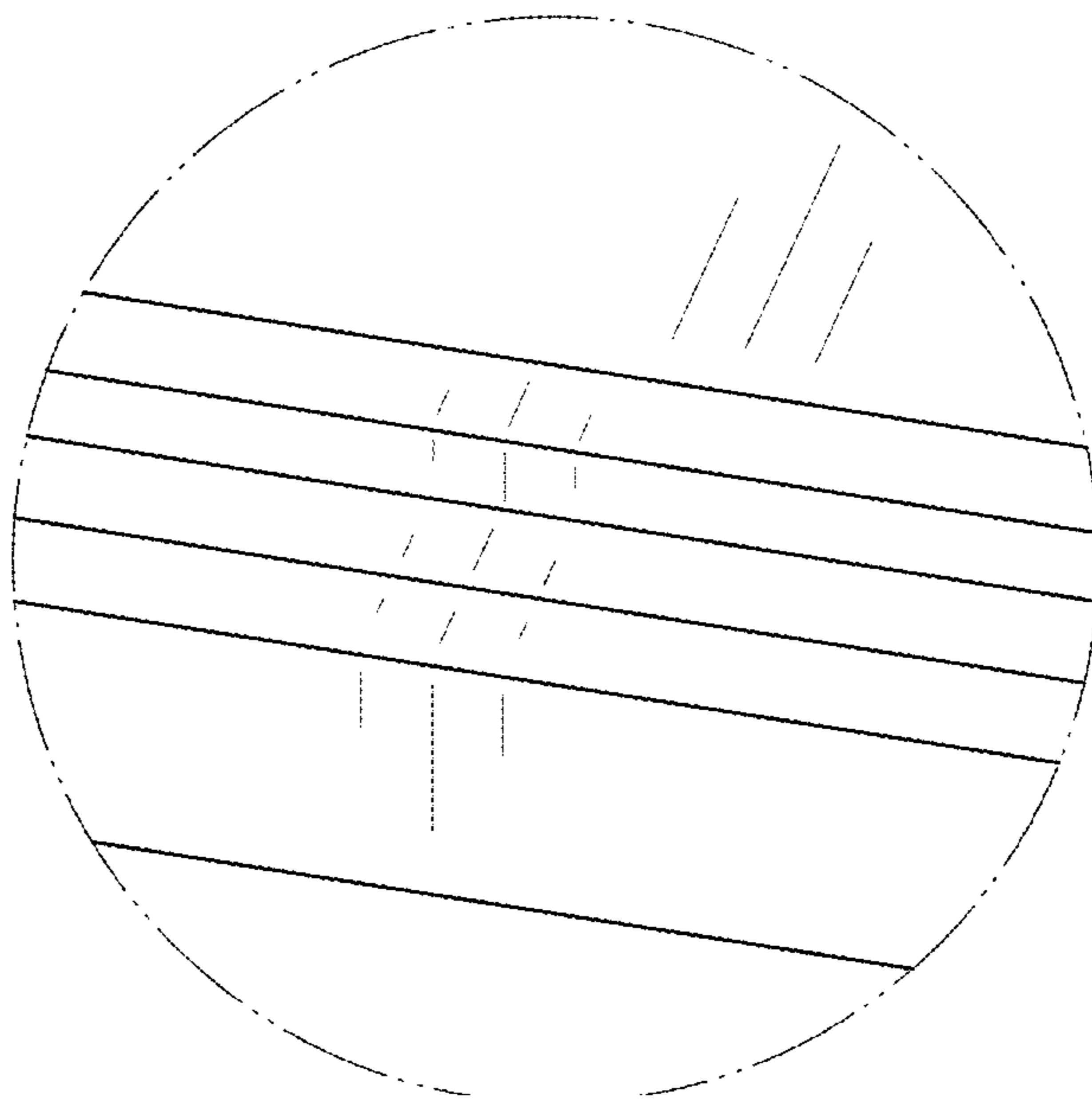


FIG. 9

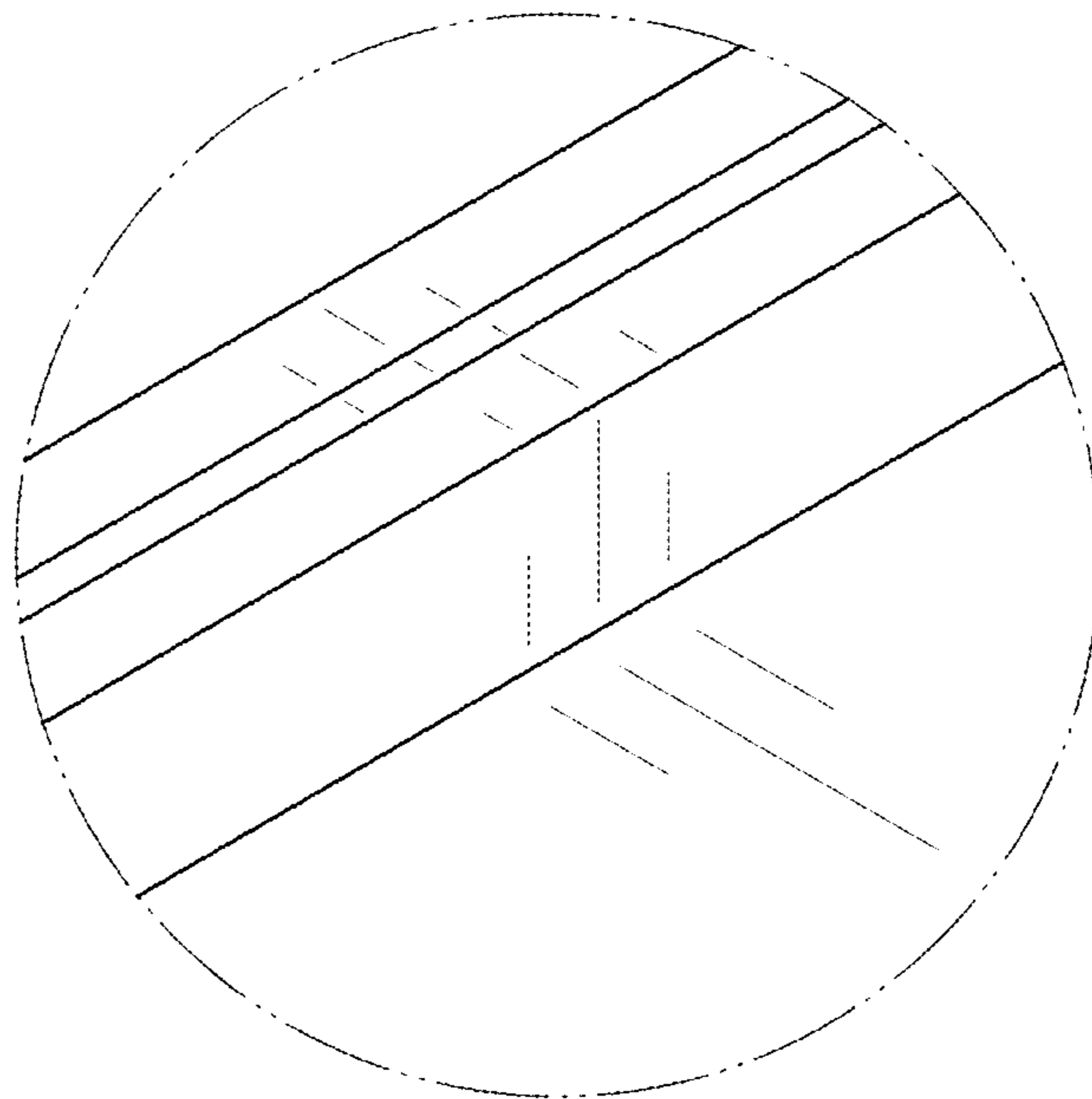


FIG. 10

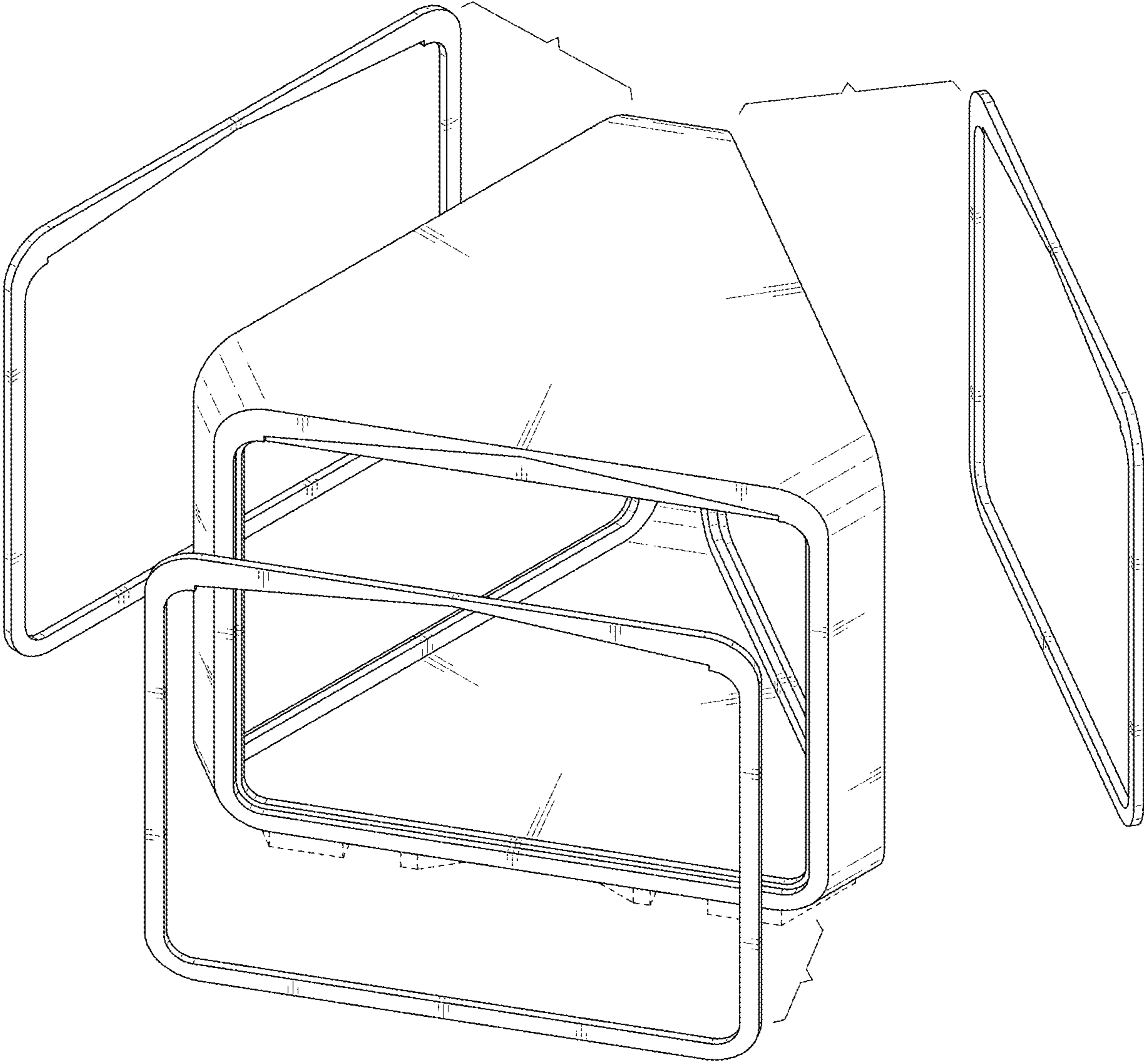


FIG. 11

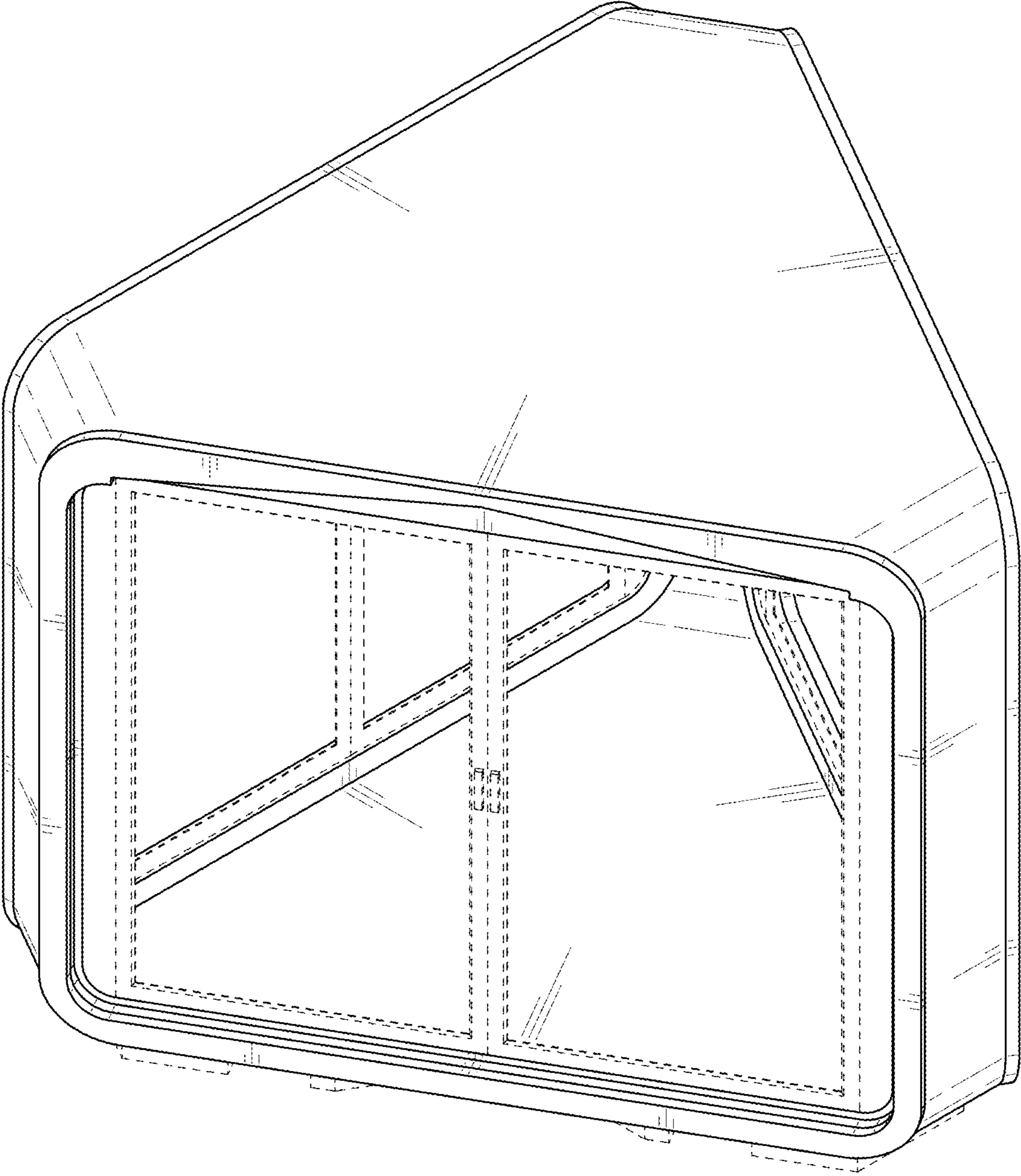


FIG. 12

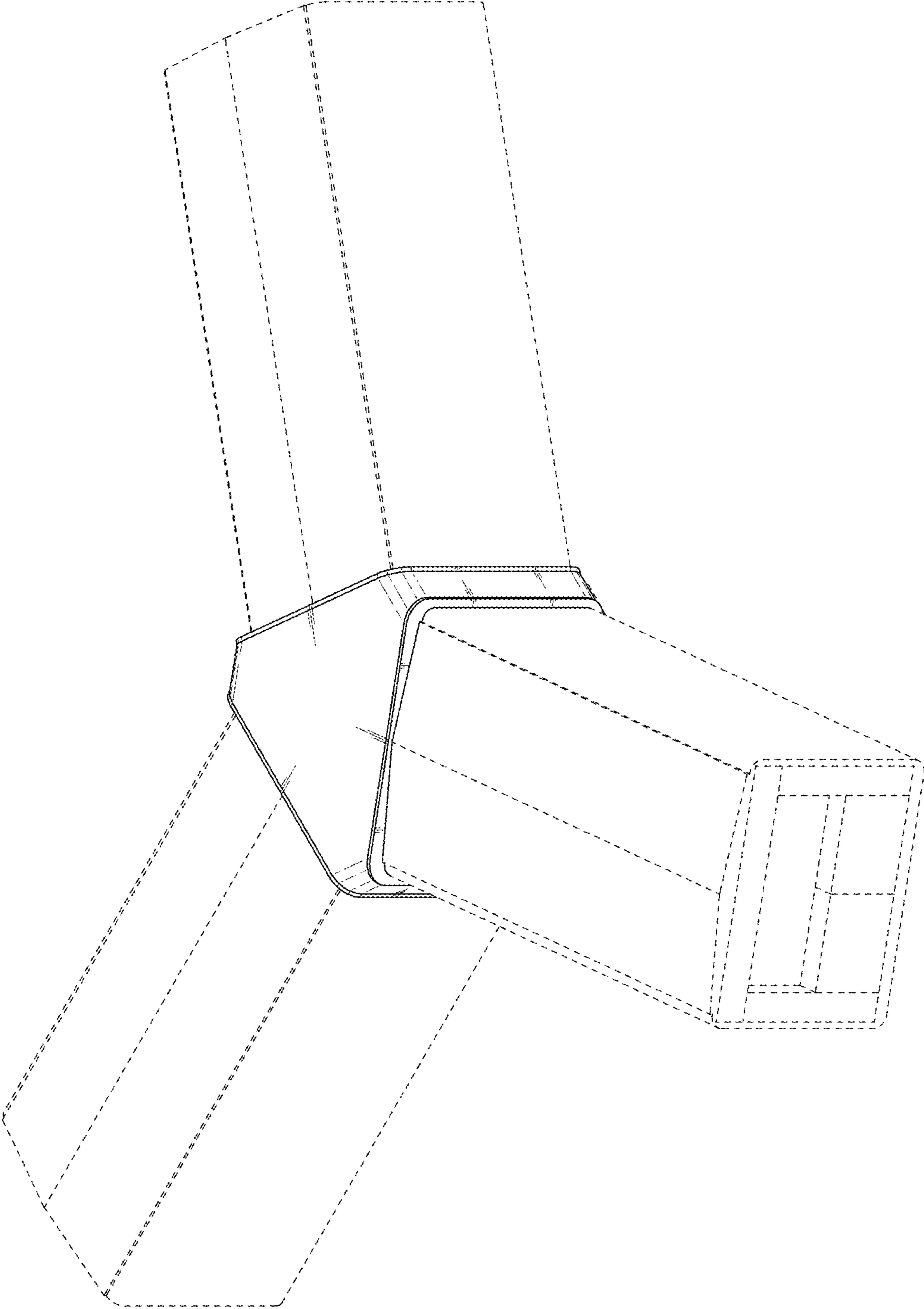


FIG. 13

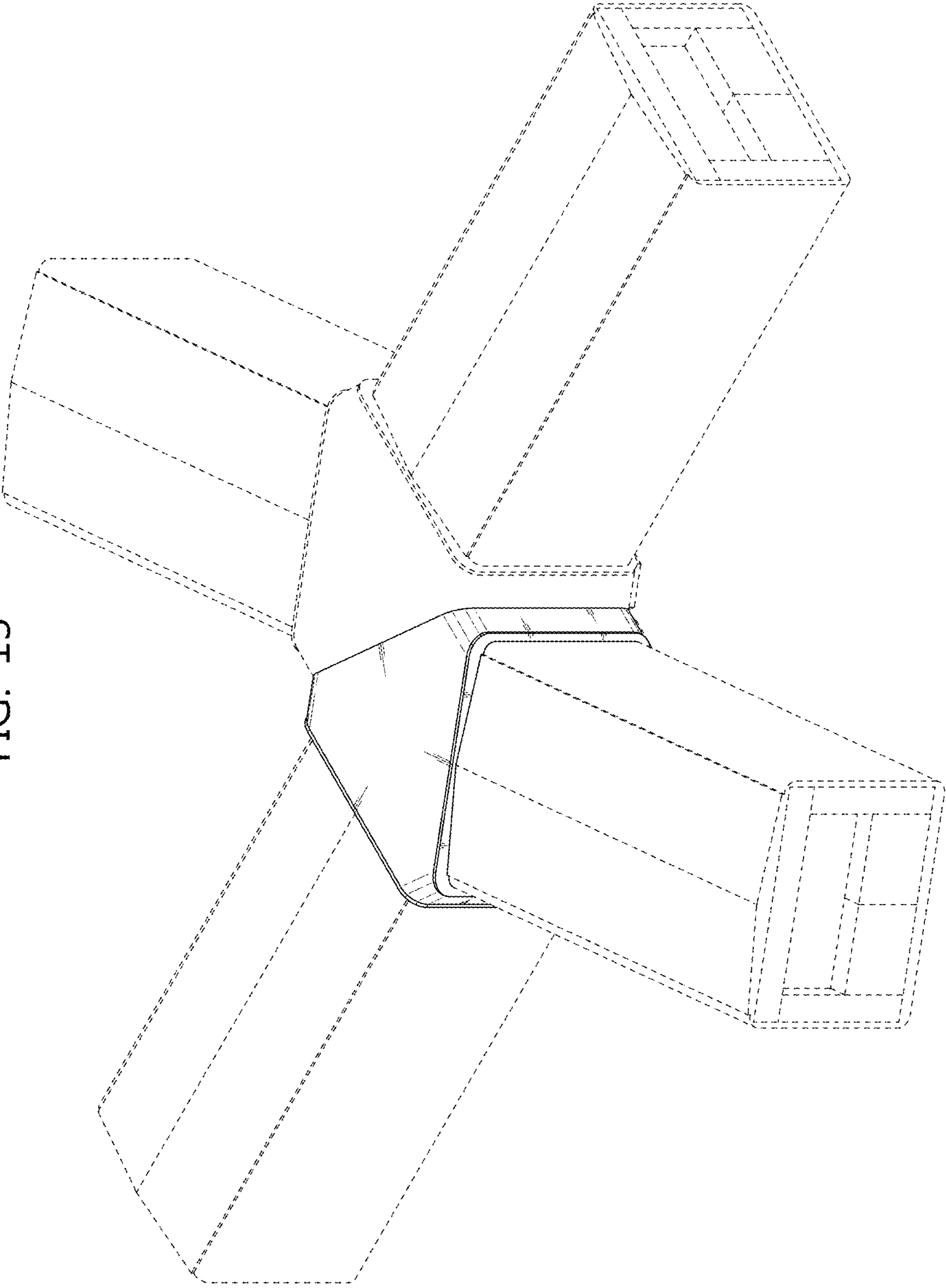


FIG. 14

