



US00D910199S

(12) **United States Design Patent**
Porter

(10) **Patent No.:** **US D910,199 S**

(45) **Date of Patent:** **** Feb. 9, 2021**

(54) **ANALYSIS DEVICE FOR BIOLOGICAL SAMPLES**

(71) Applicant: **Oxford Nanopore Technologies Ltd.,**
Oxford (GB)

(72) Inventor: **Benjamin Porter,** Oxford (GB)

(73) Assignee: **Oxford Nanopore Technologies Ltd.,**
Oxford (GB)

(**) Term: **15 Years**

(21) Appl. No.: **29/690,698**

(22) Filed: **May 9, 2019**

(30) **Foreign Application Priority Data**

Nov. 21, 2018 (GB) 6048647

(51) **LOC (13) Cl.** **24-01**

(52) **U.S. Cl.**
USPC **D24/216**

(58) **Field of Classification Search**
USPC D24/107, 169, 186, 216, 219, 231, 232;
D10/81

CPC G01N 2035/00306; G01N 2035/00326;
G01N 2035/00336; G01N 2030/027;
G01N 21/76; G01N 33/50; G01N 35/025
See application file for complete search history.

(56) **References Cited**

U.S. PATENT DOCUMENTS

D323,893 S * 2/1992 Arioka D24/169
5,397,537 A * 3/1995 Kanda G01N 33/525
422/403

D675,335 S * 1/2013 Feuerabend D24/216
D686,335 S * 7/2013 Feuerabendea D24/216
10,215,768 B2 * 2/2019 Sanghera G01N 33/92
D876,662 S * 2/2020 Huang D24/216
2012/0322679 A1 * 12/2012 Brown G01N 33/48721
506/9

* cited by examiner

Primary Examiner — Anhdao Doan

(74) *Attorney, Agent, or Firm* — Wolf, Greenfield &
Sacks, P.C.

(57) **CLAIM**

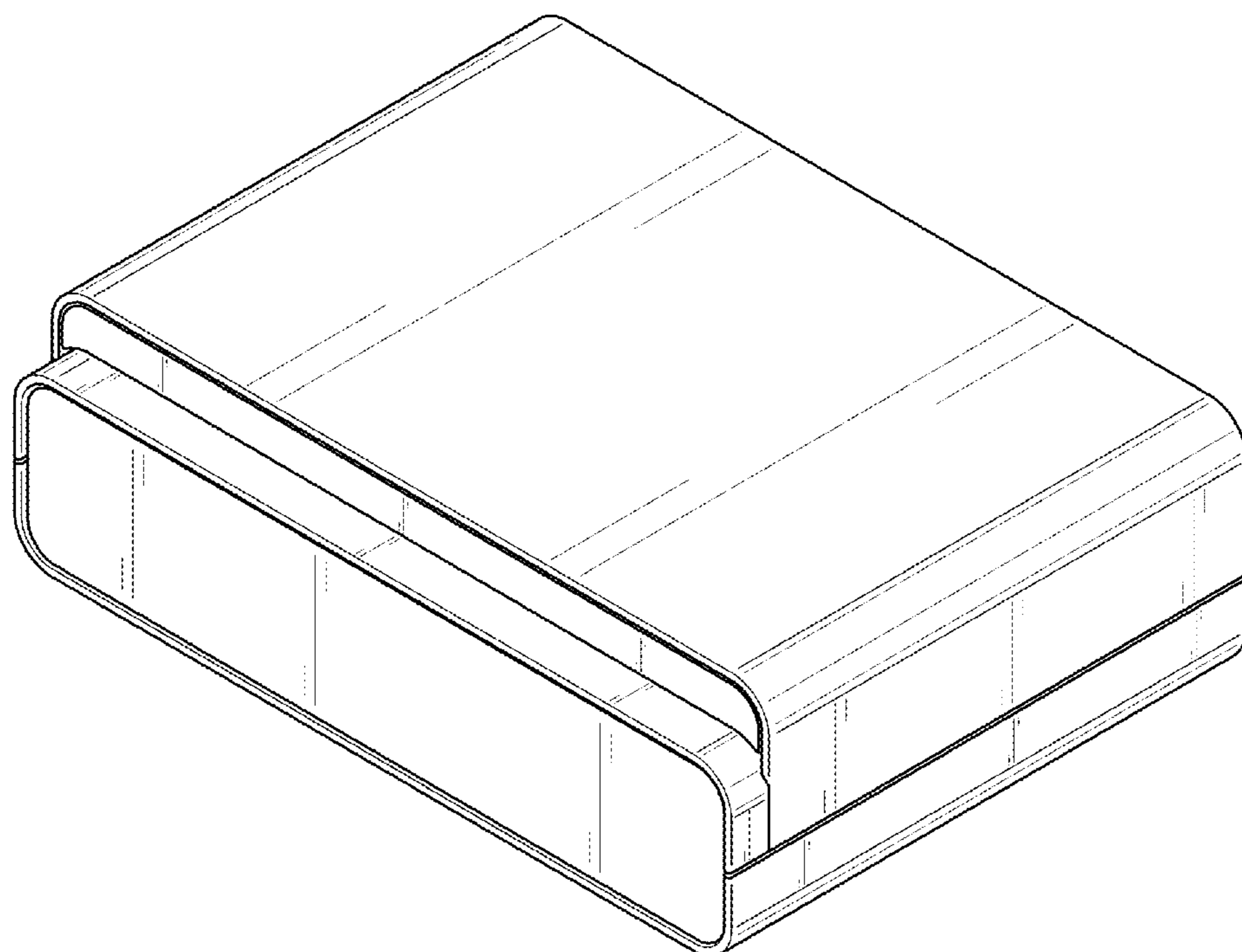
The ornamental design for an analysis device for biological samples, as shown and described.

DESCRIPTION

FIG. 1 is a top, front, right side perspective view of an analysis device for biological samples according to our new design;

FIG. 2 is a bottom, rear, left side perspective view thereof;
FIG. 3 is a front elevation view thereof;
FIG. 4 is a rear elevation view thereof;
FIG. 5 is a left side elevation view thereof;
FIG. 6 is a right side elevation view thereof;
FIG. 7 is a top plan view thereof; and,
FIG. 8 is a bottom plan view thereof.

1 Claim, 8 Drawing Sheets



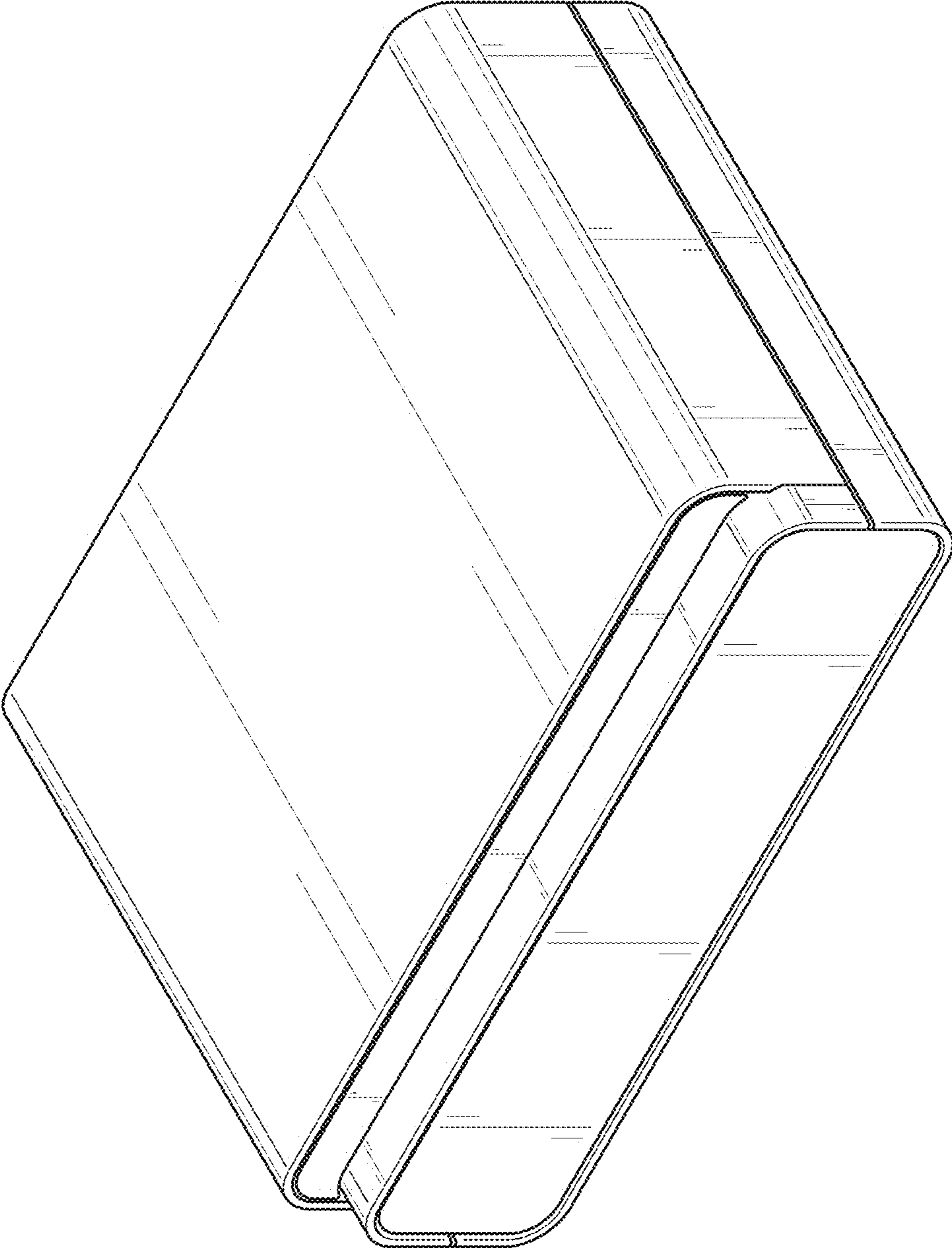


FIG. 1

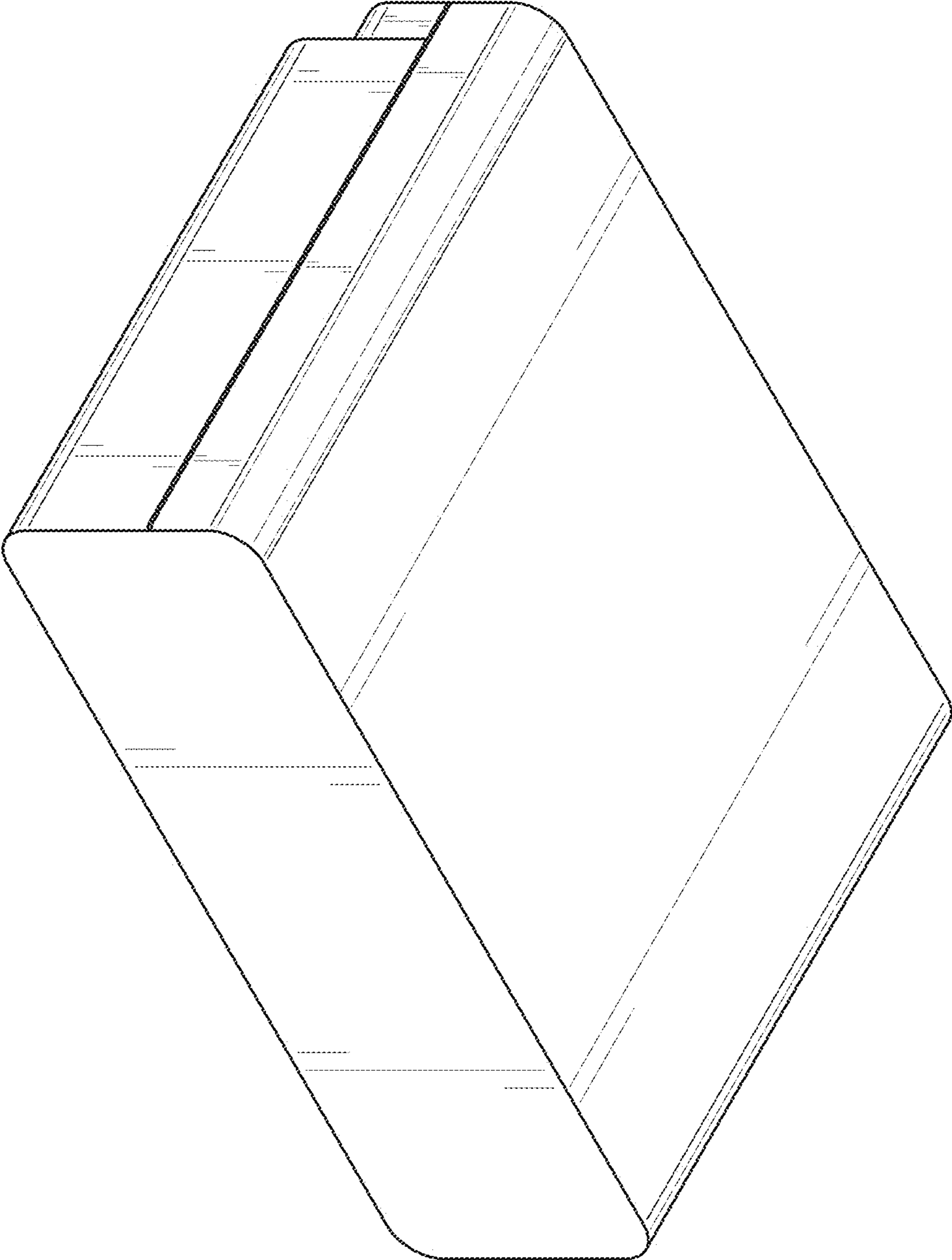


FIG. 2

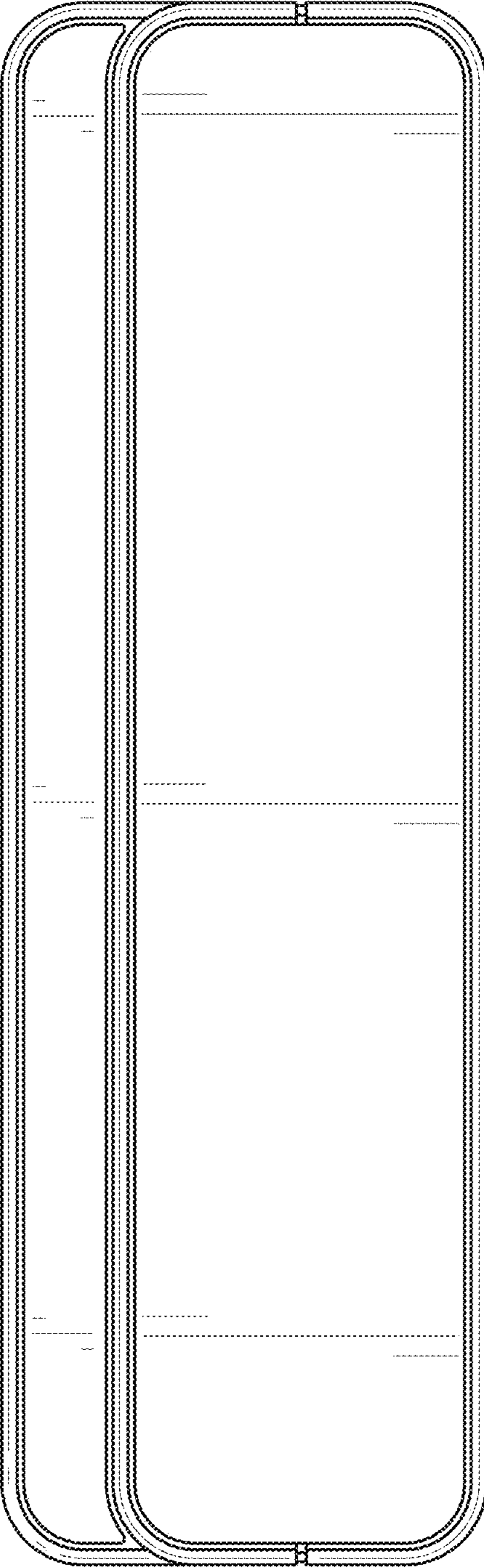


FIG. 3

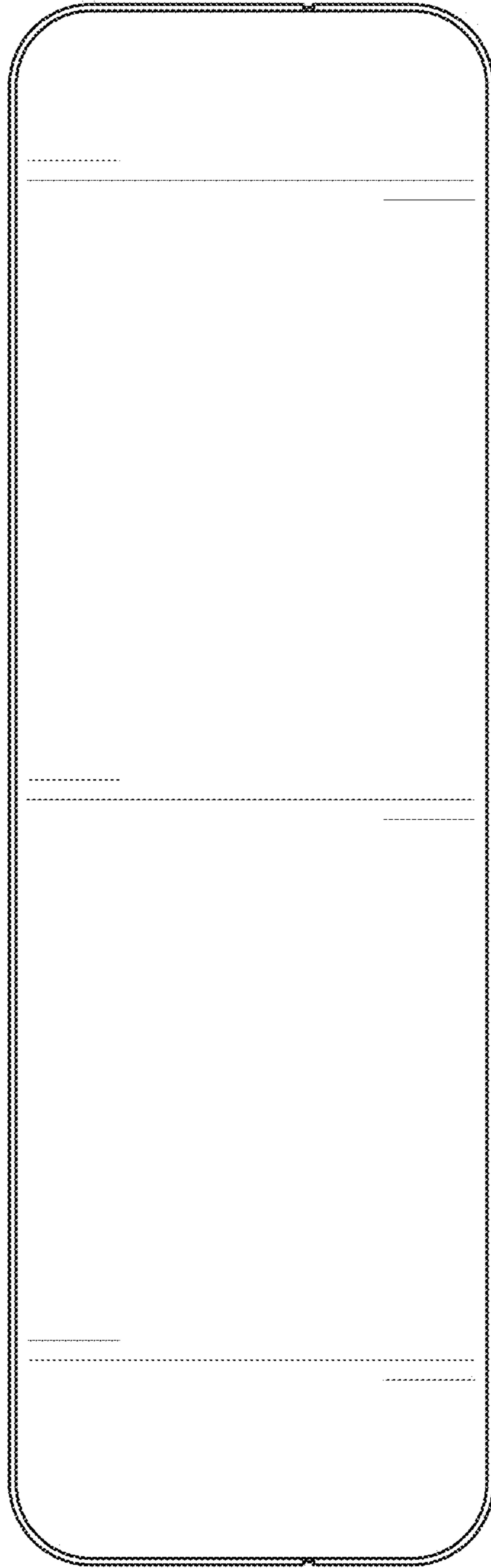


FIG. 4

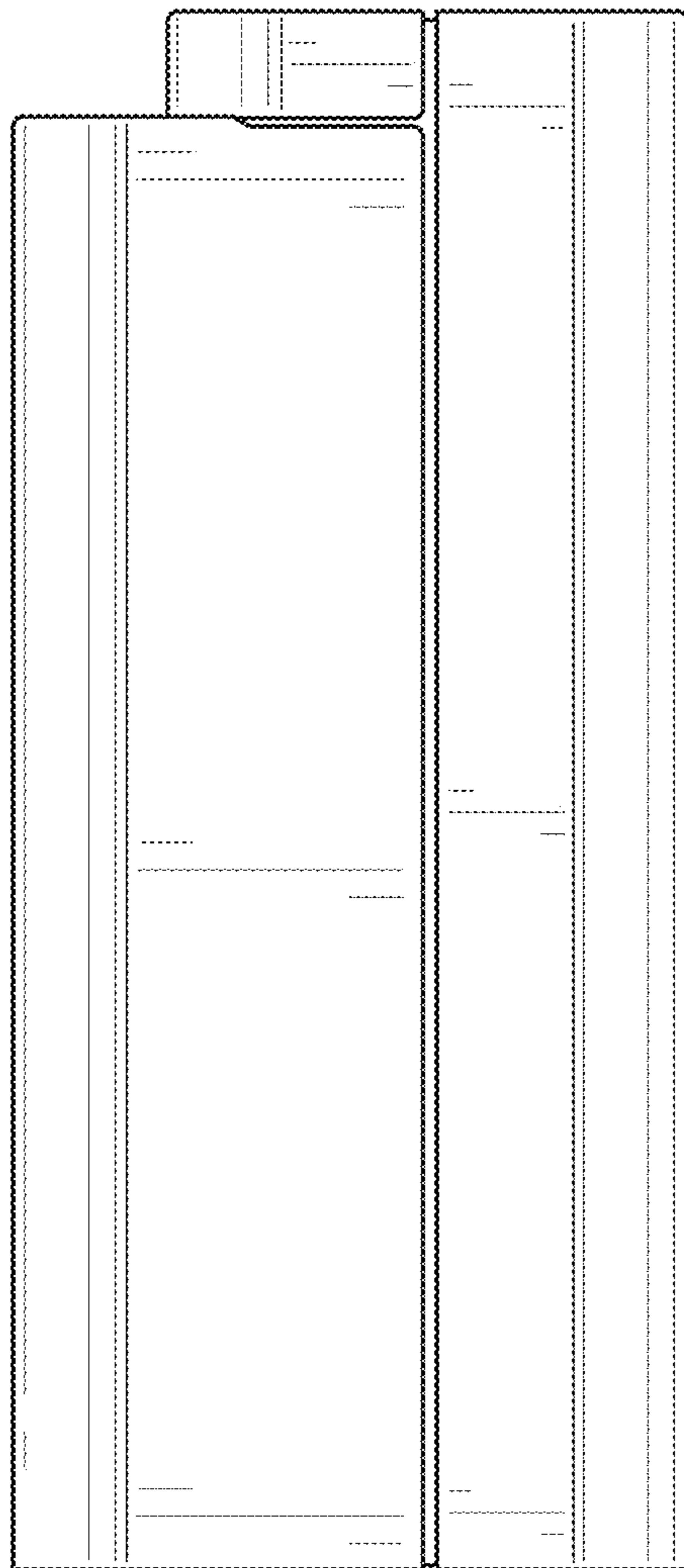


FIG. 5

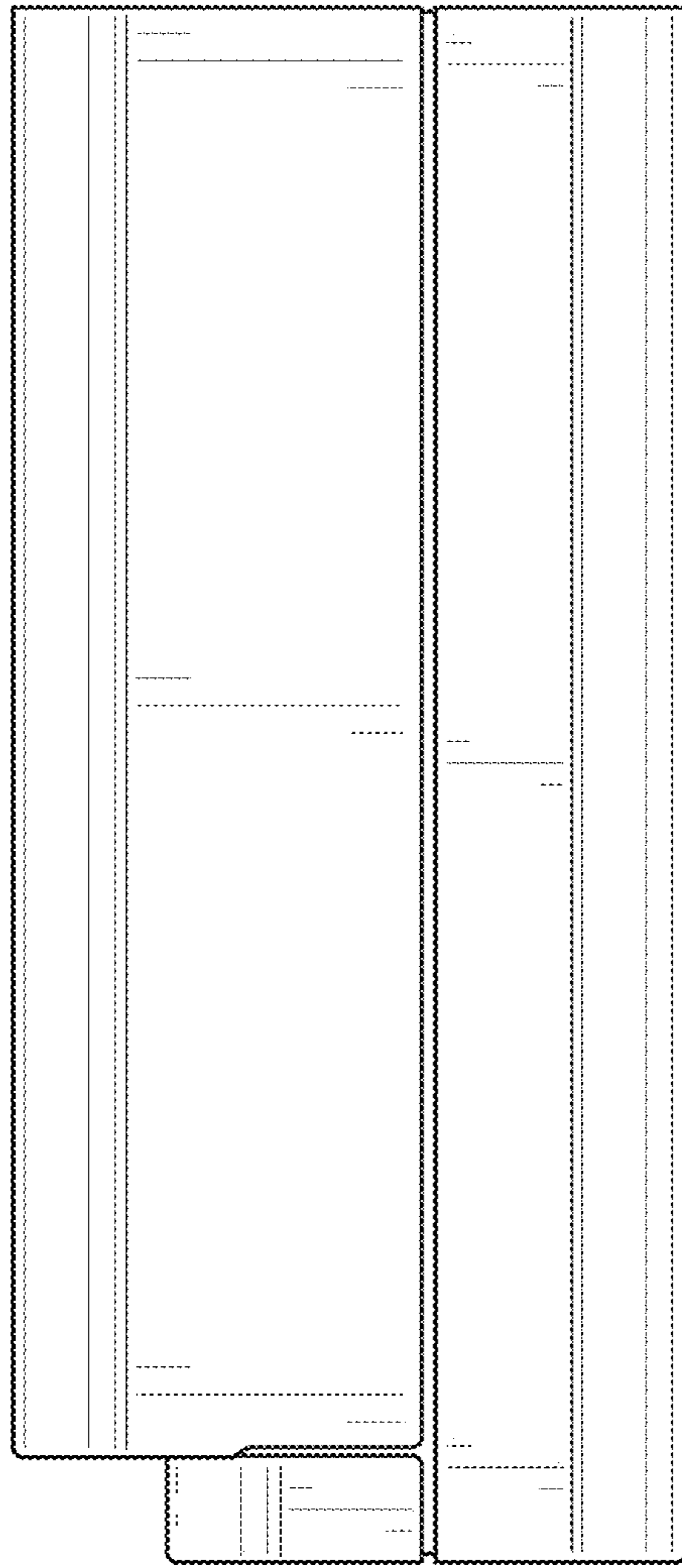


FIG. 6

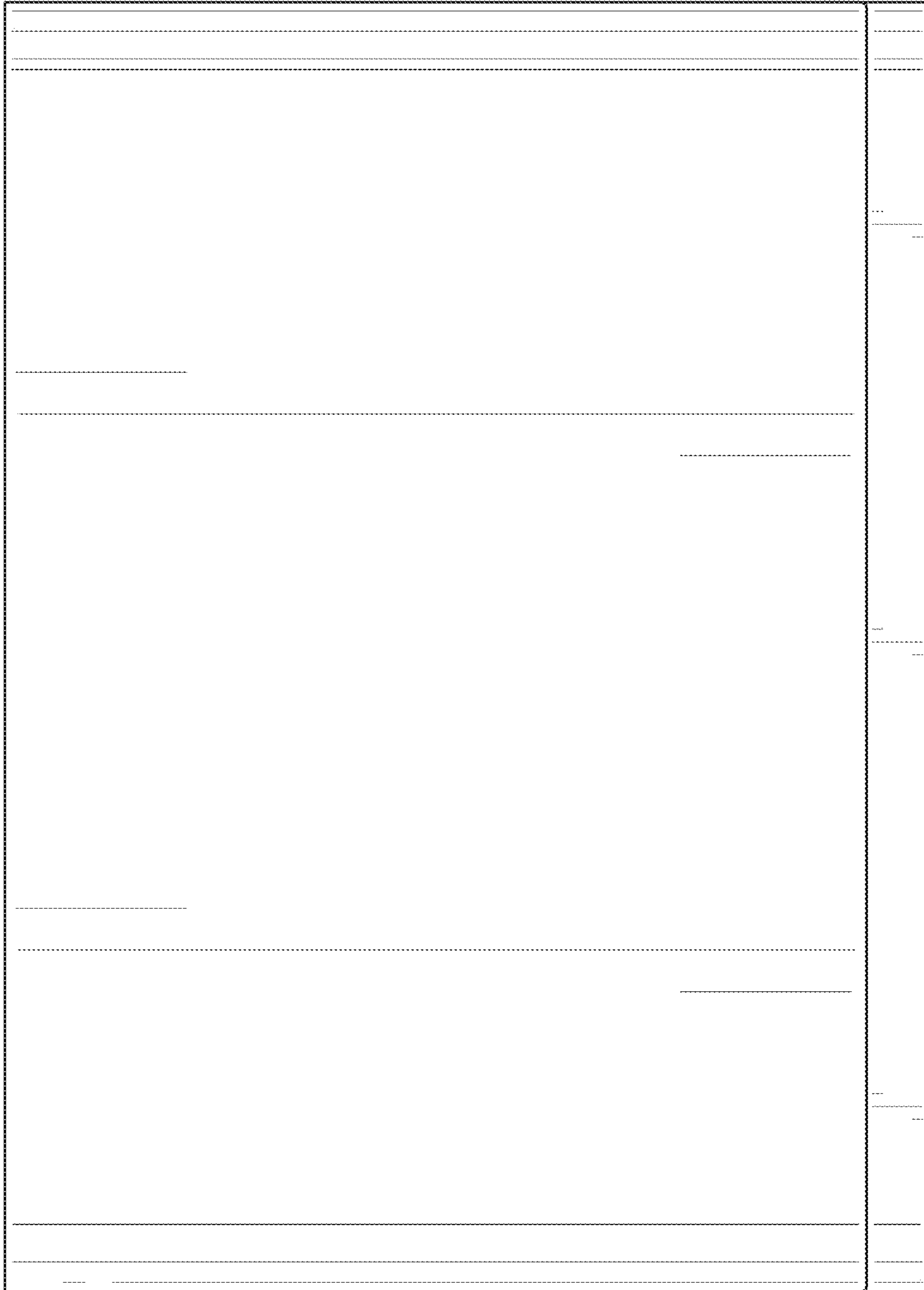


FIG. 7

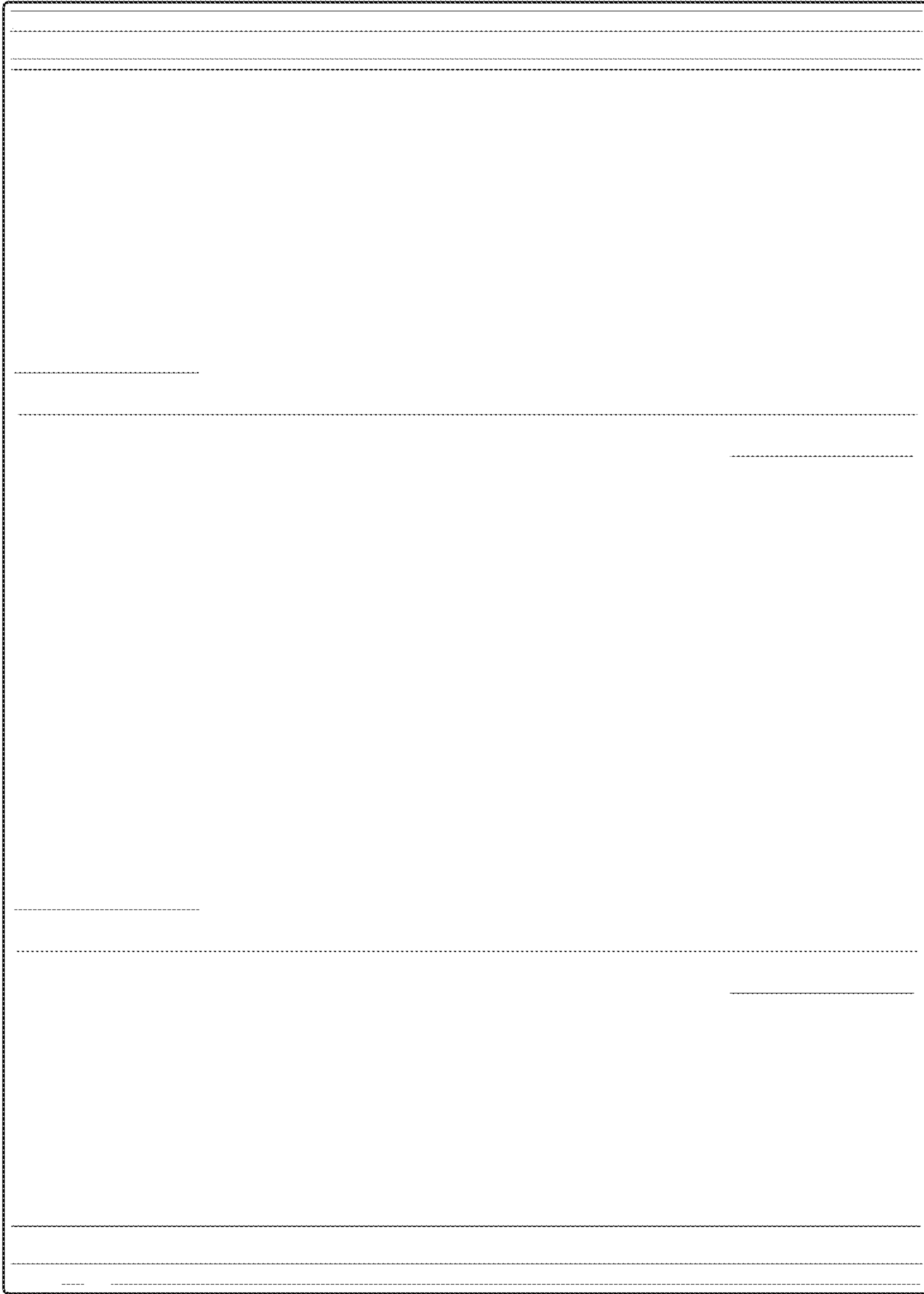


FIG. 8