



US00D910198S

(12) **United States Design Patent**  
**Porter**

(10) **Patent No.:** **US D910,198 S**

(45) **Date of Patent:** **\*\* Feb. 9, 2021**

(54) **ANALYSIS DEVICE FOR BIOLOGICAL SAMPLES**

(71) Applicant: **Oxford Nanopore Technologies Ltd.,**  
Oxford (GB)

(72) Inventor: **Benjamin Porter,** Oxford (GB)

(73) Assignee: **Oxford Nanopore Technologies Ltd.,**  
Oxford (GB)

(\*\*) Term: **15 Years**

(21) Appl. No.: **29/690,693**

(22) Filed: **May 9, 2019**

(30) **Foreign Application Priority Data**

Nov. 21, 2018 (GB) ..... 6048646

(51) **LOC (13) Cl.** ..... **24-01**

(52) **U.S. Cl.**  
USPC ..... **D24/216**

(58) **Field of Classification Search**  
USPC ..... D24/107, 169, 186, 216, 219, 231, 232;  
D10/81  
CPC ..... G01N 2035/00306; G01N 2035/00326;  
G01N 2035/00336; G01N 2030/027;  
G01N 21/76; G01N 33/50; G01N 35/025  
See application file for complete search history.

(56) **References Cited**

**U.S. PATENT DOCUMENTS**

D323,893 S \* 2/1992 Arioka ..... D24/169  
5,397,537 A \* 3/1995 Kanda ..... G01N 33/525  
422/403

D675,335 S \* 1/2013 Feuerabend ..... D24/216  
D686,335 S \* 7/2013 Feuerabend ..... D24/216  
10,215,768 B2 \* 2/2019 Sanghera ..... G01N 33/92  
D876,662 S \* 2/2020 Huang ..... D24/216  
2012/0322679 A1 \* 12/2012 Brown ..... G01N 33/48721  
506/9

\* cited by examiner

*Primary Examiner* — Anhdao Doan

(74) *Attorney, Agent, or Firm* — Wolf, Greenfield &  
Sacks, P.C.

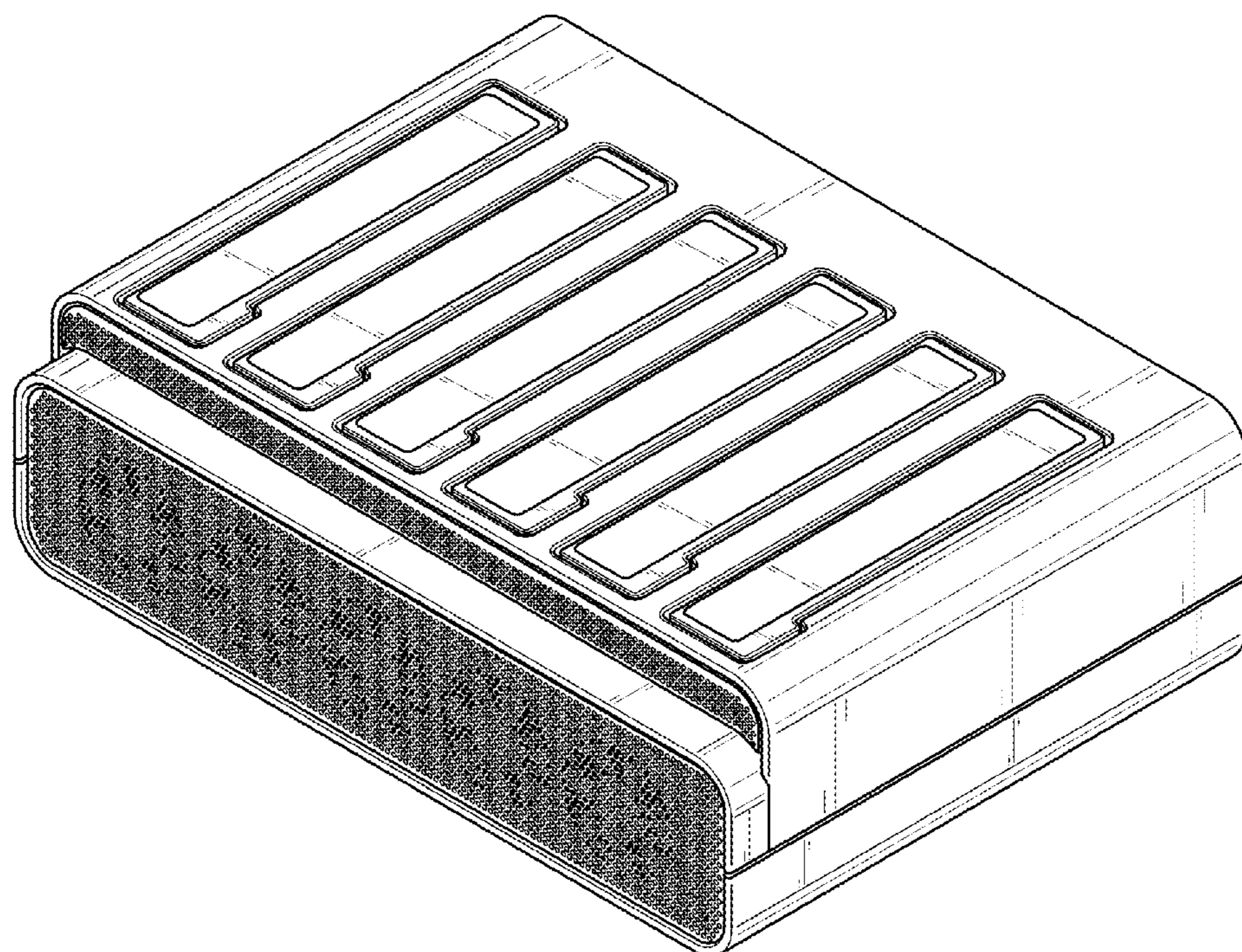
(57) **CLAIM**

The ornamental design for an analysis device for biological samples, as shown and described.

**DESCRIPTION**

FIG. 1 is a top, front, right side perspective view of an analysis device for biological samples according to our new design;  
FIG. 2 is a bottom, rear, left side perspective view thereof;  
FIG. 3 is a front elevation view thereof;  
FIG. 4 is a rear elevation view thereof;  
FIG. 5 is a left side elevation view thereof;  
FIG. 6 is a right side elevation view thereof;  
FIG. 7 is a top plan view thereof; and,  
FIG. 8 is a bottom plan view thereof.

**1 Claim, 8 Drawing Sheets**



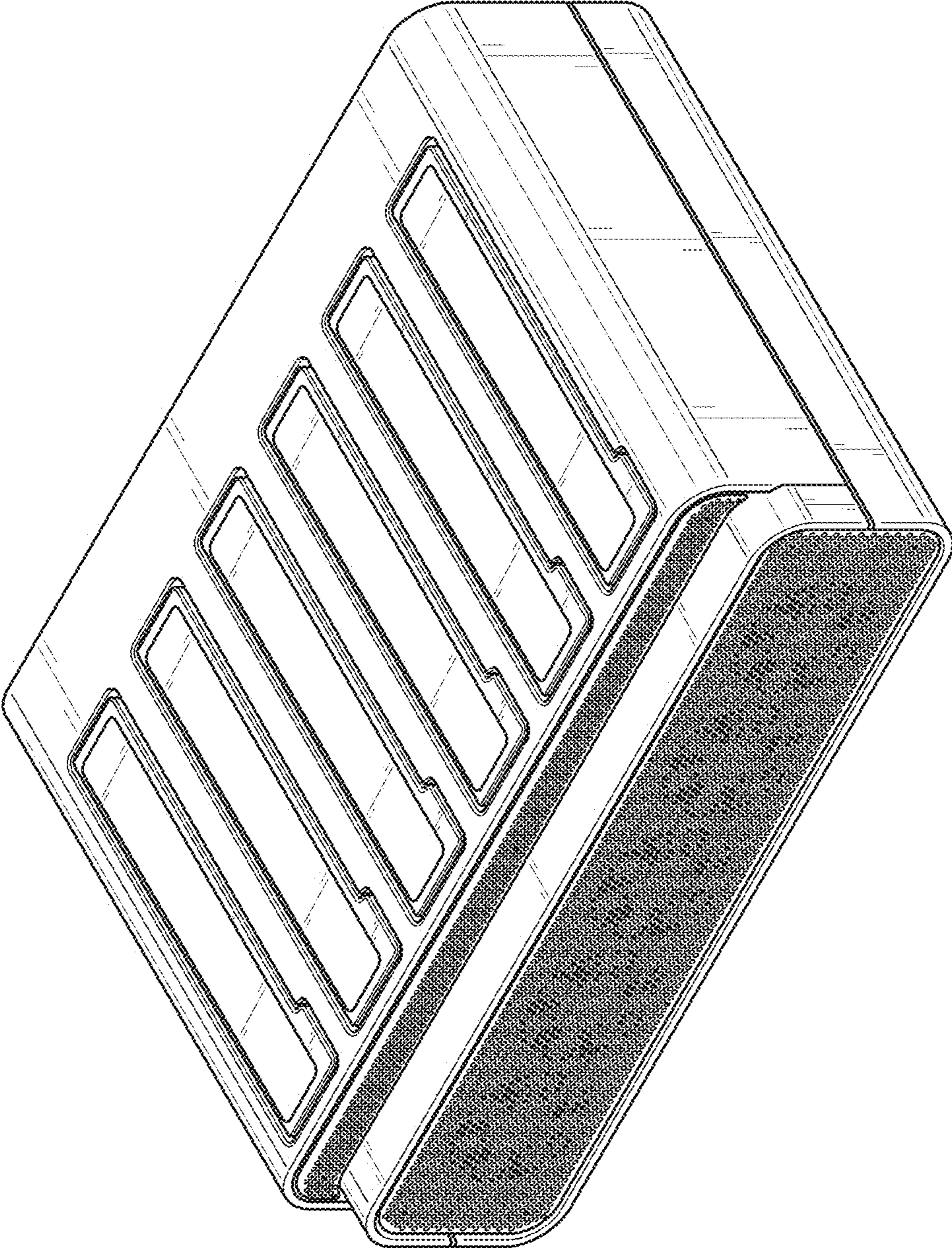


FIG. 1

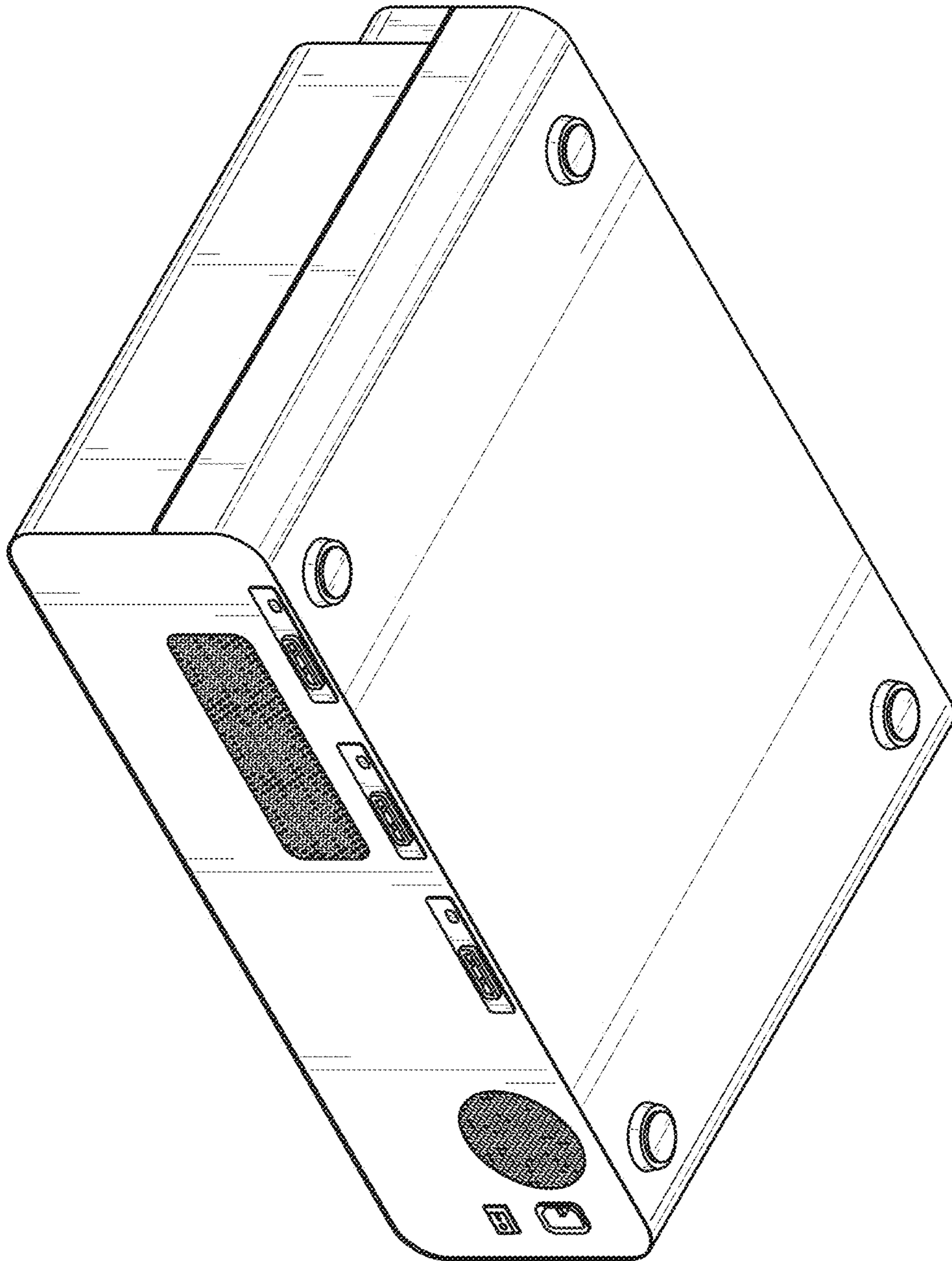


FIG. 2

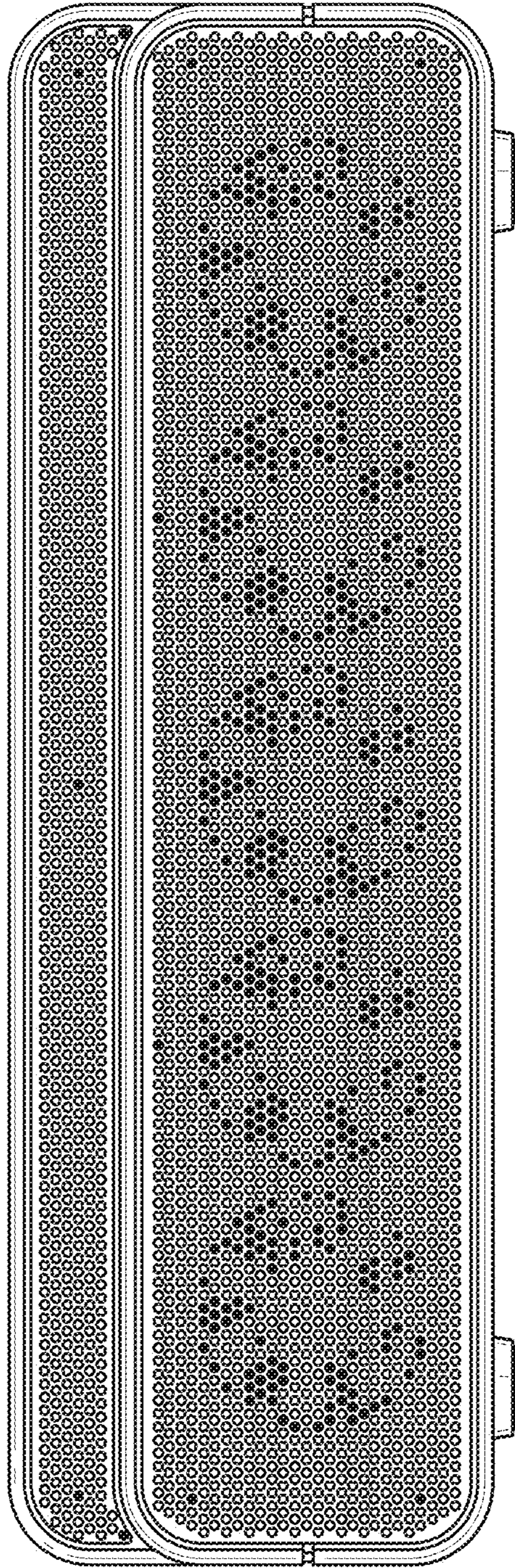


FIG. 3

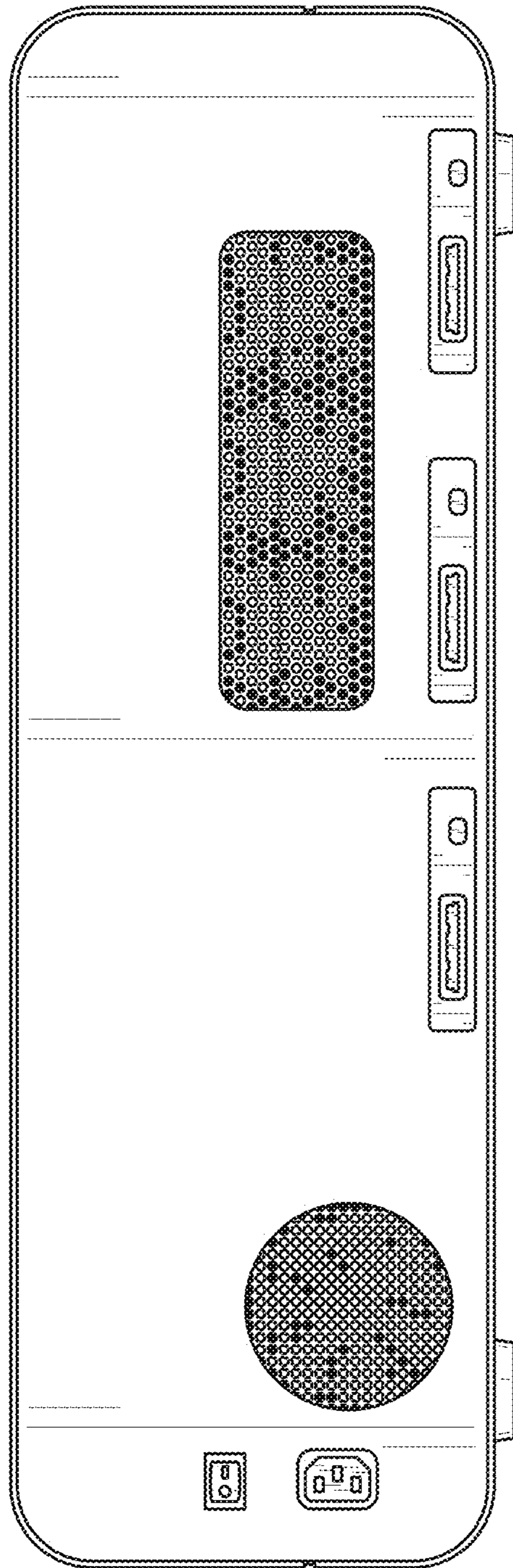


FIG. 4

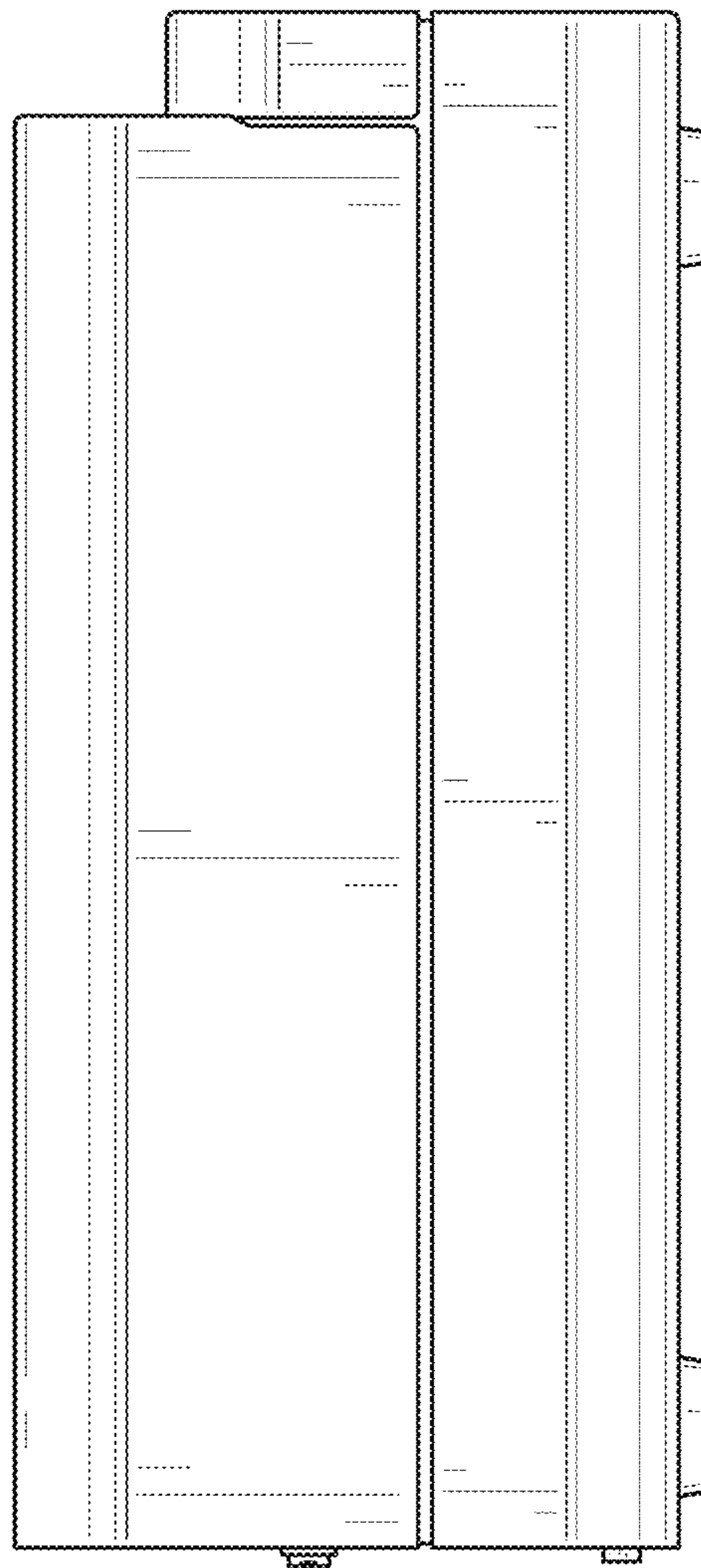


FIG. 5

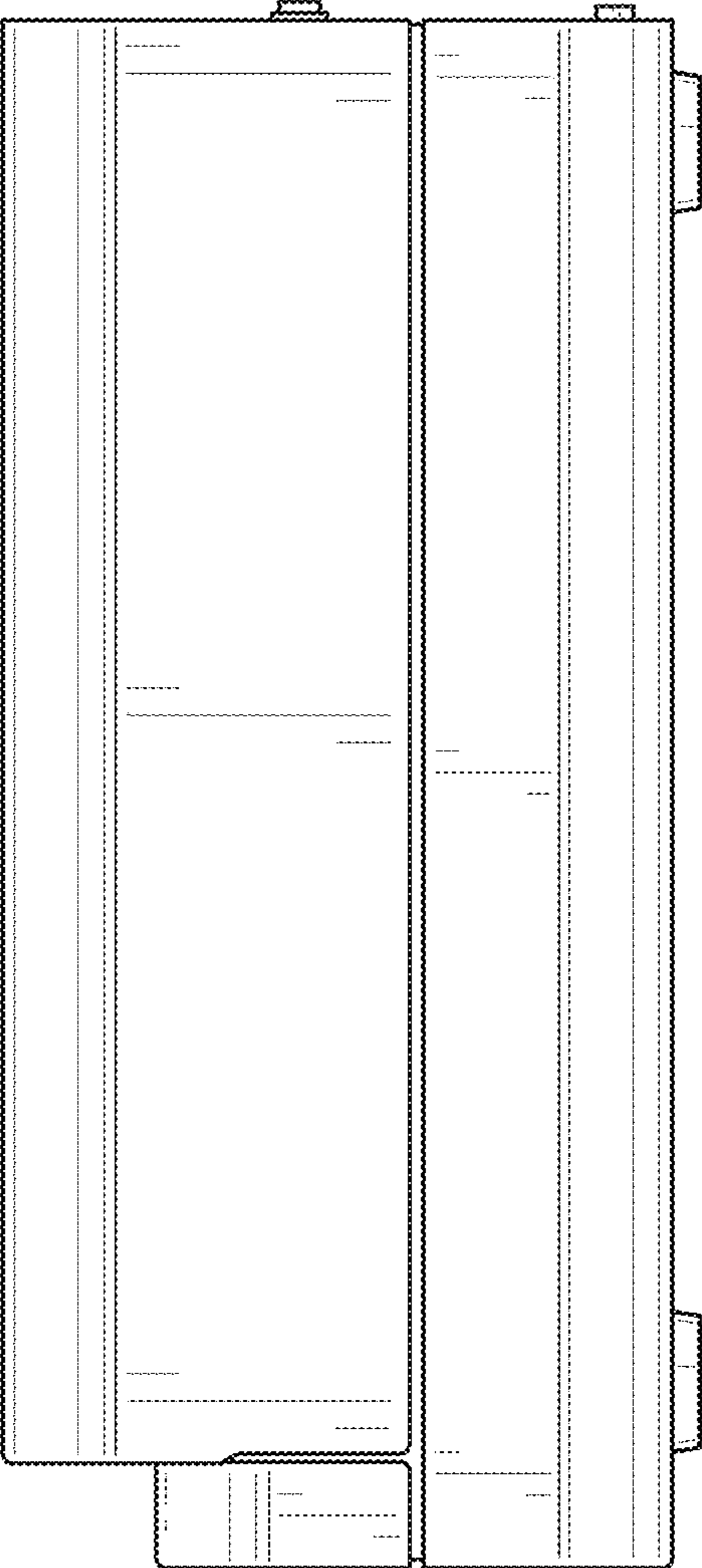


FIG. 6

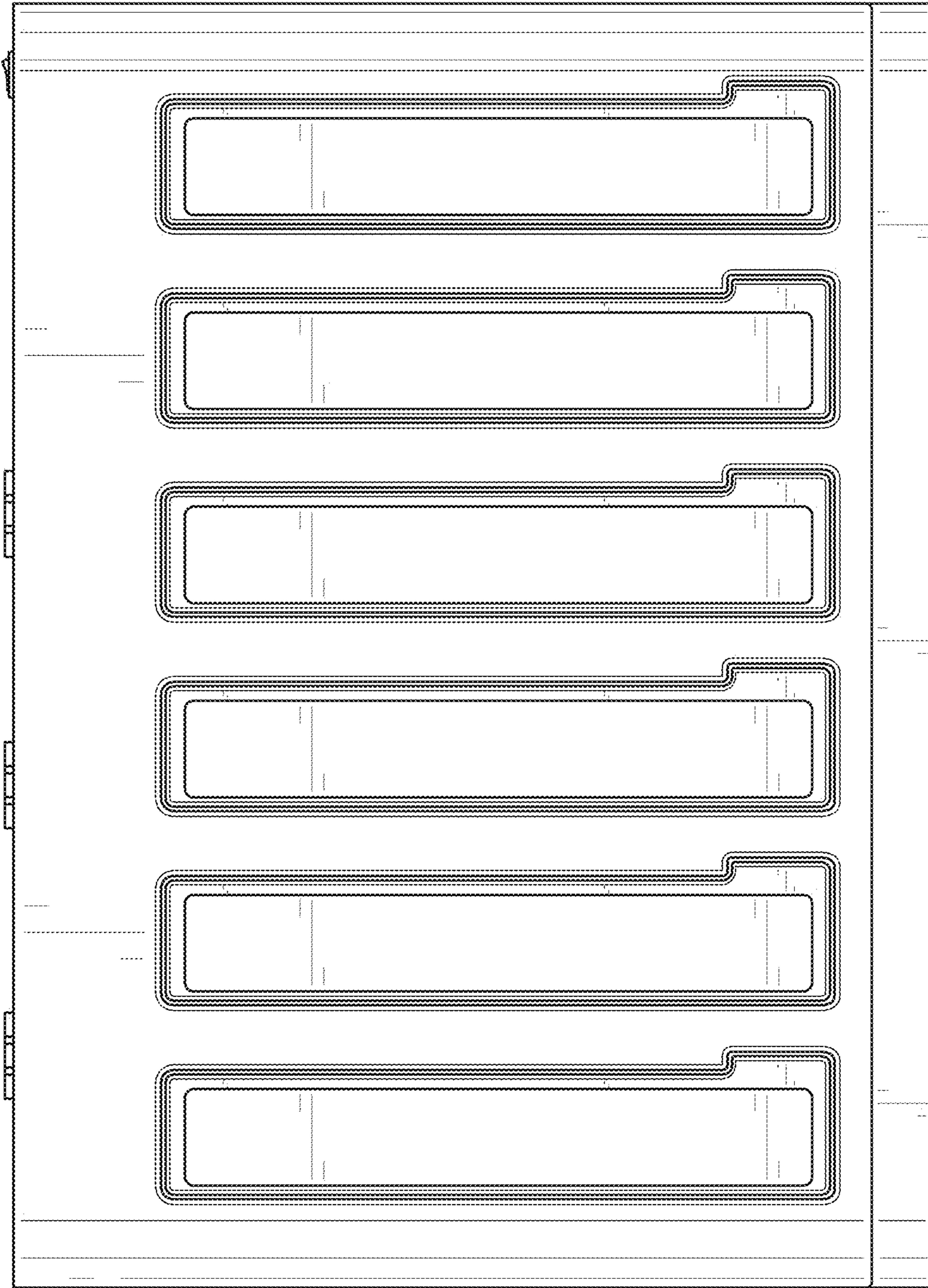


FIG. 7



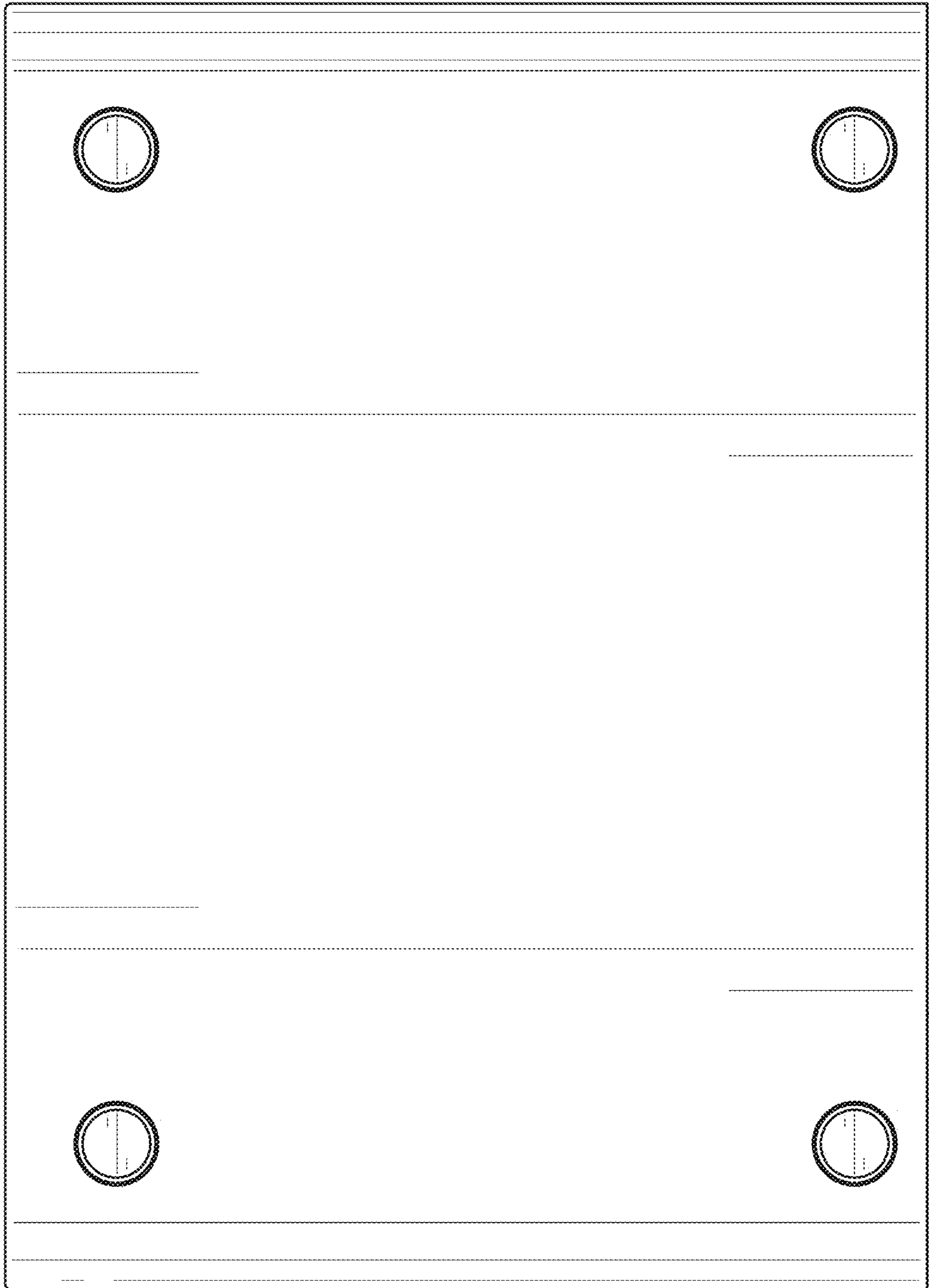


FIG. 8