



US00D910197S

(12) **United States Design Patent**  
**Waterman**

(10) **Patent No.:** **US D910,197 S**

(45) **Date of Patent:** **\*\* Feb. 9, 2021**

(54) **ANALYSIS DEVICE FOR BIOLOGICAL SAMPLES**

(71) Applicant: **Oxford Nanopore Technologies Ltd.,**  
Oxford (GB)

(72) Inventor: **David Waterman,** Oxford (GB)

(73) Assignee: **Oxford Nanopore Technologies Ltd.,**  
Oxford (GB)

(\*\*) Term: **15 Years**

(21) Appl. No.: **29/690,689**

(22) Filed: **May 9, 2019**

(30) **Foreign Application Priority Data**

Nov. 22, 2018 (GB) ..... 6048738

(51) **LOC (13) Cl.** ..... **24-01**

(52) **U.S. Cl.**  
USPC ..... **D24/216**

(58) **Field of Classification Search**  
USPC ..... D24/107, 169, 186, 216, 219, 231, 232;  
D10/81

CPC ..... G01N 2035/00306; G01N 2035/00326;  
G01N 2035/00336; G01N 2030/027;  
G01N 21/76; G01N 33/50; G01N 35/025  
See application file for complete search history.

(56) **References Cited**

**U.S. PATENT DOCUMENTS**

D318,331 S \* 7/1991 Phillips ..... D24/169  
D323,893 S \* 2/1992 Arioka ..... D24/169

D351,469 S \* 10/1994 Okamoto ..... D24/169  
5,397,537 A \* 3/1995 Kanda ..... G01N 33/525  
422/403  
D393,314 S \* 4/1998 Meisner ..... D24/169  
D808,833 S \* 1/2018 Abbott ..... D10/81  
D855,212 S \* 7/2019 Komuro ..... D24/233  
D876,662 S \* 2/2020 Huang ..... D24/216  
D882,424 S \* 4/2020 Simpson ..... D10/78

\* cited by examiner

*Primary Examiner* — Anhdao Doan

(74) *Attorney, Agent, or Firm* — Wolf, Greenfield &  
Sacks, P.C.

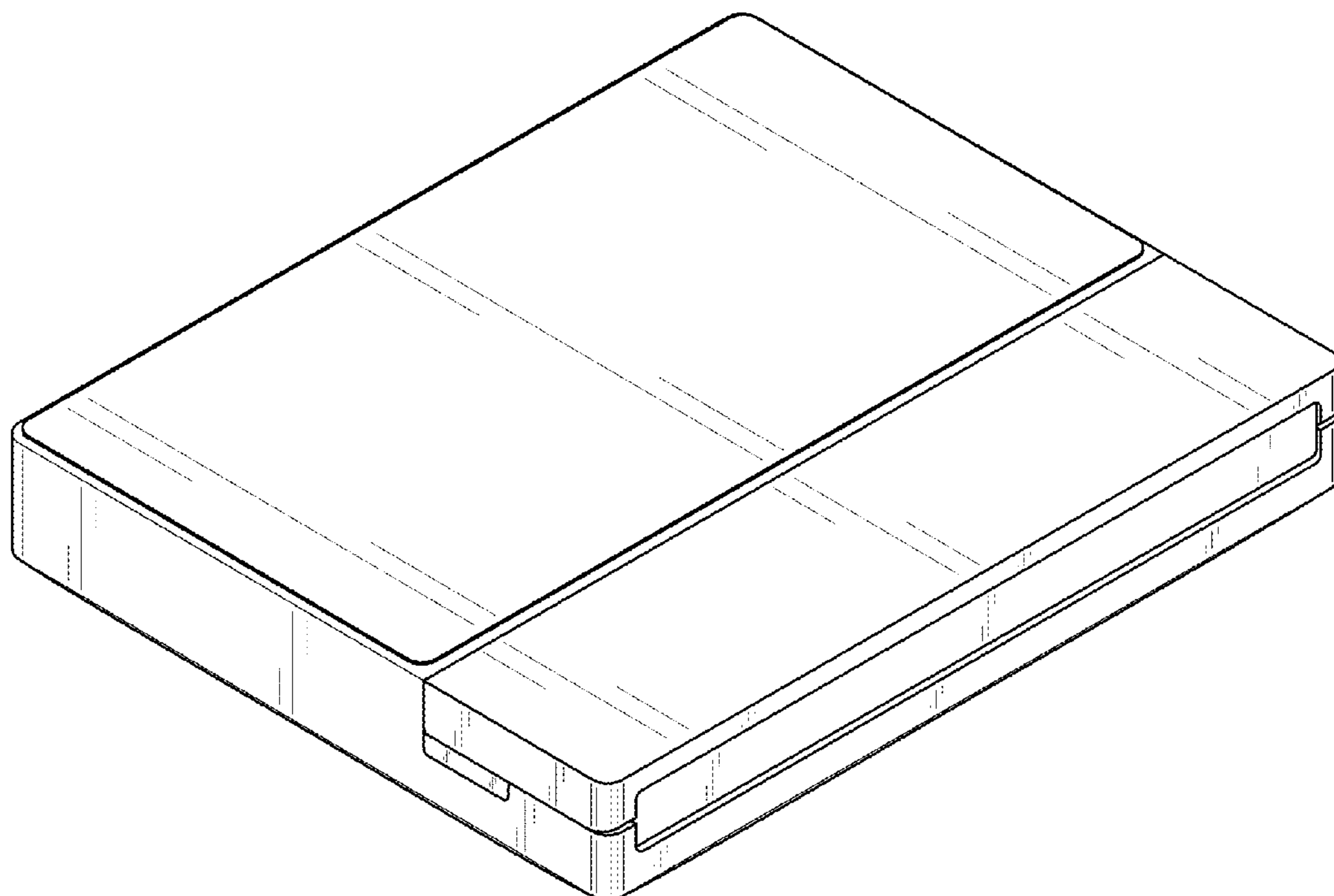
(57) **CLAIM**

The ornamental design for an analysis device for biological samples, as shown and described.

**DESCRIPTION**

FIG. 1 is a top, front, left side perspective view of an analysis device for biological samples according to our new design;  
FIG. 2 is a front elevation view thereof;  
FIG. 3 is a rear elevation view thereof;  
FIG. 4 is a left side elevation view thereof;  
FIG. 5 is a right side elevation view thereof;  
FIG. 6 is a top plan view thereof; and,  
FIG. 7 is a bottom plan view thereof.

**1 Claim, 7 Drawing Sheets**



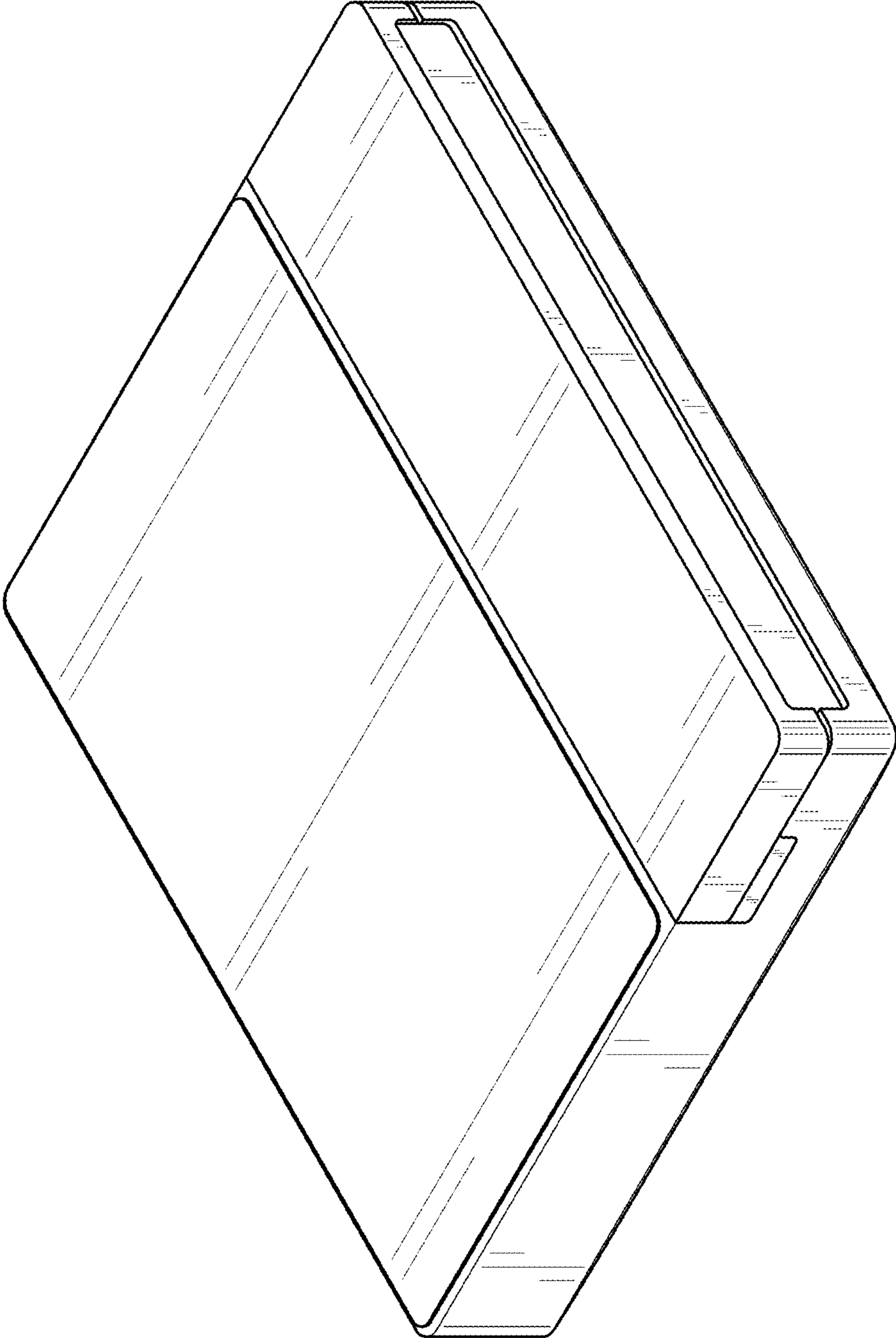


FIG. 1

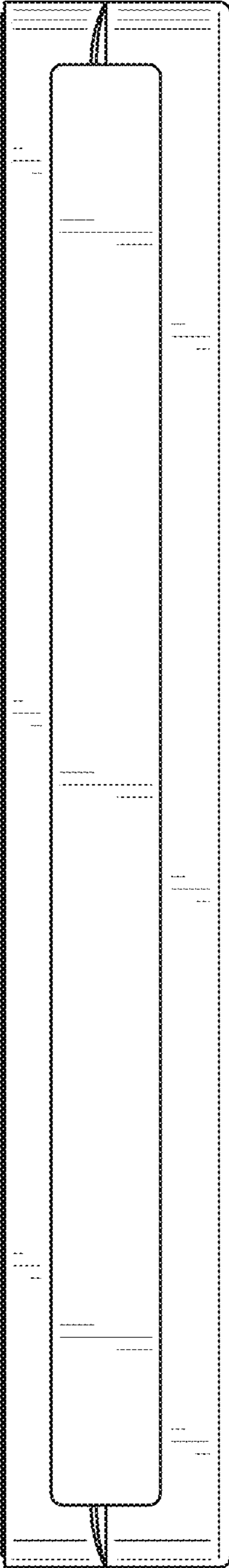


FIG. 2

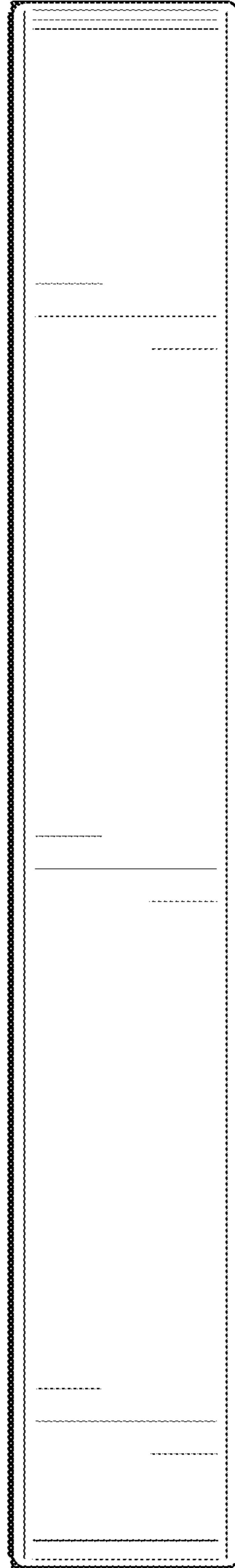


FIG. 3

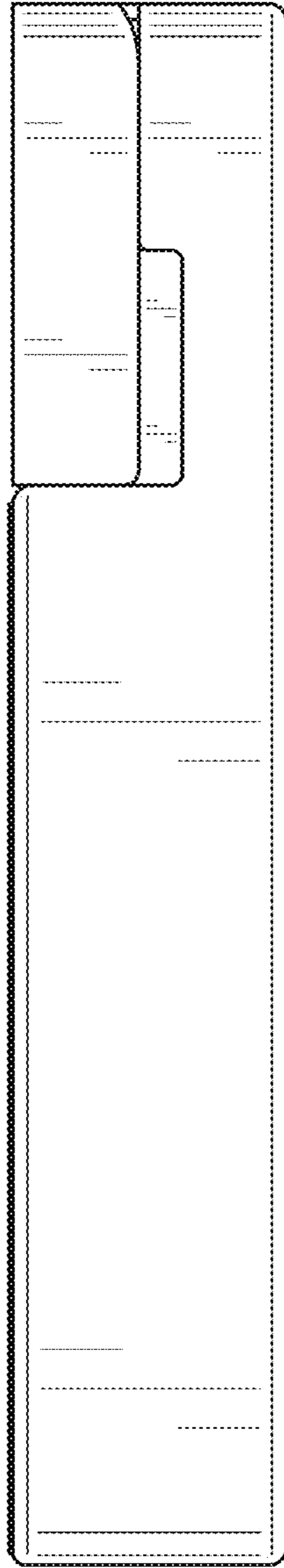


FIG. 4

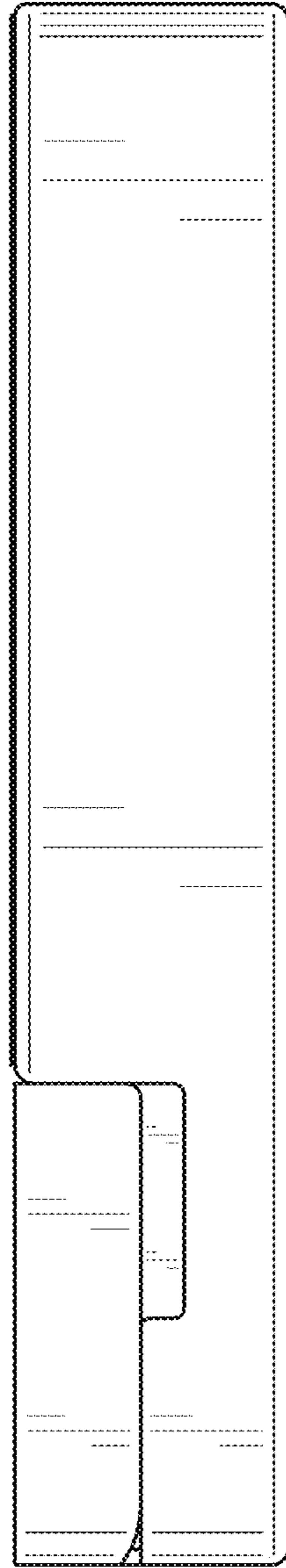


FIG. 5

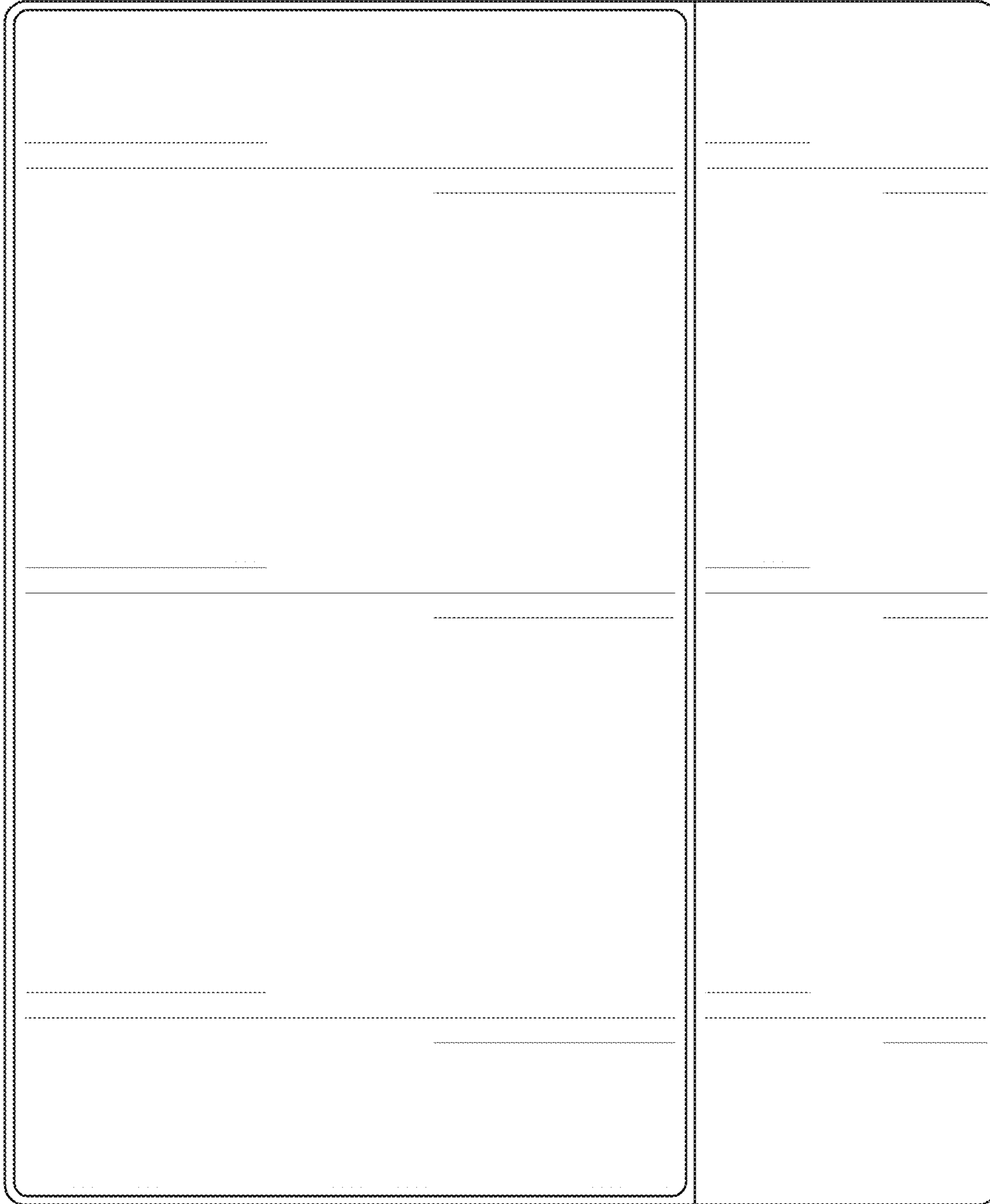


FIG. 6

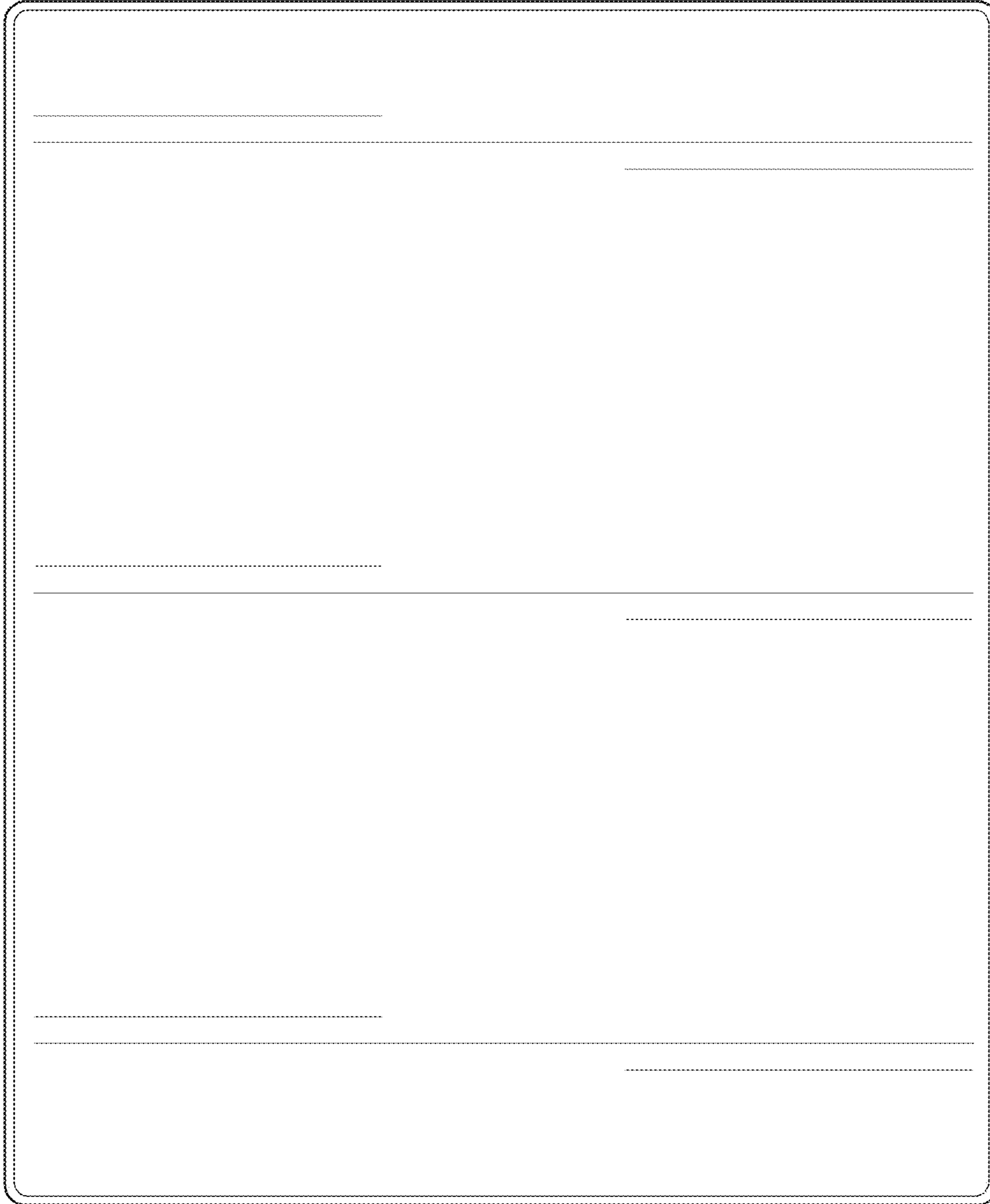


FIG. 7