



US00D910196S

(12) **United States Design Patent** (10) **Patent No.:** **US D910,196 S**
Waterman (45) **Date of Patent:** **** Feb. 9, 2021**

(54) **ANALYSIS DEVICE FOR BIOLOGICAL SAMPLES**

D351,469 S * 10/1994 Okamoto D24/169
5,397,537 A * 3/1995 Kanda G01N 33/525
422/403
D393,314 S * 4/1998 Meisner D24/169
D808,833 S * 1/2018 Abbott D10/81
D855,212 S * 7/2019 Komuro D24/233
D876,662 S * 2/2020 Huang D24/216
D882,424 S * 4/2020 Simpson D10/78

(71) Applicant: **Oxford Nanopore Technologies Ltd.,**
Oxford (GB)

(72) Inventor: **David Waterman,** Oxford (GB)

(73) Assignee: **Oxford Nanopore Technologies Ltd.,**
Oxford (GB)

(**) Term: **15 Years**

(21) Appl. No.: **29/690,683**

(22) Filed: **May 9, 2019**

(30) **Foreign Application Priority Data**

Nov. 22, 2018 (GB) 6048737

(51) **LOC (13) Cl.** **24-01**

(52) **U.S. Cl.**
USPC **D24/216**

(58) **Field of Classification Search**

USPC D24/107, 169, 186, 216, 219, 231, 232;
D10/81

CPC G01N 2035/00306; G01N 2035/00326;
G01N 2035/00336; G01N 2030/027;
G01N 21/76; G01N 33/50; G01N 35/025

See application file for complete search history.

(56) **References Cited**

U.S. PATENT DOCUMENTS

D318,331 S * 7/1991 Phillips D24/169
D323,893 S * 2/1992 Arioka D24/169

* cited by examiner

Primary Examiner — Anhdao Doan

(74) *Attorney, Agent, or Firm* — Wolf, Greenfield & Sacks, P.C.

(57) **CLAIM**

The ornamental design for an analysis device for biological samples, as shown and described.

DESCRIPTION

FIG. 1 is a top, front, left side perspective view of an analysis device for biological samples according to our new design;

FIG. 2 is a front elevation view thereof;

FIG. 3 is a rear elevation view thereof;

FIG. 4 is a left side elevation view thereof;

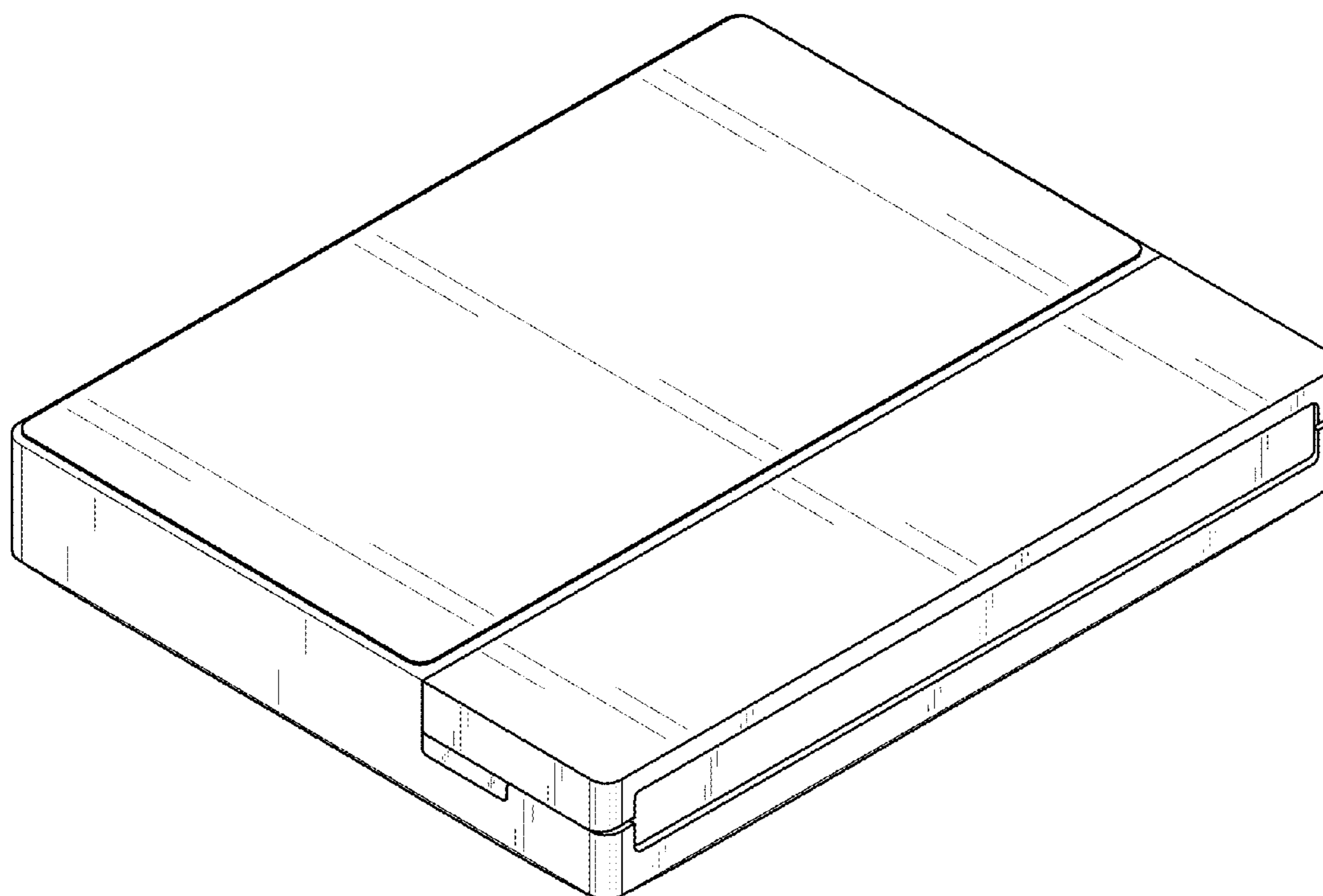
FIG. 5 is a right side elevation view thereof;

FIG. 6 is a top plan view thereof;

FIG. 7 is a bottom plan view thereof; and,

FIG. 8 is a bottom, rear, right side perspective view thereof.

1 Claim, 8 Drawing Sheets



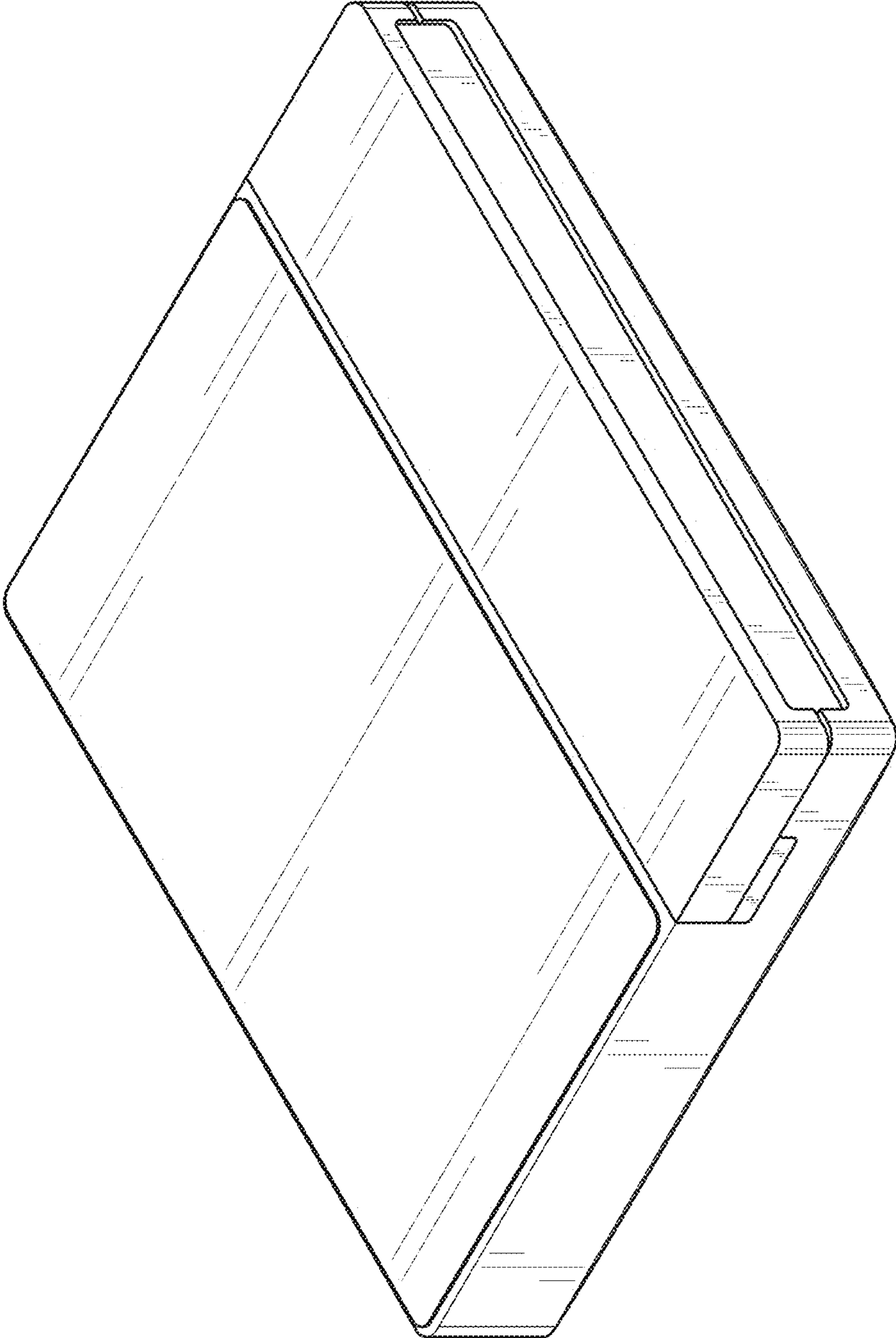


FIG. 1

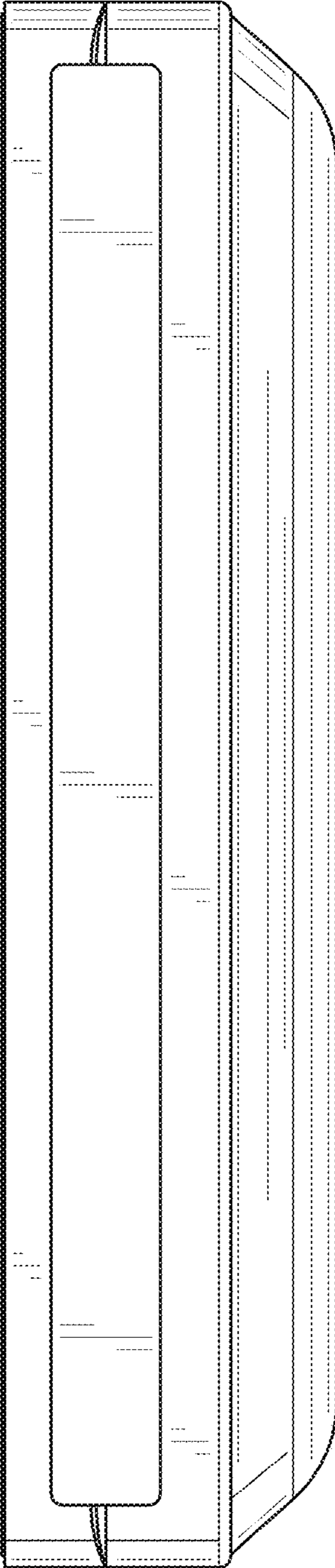


FIG. 2

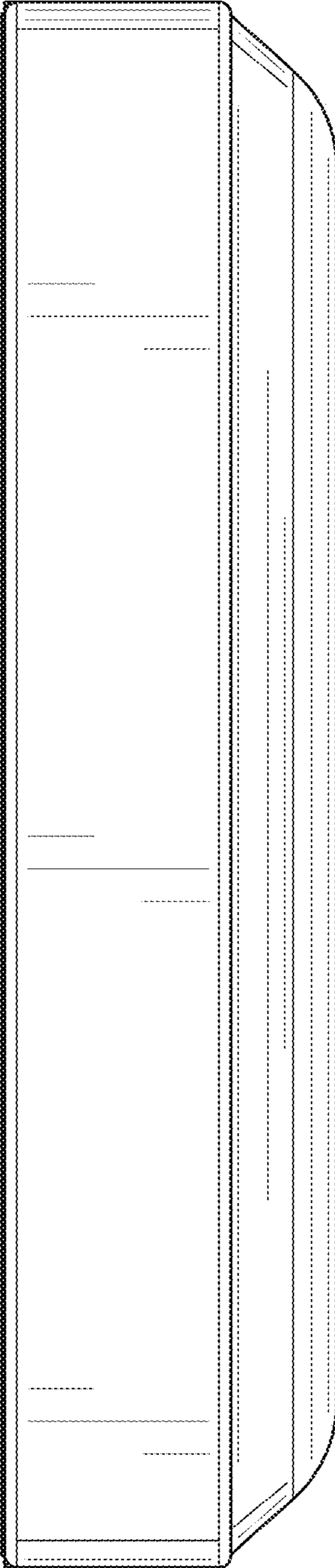


FIG. 3

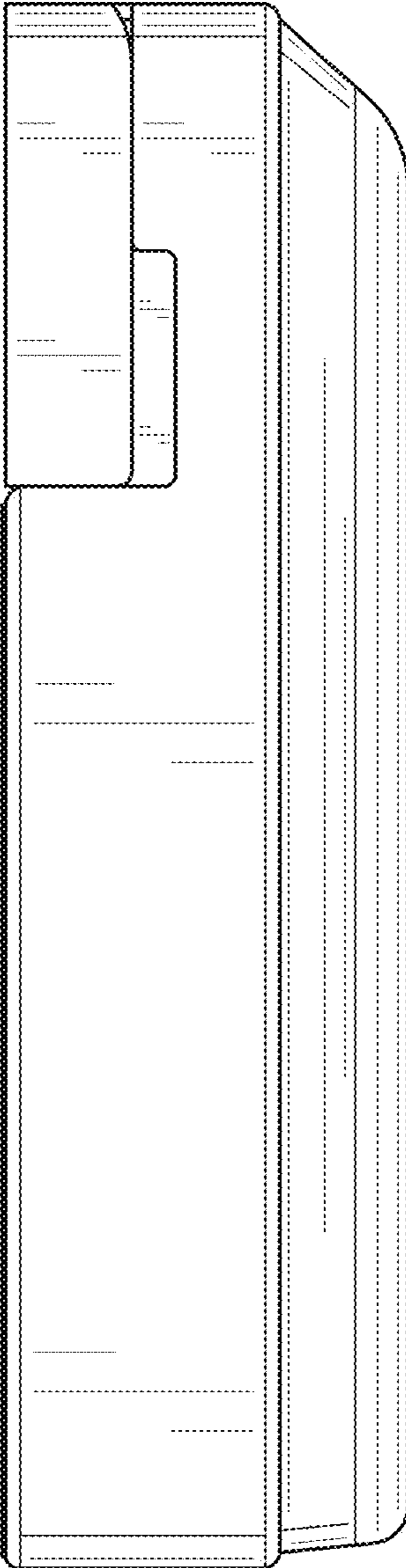


FIG. 4

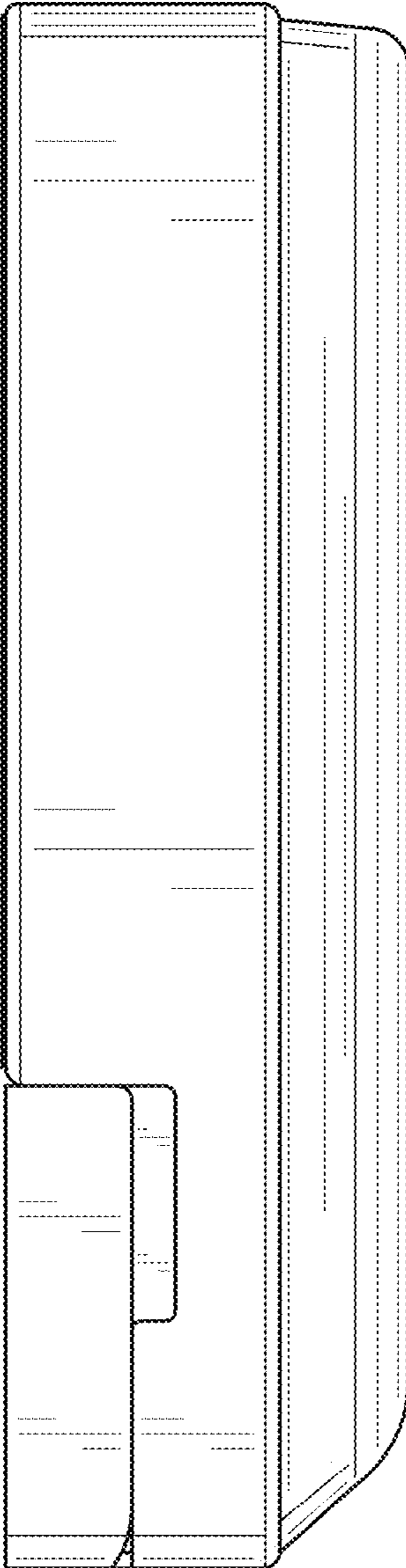


FIG. 5

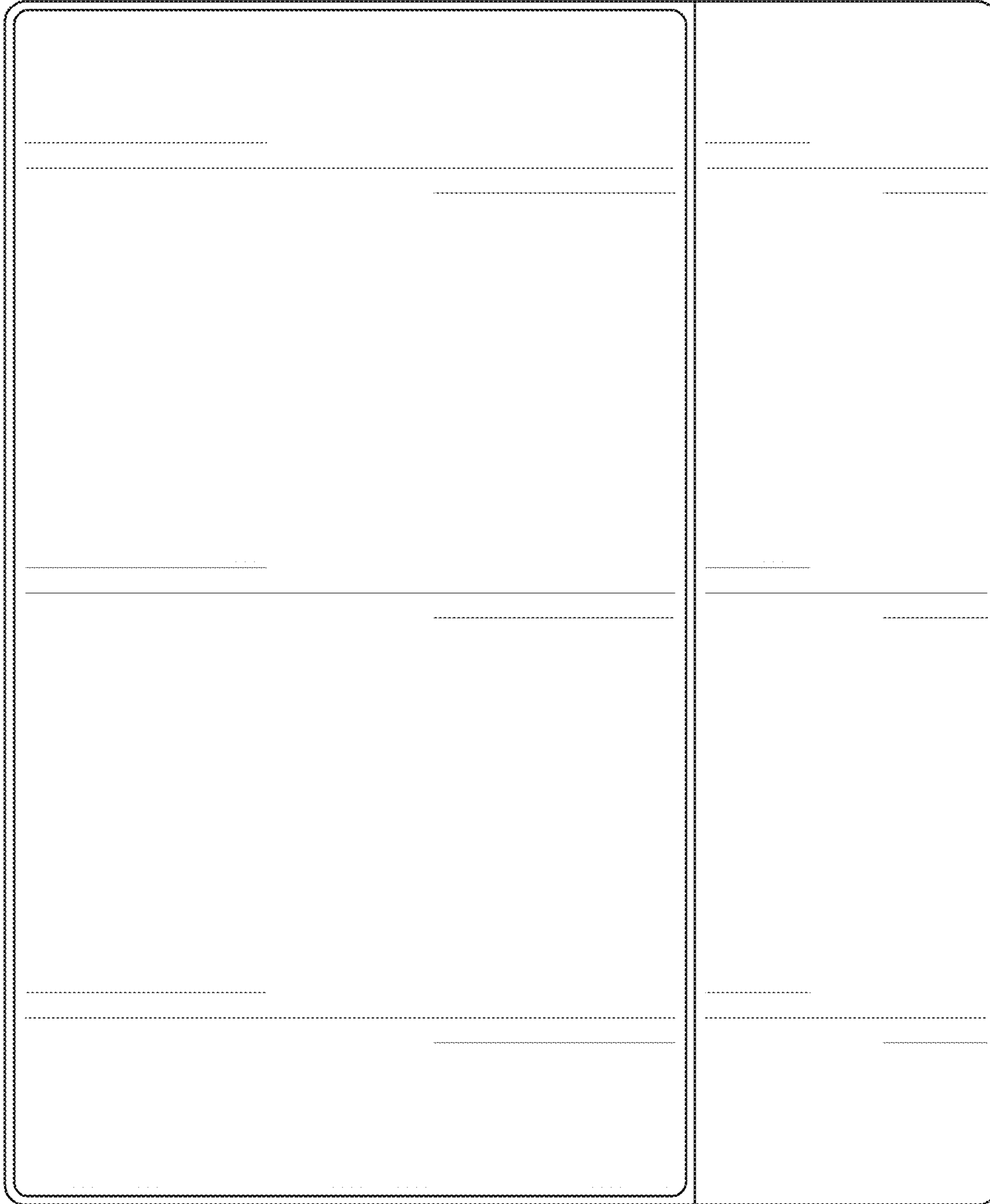


FIG. 6

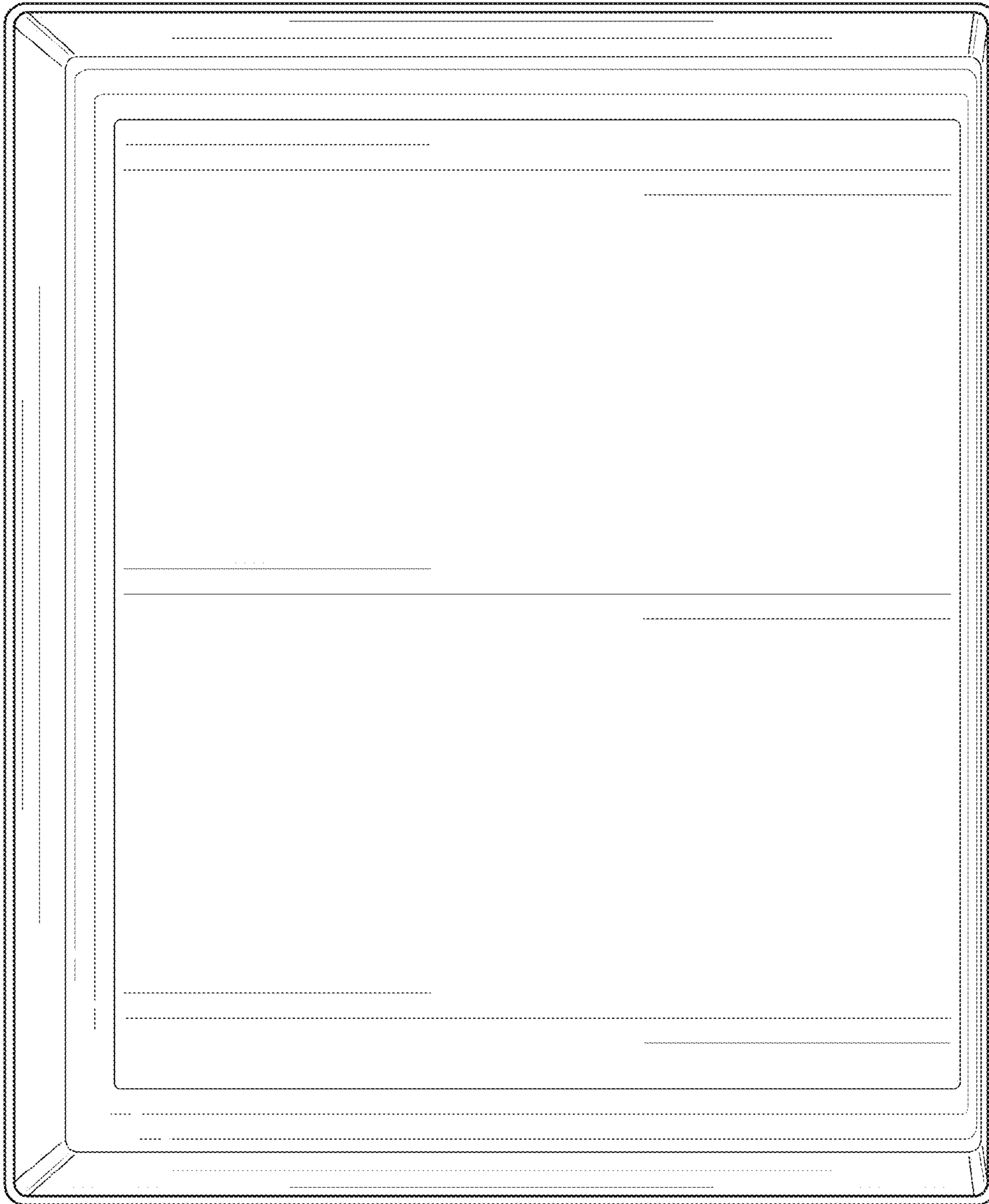


FIG. 7

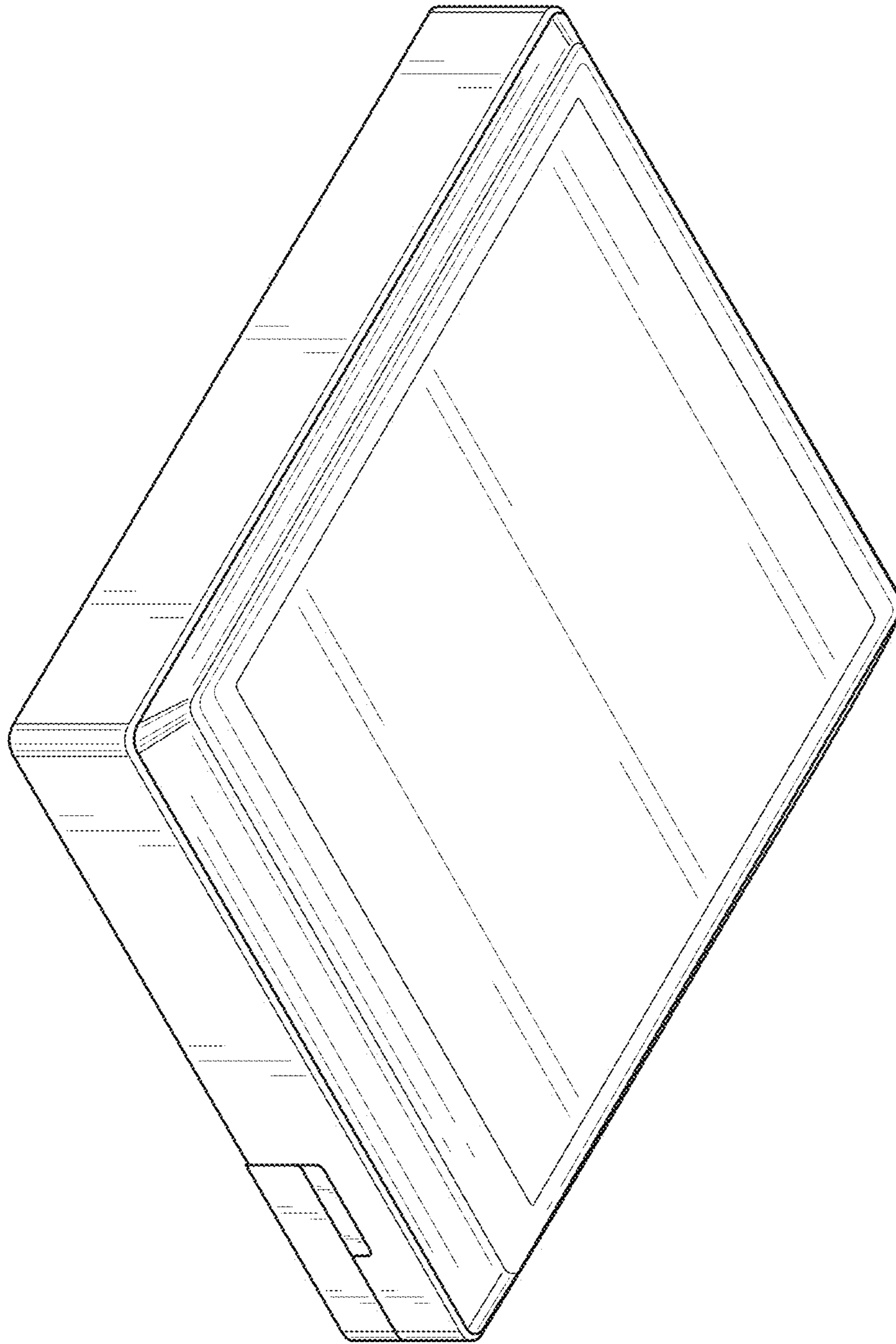


FIG. 8