



US00D910195S

(12) **United States Design Patent** (10) **Patent No.:** **US D910,195 S**
Upsdell (45) **Date of Patent:** **** Feb. 9, 2021**

(54) **ANALYSIS DEVICE**
(71) Applicant: **Oxford Nanopore Technologies Ltd.,**
Oxford (GB)
(72) Inventor: **Jonathan Upsdell,** Oxford (GB)
(73) Assignee: **Oxford Nanopore Technologies Ltd.,**
Oxford (GB)
(**) Term: **15 Years**
(21) Appl. No.: **29/670,977**
(22) Filed: **Nov. 21, 2018**
(30) **Foreign Application Priority Data**
May 22, 2018 (GB) 6035713
(51) **LOC (13) Cl.** **24-01**
(52) **U.S. Cl.**
USPC **D24/216**
(58) **Field of Classification Search**
USPC D24/107, 169, 185, 186, 216–219,
D24/224–227, 231–234; D10/81
CPC G01N 2035/00306; G01N 2035/00326;
G01N 2035/00336; G01N 2030/027;
G01N 35/1085; G01N 2021/6432; C12Q
1/6869; C12Q 1/6806
See application file for complete search history.

(56) **References Cited**
U.S. PATENT DOCUMENTS
D467,348 S * 12/2002 McMichael D24/216
D608,010 S * 1/2010 Moscovita D24/216
D640,389 S * 6/2011 Francis D24/225
D668,350 S * 10/2012 Rowley D24/225
D669,191 S * 10/2012 Handique D24/225
D734,482 S * 7/2015 Peterman D24/216
D814,651 S * 4/2018 Oshima D24/216

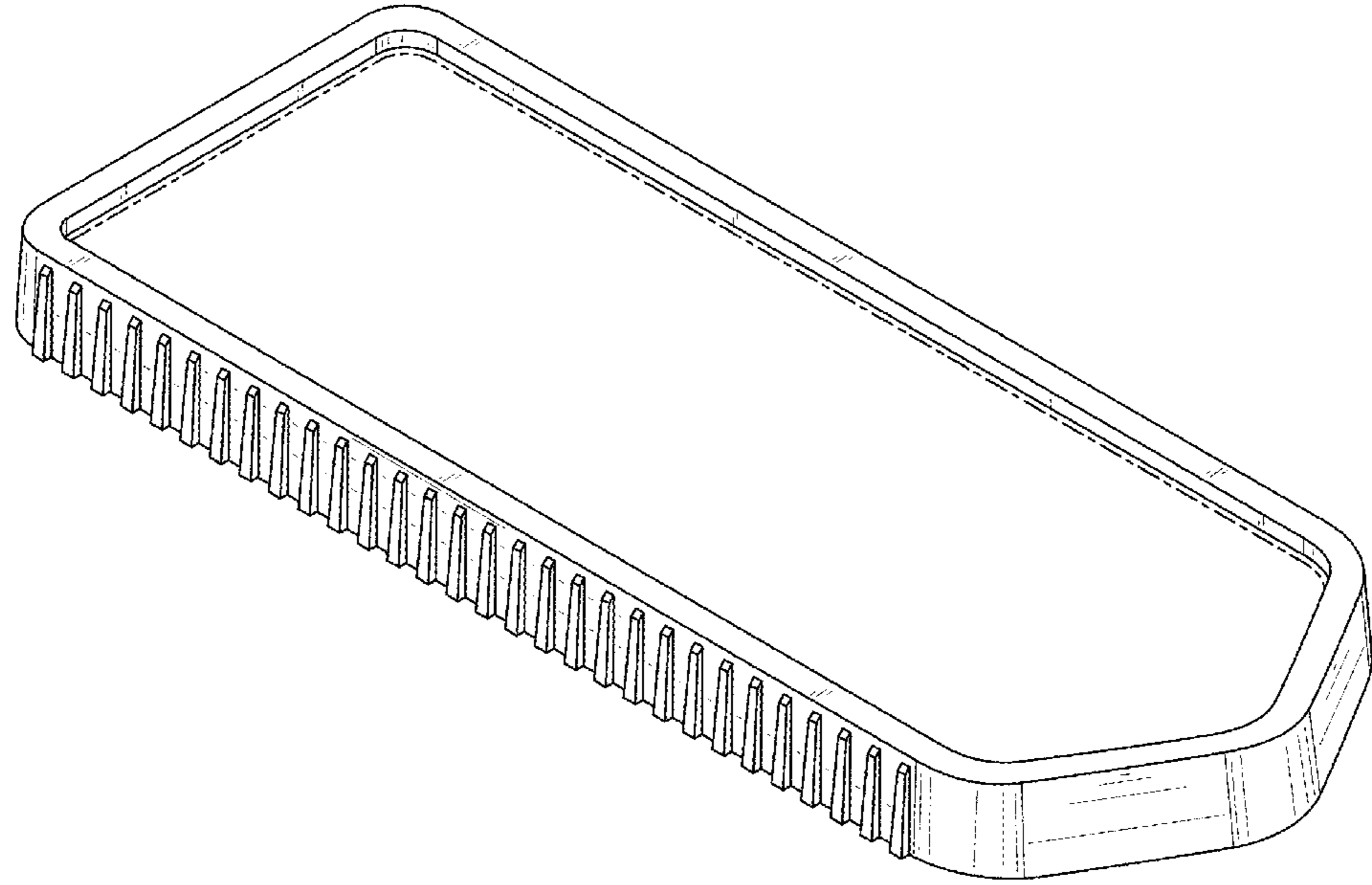
D857,229 S * 8/2019 Kaplan D24/225
2009/0170189 A1 * 7/2009 Park C12M 23/16
435/288.7
2009/0171311 A1 * 7/2009 Genosar A61J 1/1406
604/411
2016/0281150 A1 * 9/2016 Rawlings C12Q 1/6837

OTHER PUBLICATIONS
Photographs of VolTRAX VAA1000m, 3 pages. The VolTRAX VAA1000m was publicly known prior to Nov. 21, 2017.
* cited by examiner
Primary Examiner — Anhdao Doan
(74) *Attorney, Agent, or Firm* — Wolf, Greenfield & Sacks, P.C.

(57) **CLAIM**
The ornamental design for an analysis device, as shown and described.

DESCRIPTION
FIG. 1 is a top, rear, right side perspective view of an analysis device showing our new design; FIG. 2 is a rear elevation view thereof; FIG. 3 is a front elevation view thereof; FIG. 4 is a left side elevation view thereof; FIG. 5 is a right side elevation view thereof; FIG. 6 is a top plan view thereof; FIG. 7 is a bottom plan view thereof; and, FIG. 8 is a top, front, left side perspective view thereof. The dot-dash broken lines represent boundaries of the claimed design and form no part of the claimed design. The dash-dash broken lines depict portions of the analysis device that form no part of the claimed design.

1 Claim, 7 Drawing Sheets



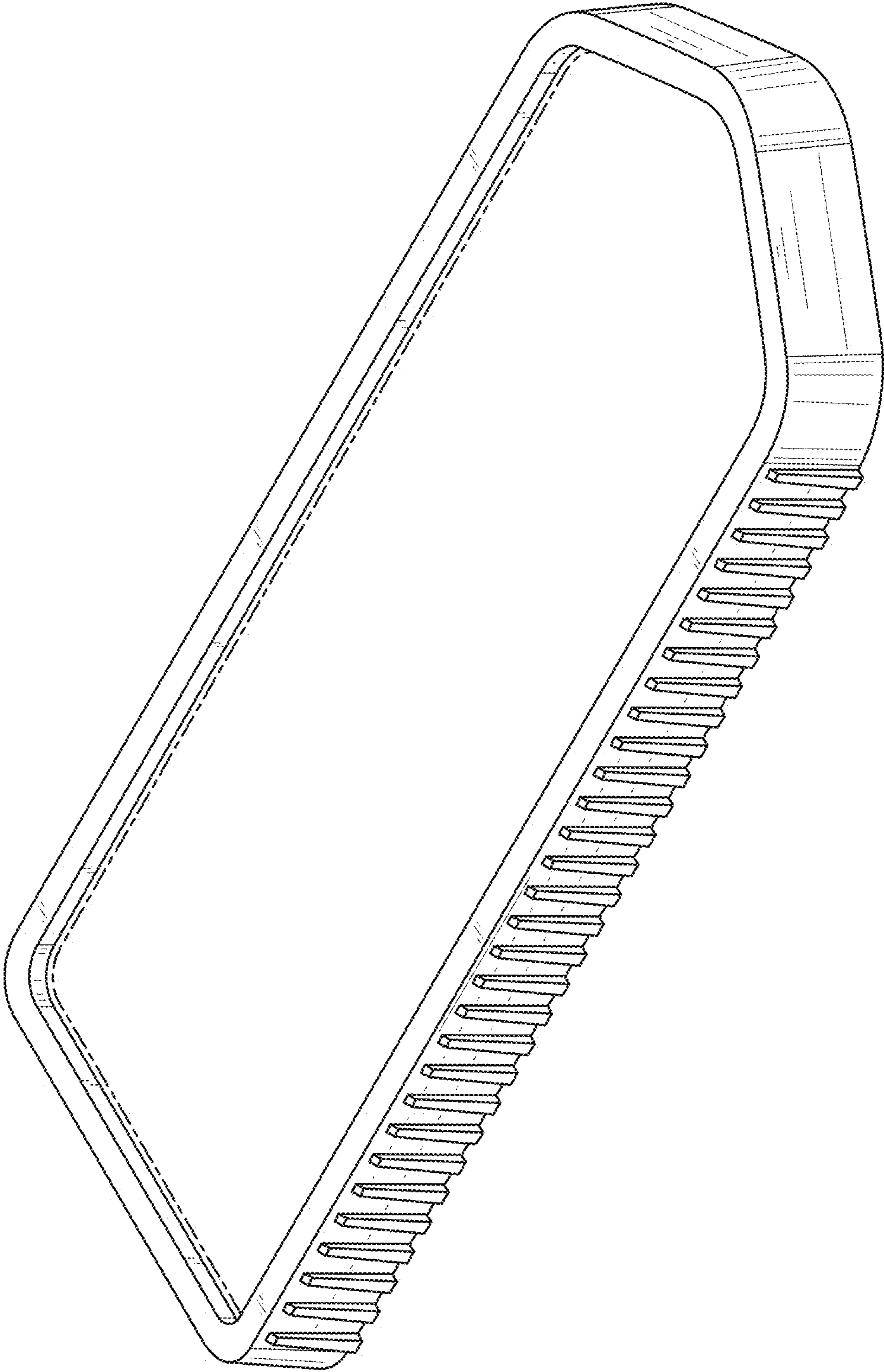


FIG. 1

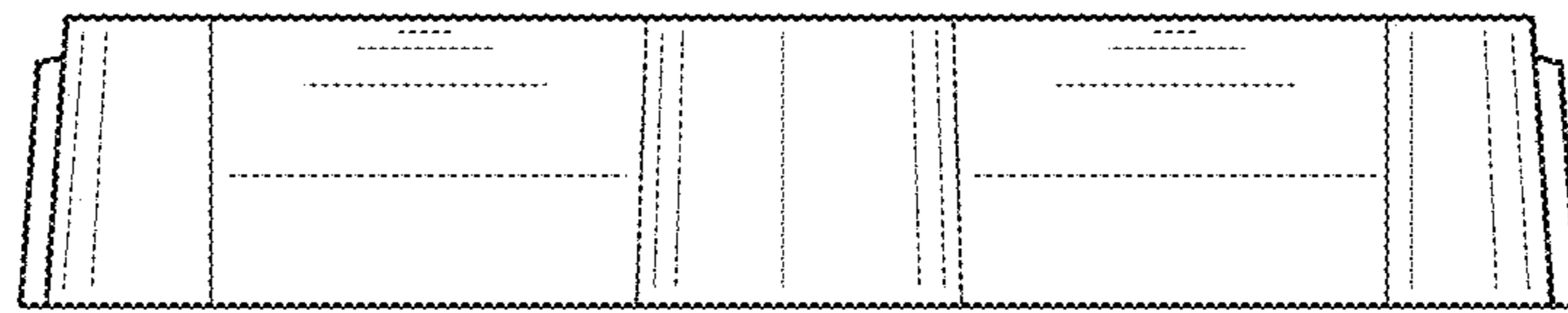


FIG. 2

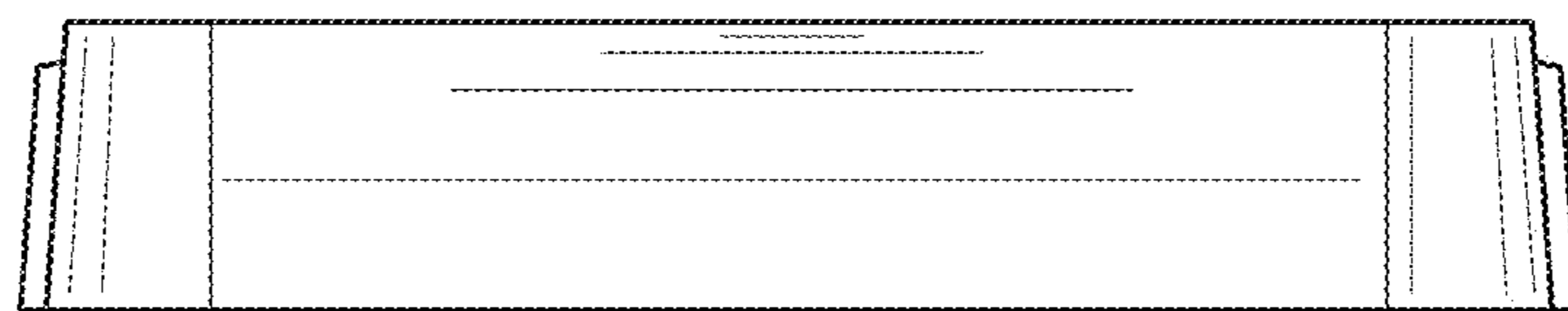


FIG. 3

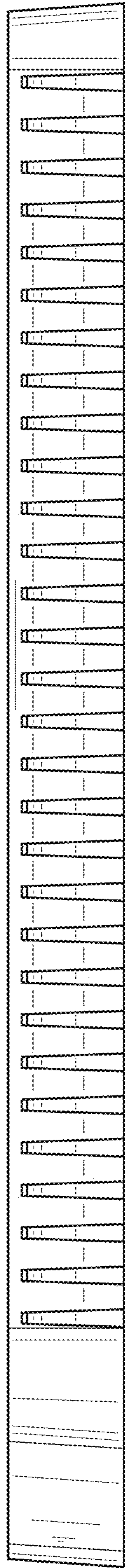


FIG. 4

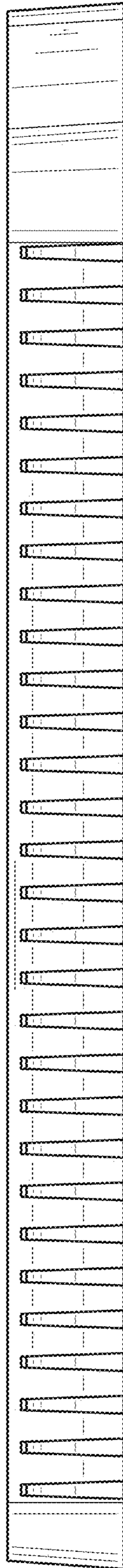


FIG. 5

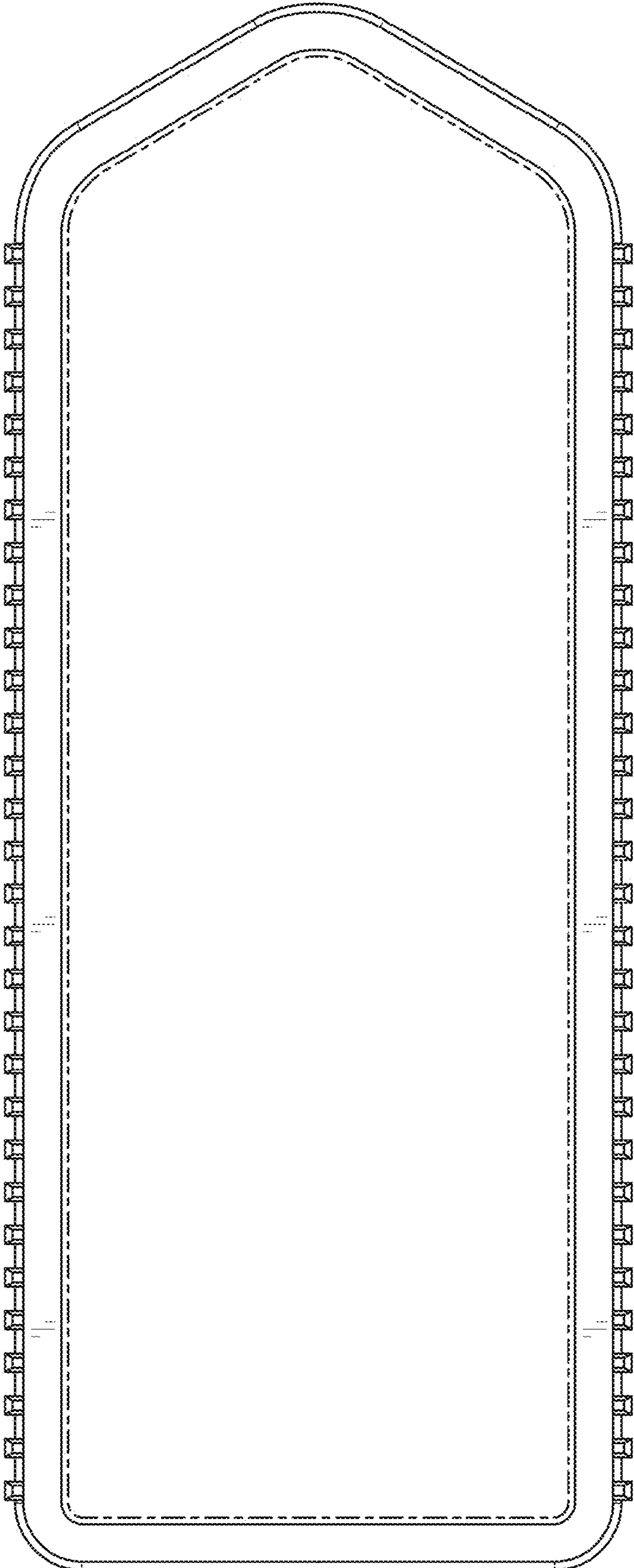


FIG. 6



FIG. 7

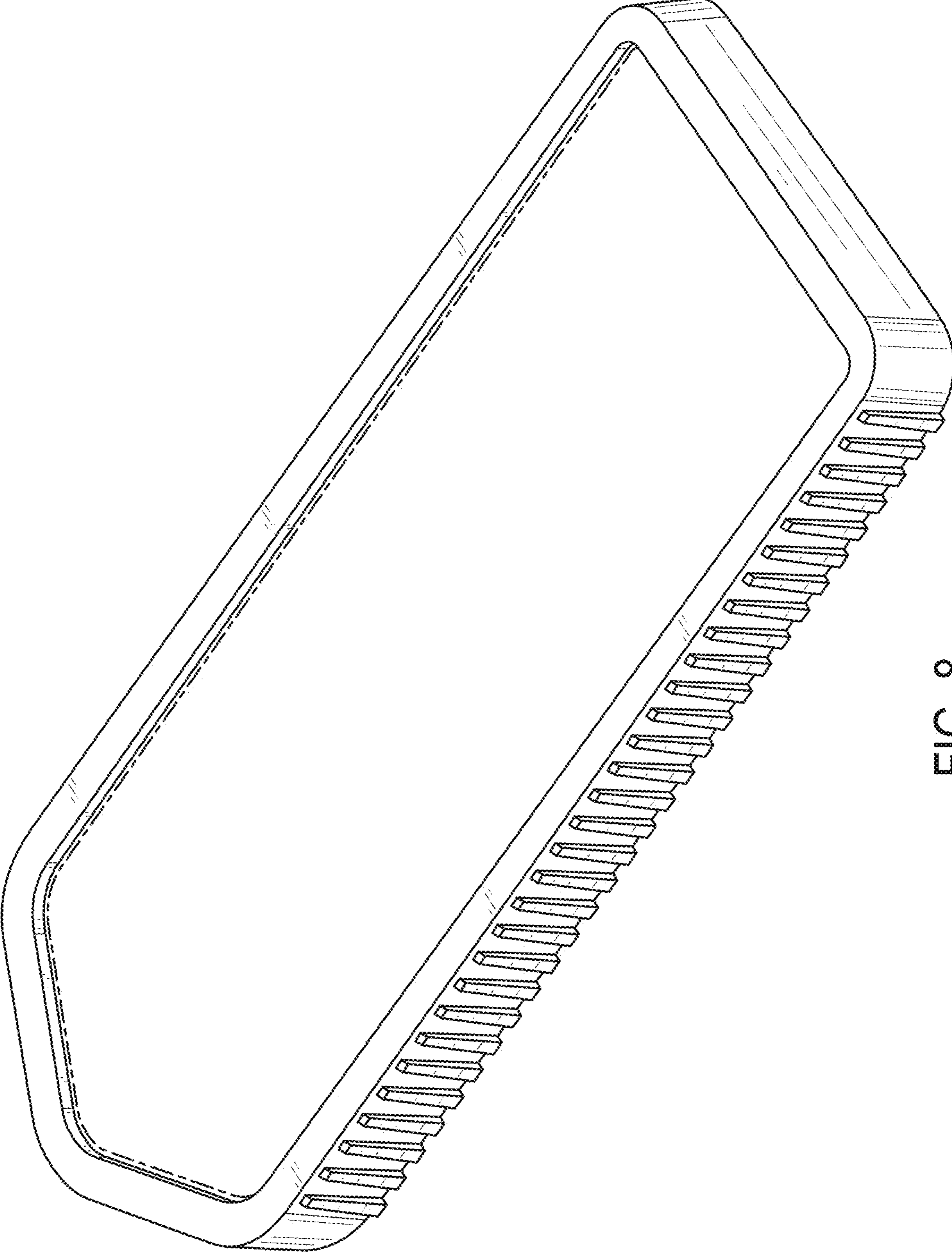


FIG. 8