



US00D910191S

(12) **United States Design Patent**
Cetta et al.

(10) **Patent No.:** **US D910,191 S**
(45) **Date of Patent:** **** Feb. 9, 2021**

(54) **ORTHODONTIC ELASTIC ATTACHMENT FOR USE WITH DENTAL ALIGNERS FOR CANINE OR PREMOLAR TEETH**

(71) Applicant: **TH!NK Innovations, LLC**,
Moorestown, NJ (US)
(72) Inventors: **Christopher N. Cetta**, St. Petersburg,
FL (US); **Richard A. Kaye**,
Moorestown, NJ (US)

(73) Assignee: **TH!NK Innovations, LLC**,
Moorestown, NJ (US)

(**) Term: **15 Years**

(21) Appl. No.: **29/704,219**

(22) Filed: **Sep. 3, 2019**

Related U.S. Application Data

(63) Continuation-in-part of application No. 16/380,851,
filed on Apr. 10, 2019, which is a continuation-in-part
of application No. 29/639,669, filed on Mar. 7, 2018,
now Pat. No. Des. 859,663.

(51) **LOC (13) Cl.** **24-02**

(52) **U.S. Cl.**
USPC **D24/200**

(58) **Field of Classification Search**
USPC D24/180–182, 127–128, 156
CPC ... A61F 5/566; A61F 5/56; A61C 7/08; A61C
7/10; A61C 7/12; A61C 7/22; A61C 7/36;
A61C 7/00

See application file for complete search history.

(56) **References Cited**

U.S. PATENT DOCUMENTS

5,183,388 A 2/1993 Kumar
6,036,488 A 3/2000 Williams
6,418,933 B1 7/2002 Strong

6,702,575 B2 * 3/2004 Hilliard A61C 7/00
433/18
7,018,202 B2 3/2006 Teramoto
7,077,646 B2 7/2006 Hilliard
7,578,672 B2 * 8/2009 Sheikh A61C 7/36
433/19
D641,476 S 7/2011 Sibhatu et al.
7,987,854 B2 8/2011 Arni
D685,098 S 6/2013 Tompkins
9,237,941 B2 1/2016 Hayes
9,393,085 B2 7/2016 Mohr
D859,663 S 9/2019 Cetta et al.

(Continued)

Primary Examiner — Wan Laymon

(74) *Attorney, Agent, or Firm* — Carr & Ferrell LLP

(57) **CLAIM**

The ornamental design for an orthodontic elastic attachment for use with dental aligners for canine or premolar teeth, as shown and described.

DESCRIPTION

FIG. 1 is an oblique view of an orthodontic elastic attachment for use with dental aligners for canine or premolar teeth, showing our new design.

FIG. 2 is a facial view thereof.

FIG. 3 is a lingual view thereof.

FIG. 4 is a mesial view thereof.

FIG. 5 is a distal view thereof.

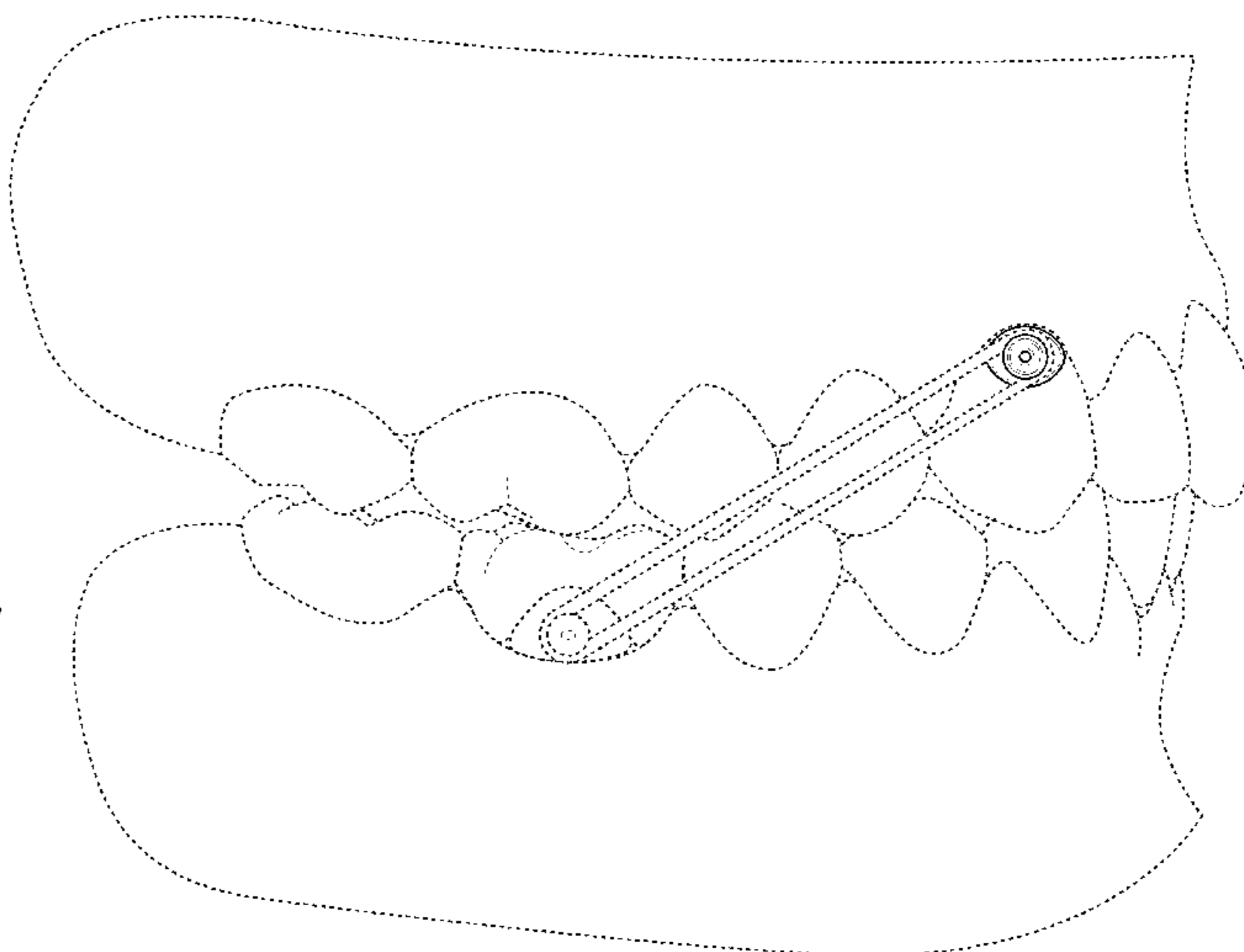
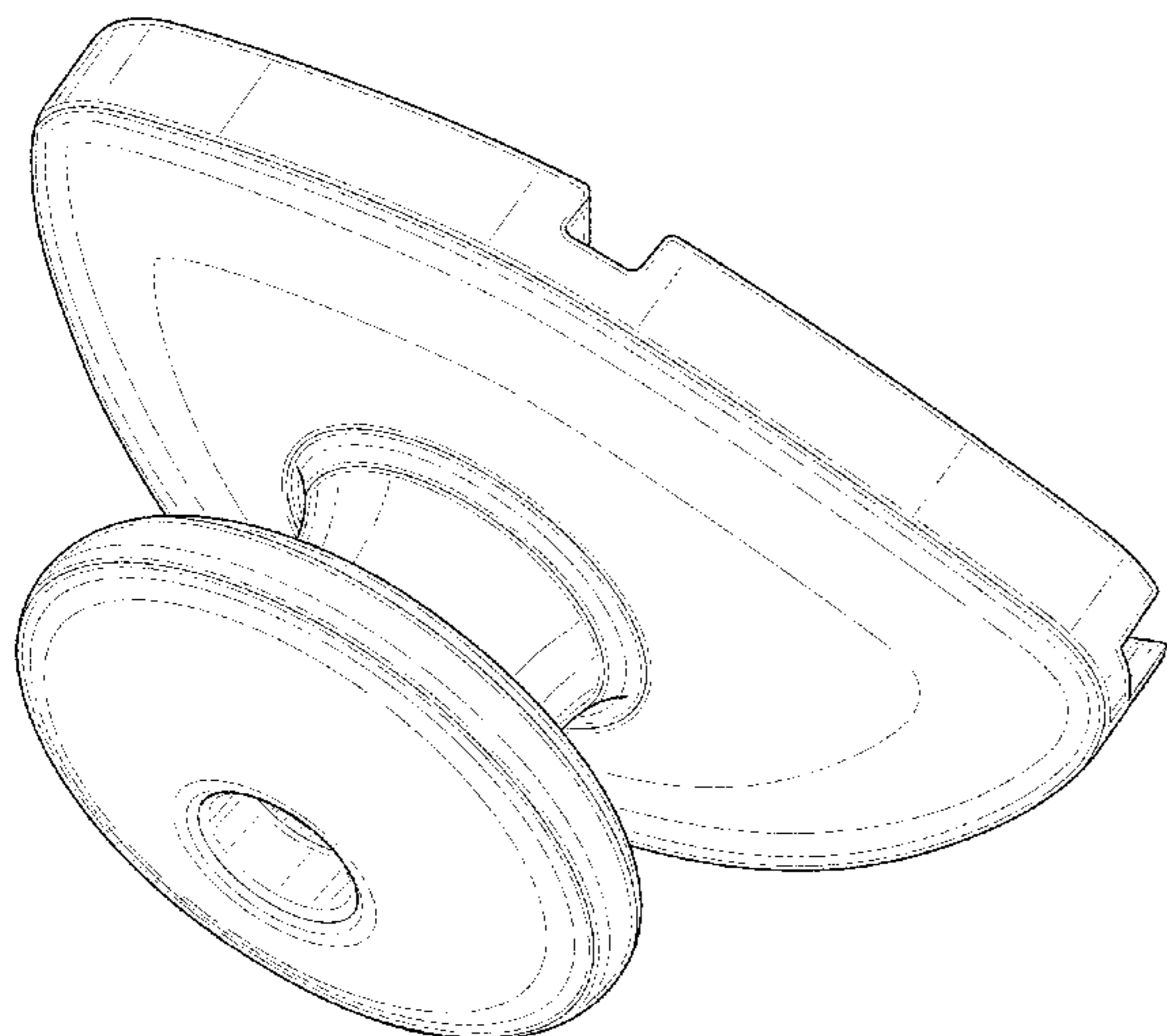
FIG. 6 is an occlusal view thereof.

FIG. 7 is a gingival view thereof; and,

FIG. 8 is a facial view as applied with elastic attachments specific for the molar and the canine applied to the appropriate teeth within the cutout windows of the aligners. An elastic band embodiment is connected between the canine and molar attachments thereof.

The broken lines shown in the drawings are included for the purpose of illustrating environmental structure and form no part of the claimed design.

1 Claim, 7 Drawing Sheets



(56)

References Cited

U.S. PATENT DOCUMENTS

10,456,219	B2 *	10/2019	Buddemeyer	A61C 7/36
2006/0234180	A1	10/2006	Huge et al.	
2009/0032030	A1	2/2009	Callender	
2018/0153643	A1	6/2018	Lambert	
2019/0274788	A1 *	9/2019	Cetta	A61C 7/36

* cited by examiner

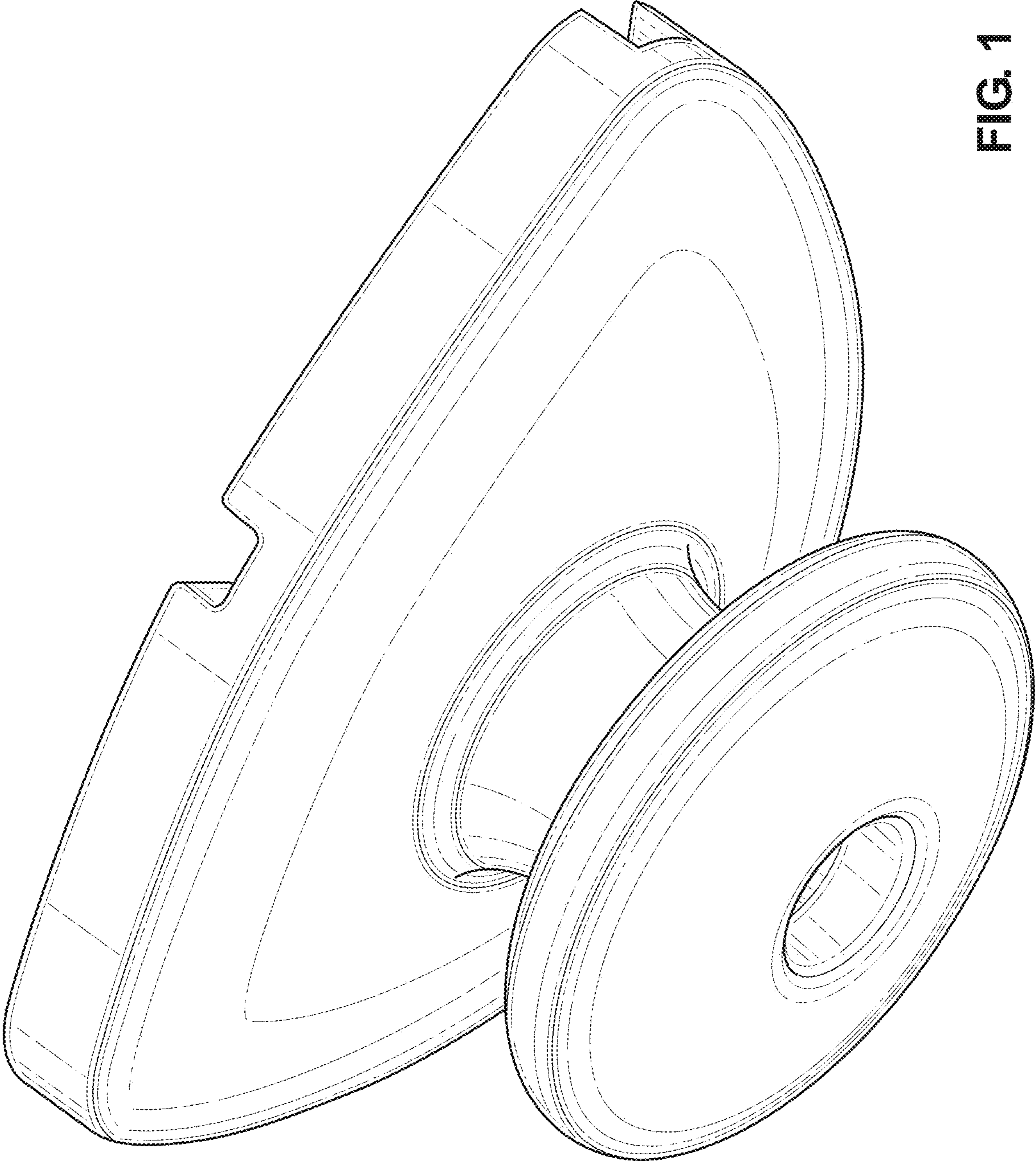


FIG. 1

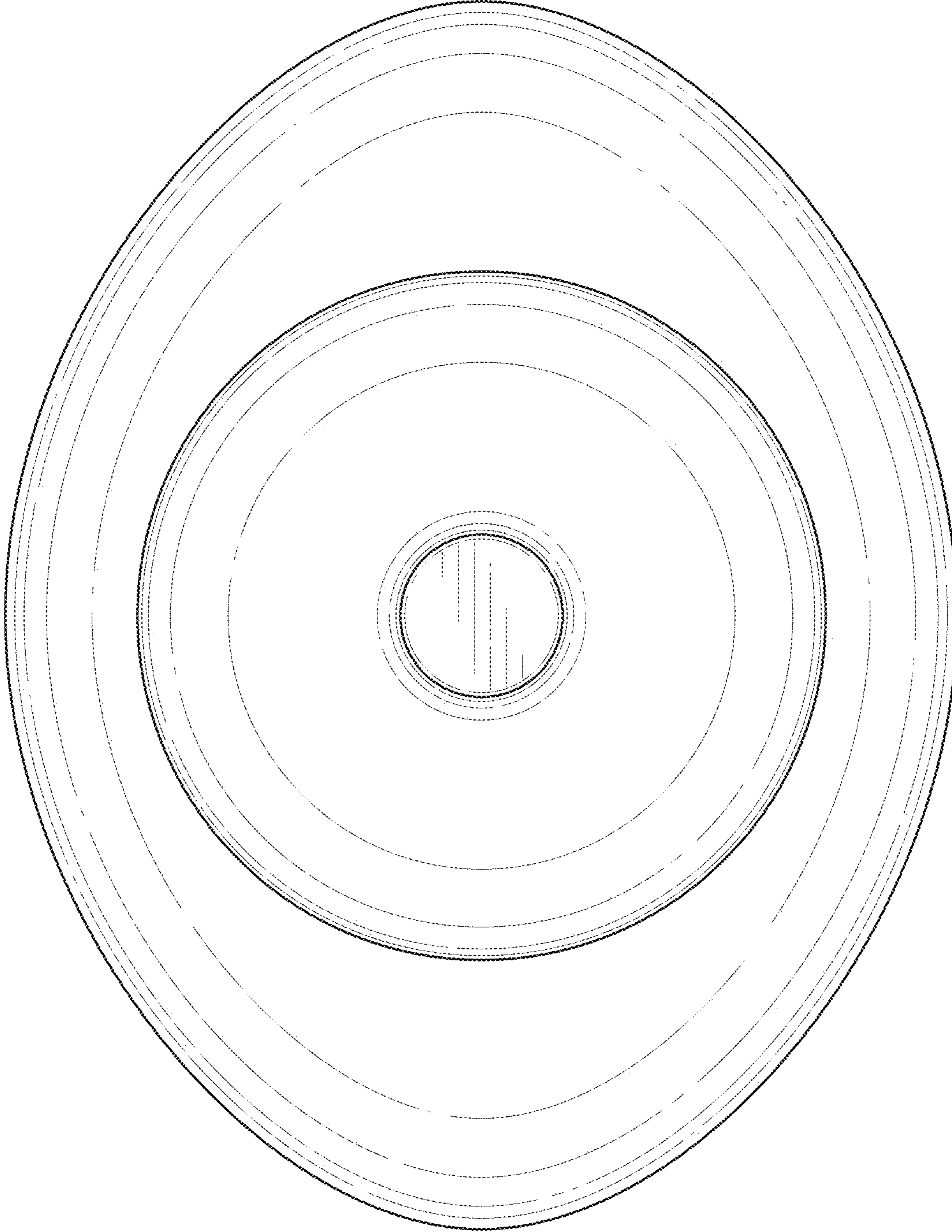


FIG. 2

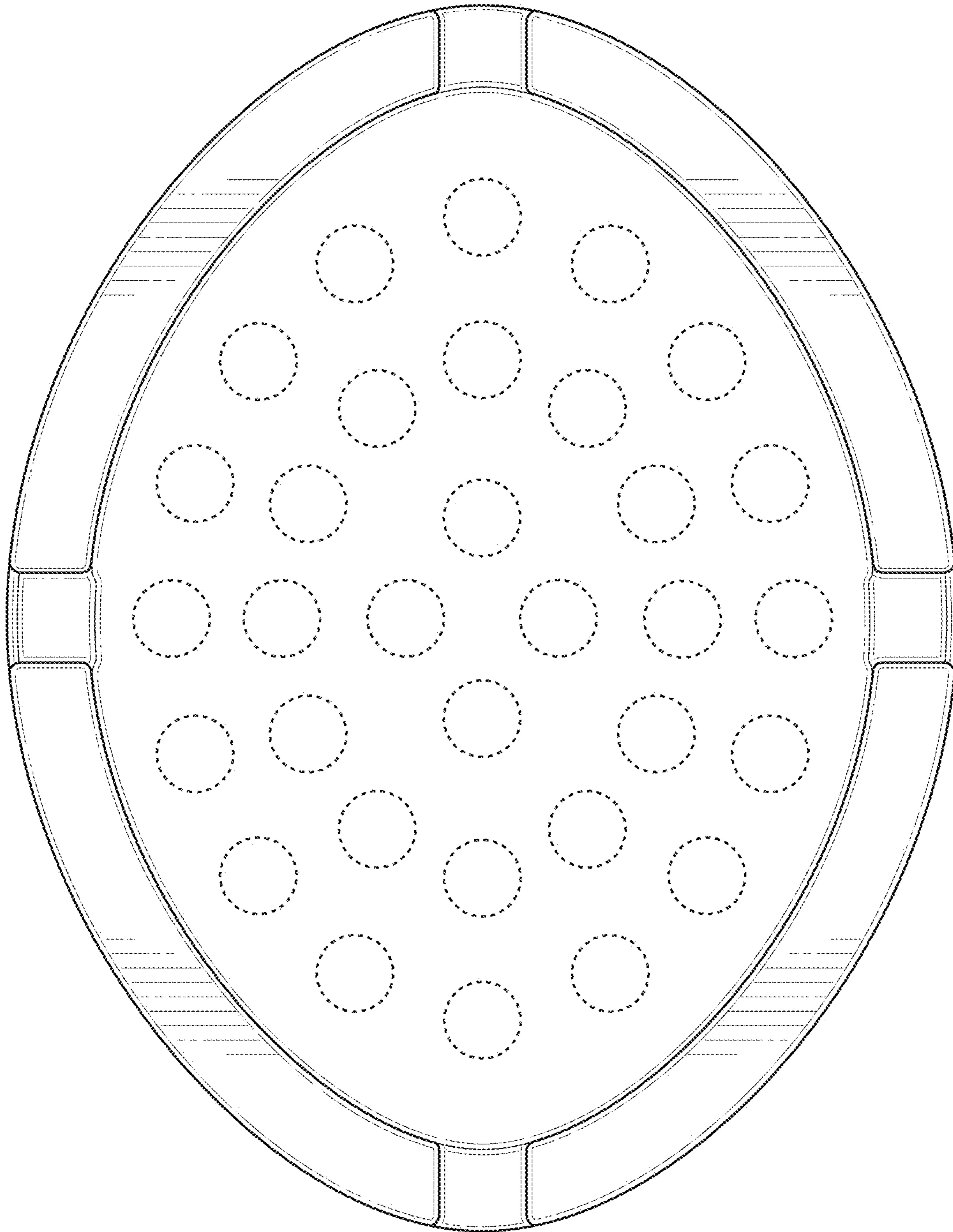


FIG. 3

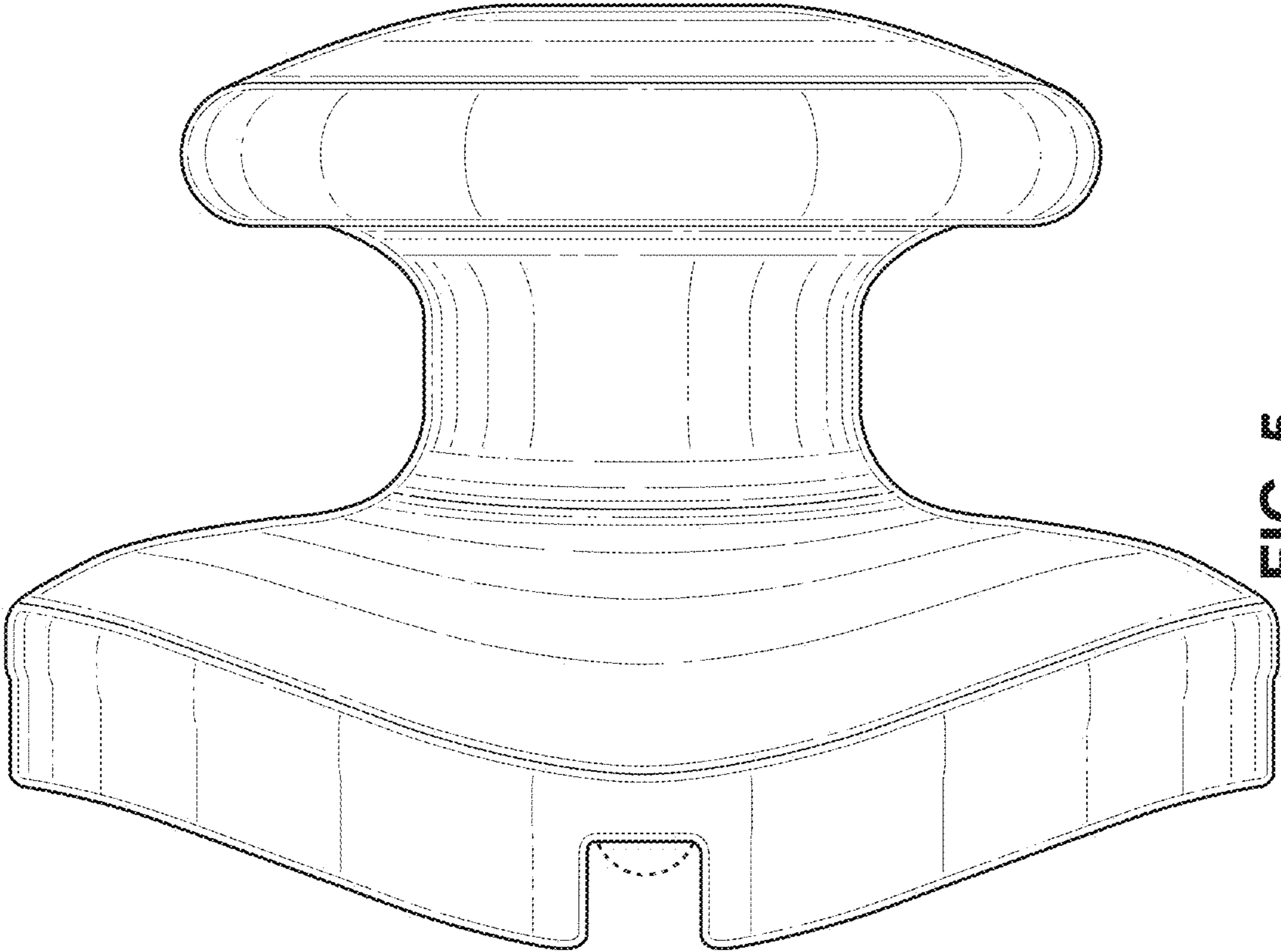


FIG. 5

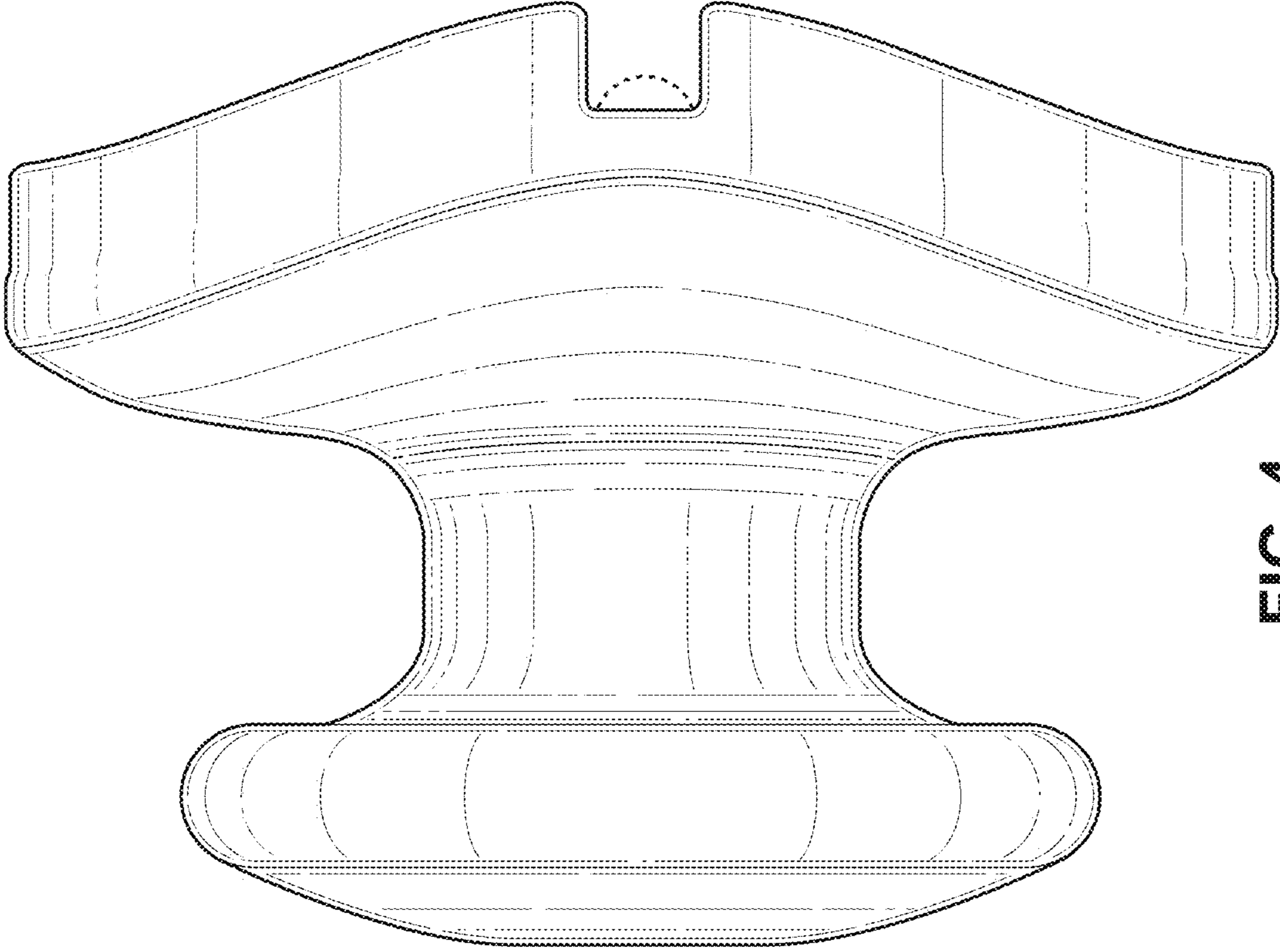


FIG. 4

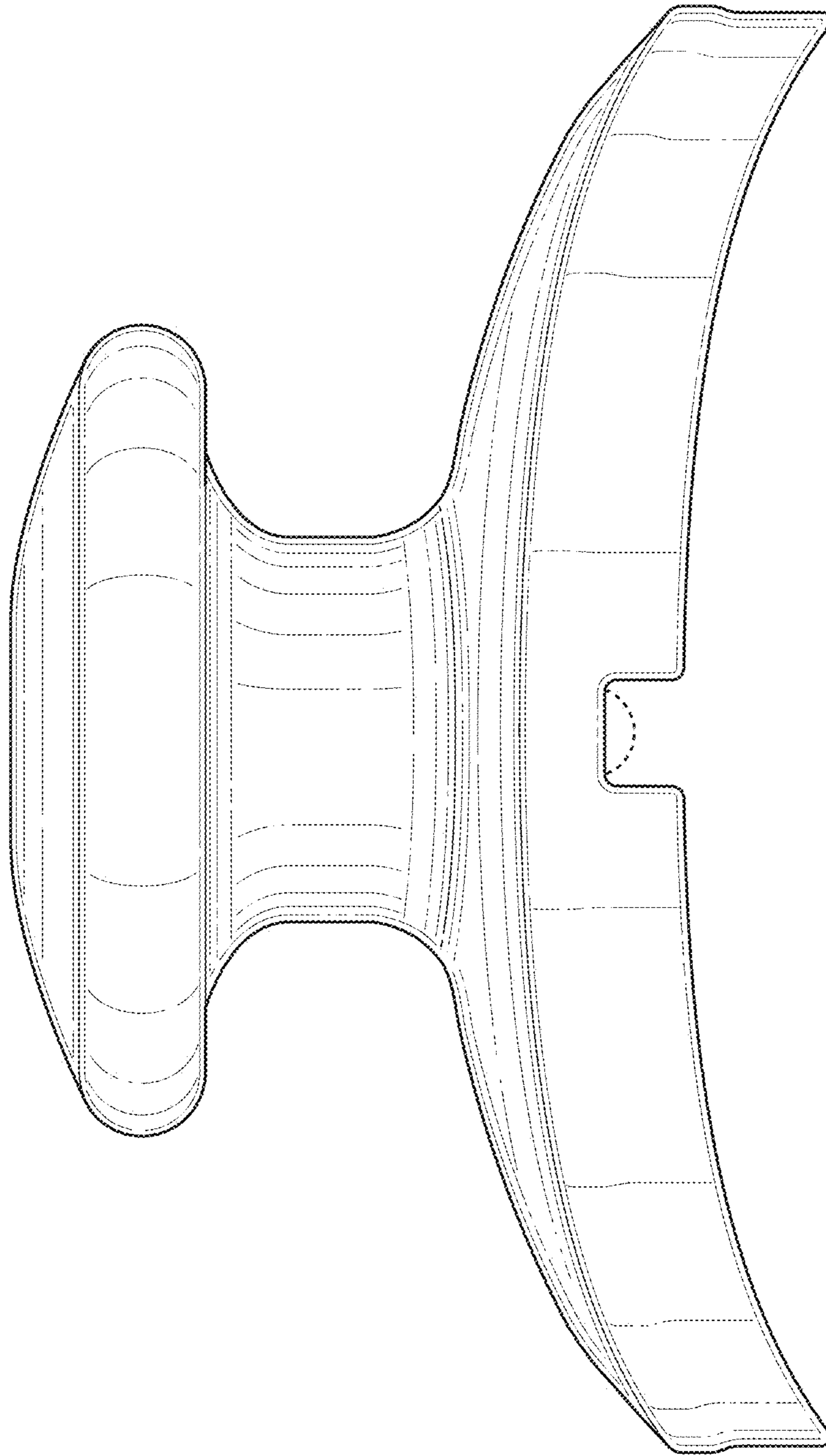


FIG. 6

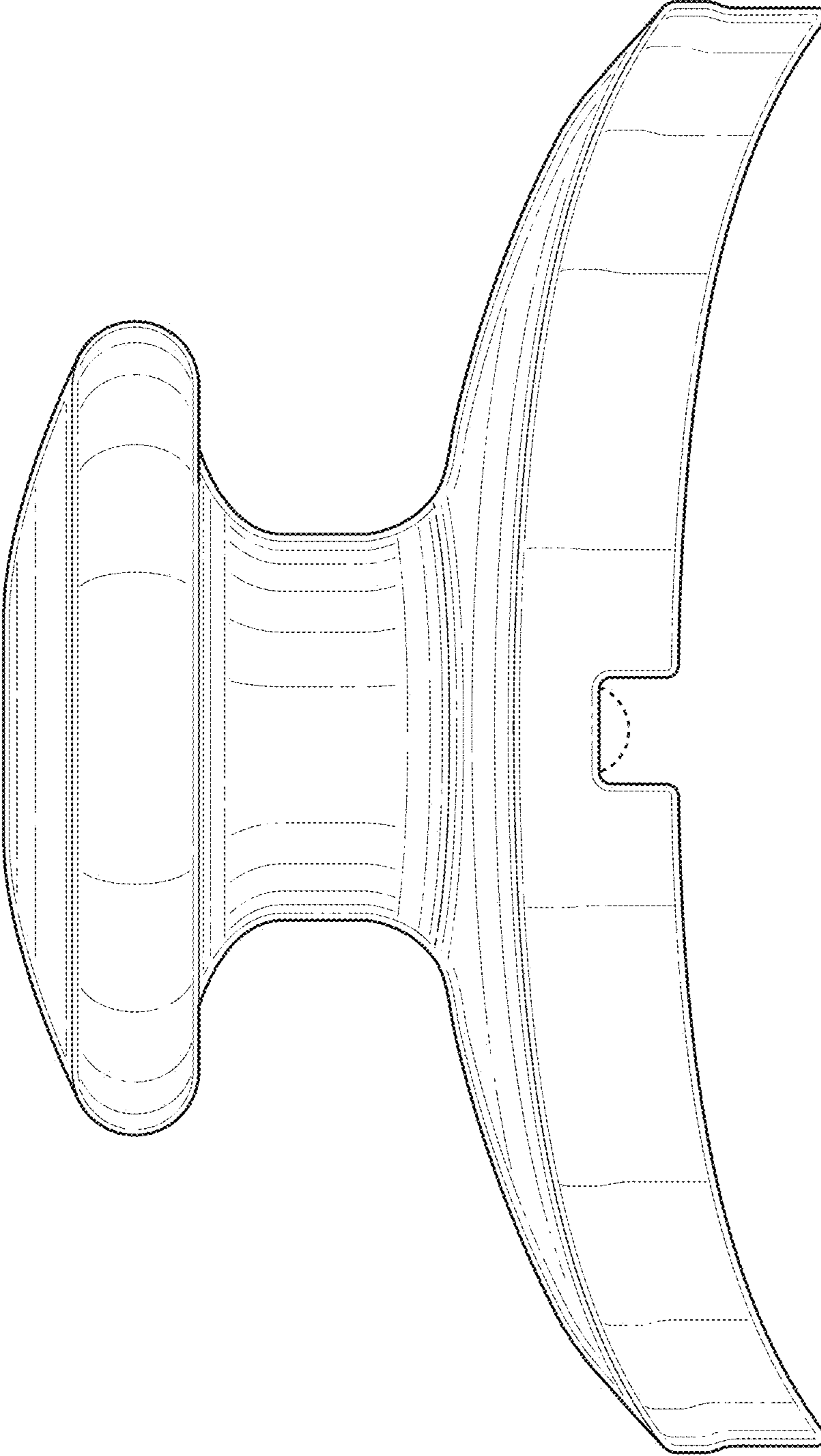


FIG. 7

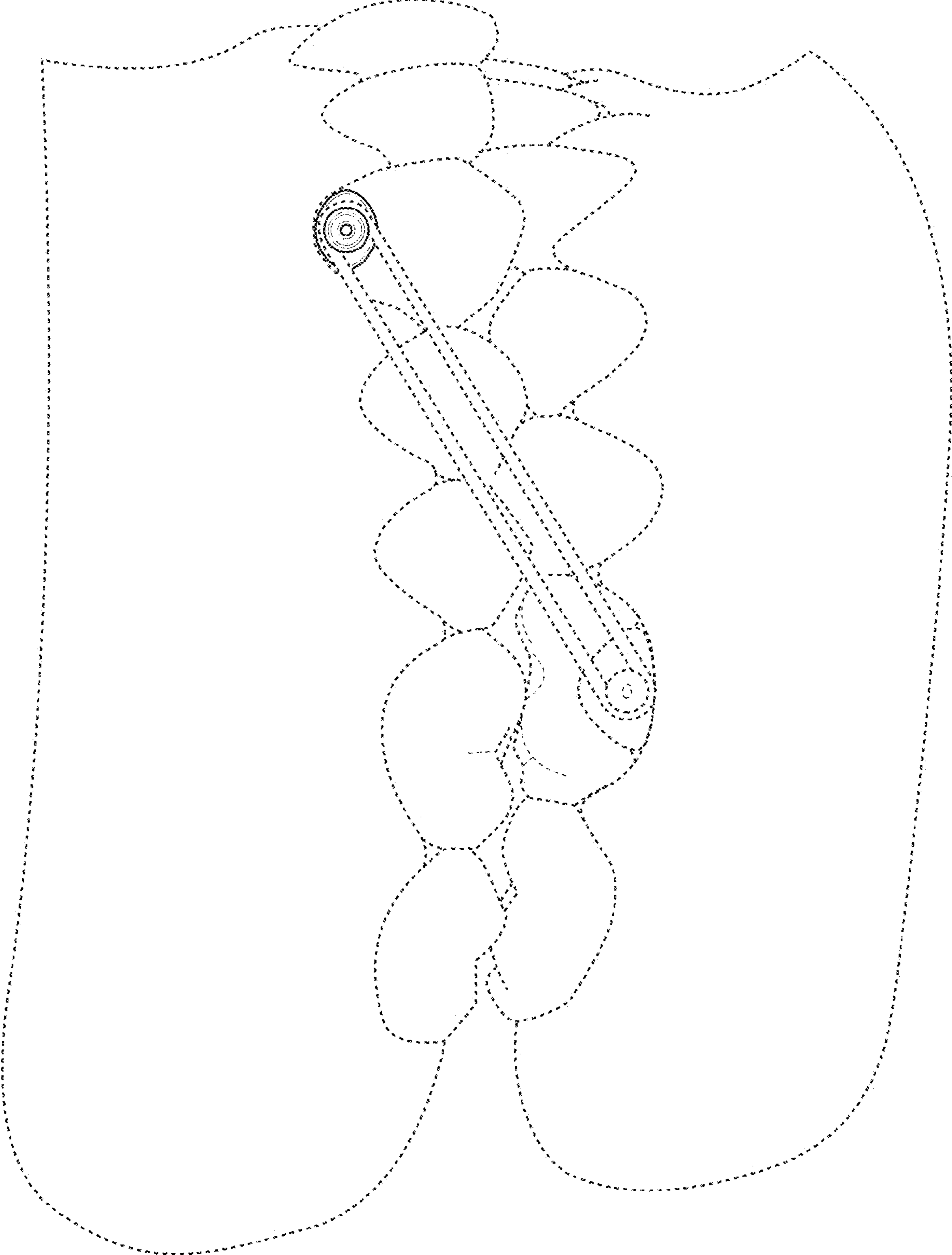


FIG. 8