



US00D910189S

(12) **United States Design Patent** (10) **Patent No.:** **US D910,189 S**
Johnson et al. (45) **Date of Patent:** **** Feb. 9, 2021**

(54) **EYE PATCH DEVICE**

(71) Applicant: **MULTI RADIANCE MEDICAL**,
Solon, OH (US)
(72) Inventors: **Douglas Johnson**, Brownstown, MI
(US); **Max Kanarsky**, Solon, OH (US);
Larry W. Finn, Georgetown, TX (US);
Ian Dwayne Campbell, Saginaw, TX
(US); **Jeffrey A. Lenk**, Hutto, TX (US);
Michael T. Barrett, Georgetown, TX
(US); **Scott R. Lenk**, Taylor, TX (US)

(73) Assignee: **MULTI RADIANCE MEDICAL**,
Solon, OH (US)

(**) Term: **15 Years**

(21) Appl. No.: **29/679,054**

(22) Filed: **Feb. 1, 2019**

Related U.S. Application Data

(63) Continuation-in-part of application No. 16/317,984,
filed as application No. PCT/US2018/044954 on Aug.
2, 2018.

(51) **LOC (13) Cl.** **24-01**

(52) **U.S. Cl.**
USPC **D24/190**

(58) **Field of Classification Search**
USPC D24/189, 206
CPC A61L 15/26; A61L 15/58; A61L 15/60;
A61L 15/425; A61F 13/0203; A61F
13/0246; A61F 2013/00748; A61F
13/0223; A61F 13/0276; A61F 13/022;
A61F 2013/00604; A61F 2013/00846;
A61F 13/0206; A61F 13/023; A61F
2013/00578; A61F 2013/00587; A61F
2013/00804;

(Continued)

(56) **References Cited**

U.S. PATENT DOCUMENTS

2,643,382 A * 6/1953 McLeod A61F 9/04
2/15
4,709,695 A * 12/1987 Kohn A61F 9/04
128/858

(Continued)

Primary Examiner — Jennifer L Watkins
(74) *Attorney, Agent, or Firm* — Tarolli, Sundheim,
Covell & Tummino LLP

(57) **CLAIM**

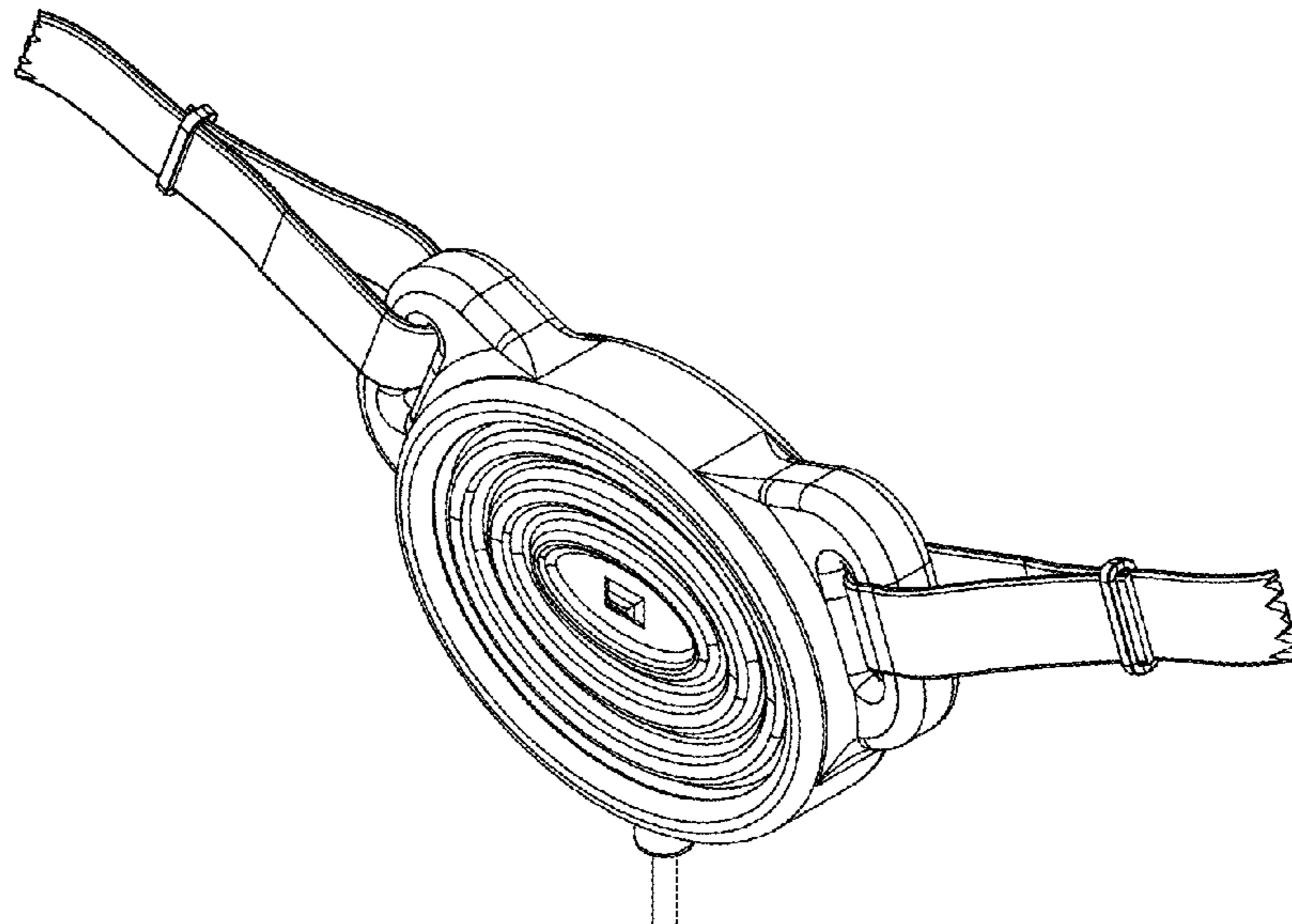
The ornamental design for an eye patch device, as shown
and described.

DESCRIPTION

This application is a continuation in part of U.S. Ser. No.
16/317,984, filed Jan. 15, 2019, entitled “SYSTEM AND
METHOD FOR DIRECTING LIGHT INTO A PATIENT’S
EYE”, which is national stage entry of PCT Appl. No.
PCT/US18/44954, filed Aug. 2, 2018, entitled “SYSTEM
AND METHOD FOR DIRECTING LIGHT INTO A
PATIENT’S EYE”, which claims the benefit of U.S. Provi-
sional application Ser. No. 62/540,204, filed Aug. 2, 2017,
entitled “SYSTEM AND METHOD FOR TREATMENT
AND PREVENTION OF VISION DISORDERS USING
LIGHT TREATMENT”. These applications are hereby
incorporated by reference.

FIG. 1 is a perspective view of an eye patch device showing
our new design;
FIG. 2 is a front view thereof, which faces a patient’s eye;
FIG. 3 is a back view thereof, which faces away from the
patient’s eye;
FIG. 4 is a left side view thereof;
FIG. 5 is a right side view thereof;
FIG. 6 is a top side view thereof; and,
FIG. 7 is a bottom side view thereof.

1 Claim, 4 Drawing Sheets



(58) **Field of Classification Search**

CPC .. A61F 2013/00885; A61F 2013/53445; A61F
2013/51078; A61F 9/04; A61F 13/124;
A61F 2013/00497

See application file for complete search history.

(56) **References Cited**

U.S. PATENT DOCUMENTS

D363,779	S *	10/1995	Auburn, Jr.	D24/189
D385,357	S *	10/1997	Alworth	D24/189
5,980,497	A *	11/1999	Yavitz	A61F 13/124
				128/858
D446,307	S *	8/2001	Bassett	D24/189
6,890,551	B2 *	5/2005	Lenz	A61F 9/04
				424/443
7,584,754	B1 *	9/2009	Pellegrini	A61F 9/04
				128/858
D785,189	S *	4/2017	Dettmar	D24/189
D798,460	S *	9/2017	Farley	D24/189
10,258,510	B1 *	4/2019	Brattin	A61F 13/0246
10,632,016	B2 *	4/2020	Durette	A61B 90/04
2014/0250556	A1 *	9/2014	Awan	A61F 9/04
				2/15

* cited by examiner

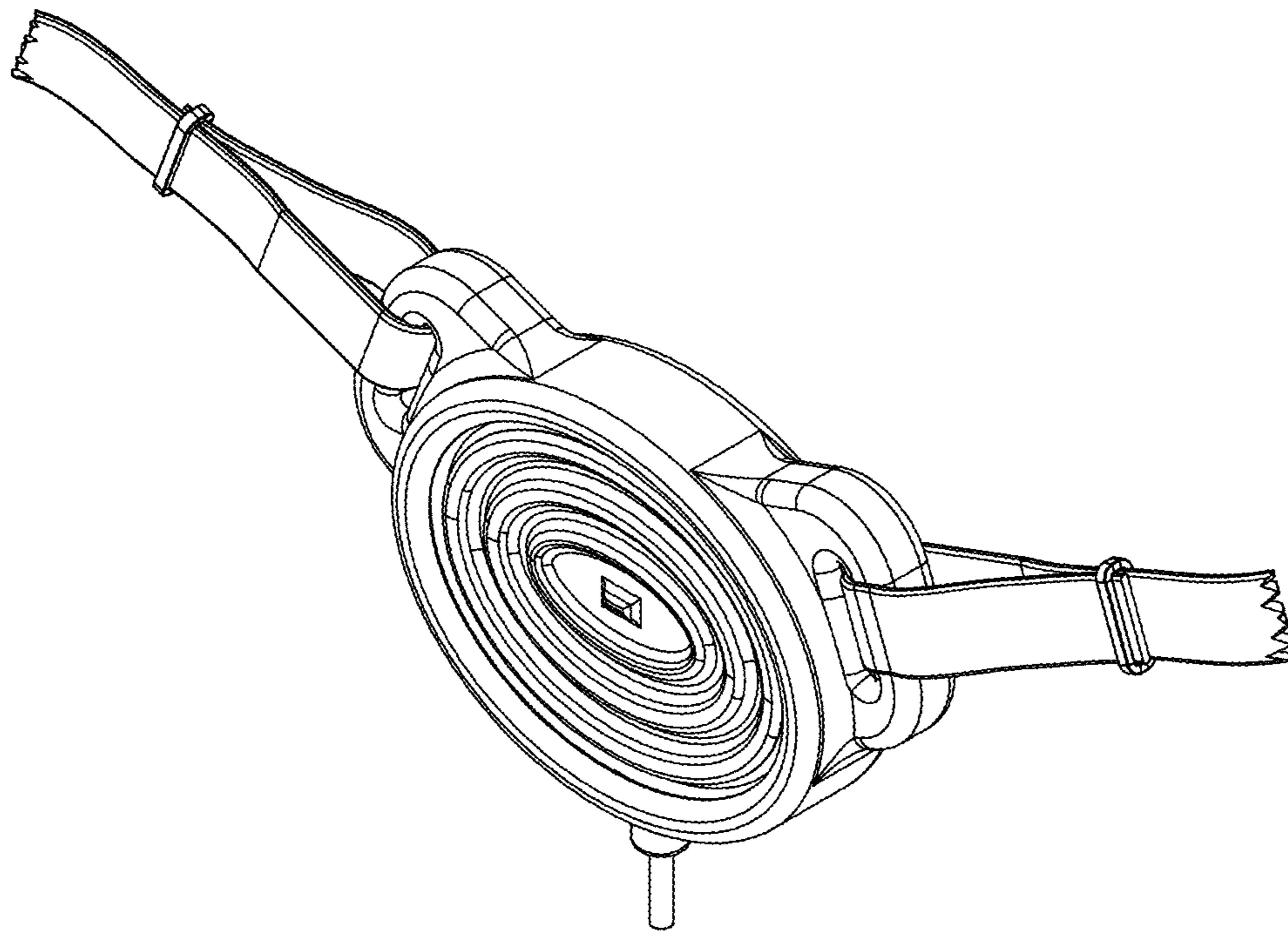


FIG. 1

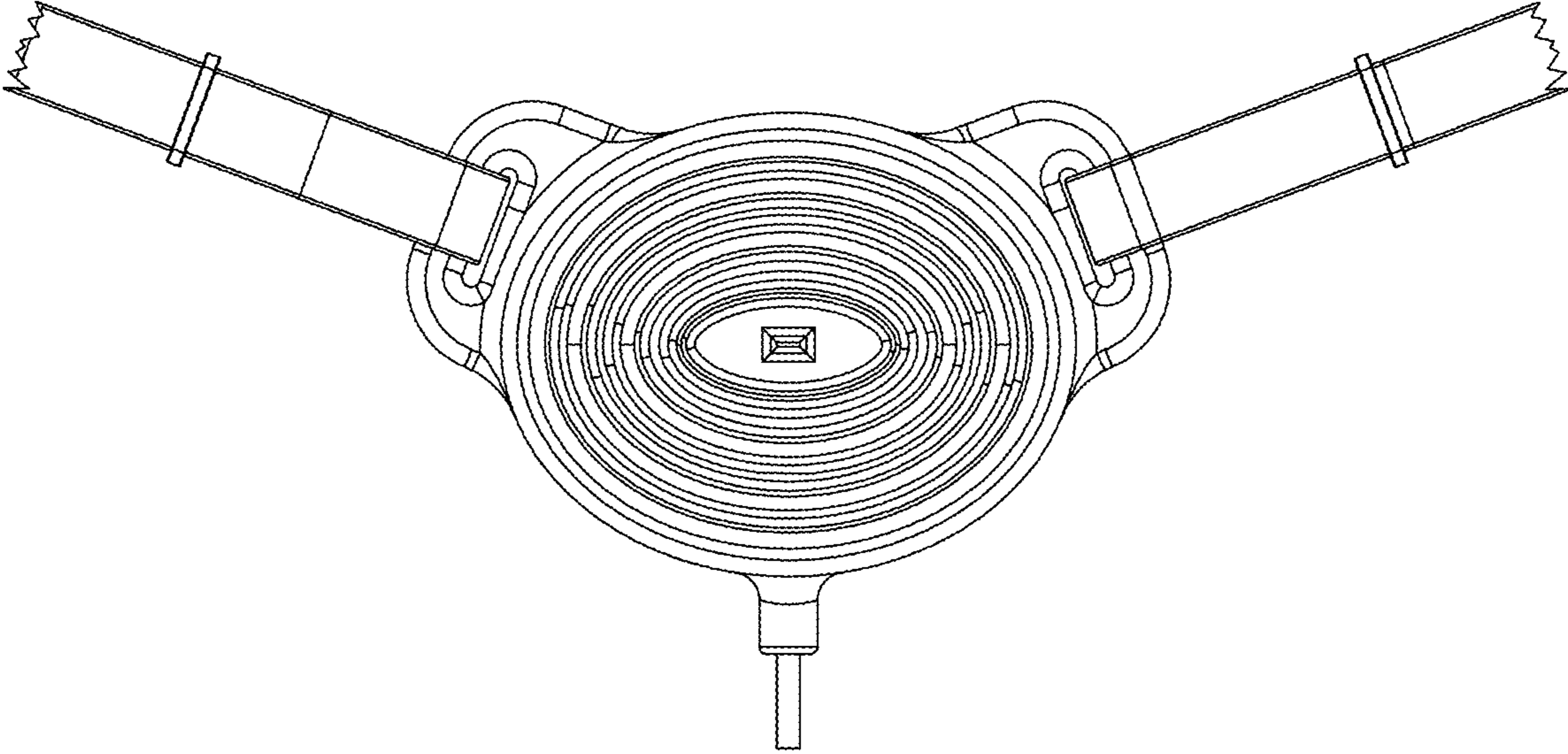


FIG. 2

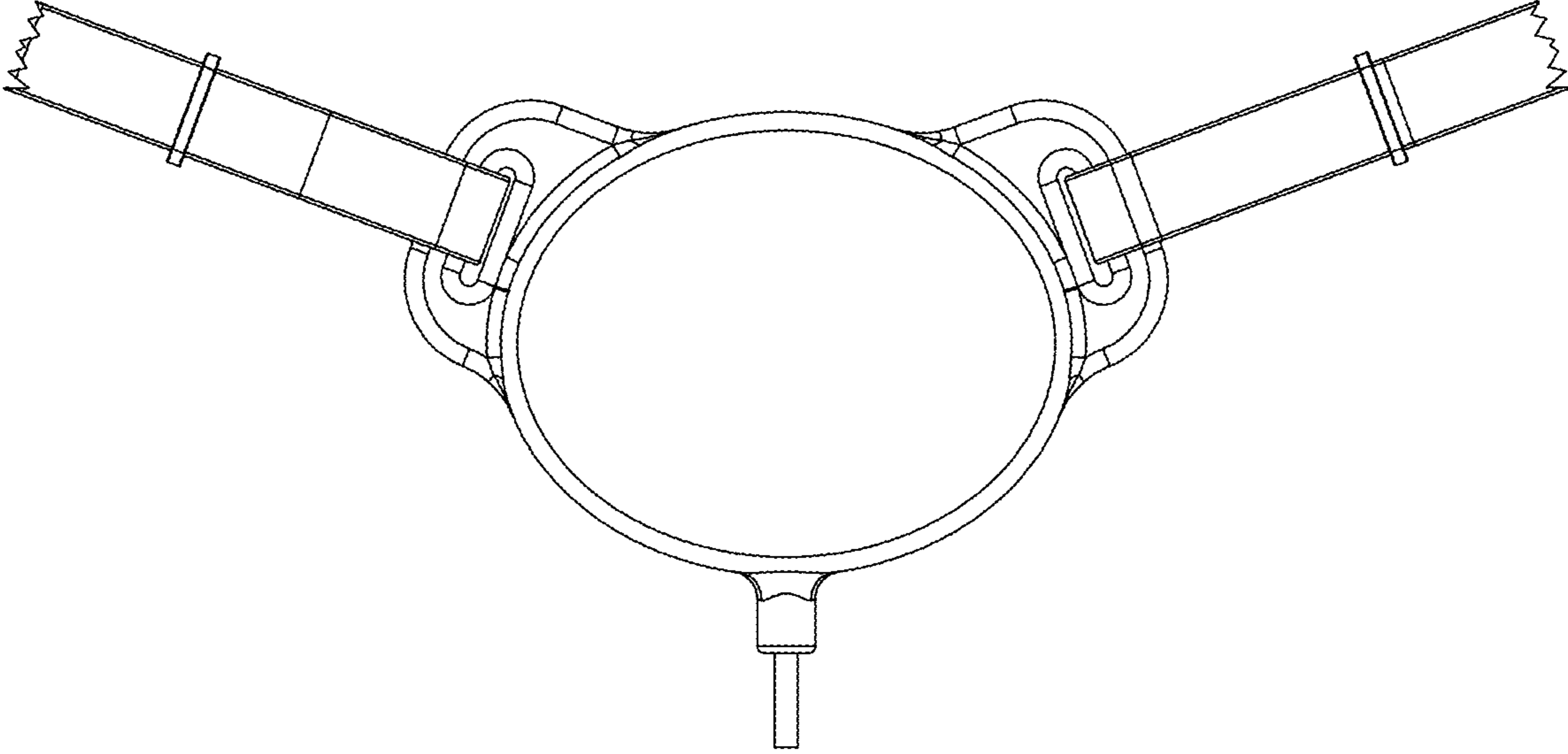


FIG. 3

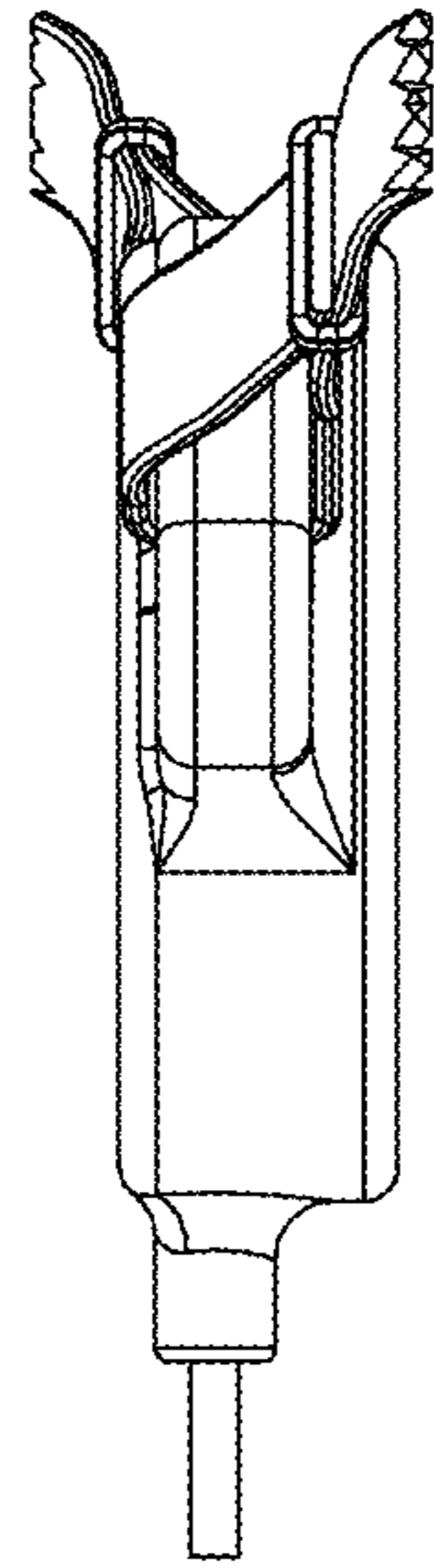


FIG. 4

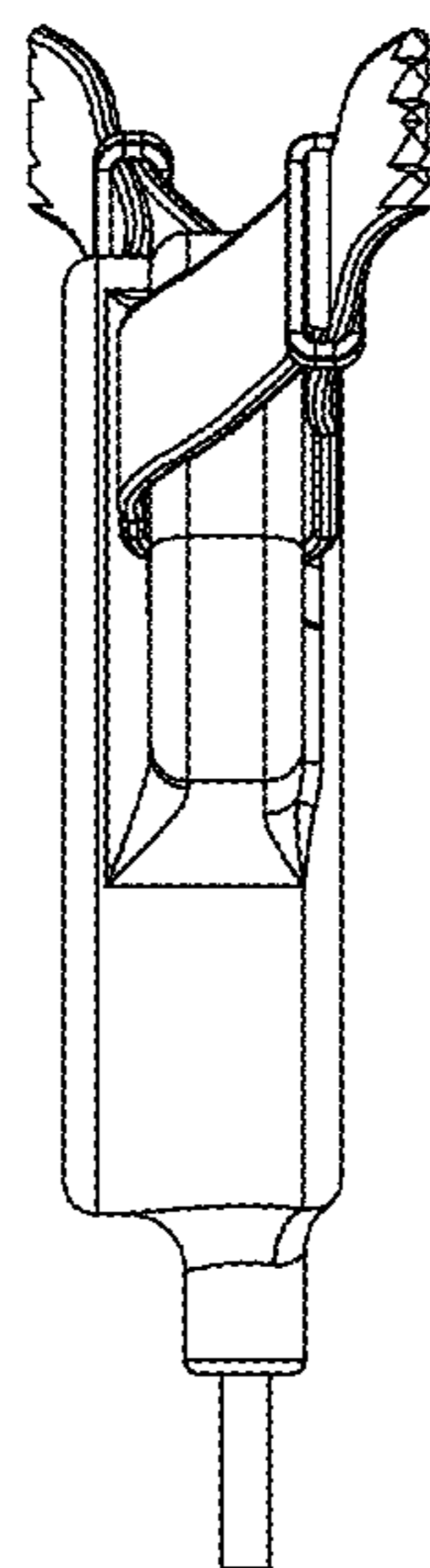


FIG. 5

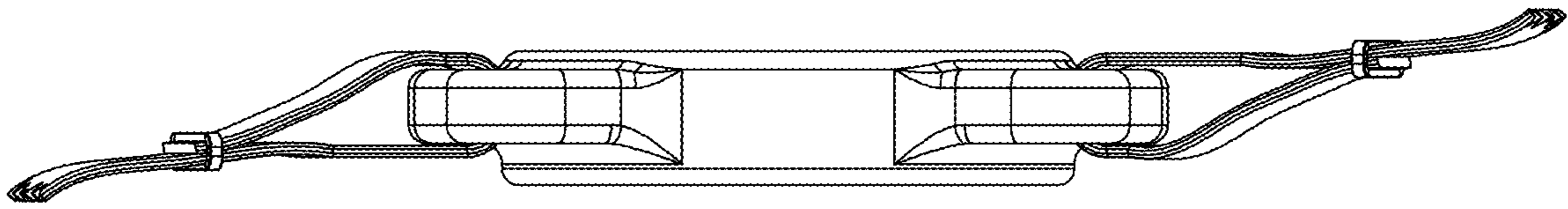


FIG. 6

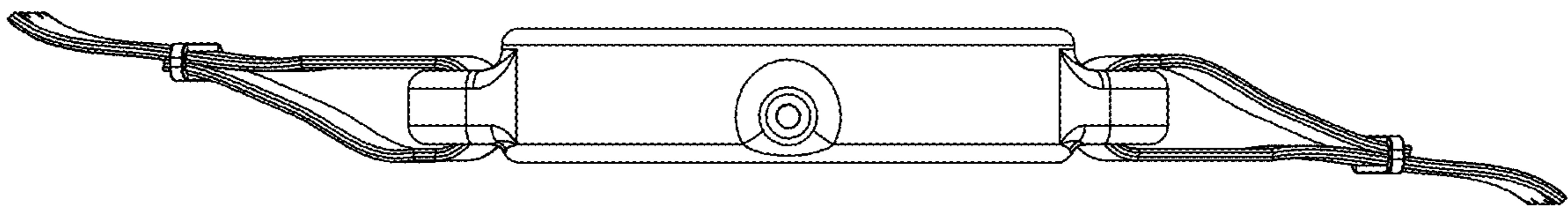


FIG. 7