



US00D910187S

(12) **United States Design Patent** (10) **Patent No.:** **US D910,187 S**
Benedikter (45) **Date of Patent:** **** Feb. 9, 2021**

(54) **MEASUREMENT DEVICE FOR FETAL AND MATERNAL SENSOR**

(71) Applicant: **KONINKLIJKE PHILIPS N.V.**,
Eindhoven (NL)
(72) Inventor: **Fabian Benedikter**, Sindelfingen (DE)
(73) Assignee: **KONINKLIJKE PHILIPS N.V.**,
Eindhoven (NL)

(**) Term: **15 Years**

(21) Appl. No.: **29/688,437**

(22) Filed: **Apr. 22, 2019**

Related U.S. Application Data

(62) Division of application No. 35/503,895, filed on May 3, 2017 (U.S. filing date under 35 U.S.C. 384), and having an international filing date of May 3, 2017, now Pat. No. Des. 846,748.

(30) **Foreign Application Priority Data**

Nov. 25, 2016 (EP) 003482017-0003

(51) **LOC (13) Cl.** **24-02**

(52) **U.S. Cl.**
USPC **D24/186**

(58) **Field of Classification Search**
USPC D24/107, 167-169, 186, 187, 321;
D10/70, 98; D14/344
CPC A61B 5/0402; A61B 5/0404; A61B 5/021;
A61B 5/024; A61B 5/02405; A61B
5/02438; A61B 5/681; A61B 2560/0247;
A61B 2560/0462

See application file for complete search history.

(56) **References Cited**

U.S. PATENT DOCUMENTS

| | | | | |
|------------|---|---------|---------------------|---------|
| D770,625 S | * | 11/2016 | Aytekkin | D24/167 |
| D846,748 S | * | 4/2019 | Benedikter | D24/186 |
| D850,627 S | * | 6/2019 | Purani | D24/186 |
| D854,168 S | * | 7/2019 | He | D24/187 |
| D854,433 S | * | 7/2019 | Vandenbussche | D24/186 |
| D864,400 S | * | 10/2019 | Benedikter | D24/186 |
| D864,767 S | * | 10/2019 | Vandenbussche | D24/186 |
| D868,978 S | * | 12/2019 | Carlile | D24/187 |

FOREIGN PATENT DOCUMENTS

EP D097117-003 * 11/2017

* cited by examiner

Primary Examiner — Anhdao Doan

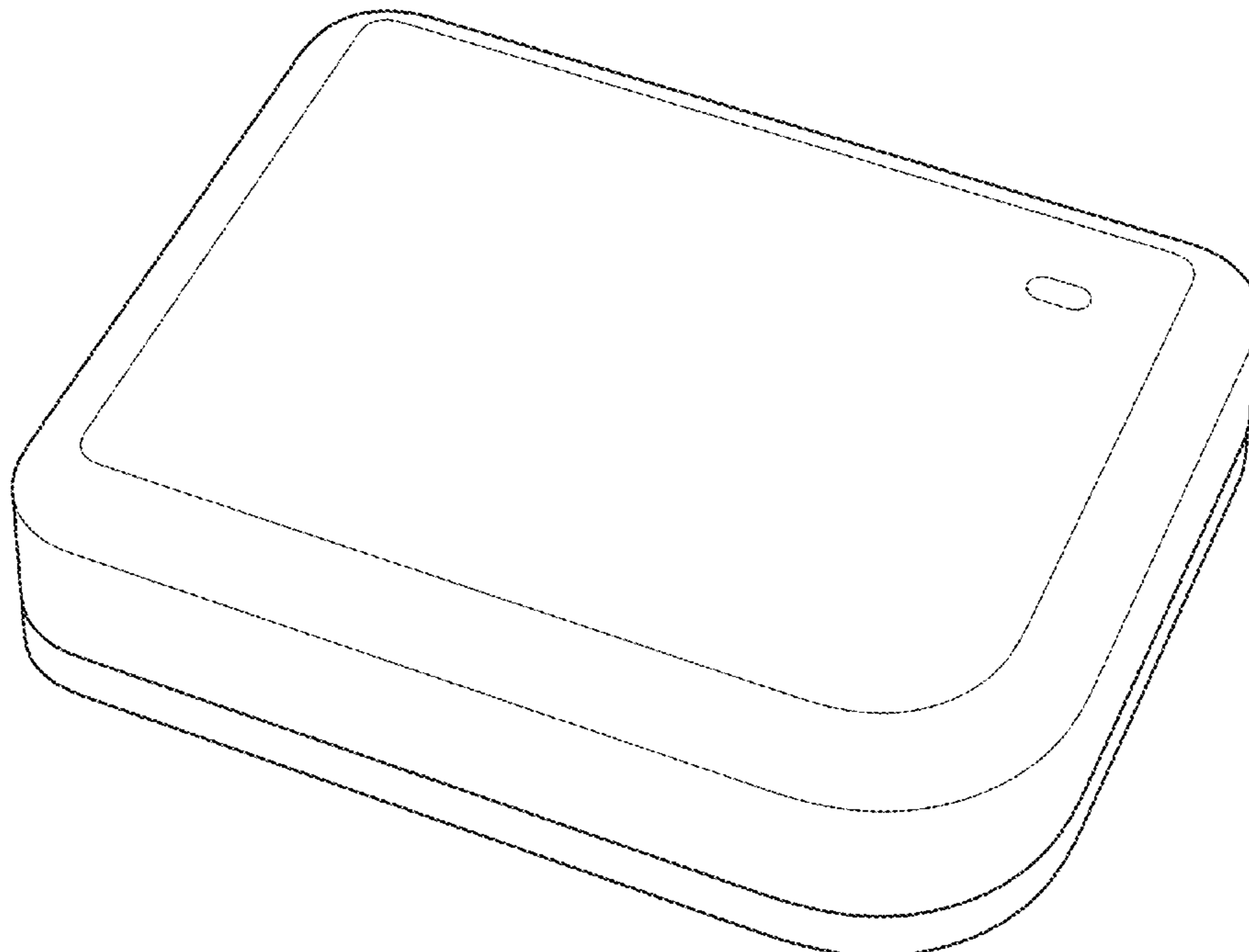
(57) **CLAIM**

The ornamental design for a measurement device for fetal and maternal sensor, as shown and described.

DESCRIPTION

FIG. 1 is a perspective view showing my design; FIG. 2 is a front elevational view thereof; FIG. 3 is a rear elevational view thereof; FIG. 4 is a right side elevational view thereof; FIG. 5 is a left side elevational view thereof; FIG. 6 is a top plan view thereof; and, FIG. 7 is a bottom plan view thereof. The broken lines depict portions of the fetal and maternal sensor that form no part of the claimed design; the broken lines form no part of the claimed design.

1 Claim, 5 Drawing Sheets



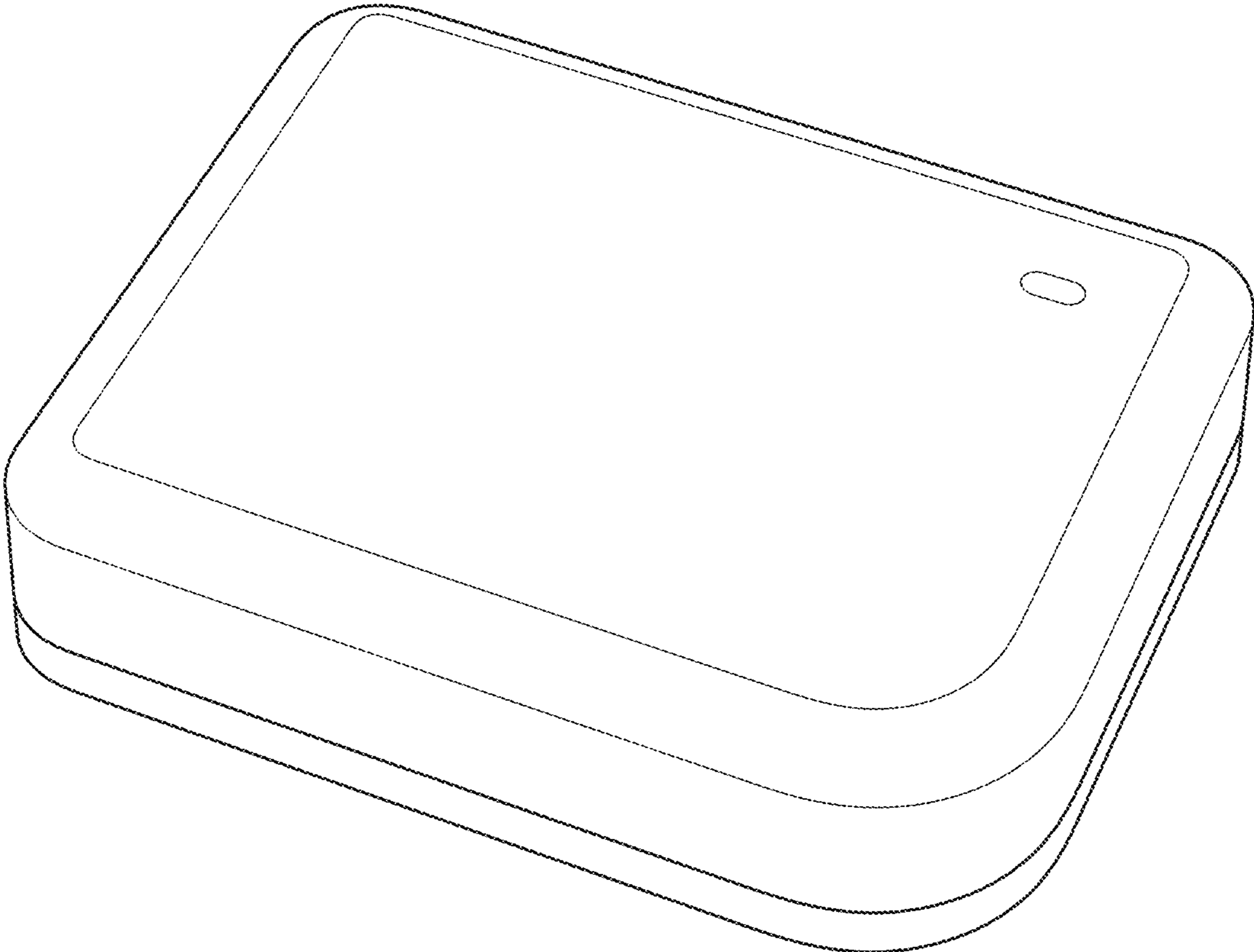


FIG. 1

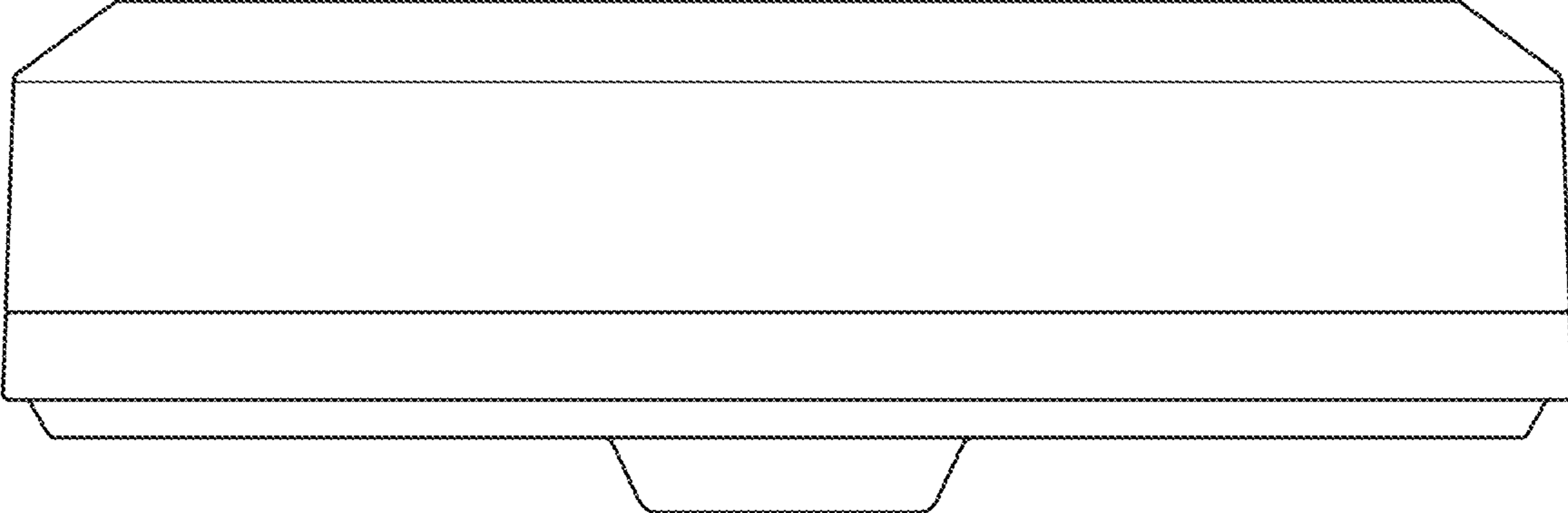


FIG. 2

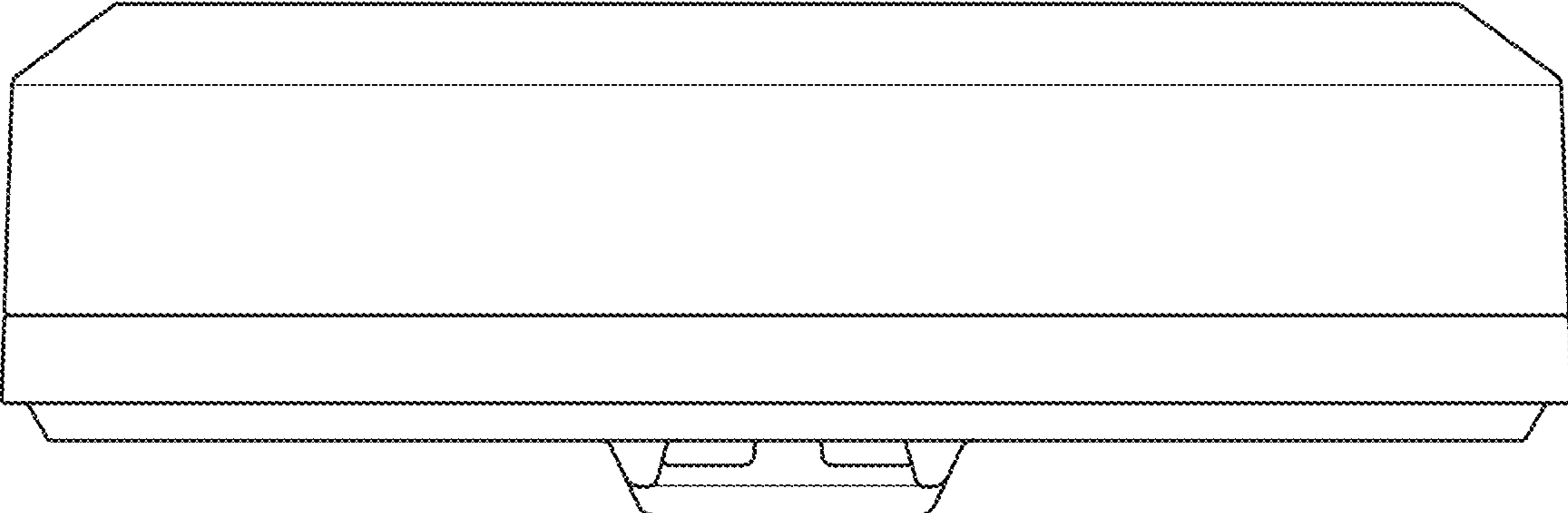


FIG. 3

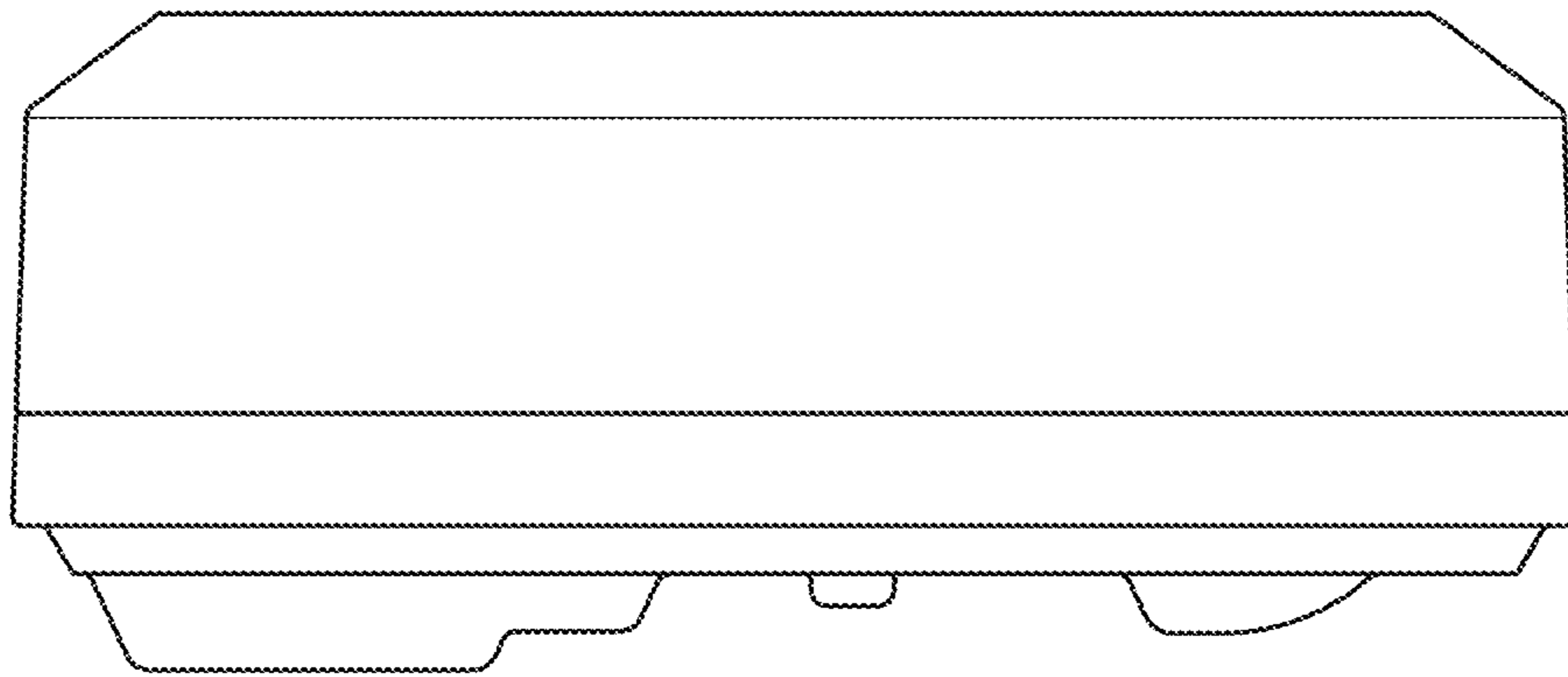


FIG. 4

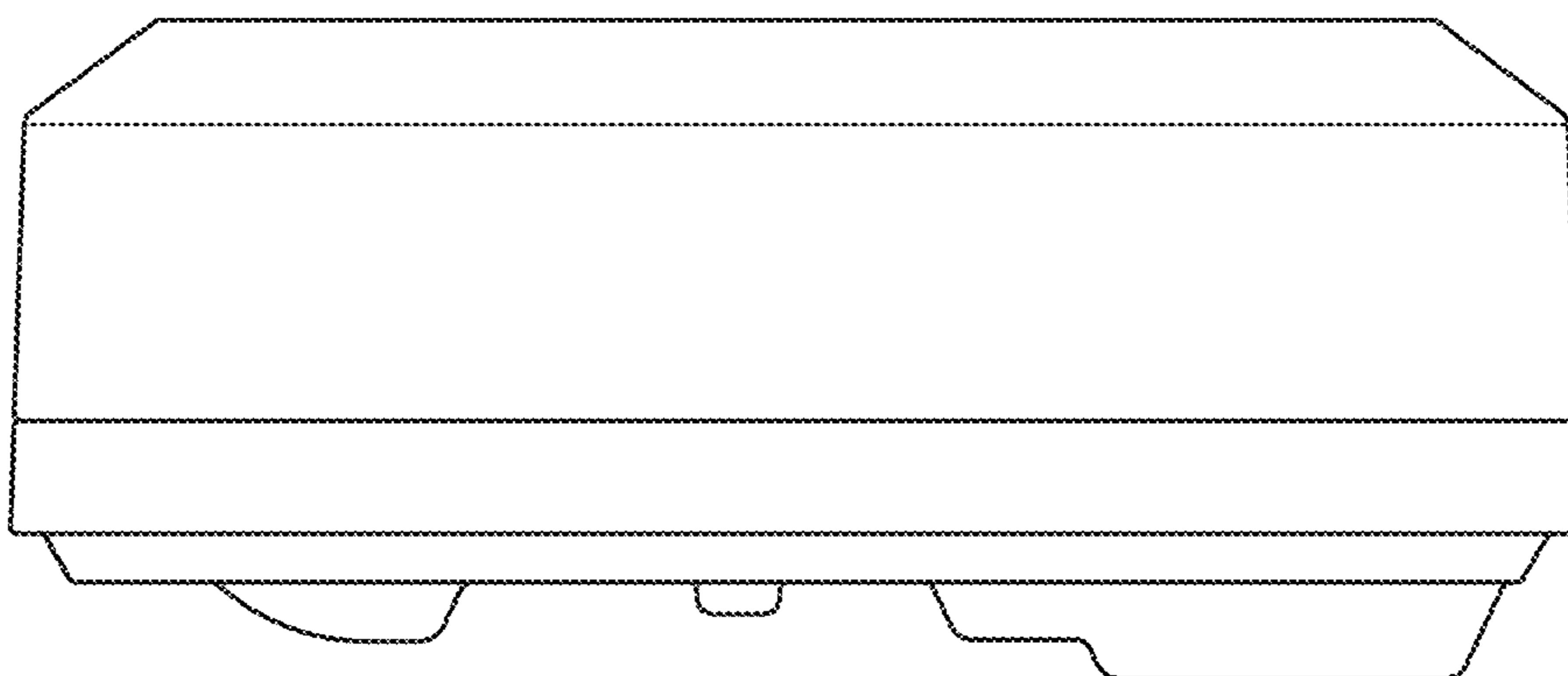


FIG. 5

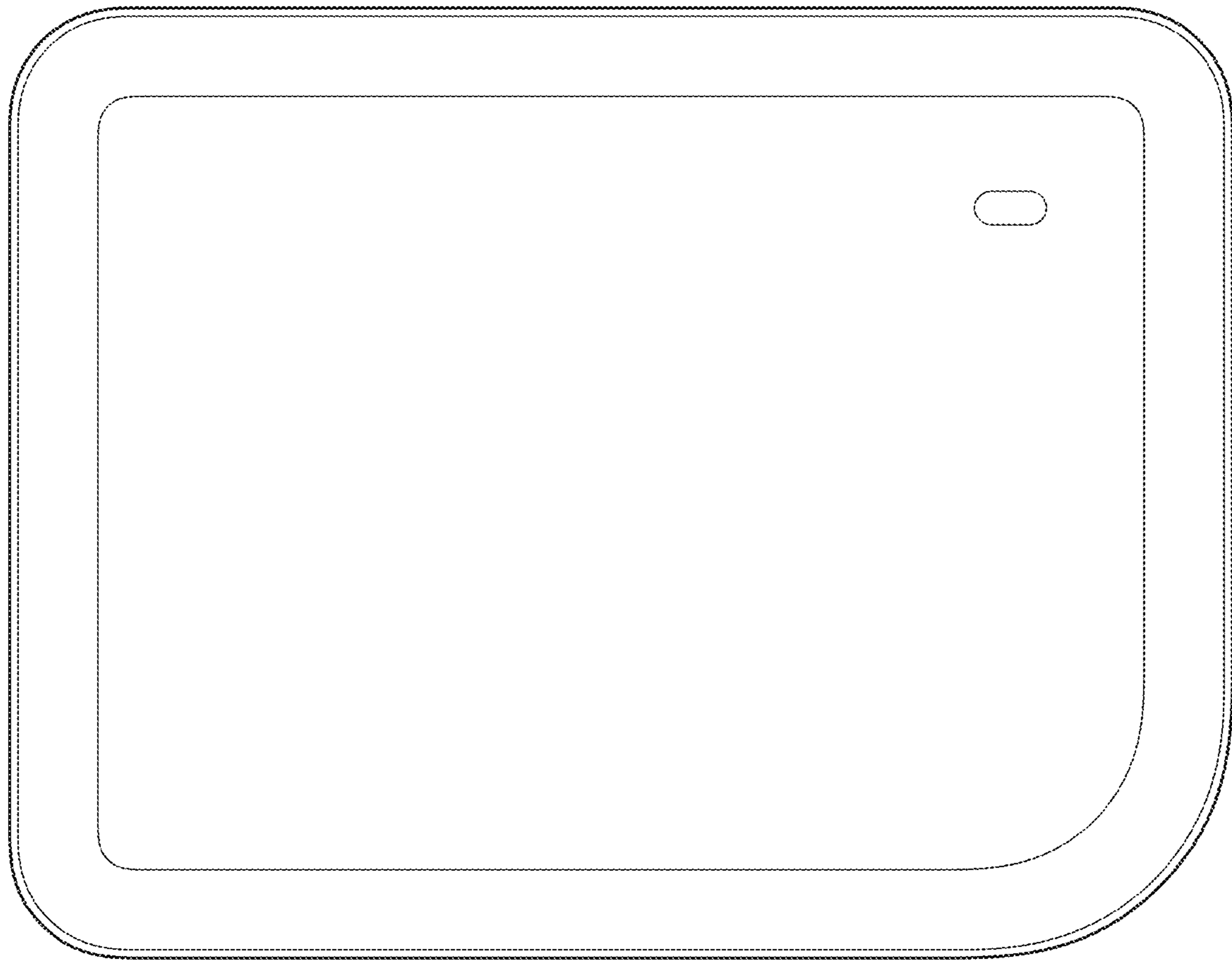


FIG. 6

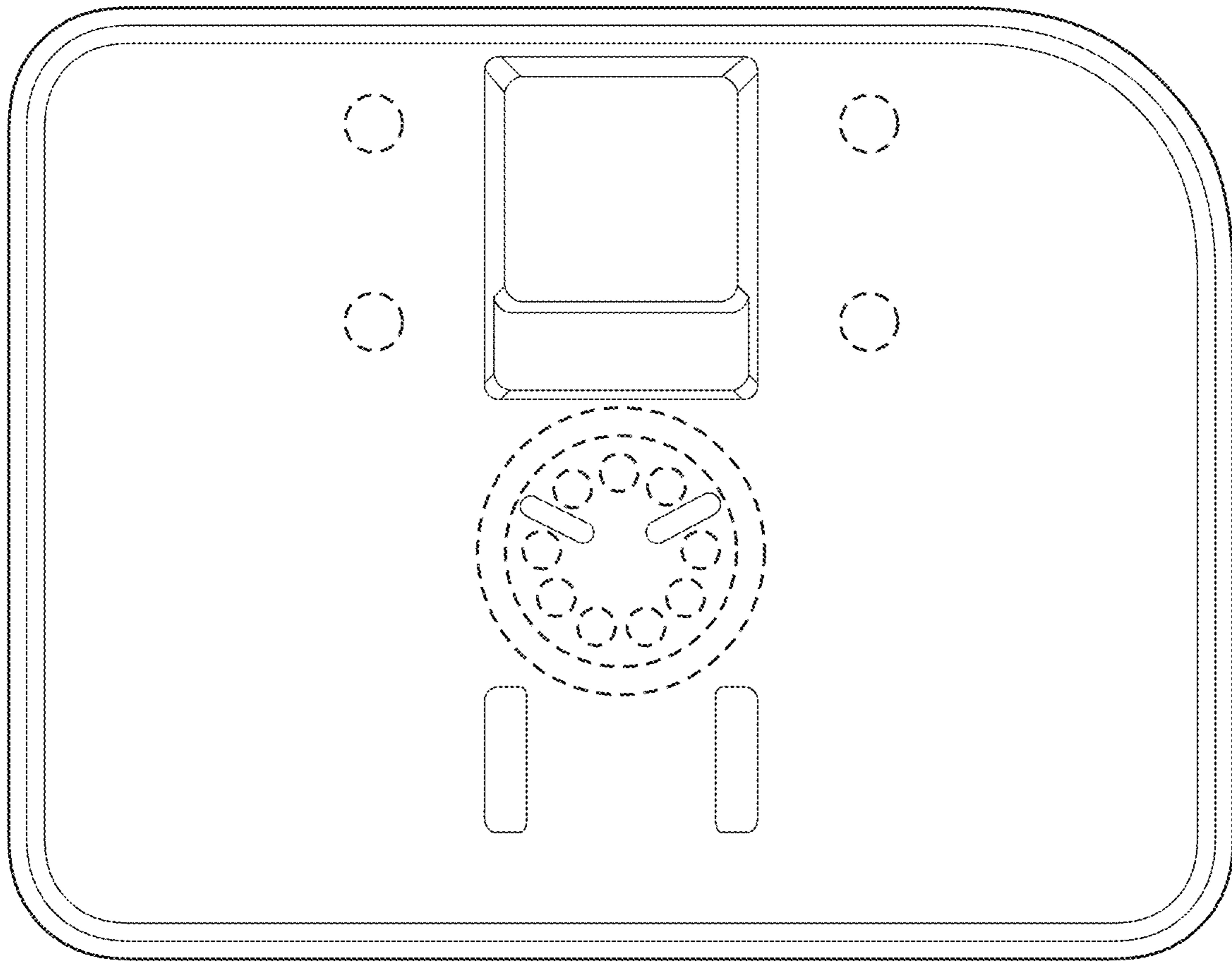


FIG. 7