



US00D910185S

(12) **United States Design Patent**
Pauser et al.

(10) **Patent No.:** **US D910,185 S**
(45) **Date of Patent:** **** Feb. 9, 2021**

(54) **DENTAL INSTRUMENT**
(71) Applicant: **3M INNOVATIVE PROPERTIES COMPANY**, St. Paul, MN (US)
(72) Inventors: **Helmut Pauser**, Diessen (DE); **Marc Peuker**, Schoendorf (DE); **Martin Preininger**, Bavaria (DE); **Moritz Werny**, Munich (DE); **Philipp Refior**, Munich (DE); **Wolfgang Weinmann**, Weilheim (DE)
(73) Assignee: **3M Innovative Properties Company**, St. Paul, MN (US)

5,489,207 A * 2/1996 Dragan A61C 5/62
433/90
5,743,436 A * 4/1998 Wilcox A61C 9/0026
222/137
6,062,857 A * 5/2000 Oppawsky B05C 17/01
222/137
6,116,902 A 9/2000 Schödel
D449,693 S * 10/2001 Shibuya D24/112
6,296,484 B1 10/2001 Nihei
6,312,254 B1 11/2001 Friedman
6,652,494 B1 * 11/2003 Dragan A61C 5/62
604/235
6,790,037 B1 9/2004 Orecchia
(Continued)

(**) Term: **15 Years**

(21) Appl. No.: **29/695,293**

(22) Filed: **Jun. 18, 2019**

(30) **Foreign Application Priority Data**

Dec. 19, 2018 (EM) 005930526

(51) **LOC (13) Cl.** **24-02**

(52) **U.S. Cl.**
USPC **D24/176**

(58) **Field of Classification Search**
USPC D24/176-178, 112-113
CPC A61C 5/62; A61C 5/66; A61C 5/50; A61C
9/0026; B05C 17/01; B05C 17/00596;
B05C 17/0123
See application file for complete search history.

(56) **References Cited**

U.S. PATENT DOCUMENTS

5,125,836 A * 6/1992 Dragan A61C 5/62
433/90
5,306,147 A * 4/1994 Dragan A61C 5/62
433/90
D357,536 S * 4/1995 Dragan D24/176

FOREIGN PATENT DOCUMENTS

CA 2169595 11/1996
JP 2005211290 8/2005

Primary Examiner — Wan Laymon

(57) **CLAIM**

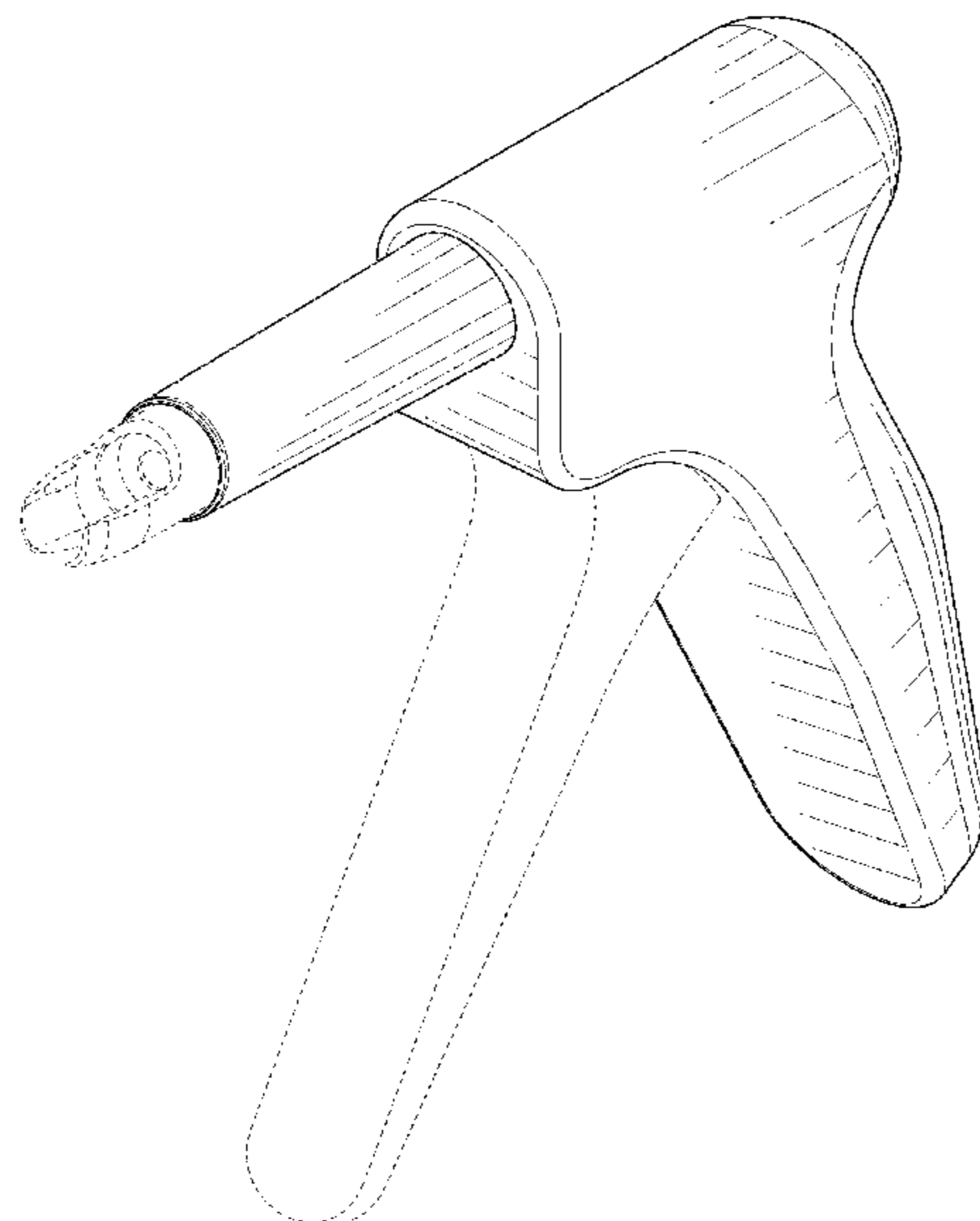
The ornamental design for a dental instrument, as shown and described.

DESCRIPTION

FIG. 1 is a perspective view of a dental instrument showing the new design;
FIG. 2 is a front view thereof;
FIG. 3 is a rear view thereof;
FIG. 4 is a left-side view thereof;
FIG. 5 is a right-side view thereof;
FIG. 6 is a top view thereof; and,
FIG. 7 is a bottom plan view thereof.

The broken line shown in the figures is for the purpose of illustrating portions of the dental instrument and forms no part of the claimed design. In addition, the surface shading illustrated in the drawings is provided merely to highlight the contour of design; it is not intended to be illustrative of texture or gloss.

1 Claim, 5 Drawing Sheets



(56)

References Cited

U.S. PATENT DOCUMENTS

6,929,157 B2 *	8/2005	Orecchia	A61C 5/62 222/326
8,403,664 B2	3/2013	Jung	
2004/0164097 A1	8/2004	Orecchia	
2017/0049533 A1	2/2017	Lee	

* cited by examiner

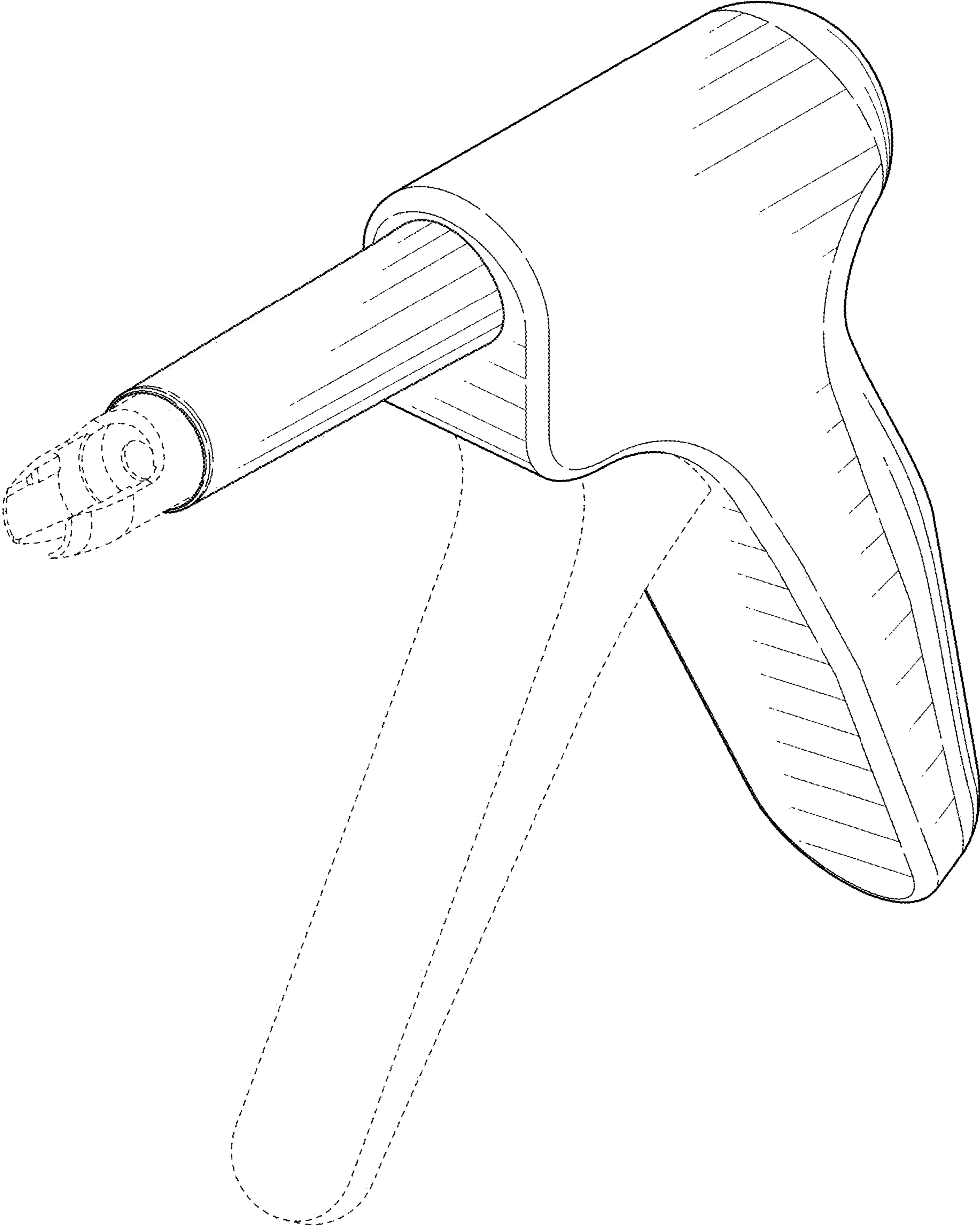


FIG. 1

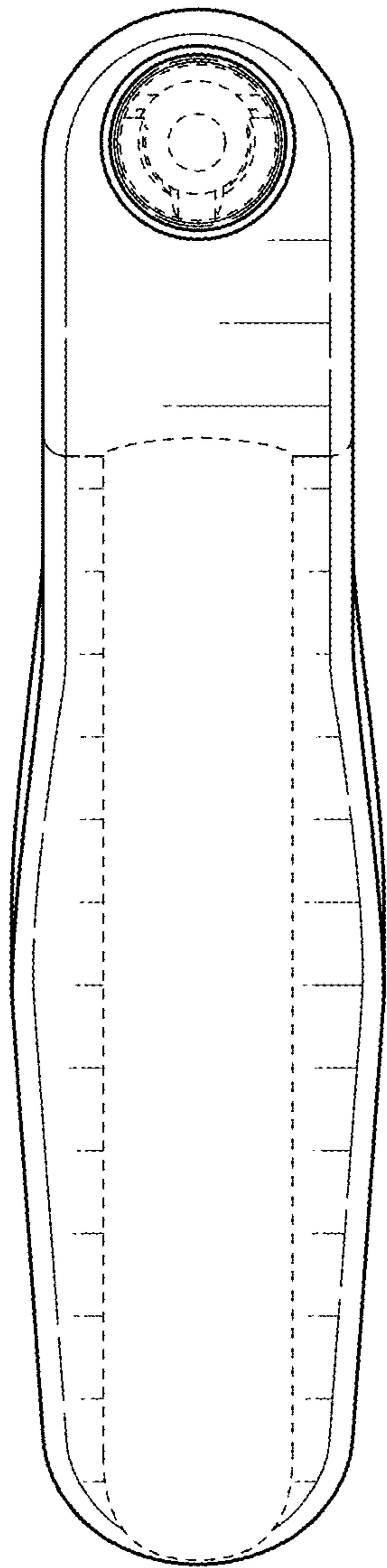


FIG. 2

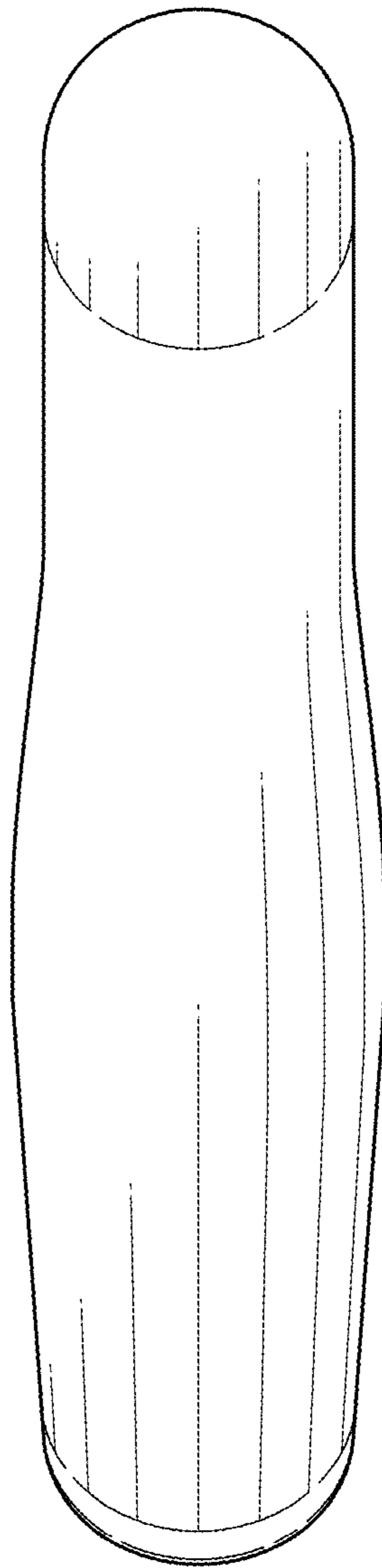


FIG. 3

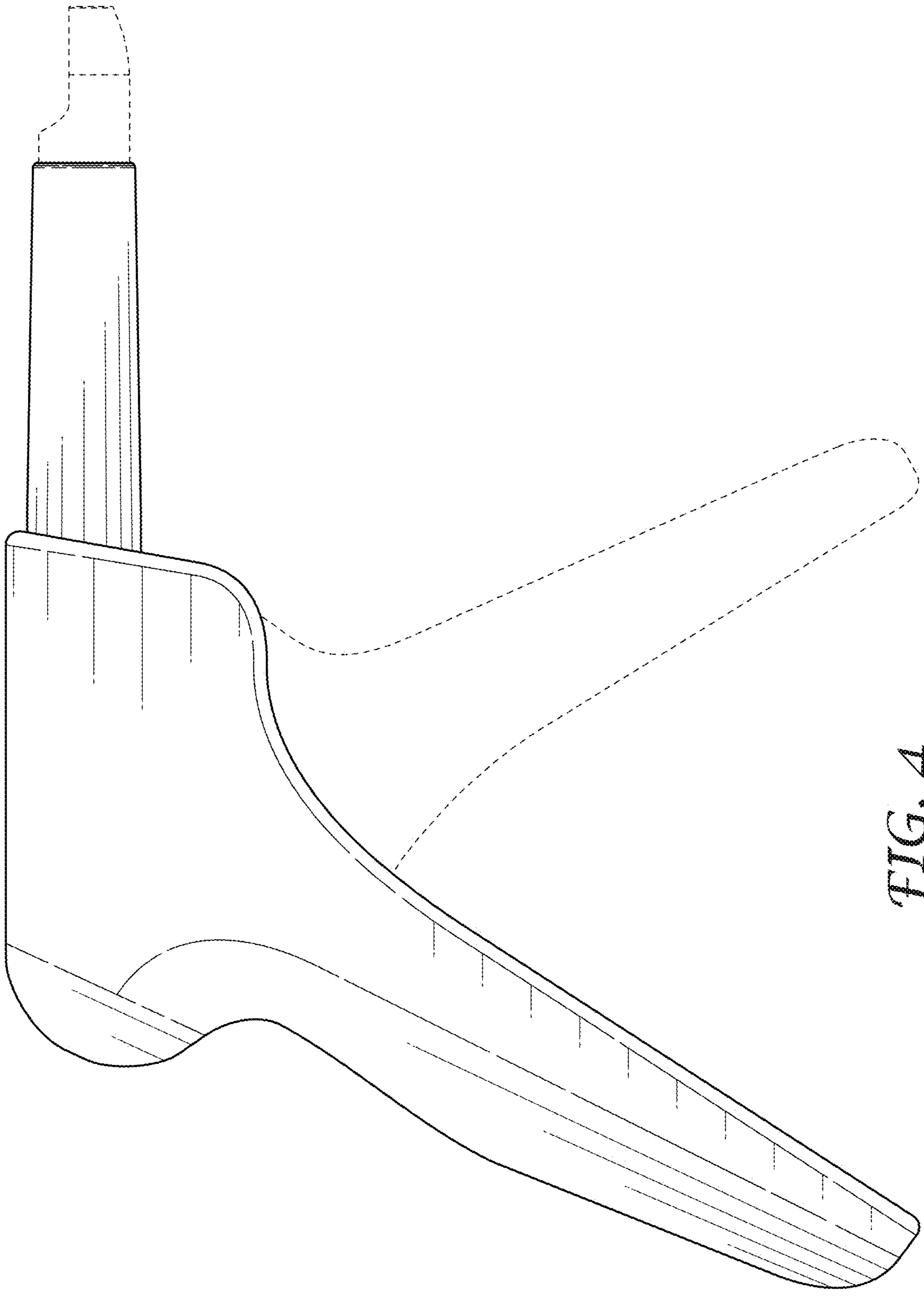


FIG. 4

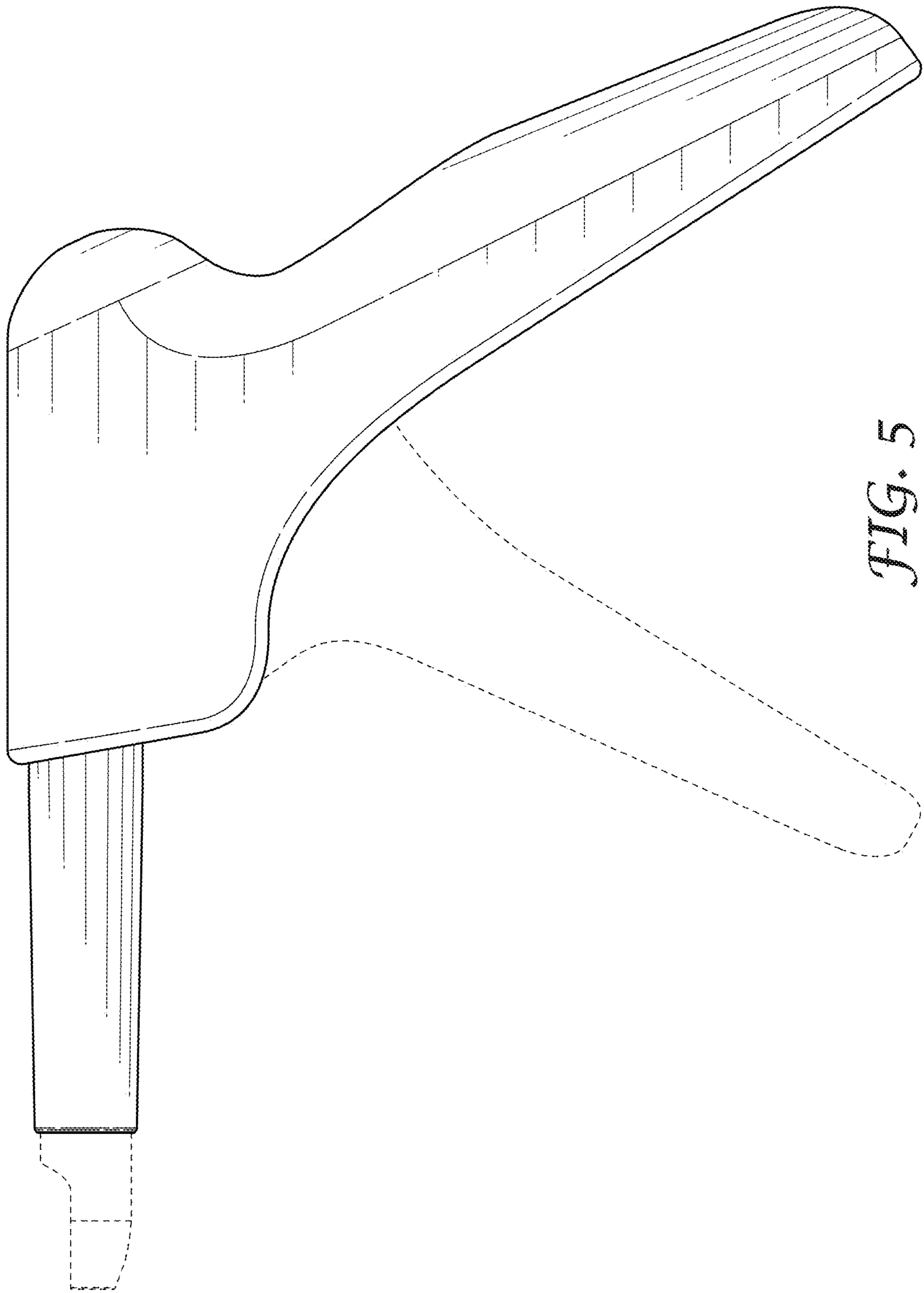


FIG. 5

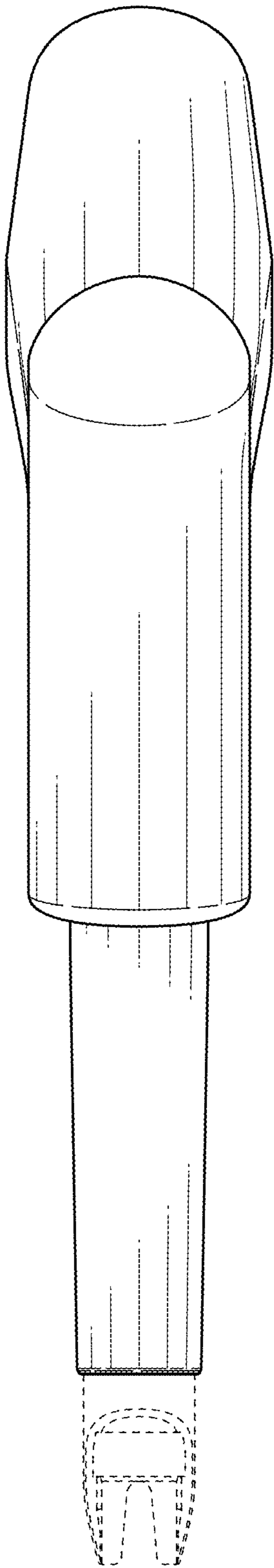


FIG. 6

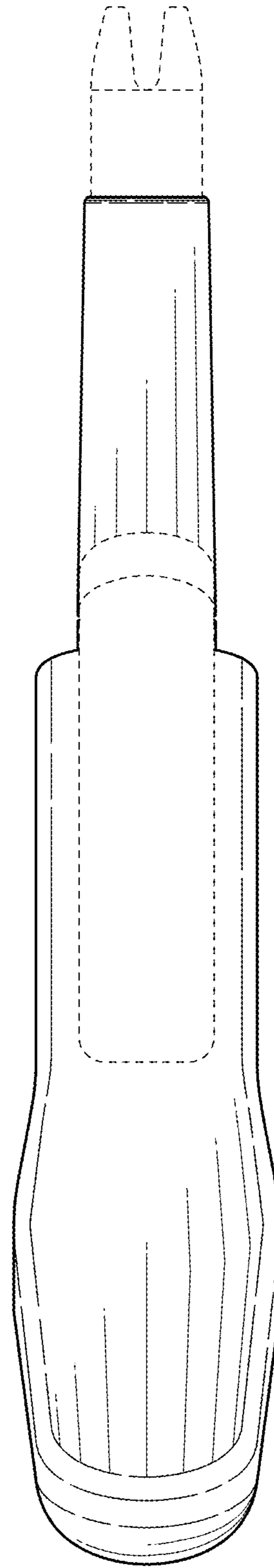


FIG. 7