



US00D910184S

(12) **United States Design Patent** (10) **Patent No.:** **US D910,184 S**
Orome (45) **Date of Patent:** **** Feb. 9, 2021**

- (54) **VASCULAR ACCESS PORT STEM**
- (71) Applicant: **C. R. Bard, Inc.**, Franklin Lakes, NJ (US)
- (72) Inventor: **Amir Orome**, Sandy, UT (US)
- (73) Assignee: **C. R. Bard, Inc.**, Franklin Lakes, NJ (US)
- (**) Term: **15 Years**
- (21) Appl. No.: **29/737,364**
- (22) Filed: **Jun. 8, 2020**

4,772,270 A 9/1988 Wiita et al.
 4,929,236 A 5/1990 Sampson
 5,041,098 A 8/1991 Loiterman et al.
 (Continued)

OTHER PUBLICATIONS

U.S. Appl. No. 29/572,290, filed Jul. 26, 2016 Notice of Allowance dated Dec. 18, 2017.

(Continued)

Primary Examiner — Lilyana Bekic
Assistant Examiner — Mary Shannon Malley
 (74) *Attorney, Agent, or Firm* — Rutan & Tucker LLP

(57) **CLAIM**

The ornamental design for a vascular access port stem, as shown and described.

DESCRIPTION

FIG. 1 is a front perspective view of a vascular access port stem;
 FIG. 2 is a rear perspective view of the vascular access port stem illustrated in FIG. 1;
 FIG. 3 is a first side view of the vascular access port stem illustrated in FIG. 1;
 FIG. 4 is a second side view of the vascular access port stem illustrated in FIG. 1;
 FIG. 5 is a top view of the vascular access port stem illustrated in FIG. 1;
 FIG. 6 is a bottom view of the vascular access port stem illustrated in FIG. 1;
 FIG. 7 is a front view of the vascular access port stem illustrated in FIG. 1; and,
 FIG. 8 is a rear view of the vascular access port stem illustrated in FIG. 1.
 The broken lines immediately adjacent the shaded areas represent the bounds of the claimed design while all other broken lines are directed to environment; the broken lines form no part of the claimed design.

Related U.S. Application Data

- (62) Division of application No. 29/643,902, filed on Apr. 12, 2018, which is a division of application No. 29/572,290, filed on Jul. 26, 2016, now Pat. No. Des. 816,228.

(51) **LOC (13) Cl.** **24-01**

(52) **U.S. Cl.**
USPC **D24/169**

(58) **Field of Classification Search**
 USPC D24/107, 108, 111, 169, 185, 186, 223, D24/231, 232, 110, 127, 129, 130
 CPC A61M 1/16; A61M 1/1601; A61M 1/1621; A61M 1/1654; A61M 1/36; A61M 1/3693; A61M 1/3696; A61M 2209/084; A61M 2205/502; A61M 2205/505; A61M 39/0208; A16B 50/10; A16B 50/13; A16B 50/15; G01G 19/44; G01G 19/4146; A61B 5/0537

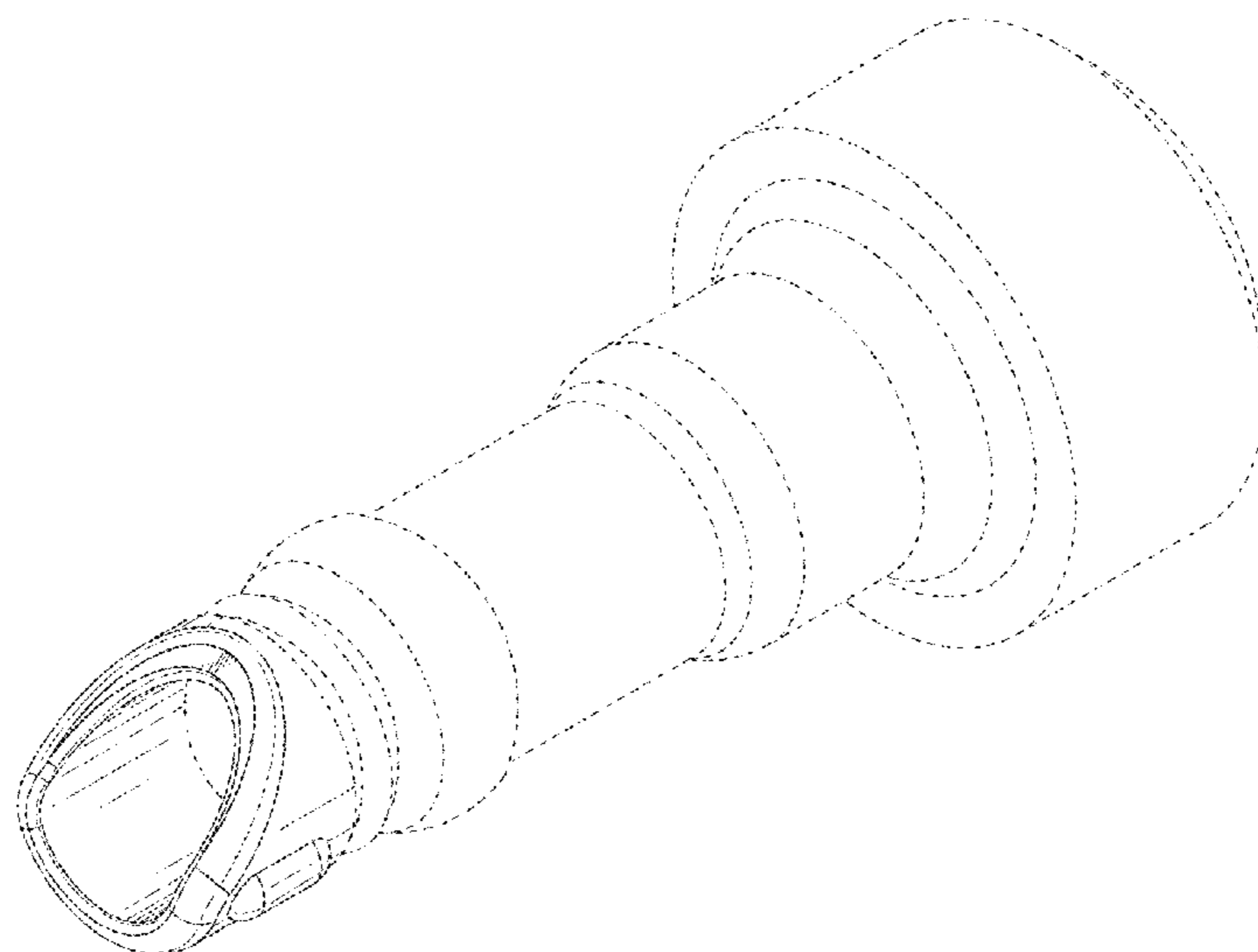
See application file for complete search history.

(56) **References Cited**

U.S. PATENT DOCUMENTS

- 4,187,848 A 2/1980 Taylor
- 4,567,882 A 2/1986 Heller
- 4,723,948 A 2/1988 Clark et al.

1 Claim, 4 Drawing Sheets



(56)

References Cited

U.S. PATENT DOCUMENTS

D385,628 S 10/1997 Echevarria
 5,849,186 A 12/1998 Raneri et al.
 6,039,712 A 3/2000 Fogarty et al.
 6,221,064 B1 4/2001 Nadal
 D452,004 S * 12/2001 Baker D24/135
 6,352,521 B1 3/2002 Prosl
 6,398,764 B1 6/2002 Finch, Jr. et al.
 6,478,783 B1 11/2002 Moorehead
 D473,646 S 4/2003 Baillargeon et al.
 6,620,124 B1 9/2003 Peavey
 7,172,574 B2 2/2007 Lundgren et al.
 D541,936 S 5/2007 Patterson
 D559,980 S 1/2008 Rehbein et al.
 D570,479 S 6/2008 Rehbein et al.
 7,387,624 B2 6/2008 Nelson
 7,632,263 B2 12/2009 Denoth et al.
 7,819,840 B2 10/2010 Bumside et al.
 7,846,139 B2 12/2010 Zinn et al.
 D635,664 S 4/2011 Beck
 7,947,022 B2 5/2011 Amin et al.
 8,057,430 B2 11/2011 Grovender et al.
 D663,027 S 7/2012 Halder
 D671,209 S 11/2012 Row et al.
 D671,221 S 11/2012 Donaldson
 8,357,119 B2 1/2013 Stout et al.
 8,696,647 B2 4/2014 Bizup et al.
 8,738,151 B2 5/2014 Nelson
 D709,188 S 7/2014 Guala
 8,790,586 B2 7/2014 O'Connell et al.
 D715,920 S 10/2014 Floyd
 8,905,962 B2 12/2014 Asano et al.
 8,936,582 B2 1/2015 Szweda et al.
 9,114,227 B2 8/2015 Blanchard
 D739,527 S 9/2015 Chauvette
 9,149,621 B2 10/2015 Bizup
 9,186,455 B2 11/2015 Moyer
 9,186,491 B2 11/2015 Casiello et al.

9,227,047 B2 1/2016 Khalaj
 D757,929 S 5/2016 Kerber et al.
 D773,660 S 12/2016 Shiozaki et al.
 D782,026 S 3/2017 Bresco Torras et al.
 D784,556 S 4/2017 Alden
 D790,697 S 6/2017 Bresco Torras et al.
 D791,317 S 7/2017 Bresco Torras et al.
 9,700,224 B2 7/2017 Ofek et al.
 9,750,910 B2 9/2017 Chaturvedi et al.
 D816,228 S 4/2018 Evans et al.
 D825,746 S 8/2018 Davis et al.
 D865,954 S 11/2019 Mottola et al.
 D877,900 S 3/2020 Marici et al.
 10,582,997 B2 3/2020 Edwin et al.
 2006/0058740 A1 * 3/2006 Cise A61M 39/281
 604/247
 2007/0073250 A1 3/2007 Schneider
 2007/0270770 A1 11/2007 Bizup
 2008/0319398 A1 12/2008 Bizup
 2009/0221960 A1 9/2009 Albrecht et al.
 2010/0022951 A1 * 1/2010 Ferrera A61M 39/0613
 604/103
 2012/0041426 A1 2/2012 Bizup
 2012/0065625 A1 3/2012 Nelson
 2012/0116315 A1 5/2012 Klepac
 2013/0023729 A1 1/2013 Vazales et al.
 2015/0283371 A1 10/2015 Raman
 2016/0367439 A1 * 12/2016 Davis A61J 1/2089
 2019/0232035 A1 8/2019 Fedor et al.

OTHER PUBLICATIONS

U.S. Appl. No. 29/572,290, filed Jul. 26, 2016 Restriction Requirement dated Sep. 12, 2017.
 U.S. Appl. No. 29/643,902, filed Apr. 12, 2018 Ex Parte Quayle Action dated Jun. 9, 2020.
 U.S. Appl. No. 29/643,902, filed Apr. 12, 2018 Restriction Requirement dated Mar. 19, 2020.

* cited by examiner

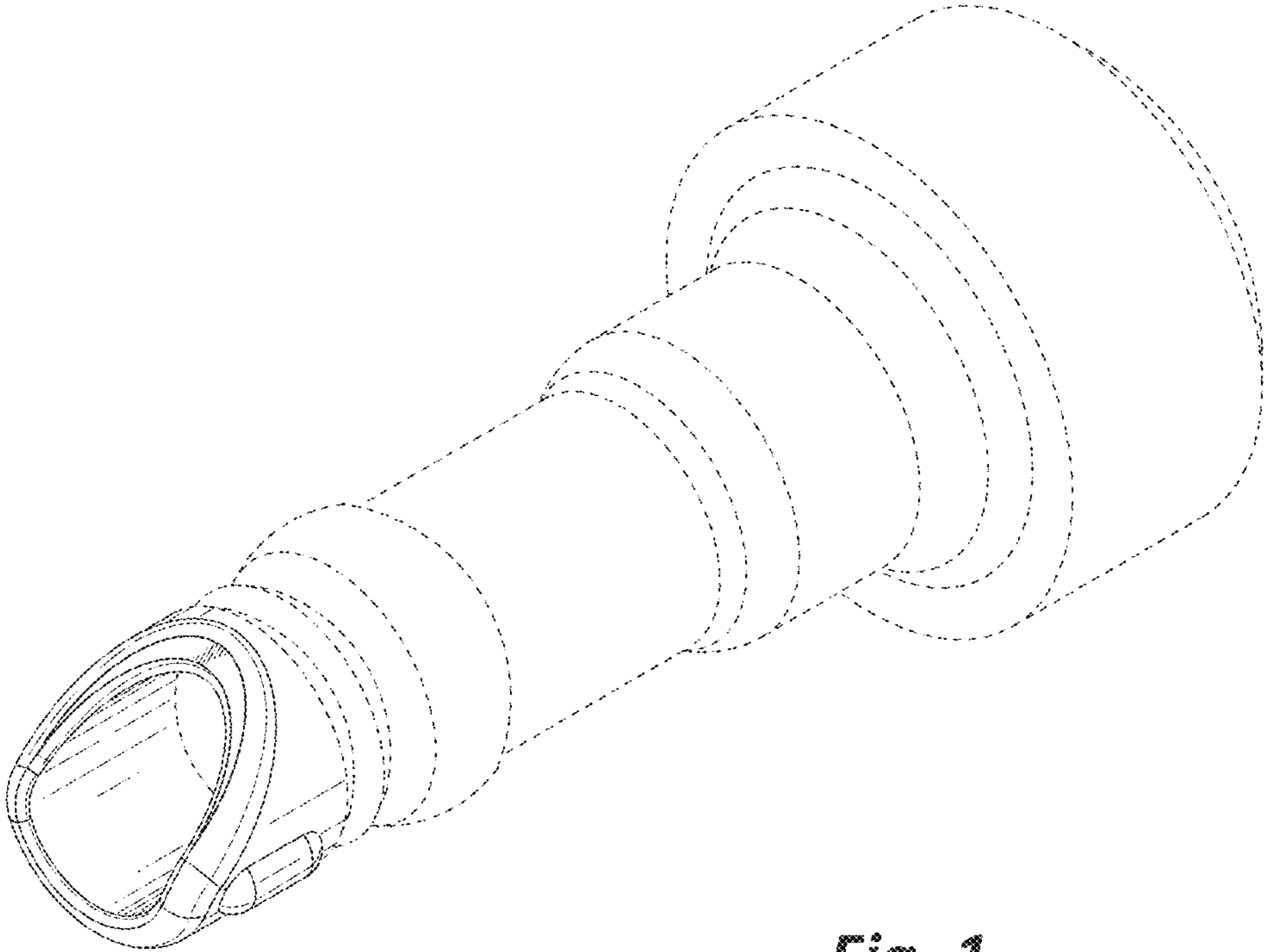


Fig. 1

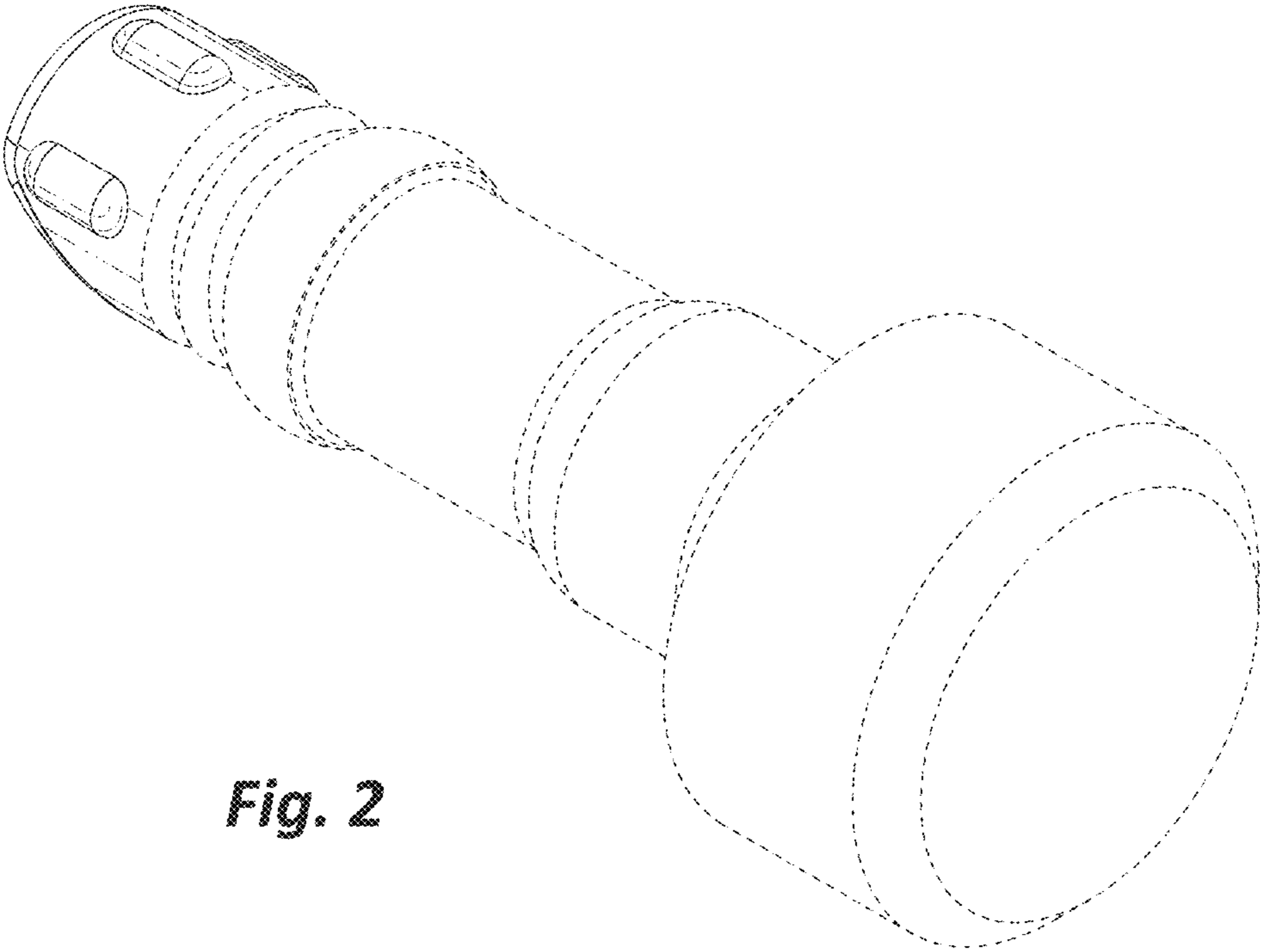


Fig. 2

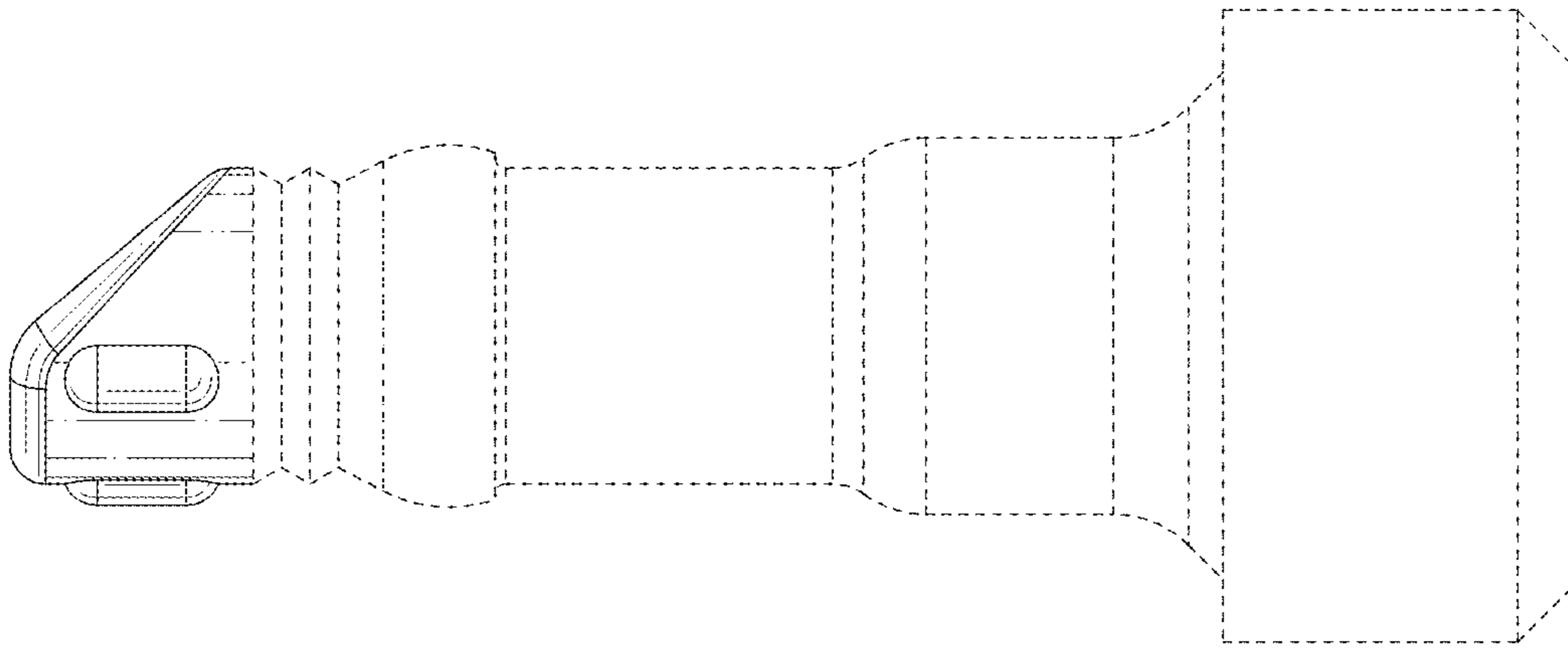


Fig. 3

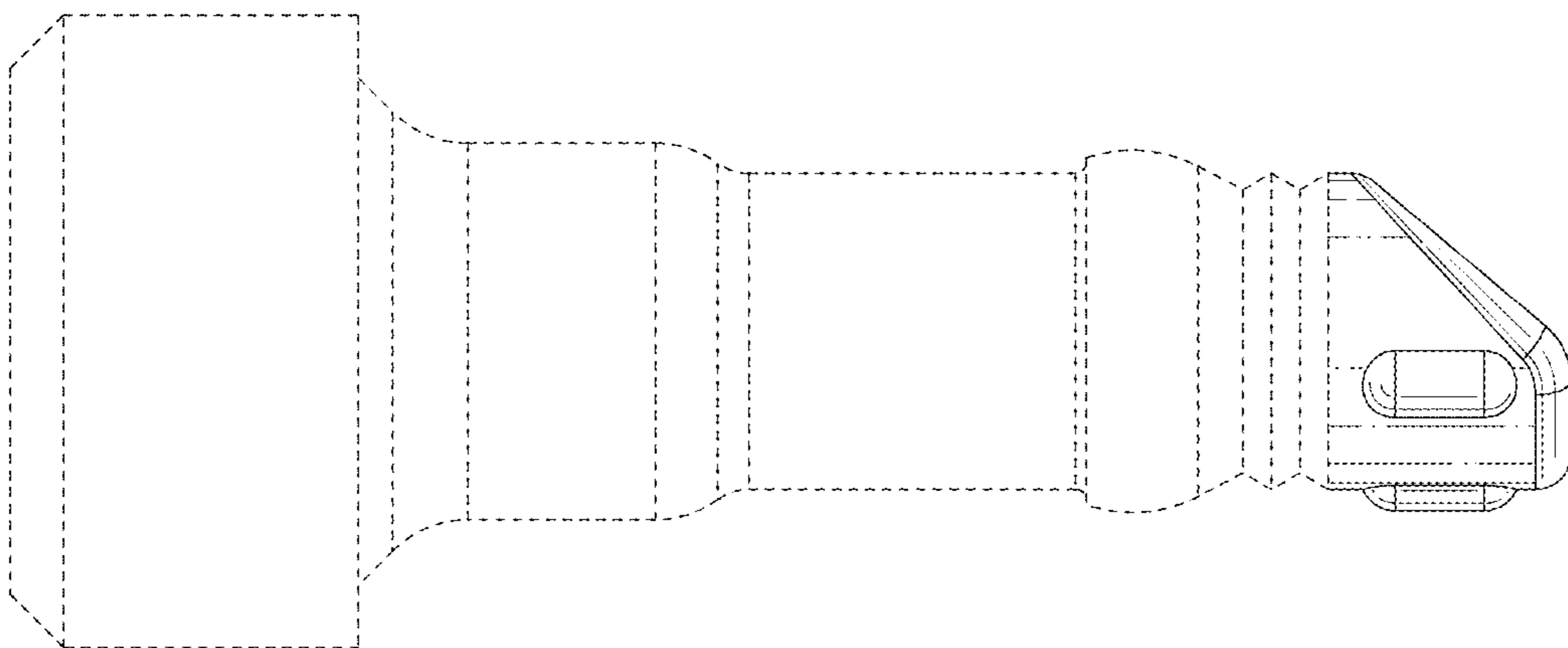


Fig. 4

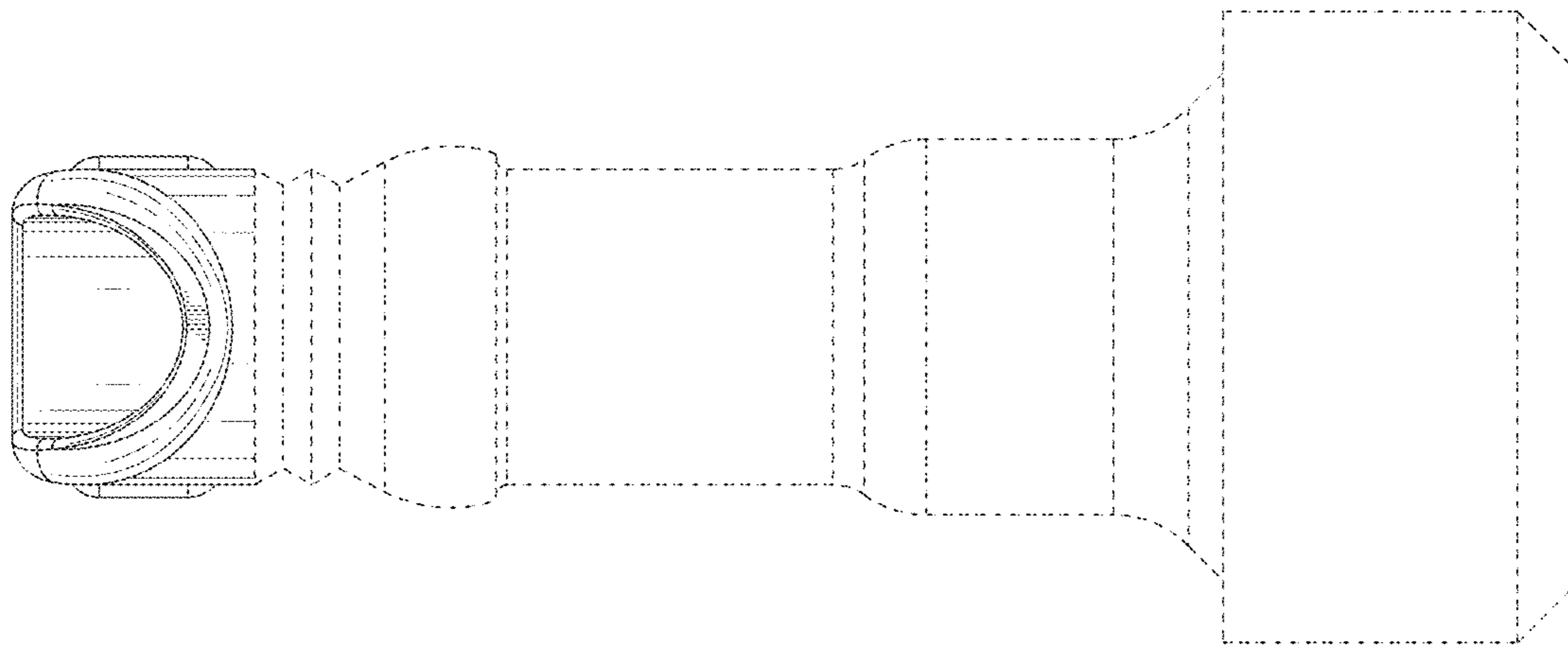


Fig. 5

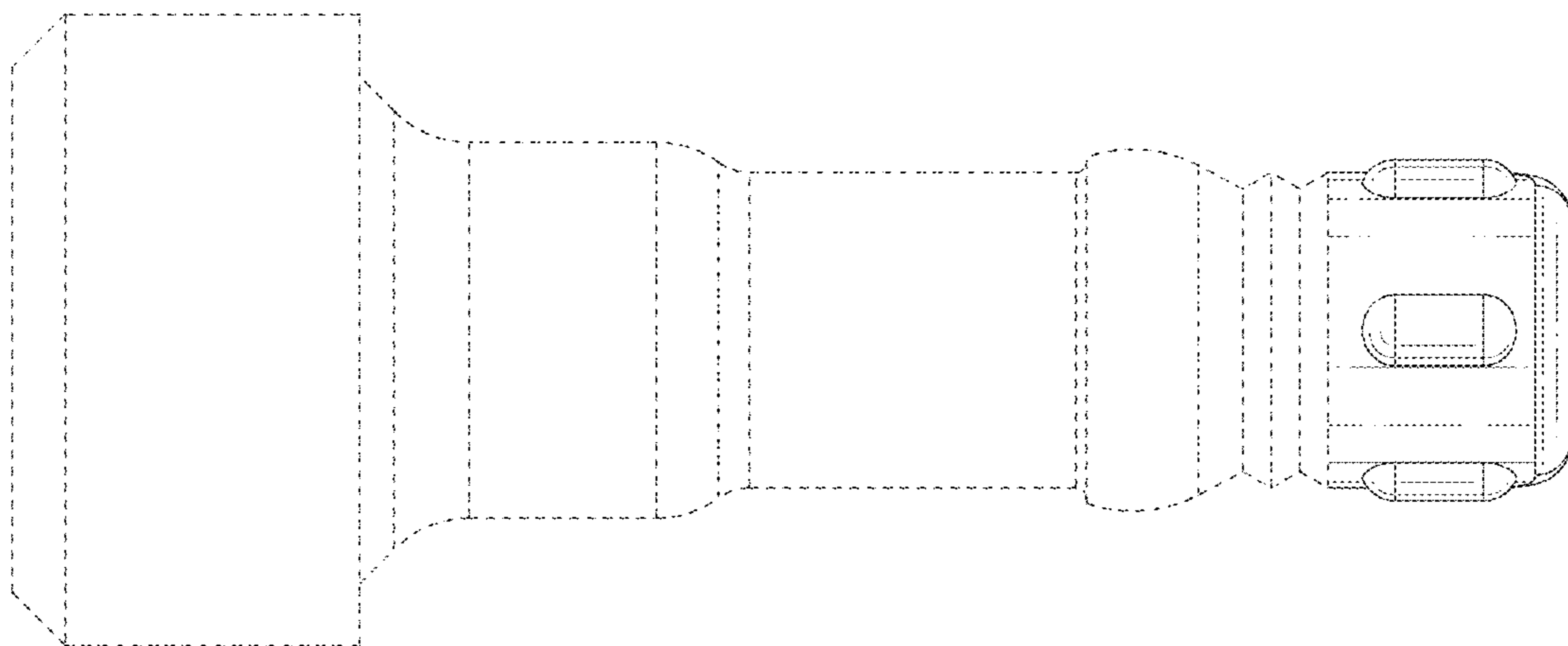


Fig. 6

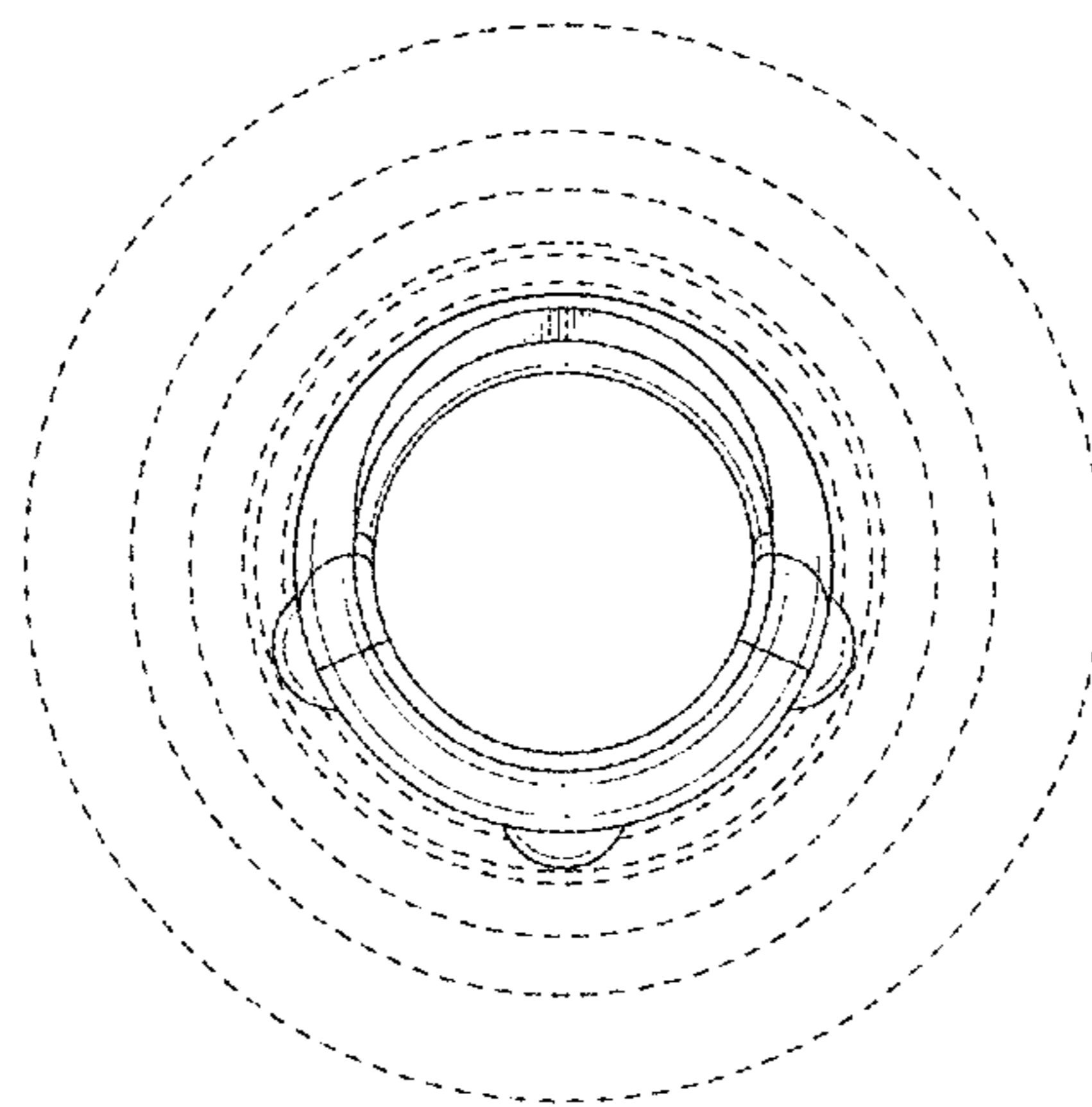


Fig. 7

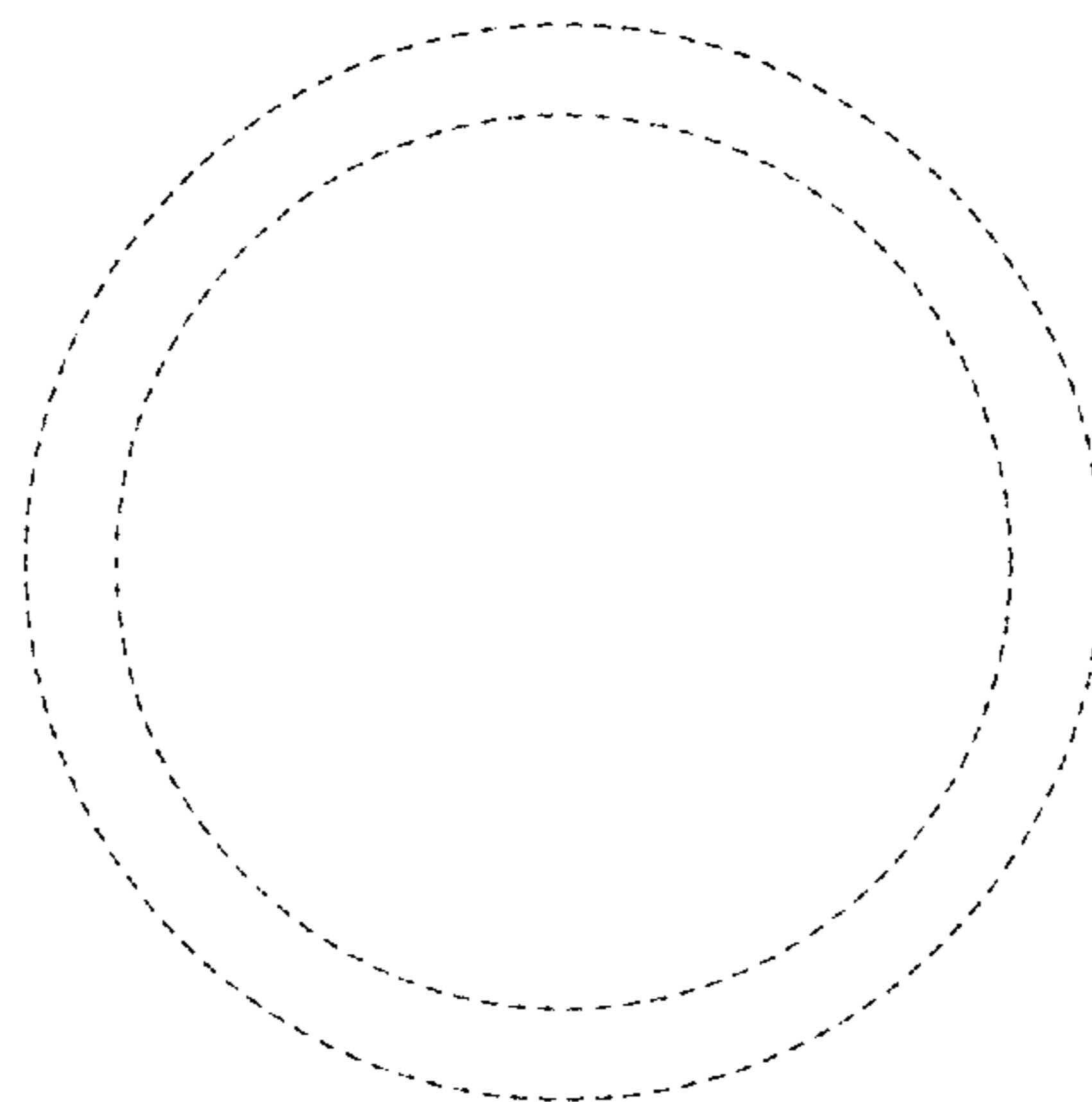


Fig. 8