



US00D910183S

(12) **United States Design Patent**
Ritter et al.

(10) **Patent No.:** **US D910,183 S**

(45) **Date of Patent:** **** Feb. 9, 2021**

(54) **MOBILE IMAGING SYSTEM**

(71) Applicant: **Siemens Healthcare GmbH**, Erlangen (DE)

(72) Inventors: **Juliane Ritter**, Erlangen (DE); **Gerben ten Cate**, Forchheim (DE); **Markus Mutterer**, Fuerth (DE)

(73) Assignee: **Siemens Healthcare GmbH**, Erlangen (DE)

(**) Term: **15 Years**

(21) Appl. No.: **29/687,248**

(22) Filed: **Apr. 11, 2019**

(30) **Foreign Application Priority Data**

Oct. 11, 2018 (EM) 005796398

(51) **LOC (13) Cl.** **24-01**

(52) **U.S. Cl.**
USPC **D24/158**

(58) **Field of Classification Search**
USPC D24/107, 158–161, 185, 186, 187, 231
CPC .. A61B 5/05; A61B 5/055; A61B 6/03; A61B 6/035; A61B 6/4405; A61B 6/4411; A61B 6/4435; A61B 6/4441; A61B 6/4447
See application file for complete search history.

(56) **References Cited**

U.S. PATENT DOCUMENTS

D623,299 S * 9/2010 Dietz D24/158
D628,699 S * 12/2010 Dietz D24/159

D639,433 S * 6/2011 Dietz D24/158
D690,011 S * 9/2013 Yanase D24/158
D786,439 S * 5/2017 Kim D24/158
D796,043 S * 8/2017 Boehner D24/158
D806,877 S * 1/2018 Skeats D24/158
D835,280 S * 12/2018 Sugie D24/158
D860,458 S * 9/2019 Tanaka D24/158
2014/0233703 A1 * 8/2014 Omura A61B 6/4405
378/98

* cited by examiner

Primary Examiner — Anhdao Doan

(74) *Attorney, Agent, or Firm* — Schiff Hardin LLP

(57) **CLAIM**

The ornamental design for a mobile imaging system, as shown and described.

DESCRIPTION

FIG. 1 is a front view of a mobile imaging system showing our new design;
FIG. 2 is a back elevational view thereof;
FIG. 3 is a top plan view thereof;
FIG. 4 is a bottom plan view thereof;
FIG. 5 is a right side elevational view thereof;
FIG. 6 is a left side elevational view thereof; and,
FIG. 7 is a perspective view taken generally from the upper, front, right-hand side thereof.
In FIGS. 3-6, the broken lines represent portions of the mobile imaging system that form no part of the claimed design.

1 Claim, 7 Drawing Sheets

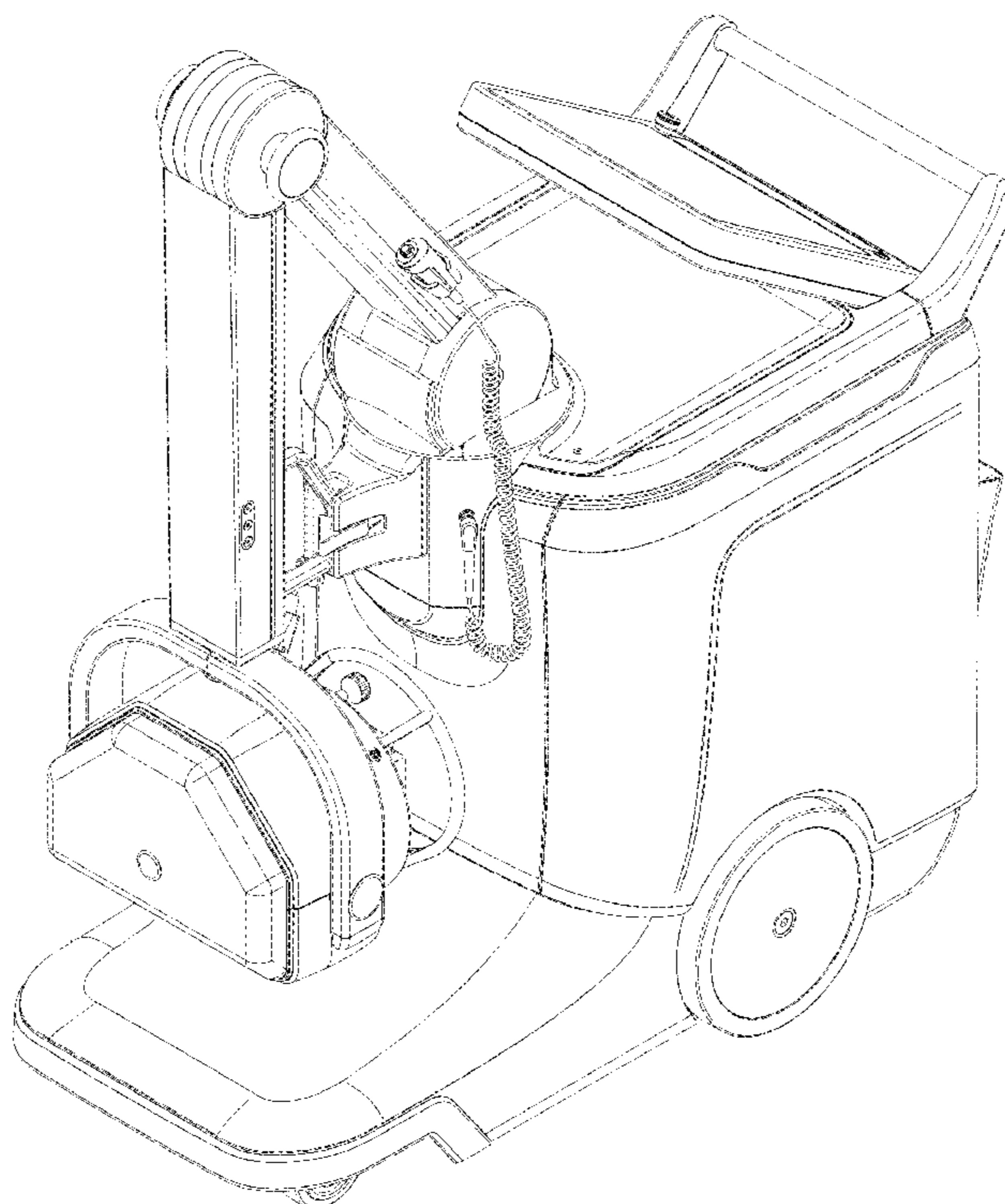


FIG. 1

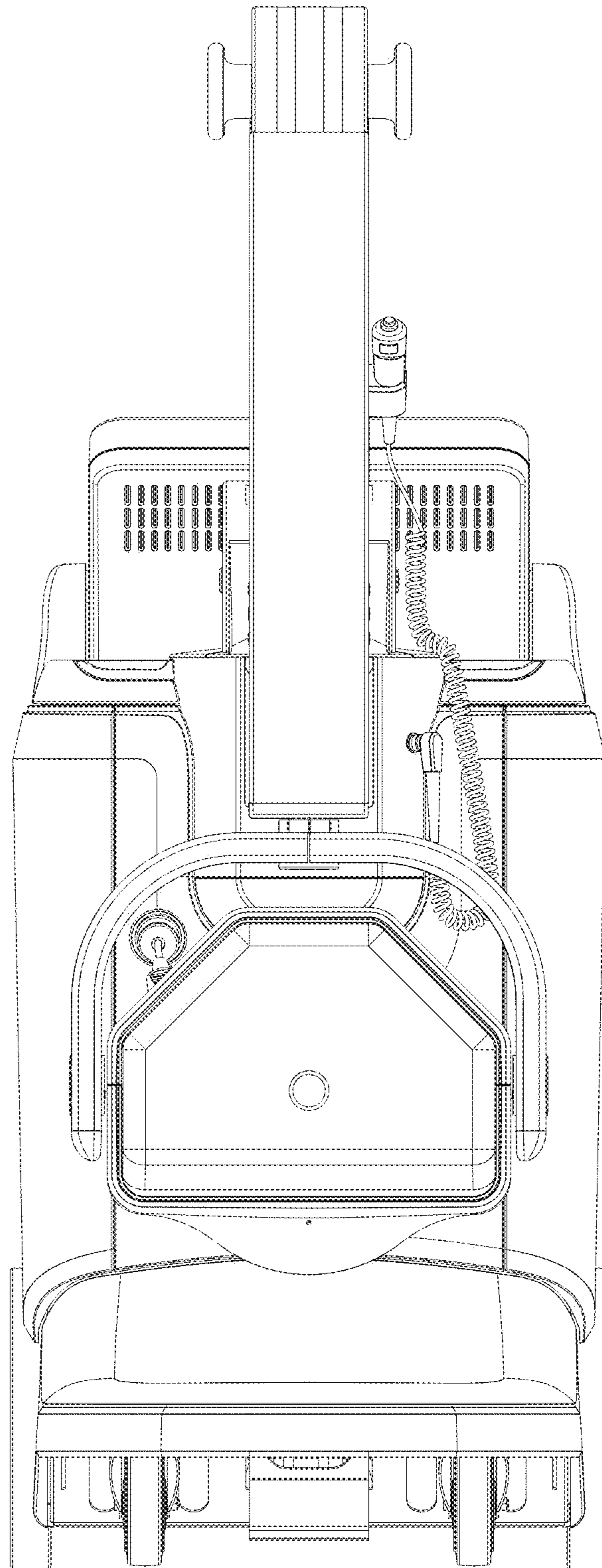


FIG. 2

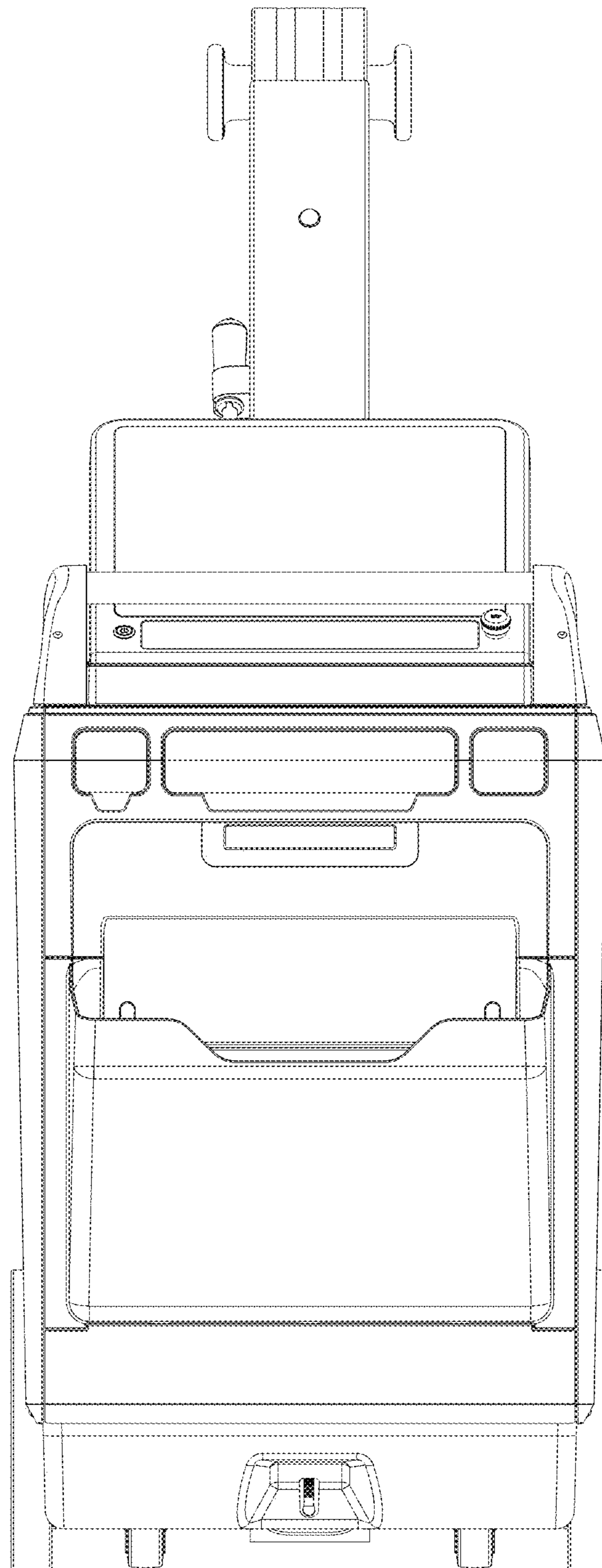


FIG. 3

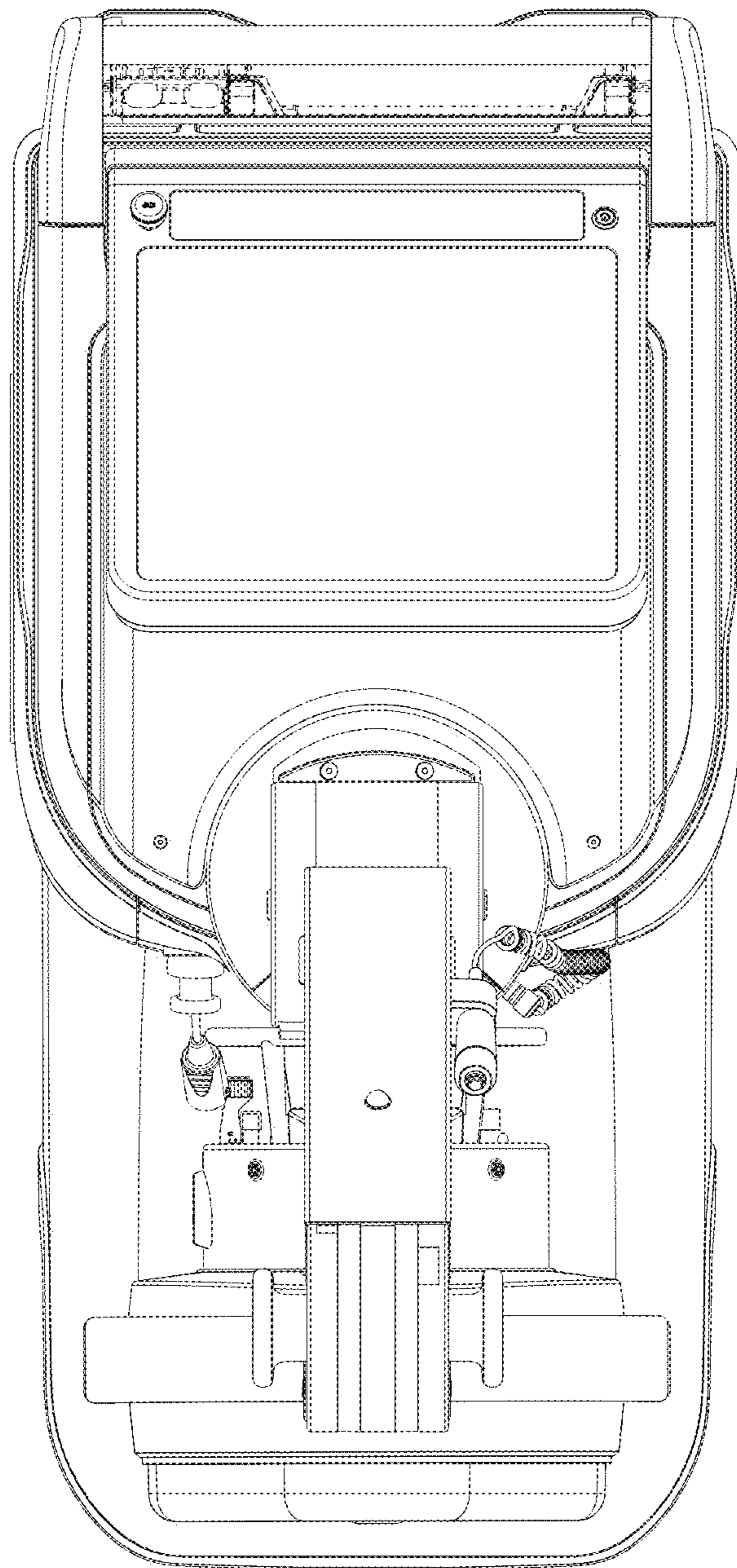


FIG. 4

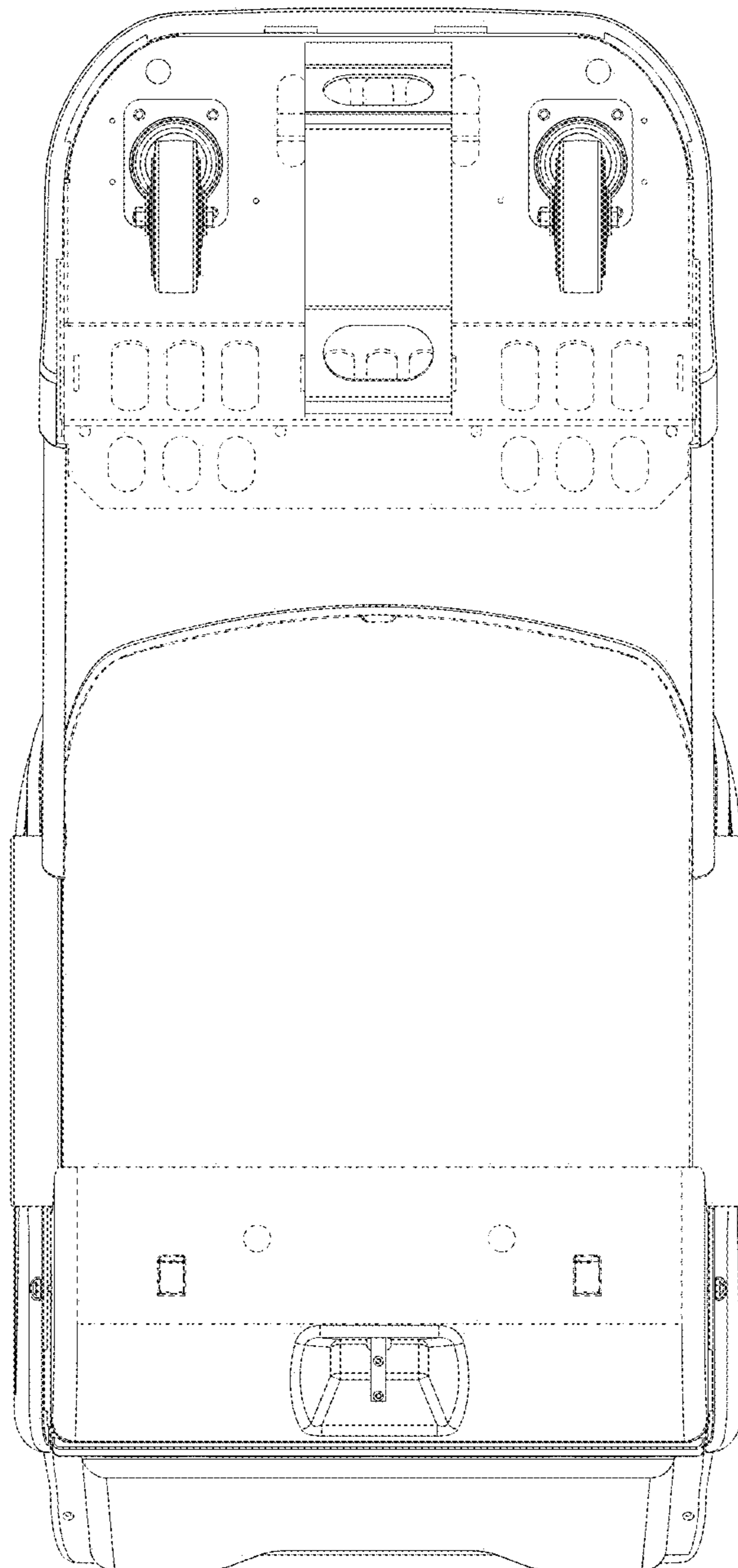


FIG. 5

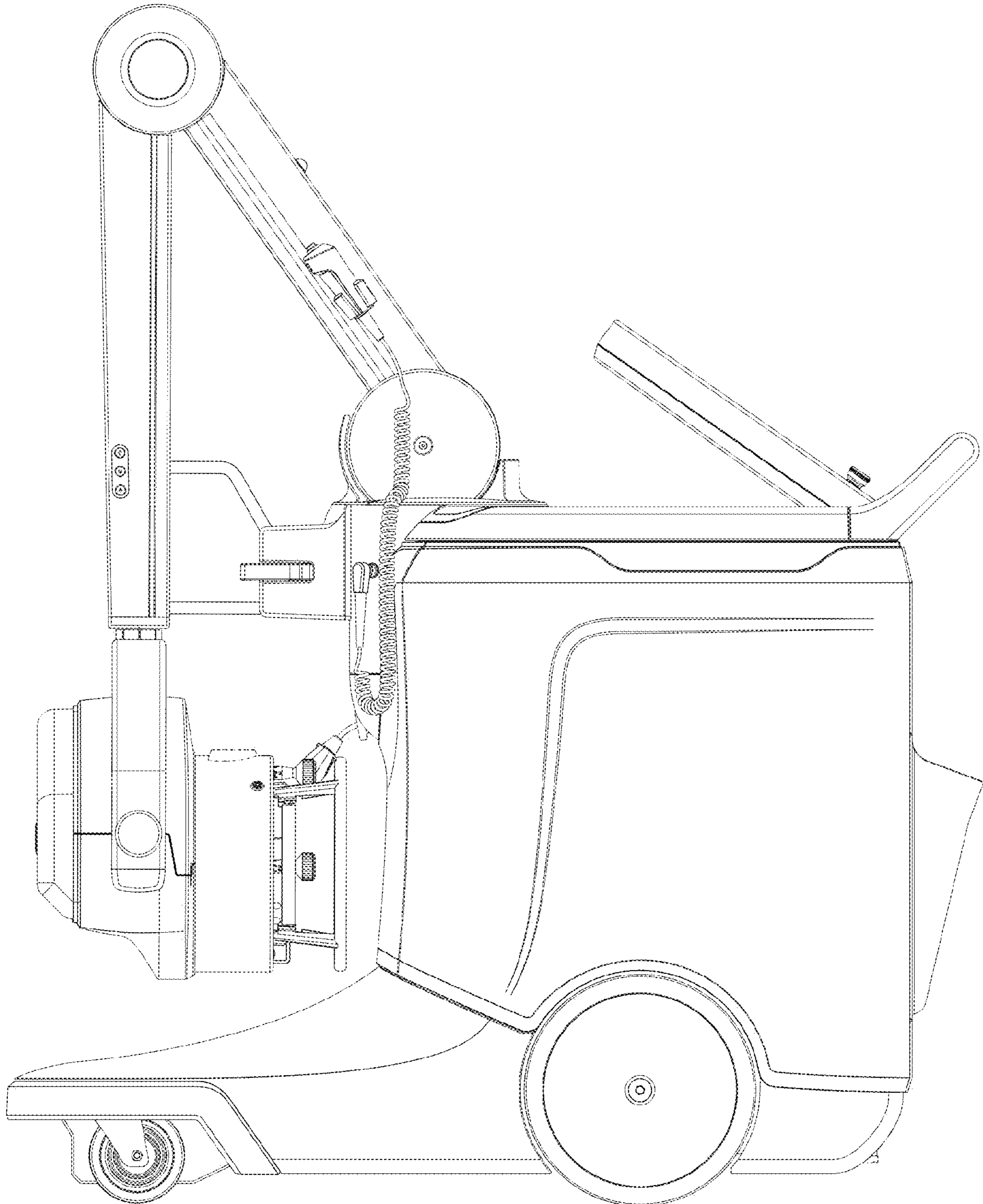
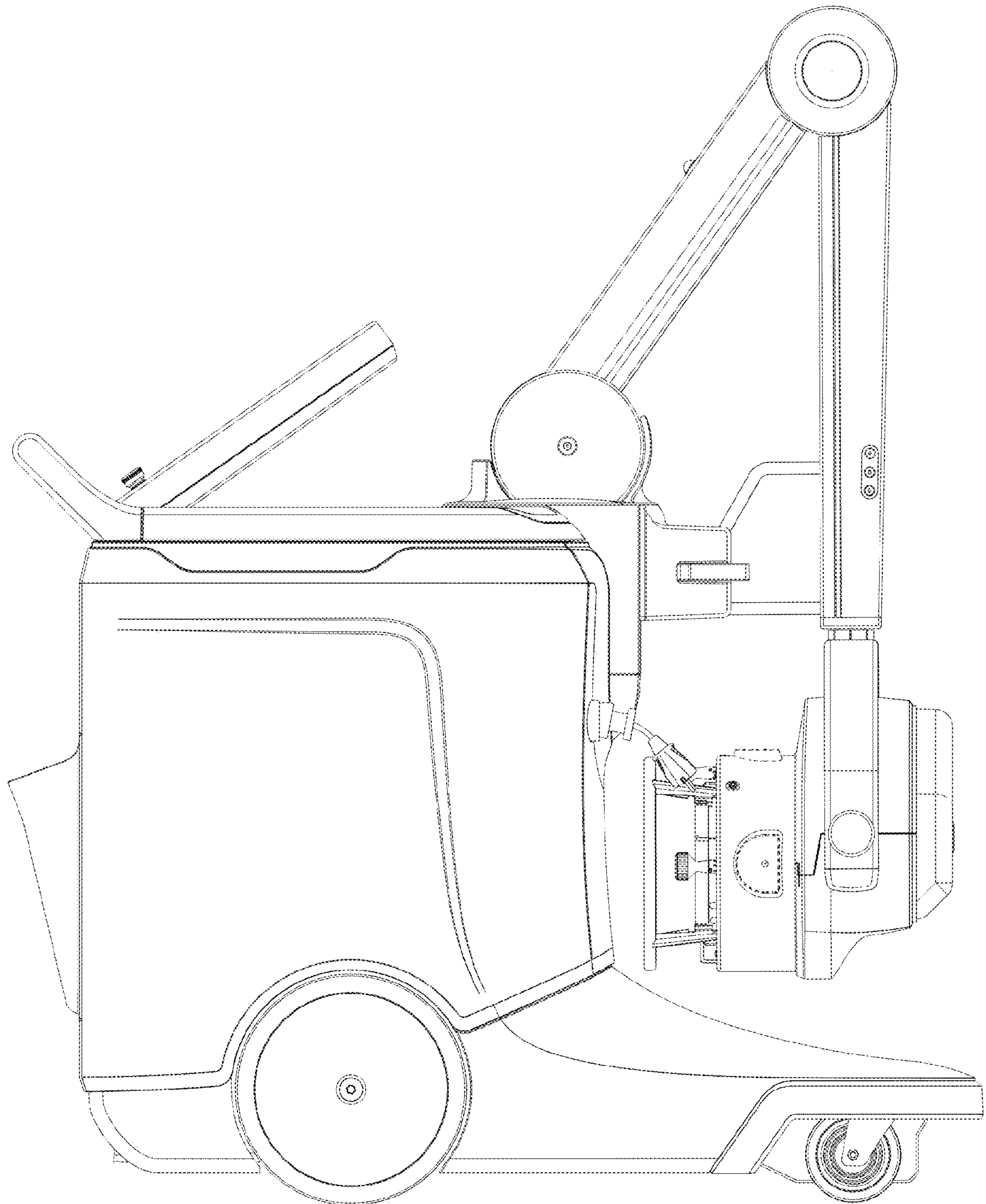


FIG. 6



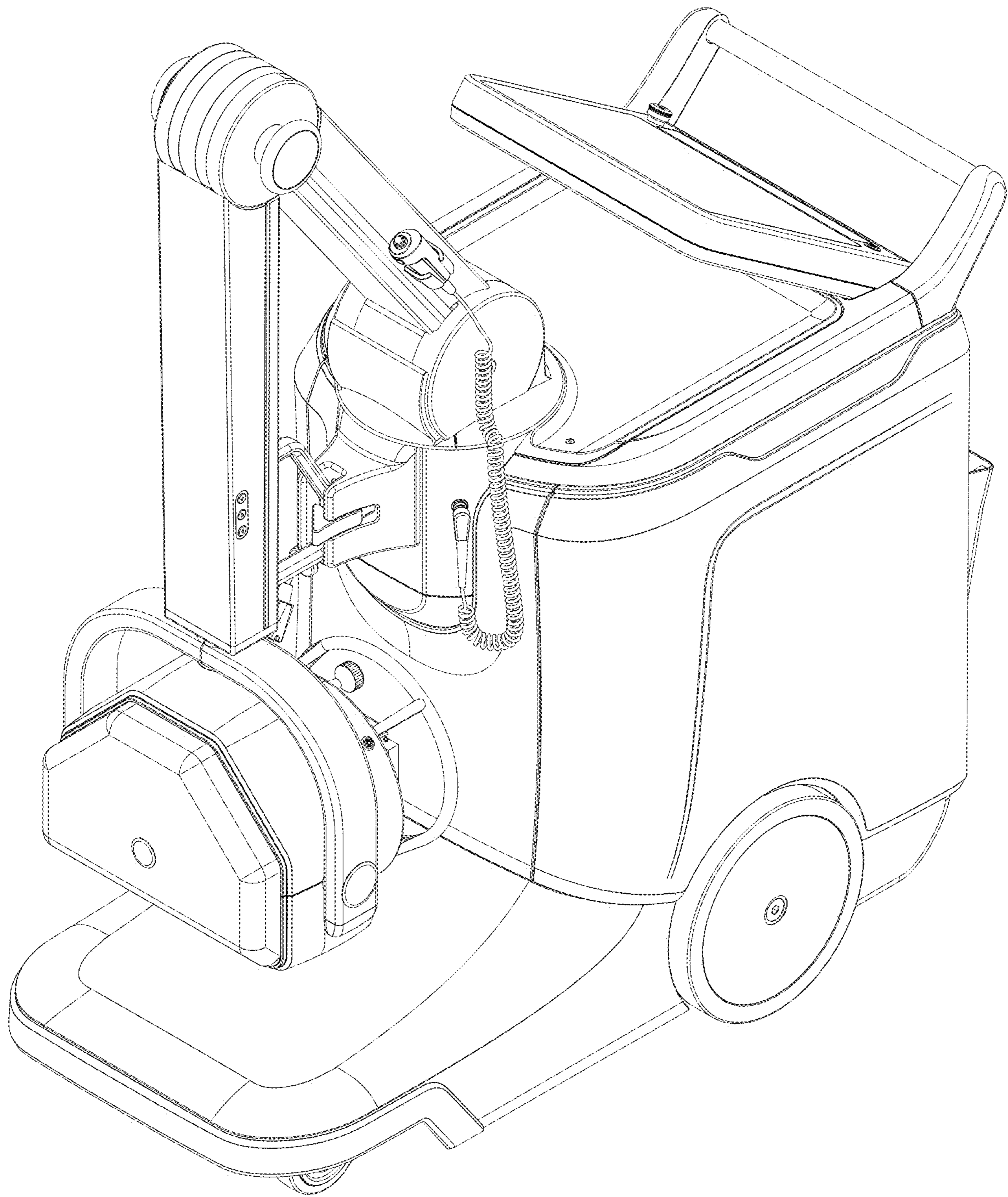


FIG. 7