



US00D910180S

(12) **United States Design Patent** (10) **Patent No.:** **US D910,180 S**  
**McHugh et al.** (45) **Date of Patent:** **\*\* Feb. 9, 2021**

(54) **POSTERIOR STABILIZED INSERT**

(71) Applicant: **Joint Development, LLC**, Salt Lake City, UT (US)

(72) Inventors: **Dermott J. McHugh**, Seattle, WA (US); **Eric M. Dacus**, Salt Lake City, UT (US)

(73) Assignee: **Joint Development, LLC**, Salt Lake City, UT (US)

(\*\*) Term: **15 Years**

(21) Appl. No.: **29/700,994**

(22) Filed: **Aug. 7, 2019**

(51) **LOC (13) Cl.** ..... **24-03**

(52) **U.S. Cl.**  
USPC ..... **D24/155**

(58) **Field of Classification Search**  
USPC ..... D24/155  
CPC ..... A61F 2/3859; A61F 2/38; A61F 2/389; A61F 2/3886; A61F 2/60; A61F 2/06; A61F 2/66; A61F 2/76; A61F 2310/00023  
See application file for complete search history.

(56) **References Cited**

**U.S. PATENT DOCUMENTS**

D326,156 S \* 5/1992 Martinez ..... D24/155  
D358,647 S \* 5/1995 Cohen ..... D24/155  
D373,825 S \* 9/1996 Hayes ..... D24/155  
6,942,475 B2 \* 9/2005 Ensign ..... A61F 2/30942  
249/55  
D626,234 S \* 10/2010 Otto ..... D24/155

9,271,840 B2 \* 3/2016 Keggi ..... A61F 2/389  
D781,422 S \* 3/2017 Hahn ..... D24/155  
D856,518 S \* 8/2019 Dacus ..... D24/155  
2011/0106268 A1 \* 5/2011 Deffenbaugh ..... A61F 2/389  
623/20.32

\* cited by examiner

*Primary Examiner* — Charles D Hanson

(74) *Attorney, Agent, or Firm* — Lowry Blixseth APC; Scott M. Lowry

(57) **CLAIM**

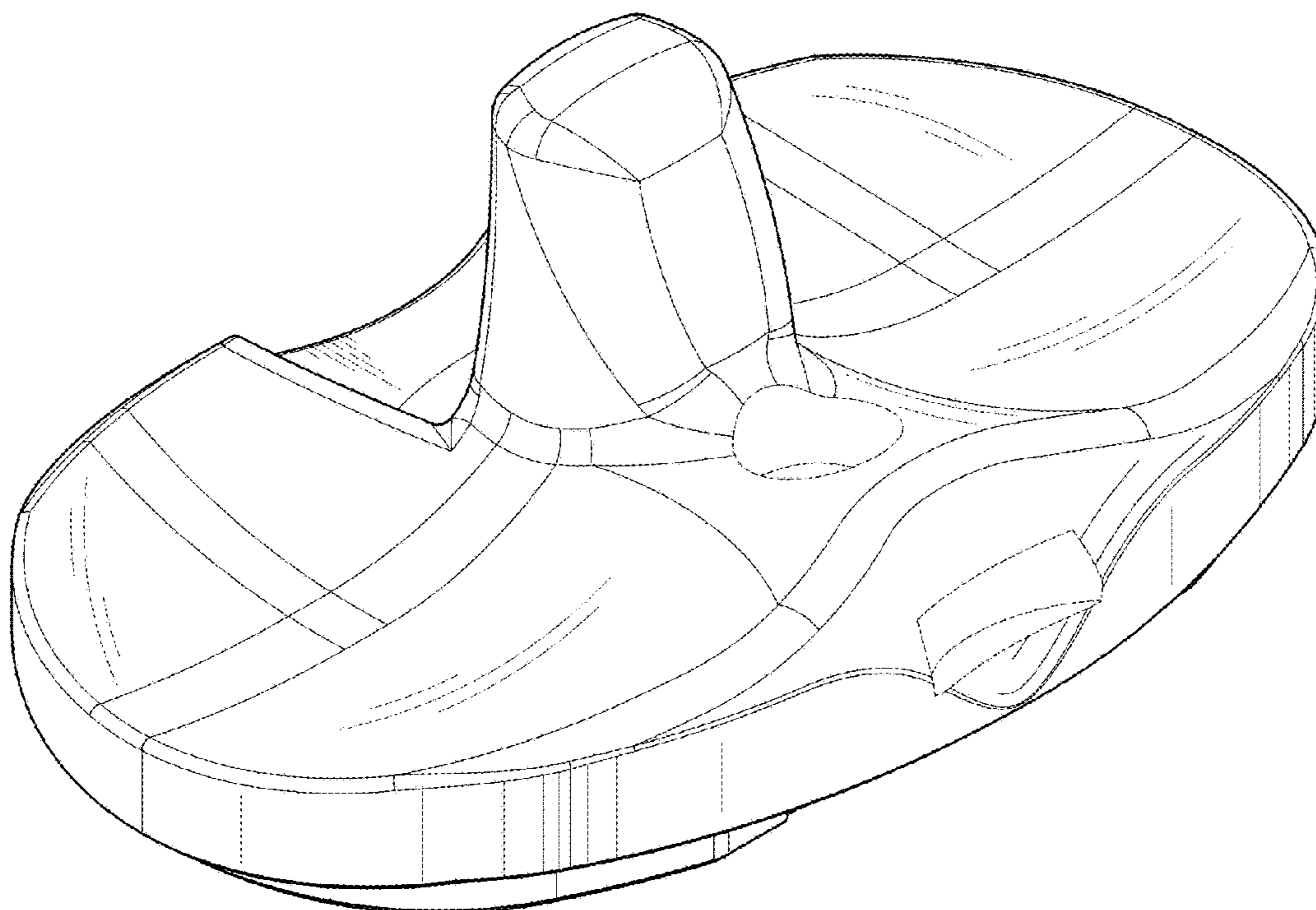
The ornamental design for a posterior stabilized insert, as shown and described.

**DESCRIPTION**

FIG. 1 is a perspective view showing the front, top and left sides of the posterior stabilized insert;  
FIG. 2 is a front elevation view of the posterior stabilized insert;  
FIG. 3 is a rear elevation view of the posterior stabilized insert;  
FIG. 4 is a right side elevation view of the posterior stabilized insert;  
FIG. 5 is a left side elevation view of the posterior stabilized insert;  
FIG. 6 is a top plan view of the posterior stabilized insert; and,  
FIG. 7 is a bottom plan view of the posterior stabilized insert.

The broken lines shown in the drawings represent portions of the posterior stabilized insert that form no part of the claimed design.

**1 Claim, 7 Drawing Sheets**



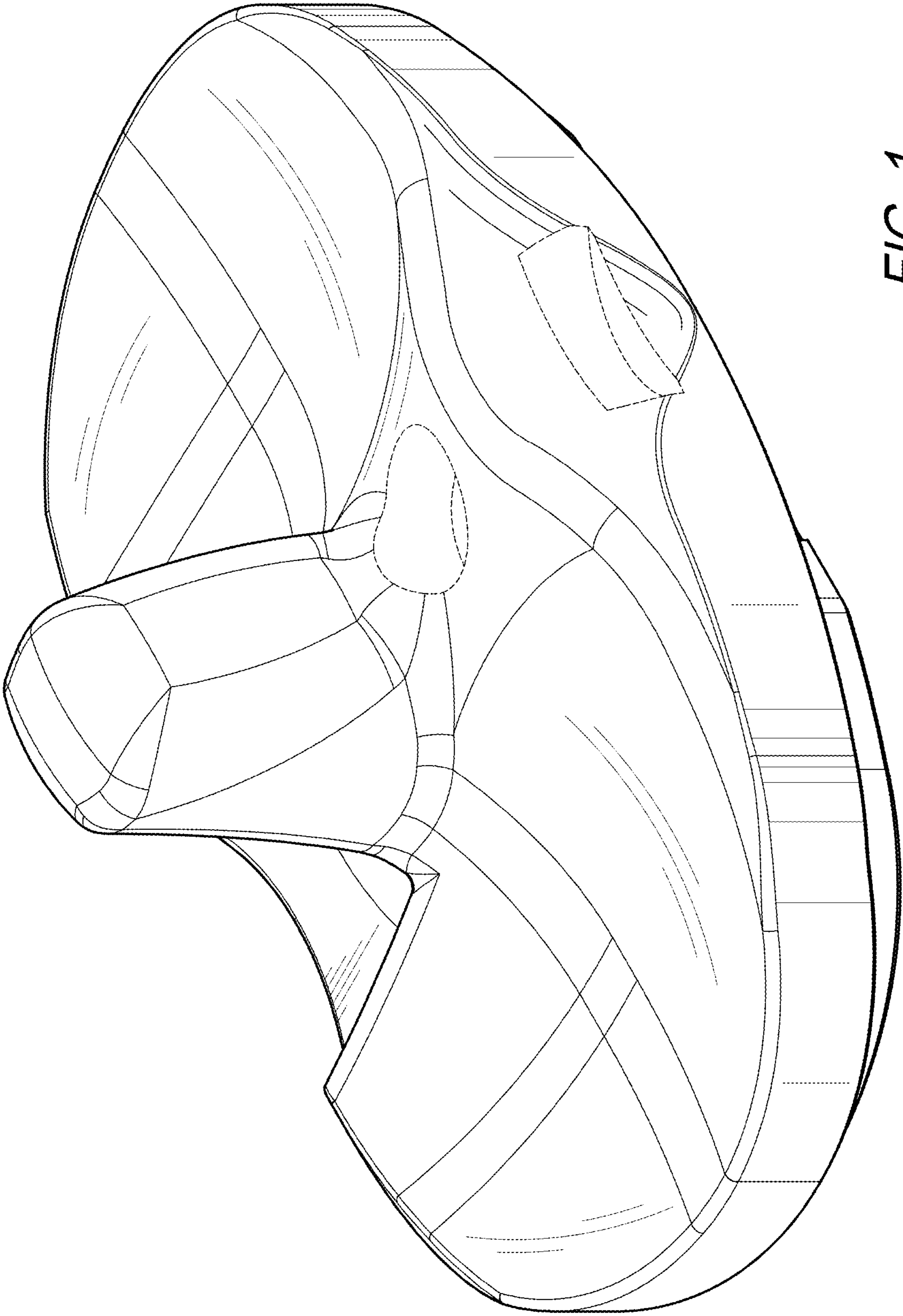


FIG. 1

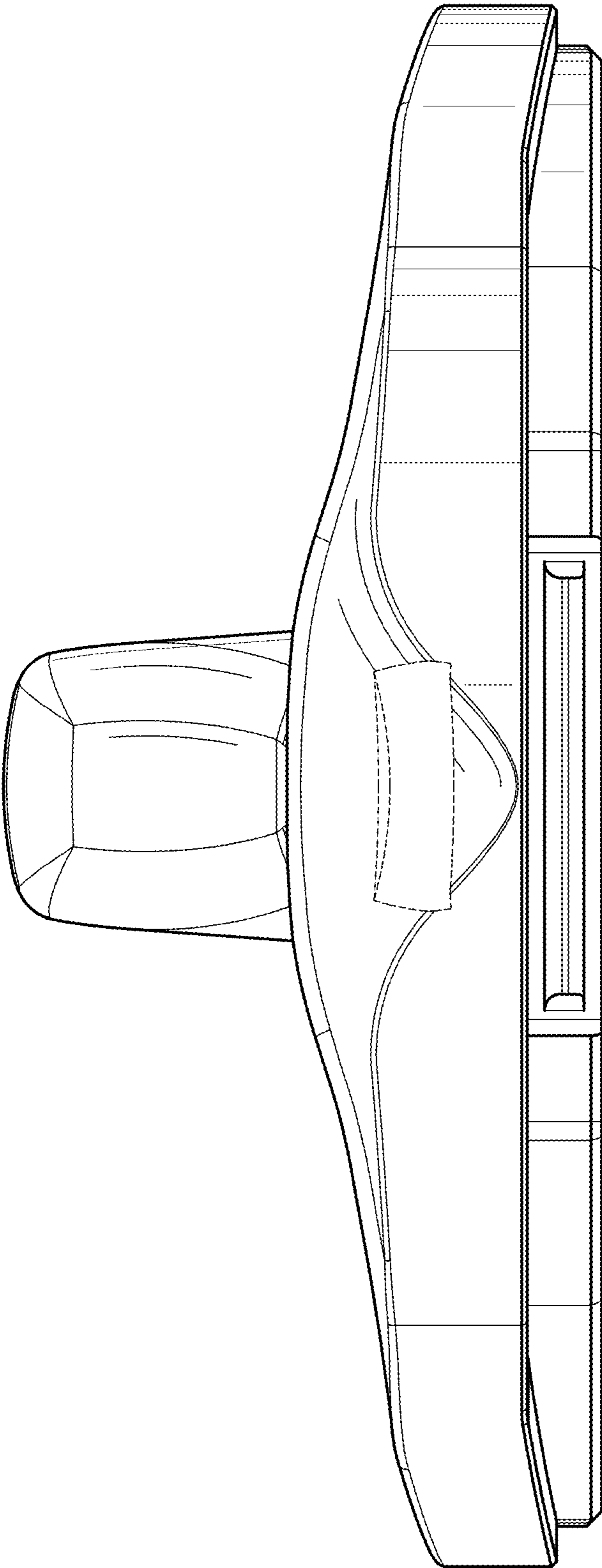


FIG. 2

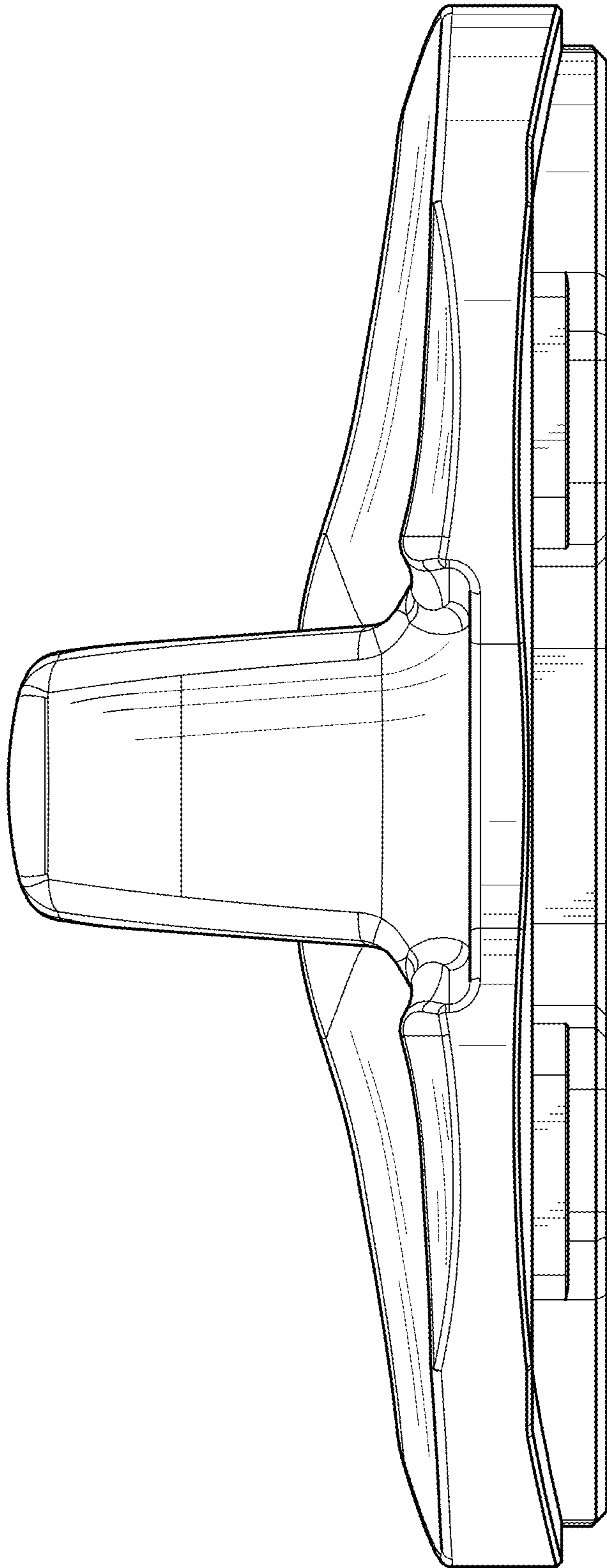


FIG. 3

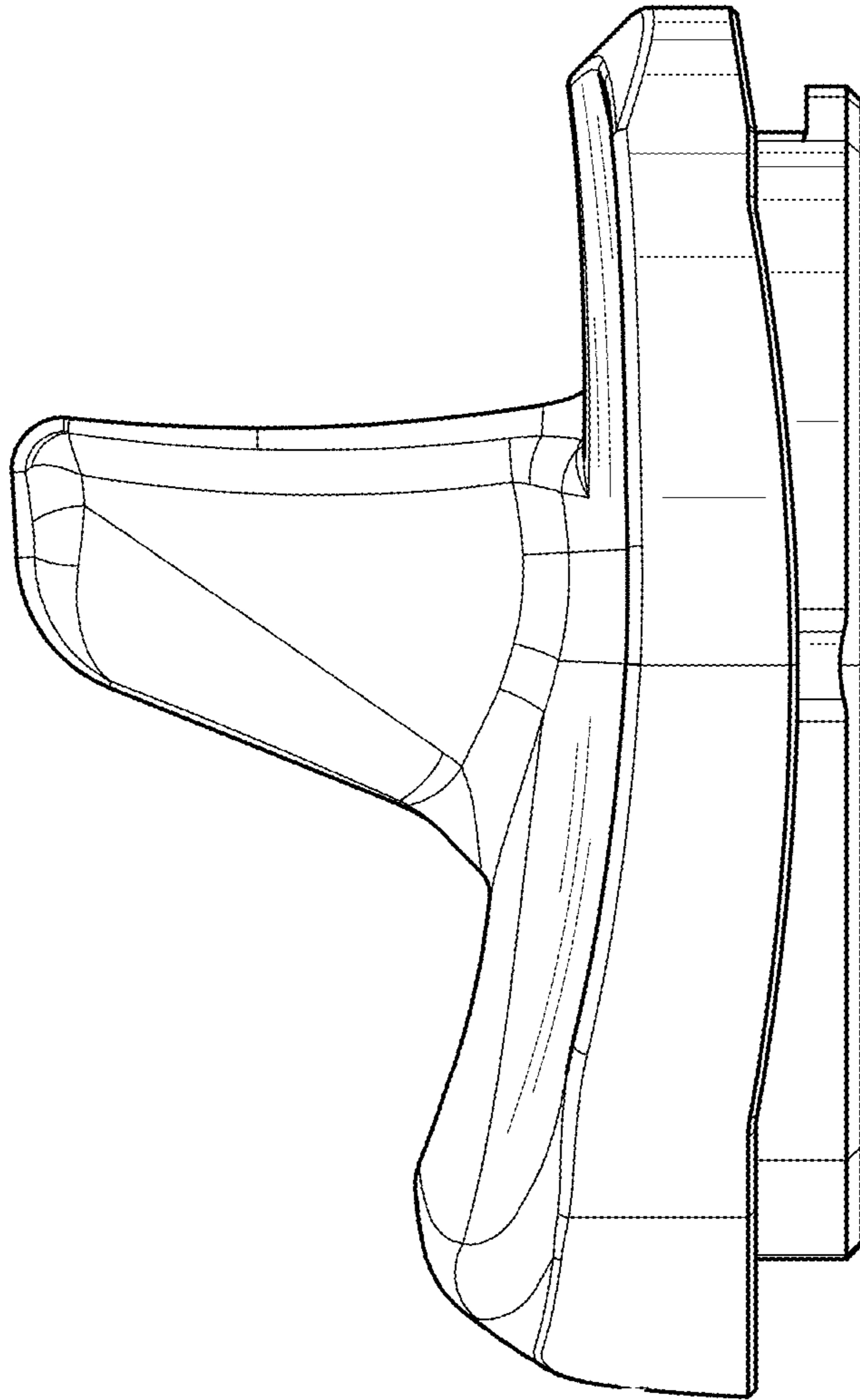


FIG. 4

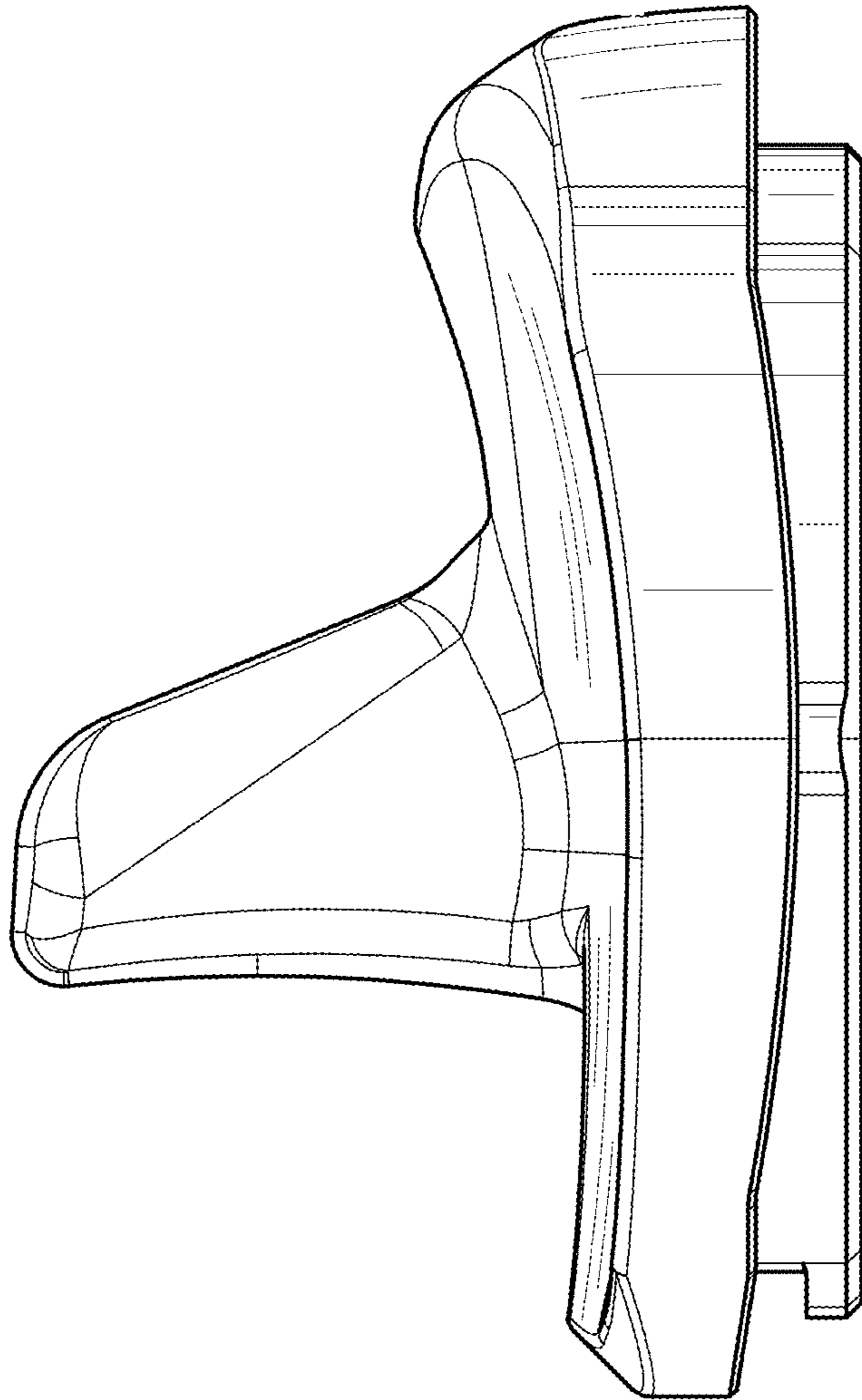


FIG. 5

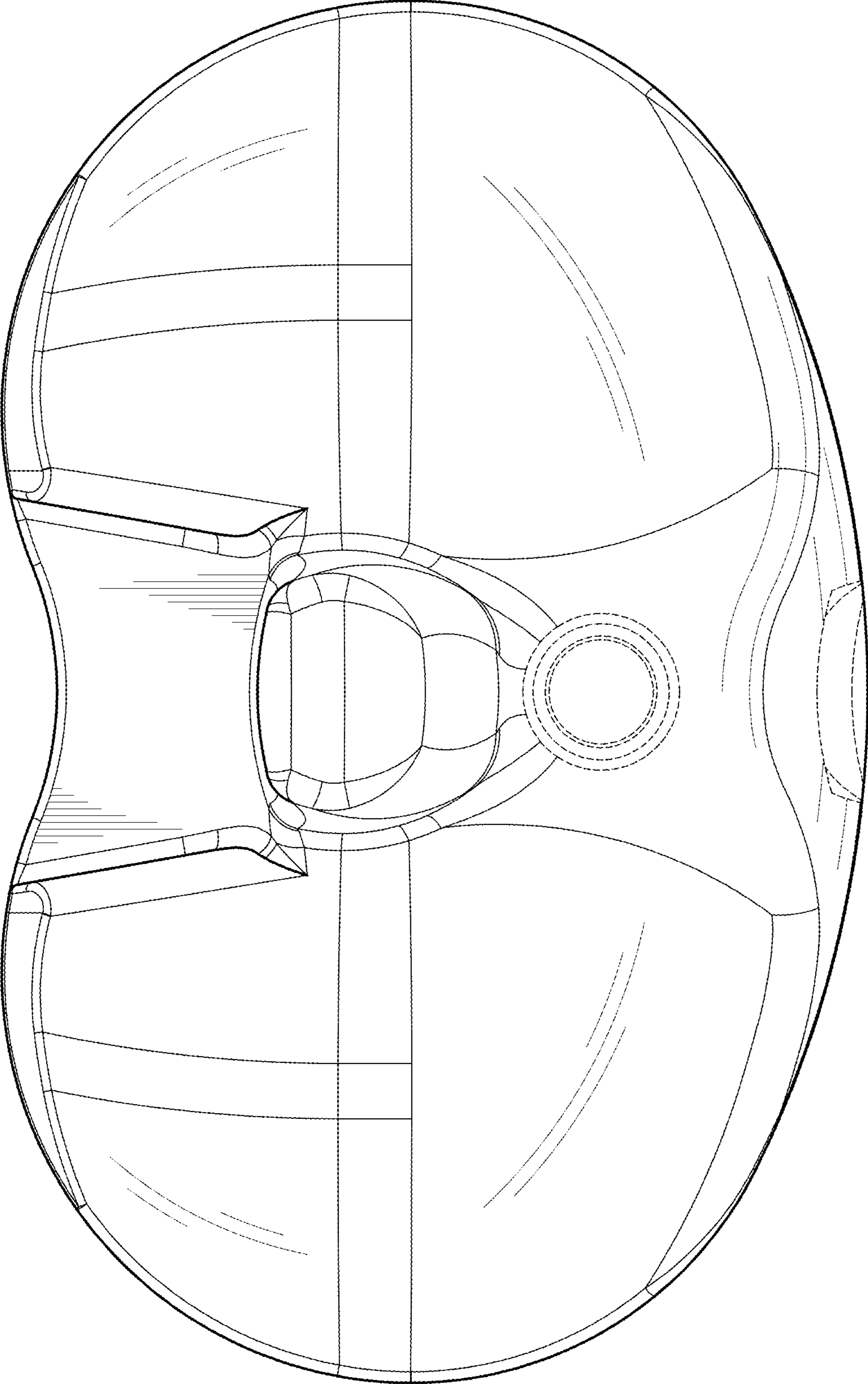


FIG. 6

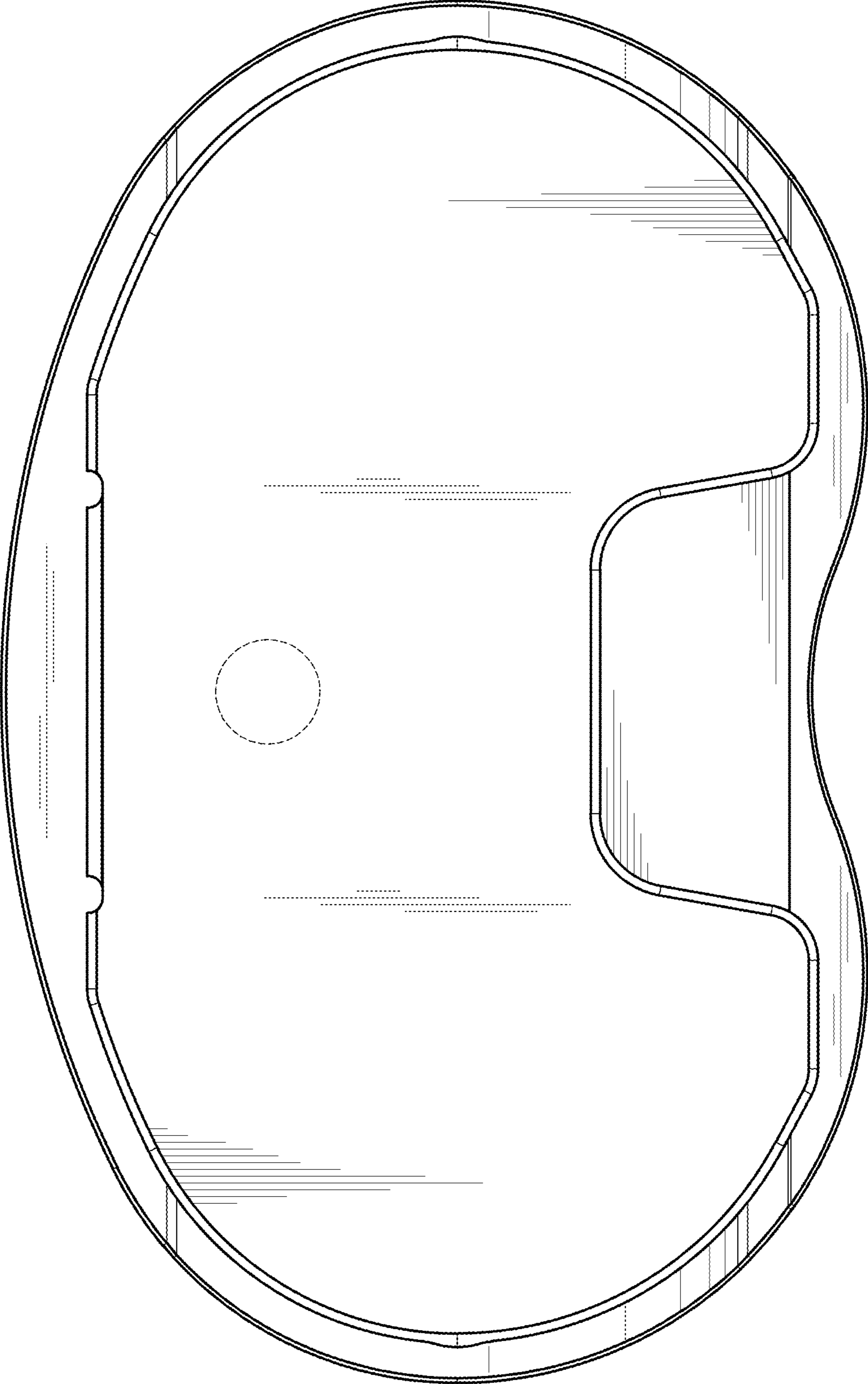


FIG. 7