



US00D910179S

(12) **United States Design Patent** (10) **Patent No.:** **US D910,179 S**
McHugh et al. (45) **Date of Patent:** **** Feb. 9, 2021**

(54) **POSTERIOR STABILIZED FEMUR**

D744,104 S * 11/2015 Bechtold D24/155
D755,971 S * 5/2016 Dacus D24/155
D833,613 S * 11/2018 Grotz D24/155
D849,945 S * 5/2019 Bechtold D24/155
2010/0305710 A1* 12/2010 Metzger A61F 2/3868
623/20.31

(71) Applicant: **Joint Development, LLC**, Salt Lake City, UT (US)

(72) Inventors: **Dermott J. McHugh**, Seattle, WA (US); **Eric M. Dacus**, Salt Lake City, UT (US)

* cited by examiner

(73) Assignee: **Joint Development, LLC**, Salt Lake City, UT (US)

Primary Examiner — Charles D Hanson
(74) *Attorney, Agent, or Firm* — Lowry Blixseth APC; Scott M. Lowry

(**) Term: **15 Years**

(57) **CLAIM**

(21) Appl. No.: **29/700,987**

The ornamental design for a posterior stabilized femur, as shown and described.

(22) Filed: **Aug. 7, 2019**

(51) **LOC (13) Cl.** **24-03**

(52) **U.S. Cl.**

USPC **D24/155**

(58) **Field of Classification Search**

USPC D24/155

CPC A61F 2/3859; A61F 2/38; A61F 2/389; A61F 2/3886; A61F 2/60; A61F 2/06; A61F 2/66; A61F 2/76; A61F 2310/00023

See application file for complete search history.

DESCRIPTION

FIG. 1 is a perspective view showing the front, top and left sides of the posterior stabilized femur;

FIG. 2 is a front elevation view of the posterior stabilized femur;

FIG. 3 is a rear elevation view of the posterior stabilized femur;

FIG. 4 is a right side elevation view of the posterior stabilized femur;

FIG. 5 is a left side elevation view of the posterior stabilized femur;

FIG. 6 is a top plan view of the posterior stabilized femur; and,

FIG. 7 is a bottom plan view of the posterior stabilized femur.

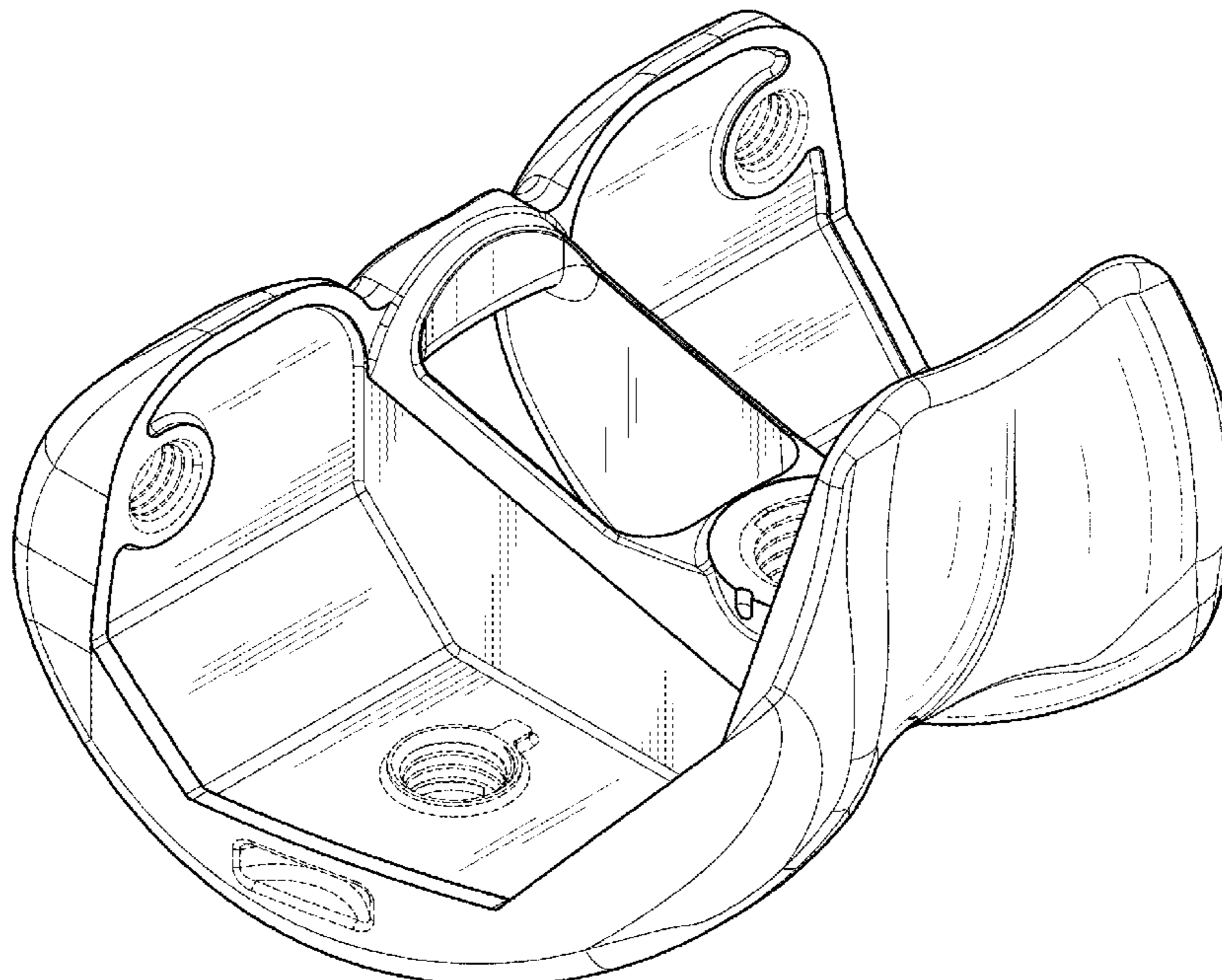
The broken lines shown in the drawings represent portions of the posterior stabilized femur that form no part of the claimed design.

(56) **References Cited**

U.S. PATENT DOCUMENTS

5,330,532 A * 7/1994 Ranawat A61F 2/3886
623/20.27
8,163,028 B2 * 4/2012 Metzger A61F 2/3868
623/20.36
D661,808 S * 6/2012 Kang D24/155
8,333,805 B2 * 12/2012 Williams, III A61L 27/306
623/20.35
8,715,359 B2 * 5/2014 Deffenbaugh A61F 2/389
623/20.29

1 Claim, 7 Drawing Sheets



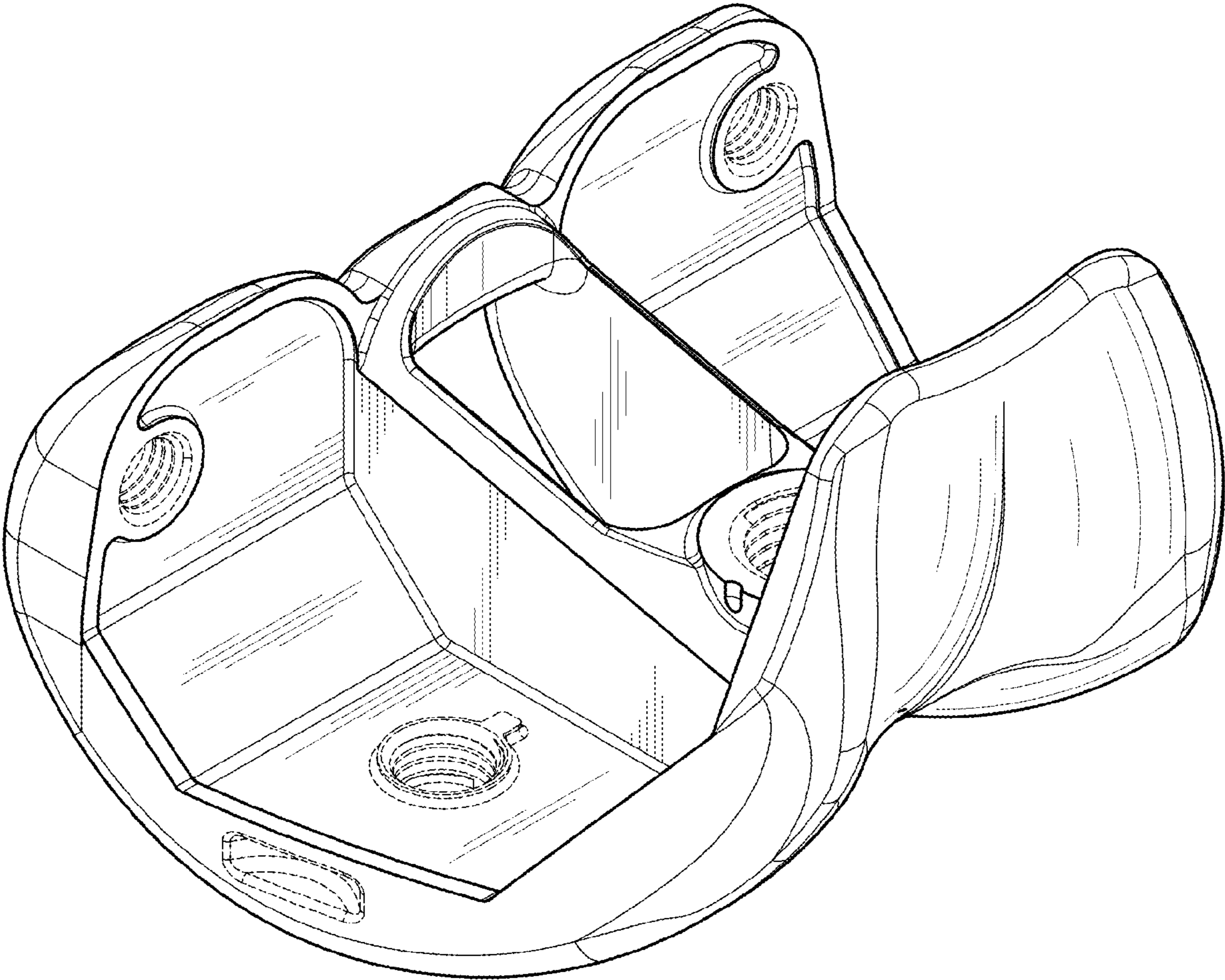


FIG. 1

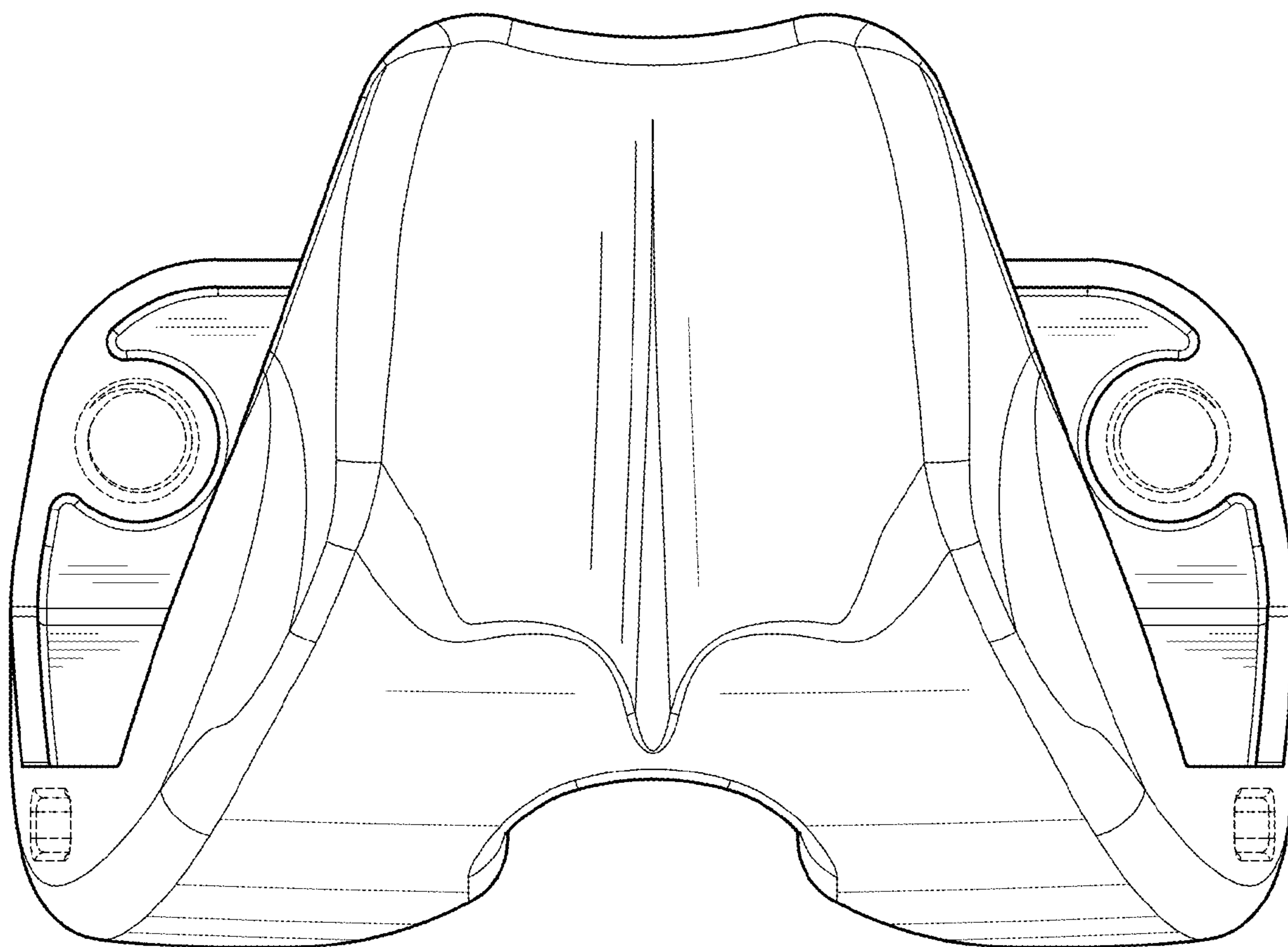


FIG. 2

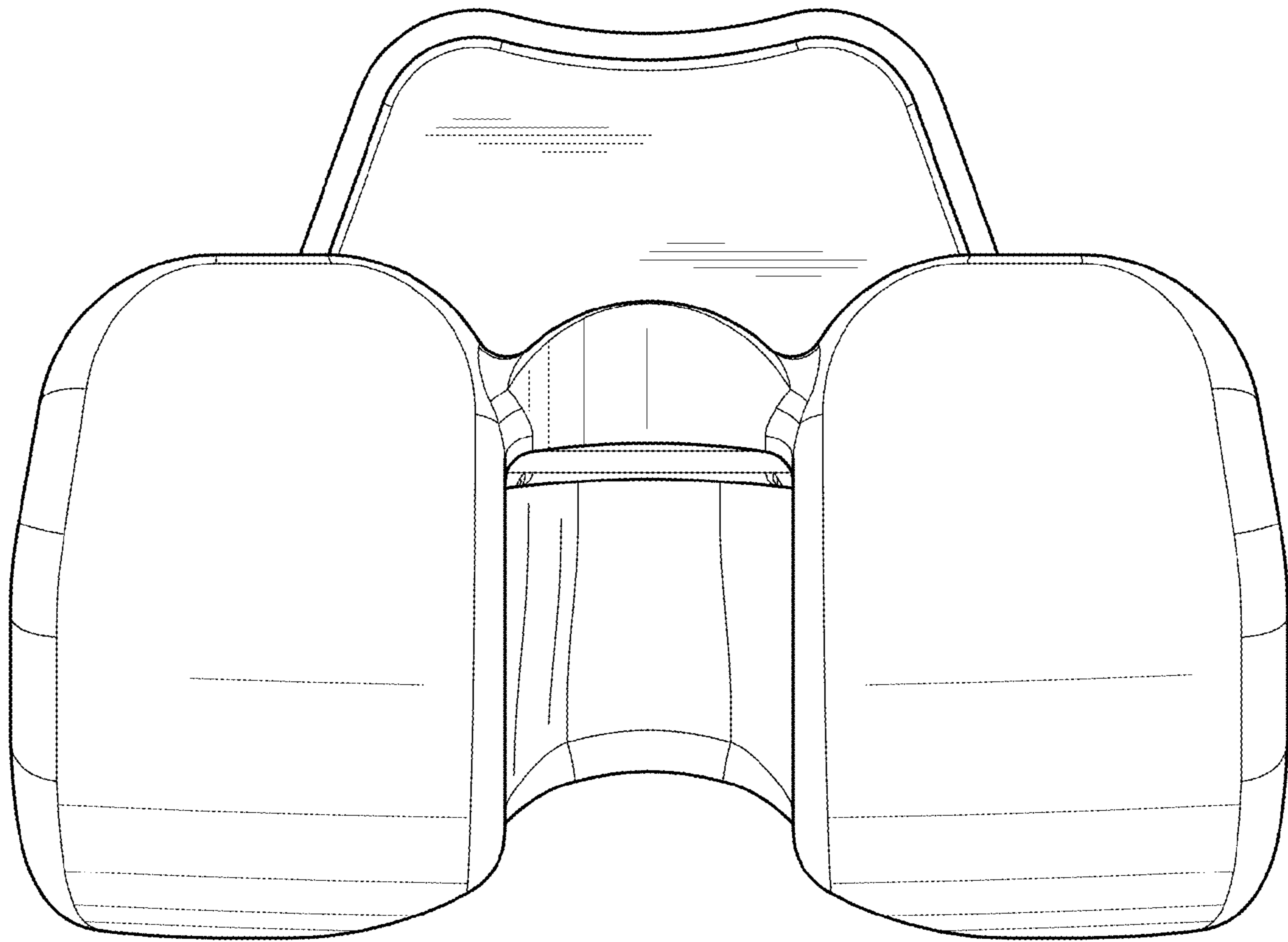


FIG. 3

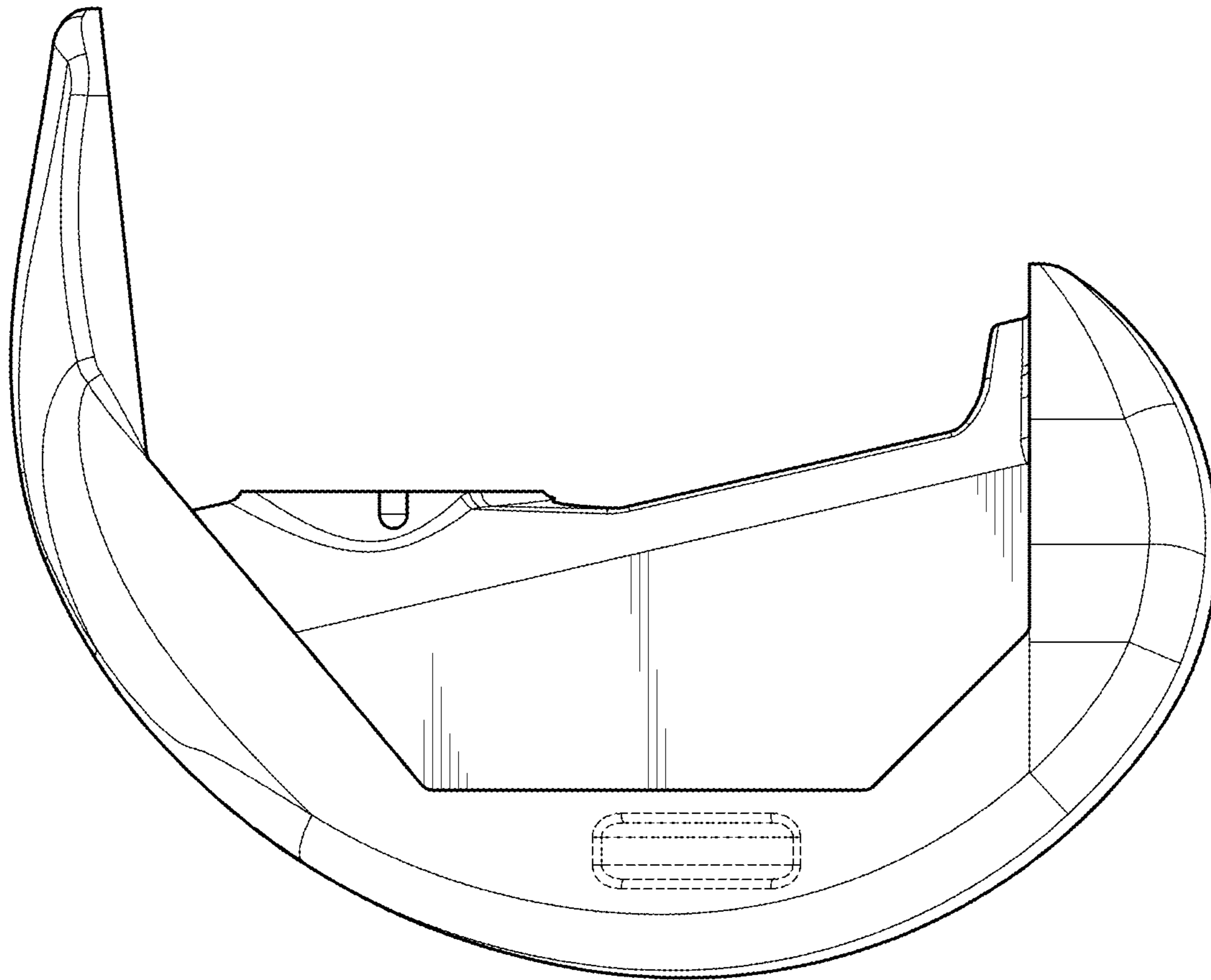


FIG. 4

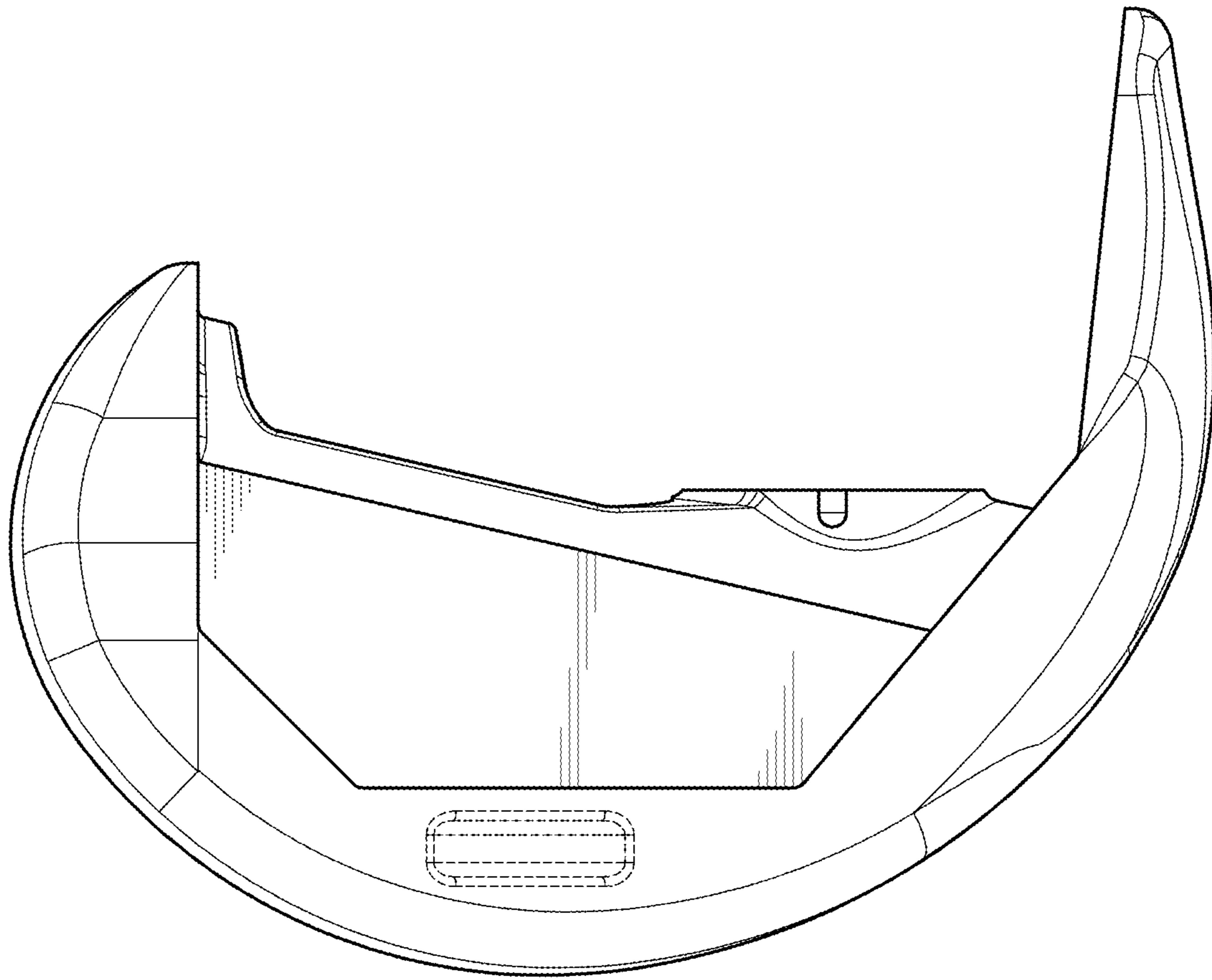


FIG. 5

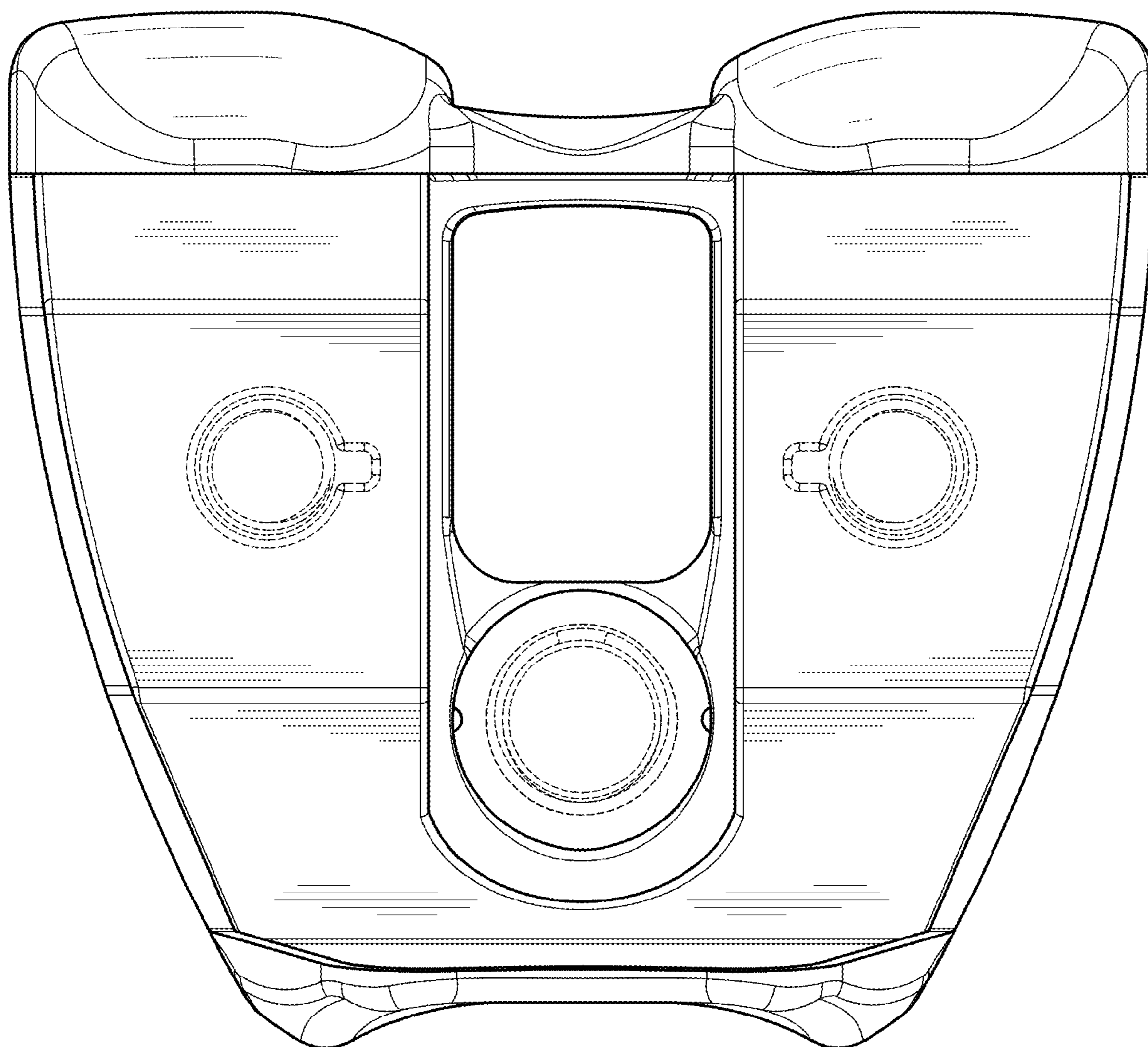


FIG. 6

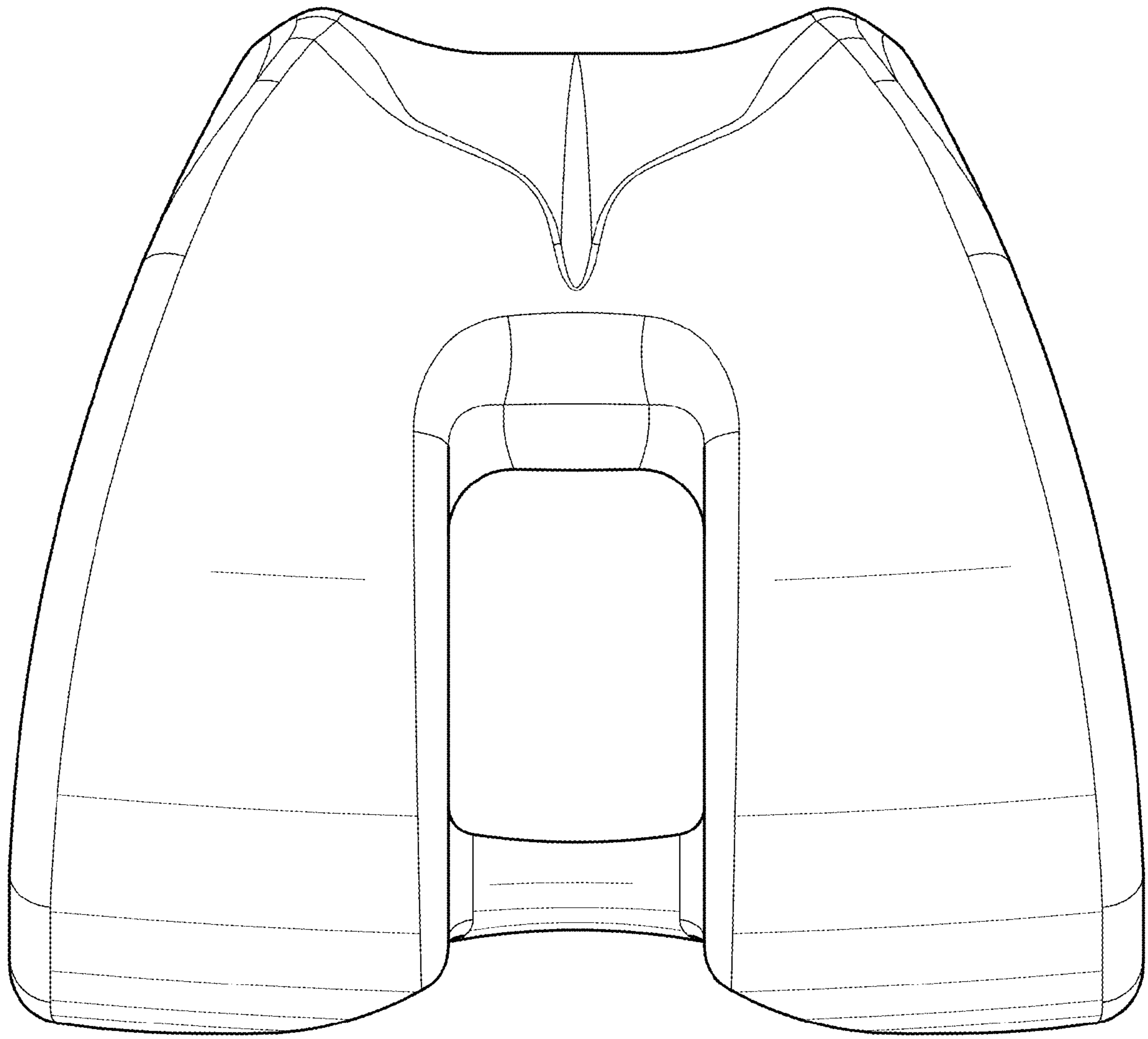


FIG. 7