



US00D910177S

(12) **United States Design Patent** (10) **Patent No.:** **US D910,177 S**
Roman et al. (45) **Date of Patent:** **** Feb. 9, 2021**

(54) **IMPLANT**

OTHER PUBLICATIONS

(71) Applicant: **ARROWHEAD MEDICAL DEVICE TECHNOLOGIES, LLC**, Collierville, TN (US)

Extended European Search Report issued in European Patent Application 14780322.5 dated Nov. 16, 2016.

(Continued)

(72) Inventors: **Scott R. Roman**, Hampton, GA (US); **Thomas J. Twardzik**, Germantown, TN (US)

Primary Examiner — Charles D Hanson
(74) *Attorney, Agent, or Firm* — Heslin Rothenberg Farley & Mesiti P.C.

(73) Assignee: **ARROWHEAD MEDICAL DEVICE TECHNOLOGIES, LLC**, Collierville, TN (US)

(57) **CLAIM**

The ornamental design for an implant, as shown and described.

(**) Term: **15 Years**

DESCRIPTION

(21) Appl. No.: **29/637,532**

(22) Filed: **Feb. 20, 2018**

Related U.S. Application Data

(60) Continuation of application No. 15/619,831, filed on Jun. 12, 2017, now Pat. No. 9,924,985, which is a (Continued)

(51) **LOC (13) Cl.** **24-03**

(52) **U.S. Cl.**
USPC **D24/155**

(58) **Field of Classification Search**
USPC D24/155
(Continued)

(56) **References Cited**

U.S. PATENT DOCUMENTS

5,053,035 A 10/1991 McLaren

5,893,850 A 4/1999 Cachia

(Continued)

FOREIGN PATENT DOCUMENTS

WO 2011130229 10/2011

FIG. 1 is a front perspective view of the implant comprising the new design;

FIG. 2 is a back perspective view of the design of FIG. 1; FIG. 3 is a right elevational view of the design of FIG. 1, wherein the left elevational view is a mirror image thereof; FIG. 4 is a top view of the design of FIG. 1, wherein the bottom view is a mirror image thereof;

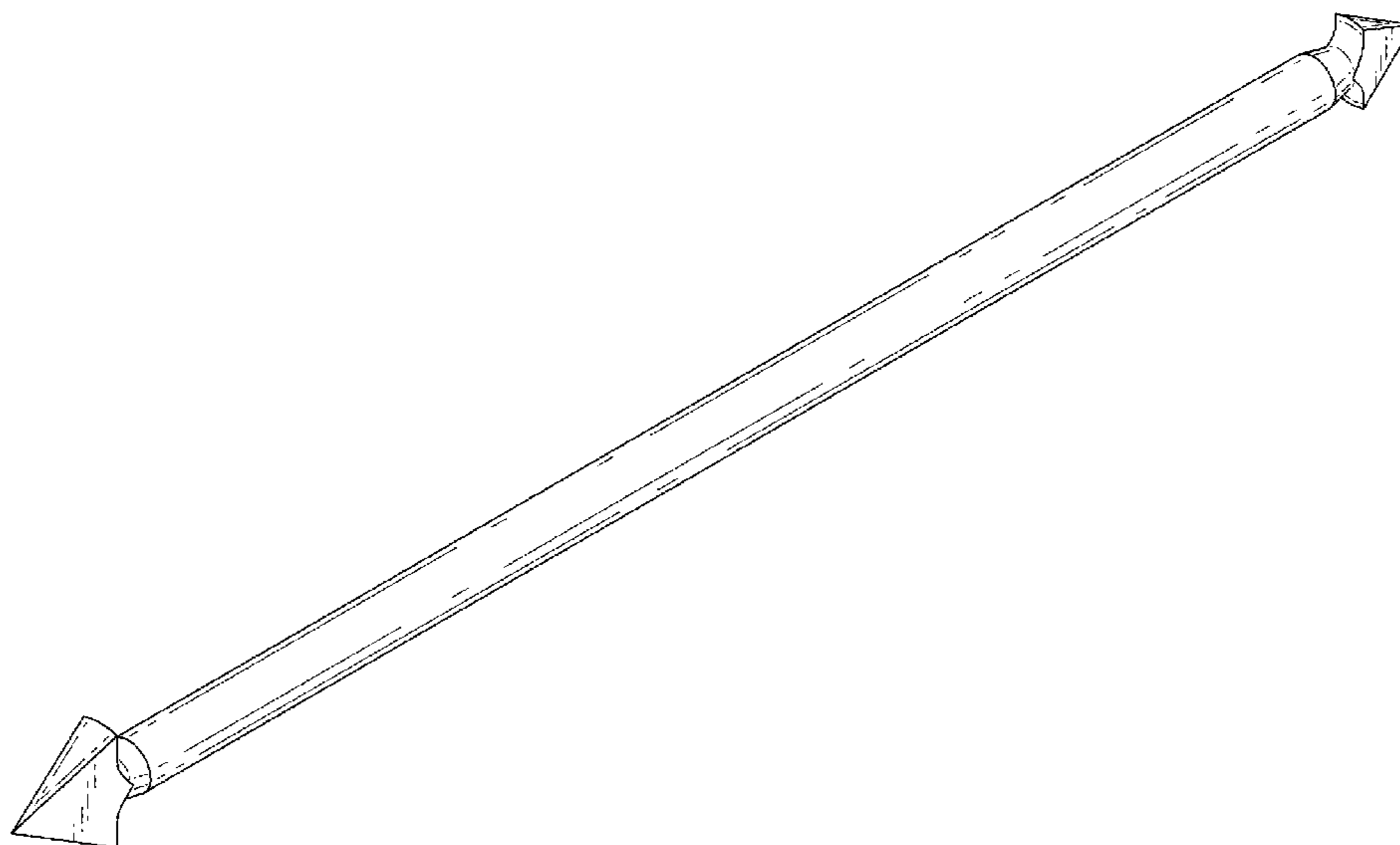
FIG. 5 is a front elevational view of the design of FIG. 1; and FIG. 6 is a back elevational view of the design of FIG. 1. FIG. 7 is a front perspective view of an alternative embodiment of the implant of FIG. 1;

FIG. 8 is a bottom perspective view of the design of FIG. 7; FIG. 9 is a right elevational view of the design of FIG. 7, wherein the left elevational view is a mirror image thereof; FIG. 10 is a top view of the design of FIG. 7, wherein the bottom view is a mirror image thereof;

FIG. 11 is a front elevational view of the design of FIG. 7; and,

FIG. 12 is a back elevational view of the design of FIG. 7. The broken lines shown in the figures are directed to the environment and are for illustrative purposes only; the broken lines form no part of the claimed implant invention. The relatively light uneven broken lines shown in the figures represent contour, not surface decoration.

1 Claim, 6 Drawing Sheets



Related U.S. Application Data

continuation of application No. 14/776,066, filed on Sep. 14, 2015, now Pat. No. 9,675,391, which is a division of application No. PCT/US2014/024485, filed on Mar. 12, 2014.

(58) **Field of Classification Search**

CPC A61F 6/04; A61F 6/065; A61F 2/4225; A61F 2/4241; A61F 2002/4233; A61F 2002/4235; A61F 2002/4228; A61F 2002/30205; A61F 2002/30224

See application file for complete search history.

(56) **References Cited**

U.S. PATENT DOCUMENTS

6,695,499	B2	2/2004	Bartolome et al.
6,736,818	B2	5/2004	Perren et al.
10,080,597	B2 *	9/2018	Shemwell A61B 17/7291
2004/0220574	A1	11/2004	Pelo et al.
2006/0129153	A1	6/2006	Klaue et al.
2007/0083202	A1	4/2007	Running et al.
2008/0132894	A1	6/2008	Coilard-Lavirotte et al.
2008/0177262	A1	7/2008	Augoyard et al.
2009/0005782	A1	1/2009	Chirico et al.

2009/0036893	A1	2/2009	Kartalian et al.
2010/0324556	A1	12/2010	Tyber
2011/0172668	A1	7/2011	Frake
2011/0257652	A1 *	10/2011	Roman A61B 17/16 606/62
2011/0276099	A1	11/2011	Champagne et al.
2011/0301652	A1	12/2011	Reed et al.
2012/0089197	A1	4/2012	Anderson
2014/0276825	A1 *	9/2014	Brown A61B 17/88 606/62
2014/0276827	A1 *	9/2014	Roman A61B 17/7291 606/64
2014/0277554	A1 *	9/2014	Roman A61B 17/7233 623/21.19
2018/0168703	A1 *	6/2018	Roman A61F 2/4225

OTHER PUBLICATIONS

International Search Report for PCT/US2014/024485 dated Jul. 10, 2014.

International Search Report and Written Opinion issued for PCT/US2014/022058 dated Jun. 25, 2014.

International Search Report and Written Opinion issued for PCT/US2014/024599 dated Aug. 6, 2014.

* cited by examiner

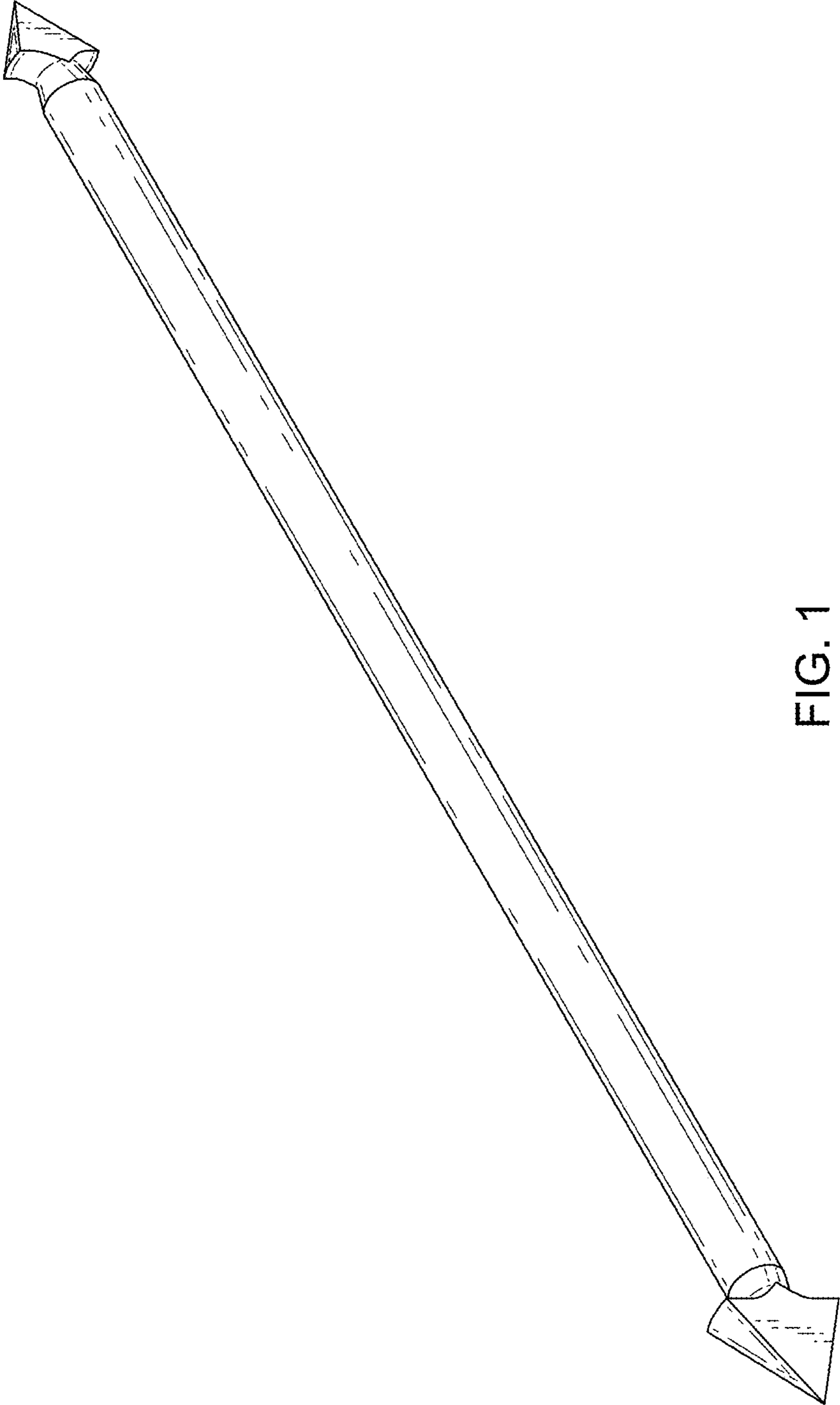


FIG. 1

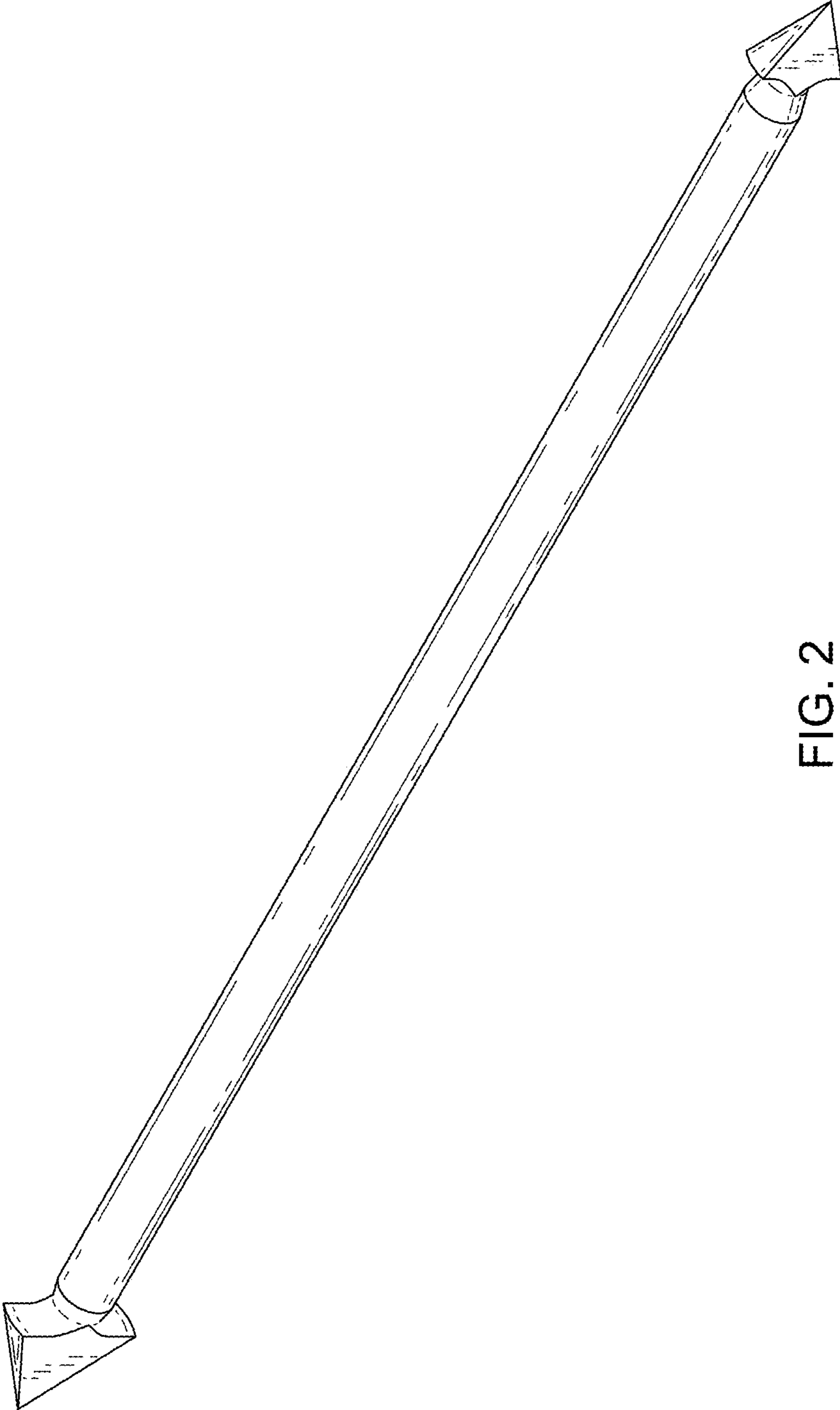


FIG. 2

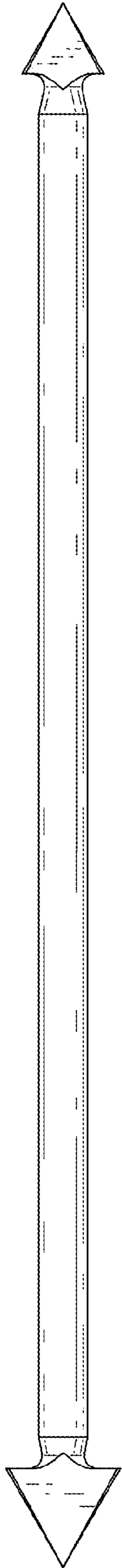


FIG. 3

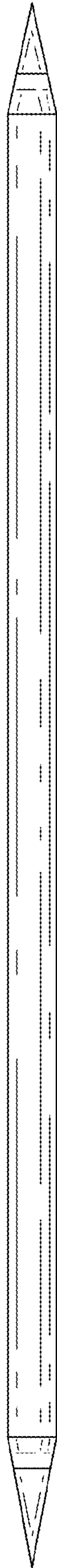


FIG. 4



FIG. 5



FIG. 6

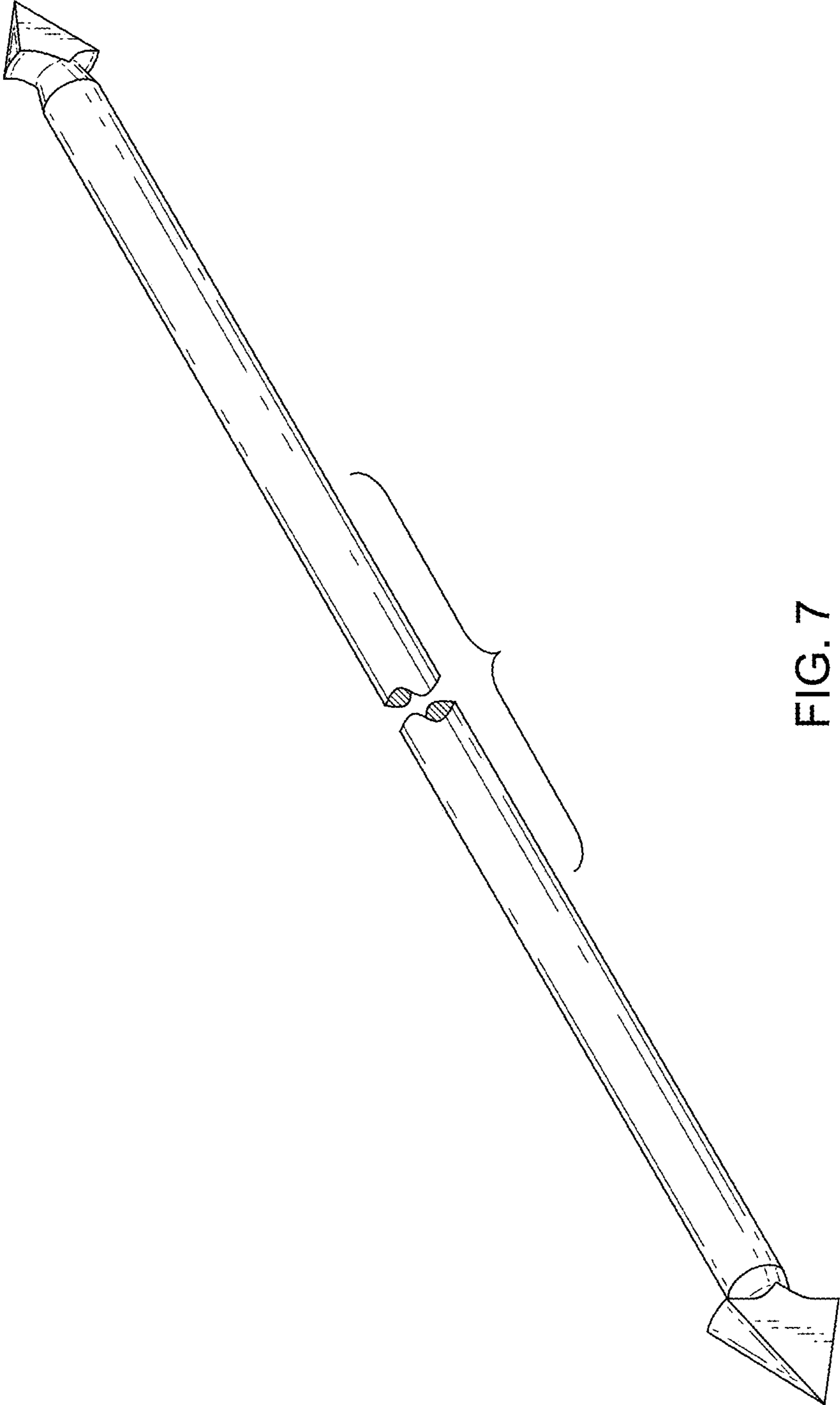


FIG. 7

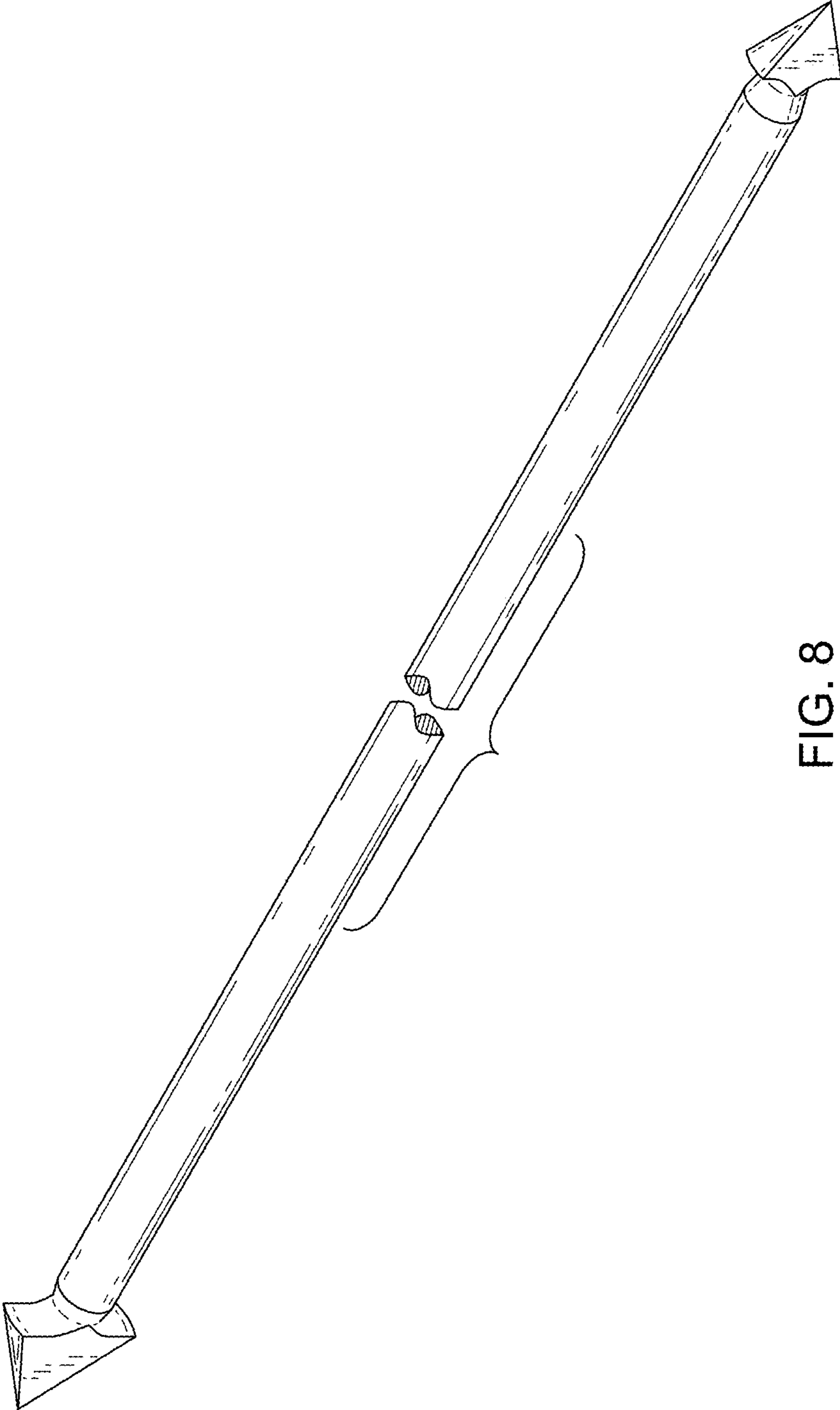


FIG. 8

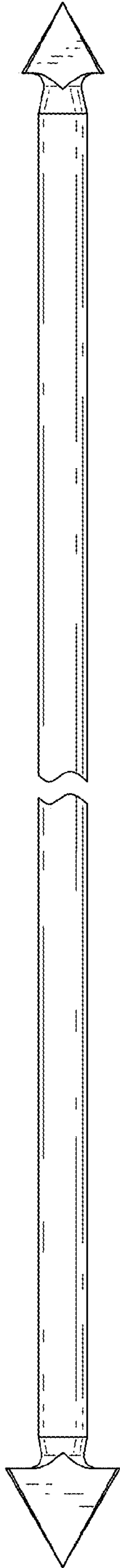


FIG. 9



FIG. 10



FIG. 11



FIG. 12