



US00D910172S

(12) **United States Design Patent** (10) **Patent No.:** **US D910,172 S**
Kwon et al. (45) **Date of Patent:** **** Feb. 9, 2021**

(54) **HANDLE FOR SURGICAL INSTRUMENT**

17/122; A61B 17/1285; A61B 1/3132;
F61H 9/06; Y10T 74/18832

(71) Applicant: **LIVSMED INC.**, Seongnam-si (KR)

See application file for complete search history.

(72) Inventors: **Jin Ho Kwon**, Seongnam-si (KR); **Hee Jin Kim**, Seoul (KR); **Jung Joo Lee**, Yongin-si (KR)

(56) **References Cited**

U.S. PATENT DOCUMENTS

(73) Assignee: **LIVSMED INC.**, Seongnam-si (KR)

D631,965 S *	2/2011	Price	D24/133
D632,785 S *	2/2011	Risoli	D24/133
D666,291 S *	8/2012	Baehr	D24/133
D670,380 S *	11/2012	Sapalev	D24/133
D679,010 S *	3/2013	Kitayama	D24/133
D683,852 S *	6/2013	Gonzales	D24/133
D687,549 S *	8/2013	Johnson	D24/133

(**) Term: **15 Years**

(21) Appl. No.: **35/507,296**

(Continued)

(22) Filed: **Jan. 14, 2019**

(80) **Hague Agreement Data**

Int. Filing Date: **Jan. 14, 2019**
Int. Reg. No.: **DM/202359**
Int. Reg. Date: **Jan. 14, 2019**
Int. Reg. Pub. Date: **Aug. 23, 2019**

OTHER PUBLICATIONS

Introducing ArtiSential https://www.youtube.com/watch?v=g6cPbFXo7ll&feature=emb_title Jul. 31, 2019 (Year: 2019).*

(30) **Foreign Application Priority Data**

Jul. 13, 2018 (KR) 30-2018-0032432

Primary Examiner — Samantha Q Lawrence
(74) *Attorney, Agent, or Firm* — Novick, Kim & Lee, PLLC; Sang Ho Lee; Hyun Woo Shin

(51) **LOC (13) Cl.** **24-02**

(52) **U.S. Cl.**
USPC **D24/133**

(57) **CLAIM**

The ornamental design for a handle for surgical instrument, as shown and described.

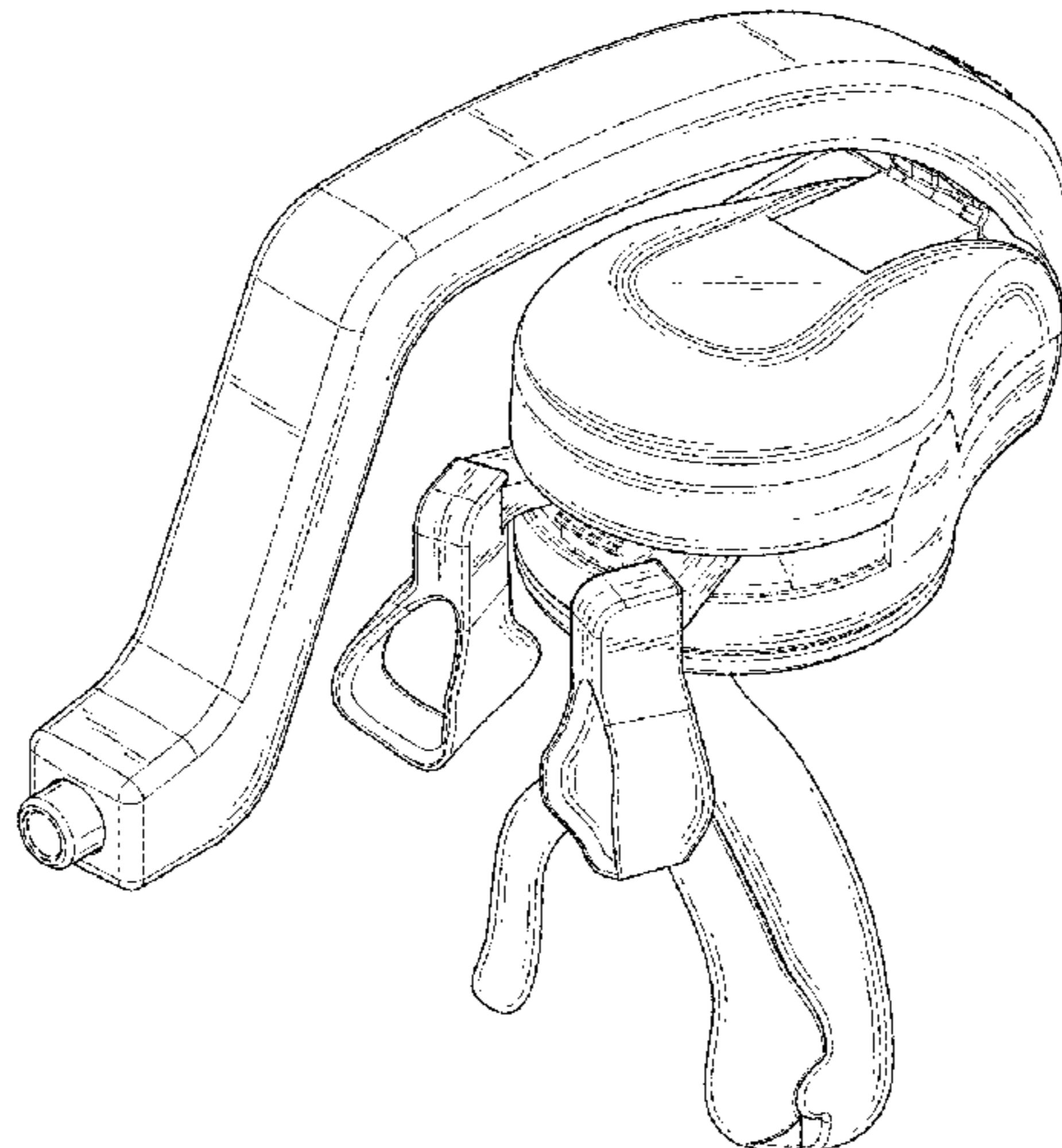
(58) **Field of Classification Search**

USPC D24/127, 130, 133, 146, 147, 106, 108, D24/109, 112, 187, 196, 200, 210, 214, D24/113, 114, 115, 116, 117, 134, 136, D24/137; D8/14, 16, 19, 21, 34, 77, 82, D8/83, 84, 85, 86, 107, 300, 303, 314, D8/372, 374, 394
CPC A61B 2017/00398; A61B 2017/00473; A61B 2017/0046; A61B 2017/00464; A61B 2017/00477; A61B 2017/07285; A61B 17/2909; A61B 2017/0023; A61B 2017/2925; A61B 17/00; A61B 17/32; A61B 17/3213; A61B 17/29; A61B 2017/2927; A61B 34/71; A61B 34/70; A61B 17/00234; A61B 17/00491; A61B

DESCRIPTION

1. HANDLE FOR SURGICAL INSTRUMENT
FIG. 1.1 is a perspective view of a HANDLE FOR SURGICAL INSTRUMENT;
FIG. 1.2 is a front elevational view thereof;
FIG. 1.3 is a rear elevational view thereof;
FIG. 1.4 is a left side elevational view thereof;
FIG. 1.5 is a right side elevational view thereof;
FIG. 1.6 is a top plan view thereof; and
FIG. 1.7 is a bottom plan view thereof.
The broken lines shown in FIGS. 1.1-1.7 illustrate portions of the HANDLE FOR SURGICAL INSTRUMENT that form no part of the claimed design.

1 Claim, 7 Drawing Sheets



(56)

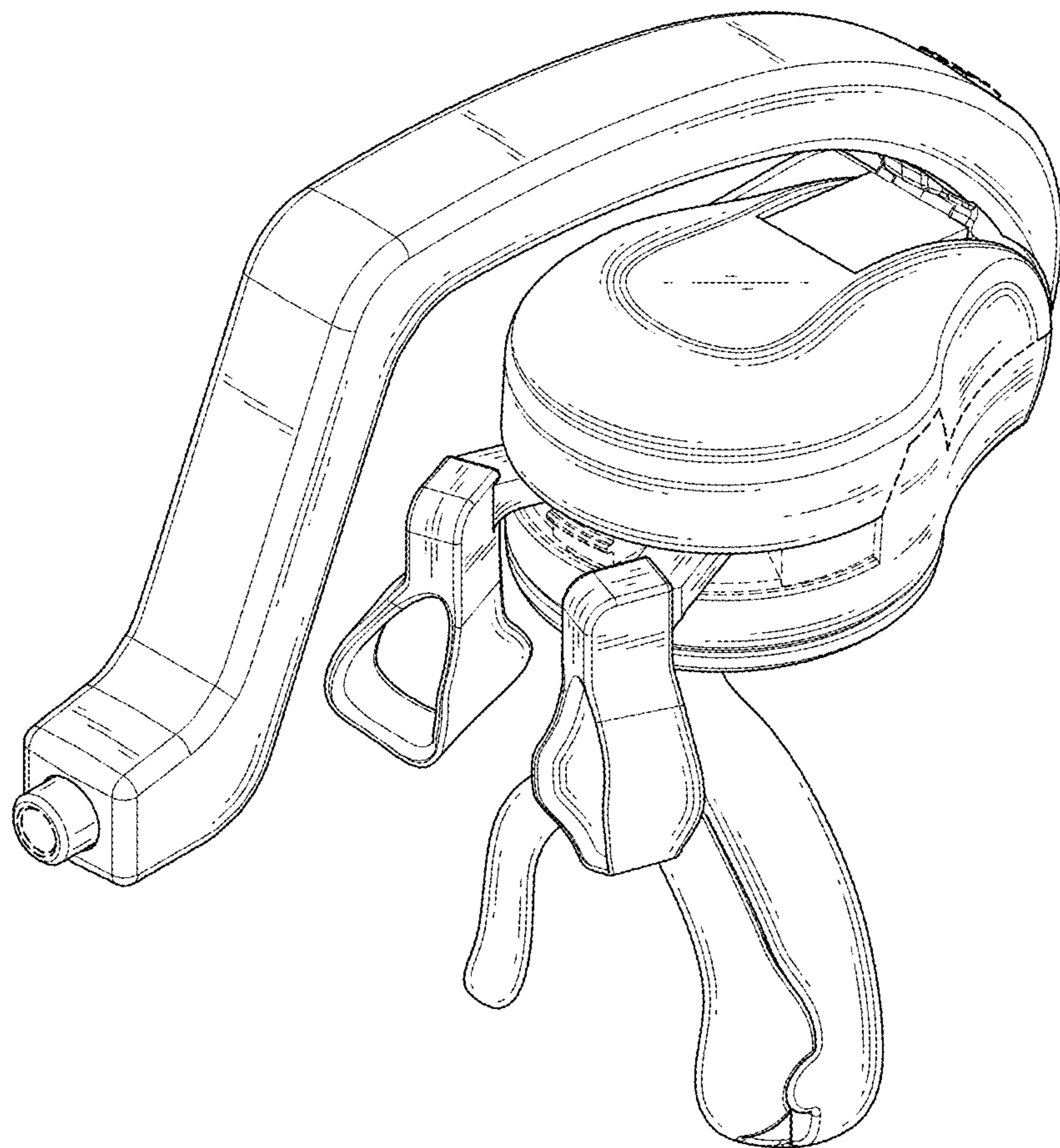
References Cited

U.S. PATENT DOCUMENTS

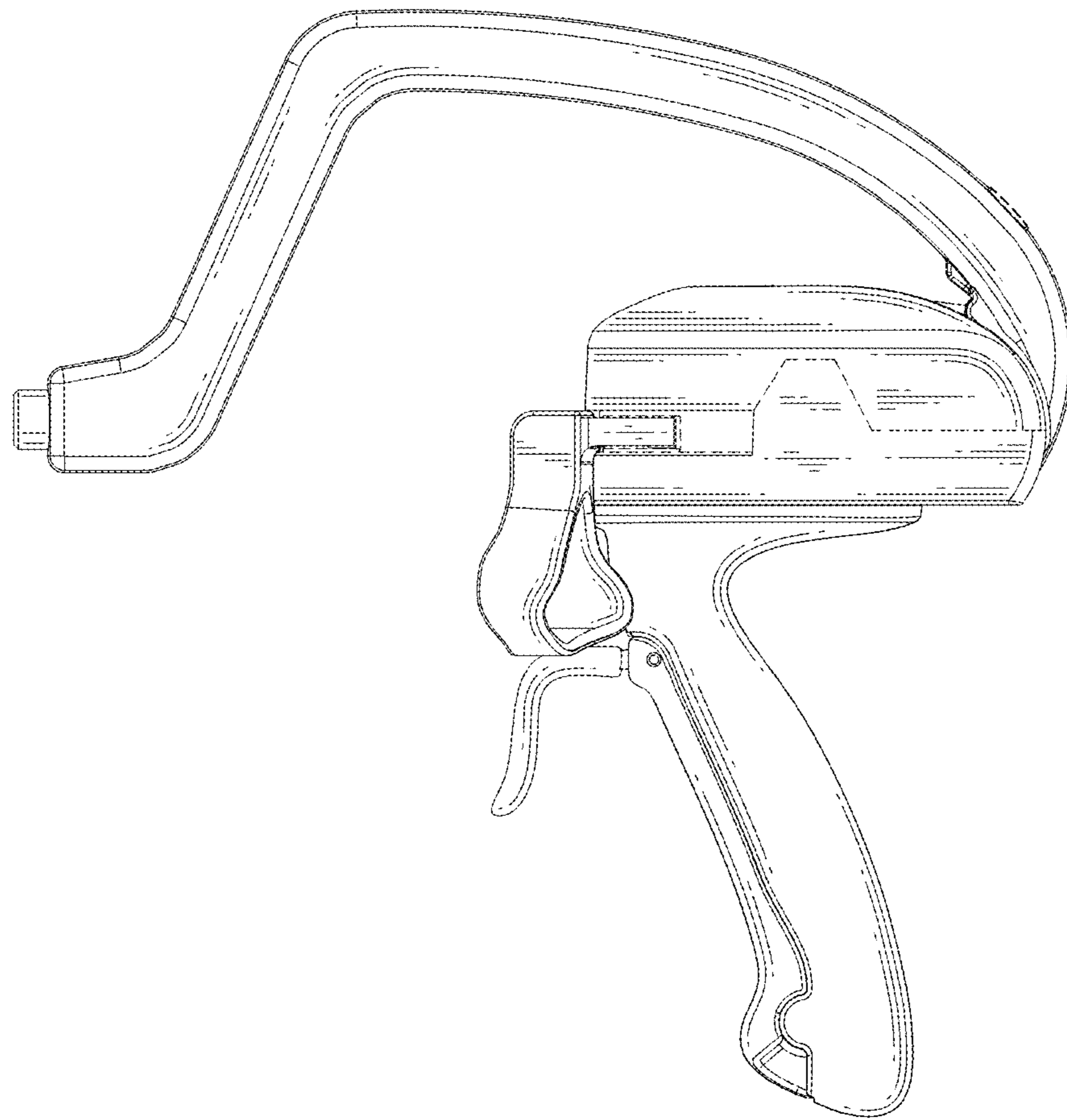
D717,949 S	*	11/2014	Peschke	D24/133
D724,727 S	*	3/2015	Lubensky	D24/133
D745,146 S	*	12/2015	Hess	D24/133
D777,914 S	*	1/2017	Wapler	D24/133
D844,896 S	*	4/2019	Levi	D28/44.1

* cited by examiner

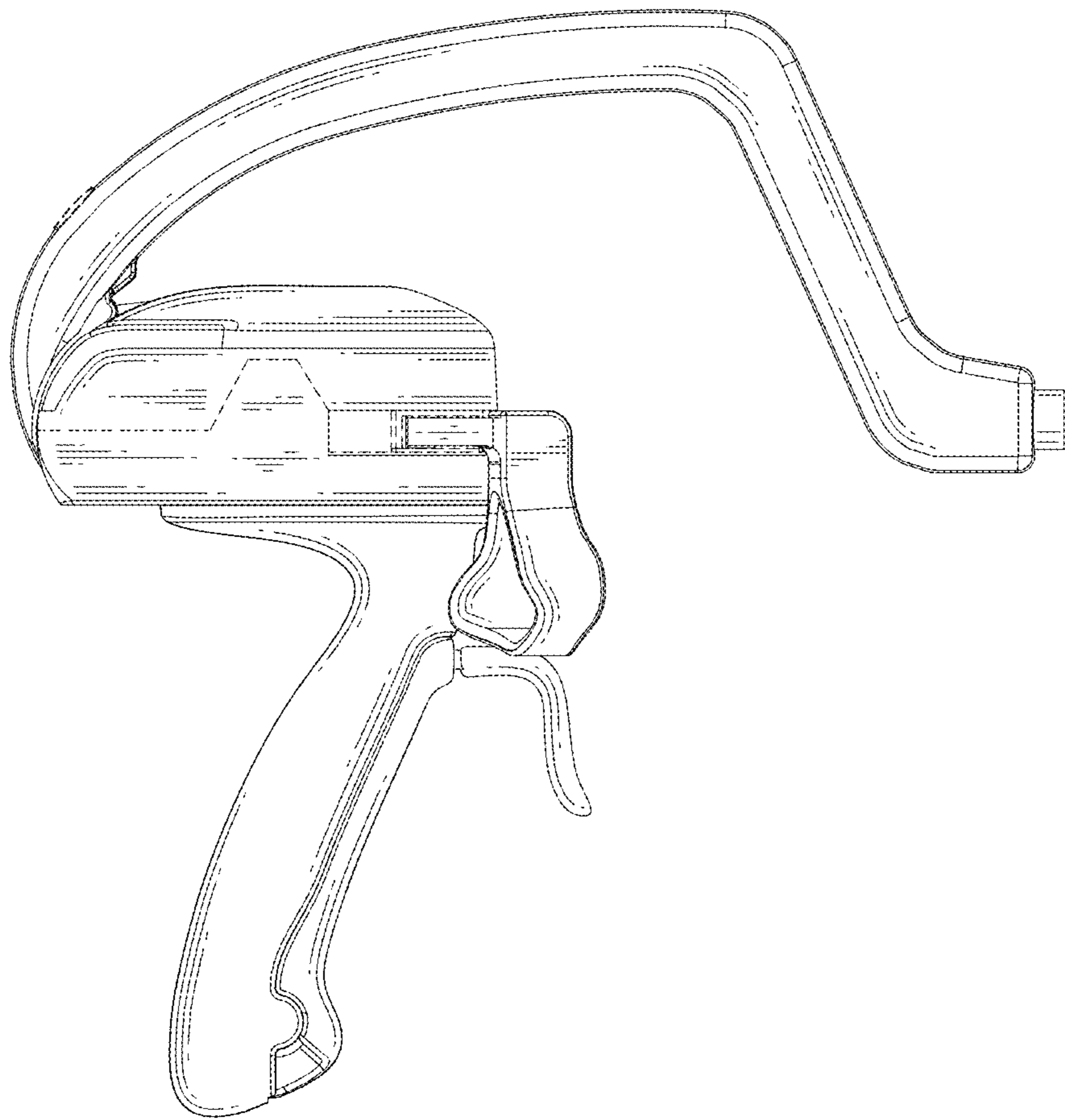
1.1



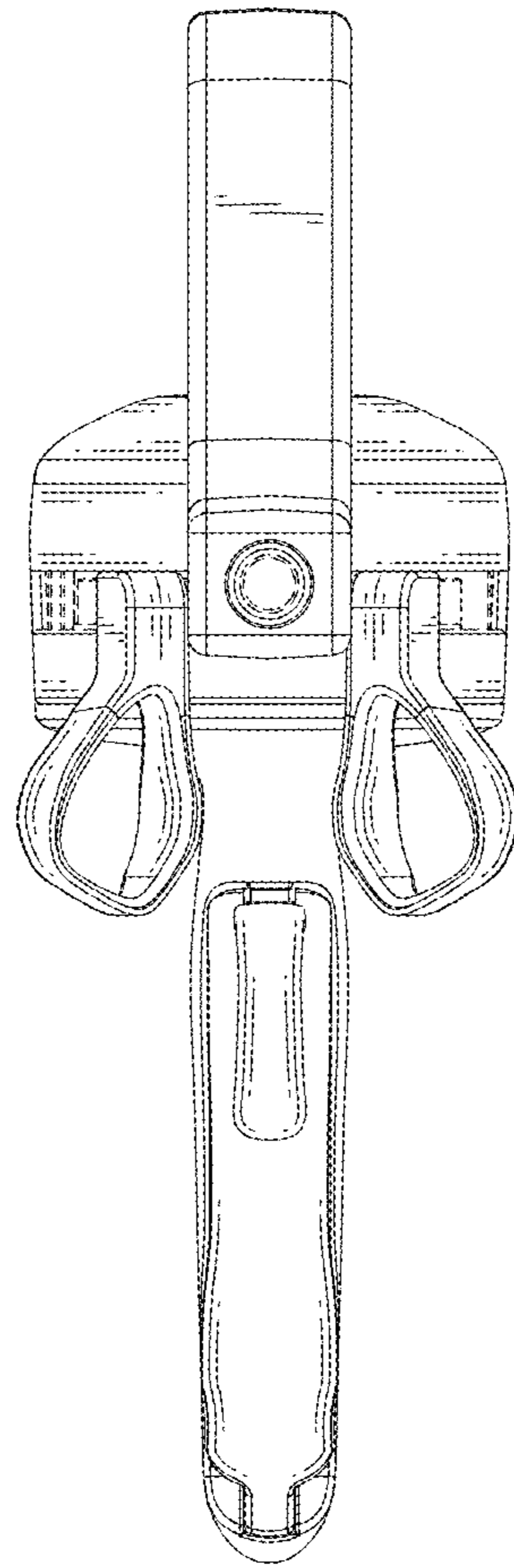
1.2



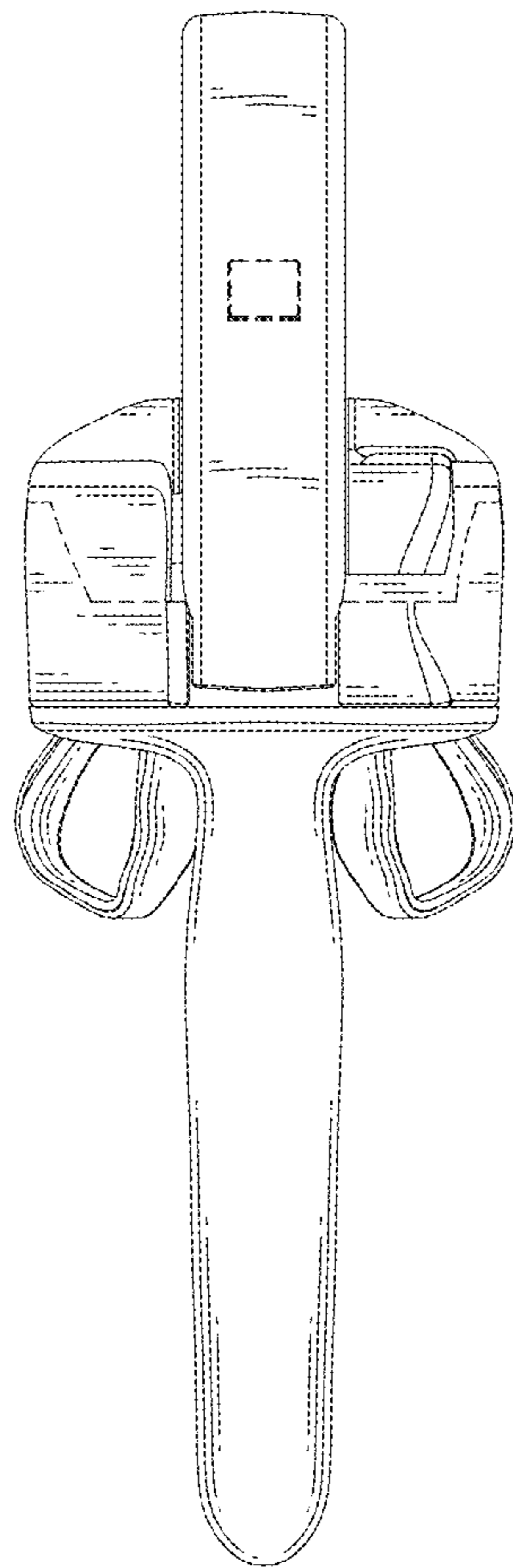
1.3



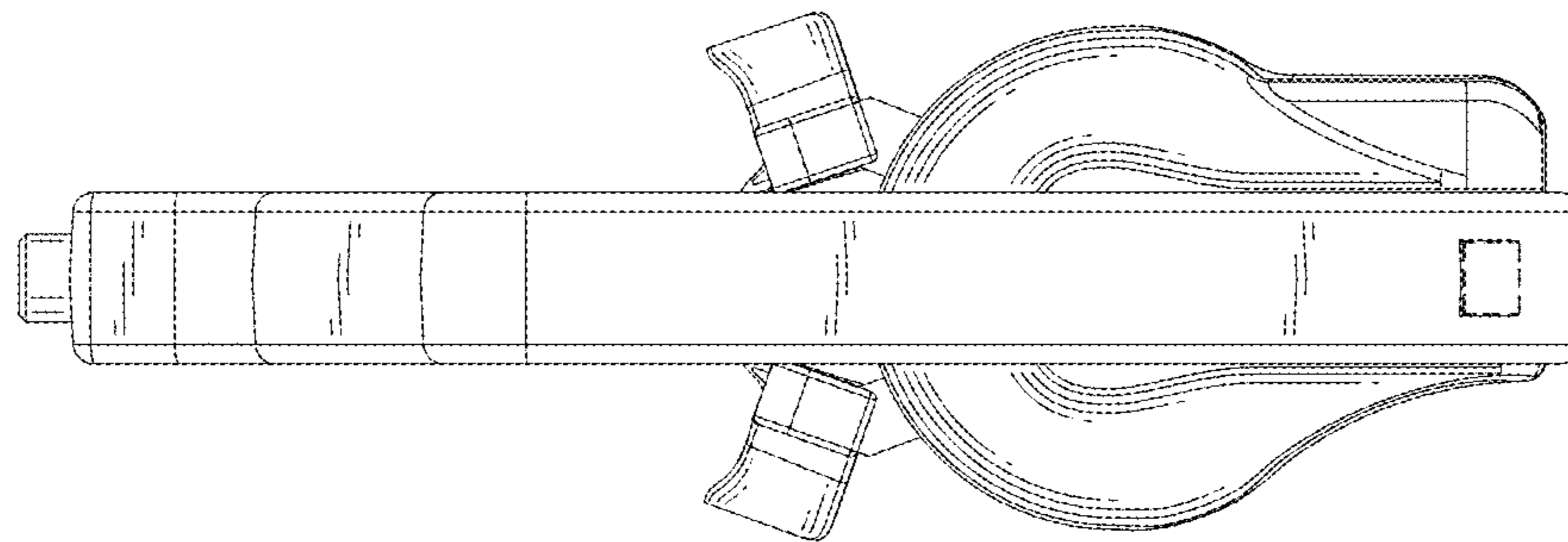
1.4



1.5



1.6



1.7

