



US00D910171S

(12) **United States Design Patent** (10) **Patent No.:** **US D910,171 S**
Turturro et al. (45) **Date of Patent:** **** Feb. 9, 2021**

(54) **ENTERAL FEEDING VALVE** 8,246,605 B2 * 8/2012 Valaie A61M 39/0606
604/533
(71) Applicant: **Medline Industries, Inc.**, Northfield, IL D673,674 S * 1/2013 Ho D24/129
(US) D682,423 S * 5/2013 Becker D24/133
8,435,210 B2 * 5/2013 Zinger A61J 1/2096
(72) Inventors: **Michael Turturro**, Arlington Heights, IL (US); **Olivia Wilcox**, Libertyville, IL 604/82
(US) 8,657,800 B2 * 2/2014 Ho A61M 16/0816
604/319
8,777,930 B2 * 7/2014 Swisher A61J 15/0026
604/533
(73) Assignee: **Medline Industries, Inc.**, Northfield, IL D736,924 S * 8/2015 Oberlaender D24/146
(US) (Continued)

(**) Term: **15 Years**

(21) Appl. No.: **29/743,071**

(22) Filed: **Jul. 17, 2020**

Related U.S. Application Data

(62) Division of application No. 29/624,828, filed on Nov. 3, 2017, now Pat. No. Des. 894,378.

(51) **LOC (13) Cl.** **24-02**

(52) **U.S. Cl.**
USPC **D24/129**

(58) **Field of Classification Search**
USPC D24/127-131, 112-114, 133, 186;
606/181, 185; 604/264, 523-528, 272,
604/187, 158, 164.01-164.11, 181, 184,
604/227; 600/101, 139, 143;
128/200.24, 207.14, 207.15
CPC .. A61M 25/065; A61M 5/42; A61M 25/0612;
A61M 25/00; A61M 39/00; A61M 27/00;
A61M 25/0043; A61M 25/0067; A61M
25/0097; A61F 2/958

See application file for complete search history.

(56) **References Cited**

U.S. PATENT DOCUMENTS

D483,487 S * 12/2003 Harding D24/129
7,914,519 B2 * 3/2011 Moran A61M 39/0693
604/534

OTHER PUBLICATIONS

“ENFit Lopez Valve,” ICU Medical product, <http://www.icumed.com/products/specialty/enteral-feeding/enfit-lopez-valve.aspx>, publicly available at least as of Oct. 23, 2017.

(Continued)

Primary Examiner — David G Muller

(74) *Attorney, Agent, or Firm* — Fitch, Even, Tabin & Flannery LLP

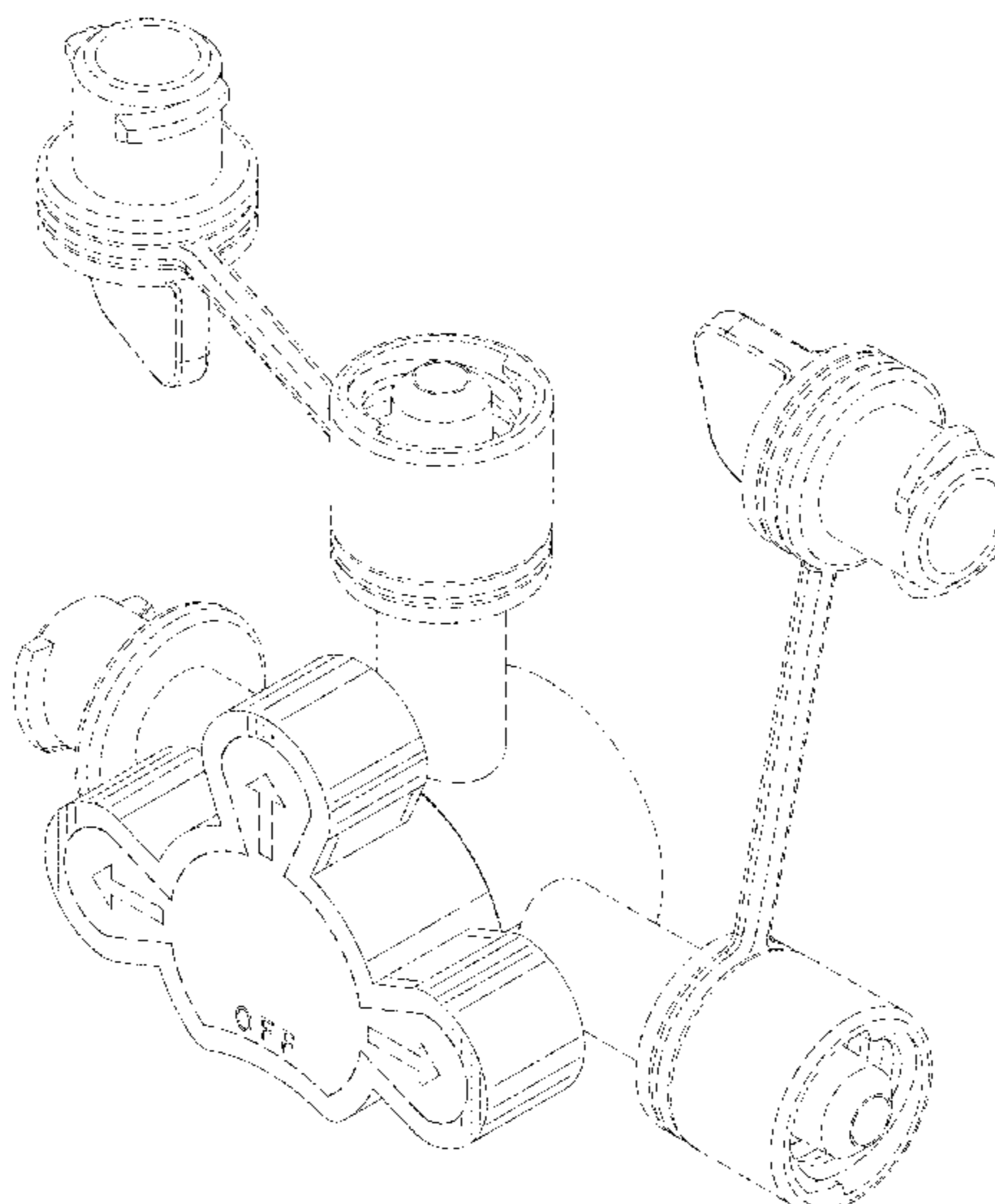
(57) **CLAIM**

The ornamental design for an enteral feeding valve, as shown and described.

DESCRIPTION

FIG. 1 is a front perspective view of an enteral feeding valve showing our new design;
FIG. 2 is a rear perspective view thereof;
FIG. 3 is a front elevation view thereof;
FIG. 4 is a rear elevation view thereof;
FIG. 5 is a top plan view thereof;
FIG. 6 is a bottom plan view thereof;
FIG. 7 is a right side elevation view thereof; and,
FIG. 8 is a left side elevation view thereof.
The broken lines depict unclaimed portions of the enteral feeding valve and form no part of the claimed design.

1 Claim, 8 Drawing Sheets



(56)

References Cited

U.S. PATENT DOCUMENTS

D849,936 S * 5/2019 Allard D24/129
D849,937 S * 5/2019 Whitaker D24/129
2002/0017328 A1* 2/2002 Loo F16K 11/085
137/625.47
2003/0153897 A1* 8/2003 Russo A61M 39/045
604/537

OTHER PUBLICATIONS

“Lopez Valve Closed Enteral Tube Valve,” ICU Medical product,
<http://www.icumed.com/products/specialty/enteral-feeding/lopez-enteral-valve.aspx>, currently believed to be publicly available at least as of Sep. 2, 2017.

* cited by examiner

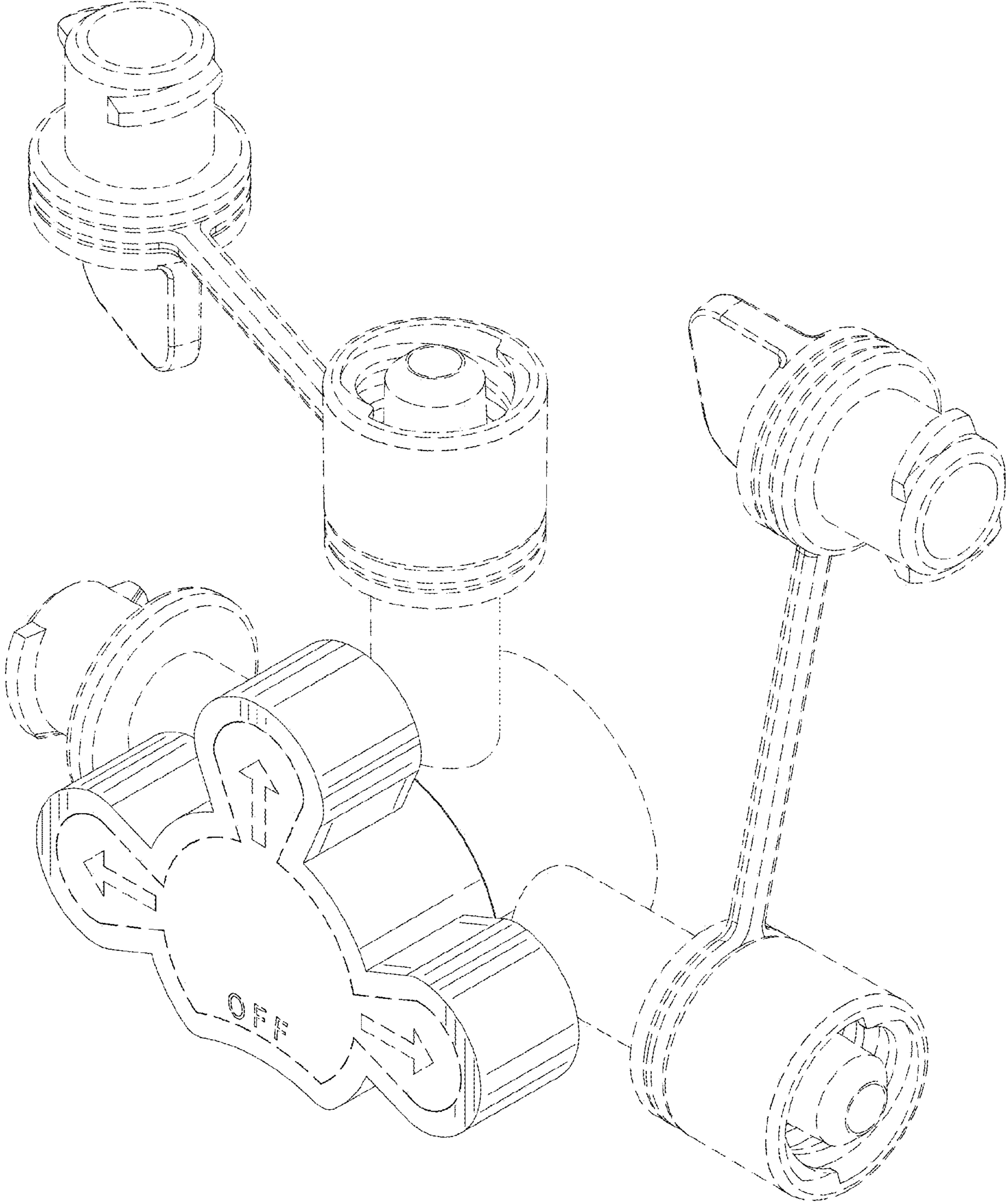


FIG. 1

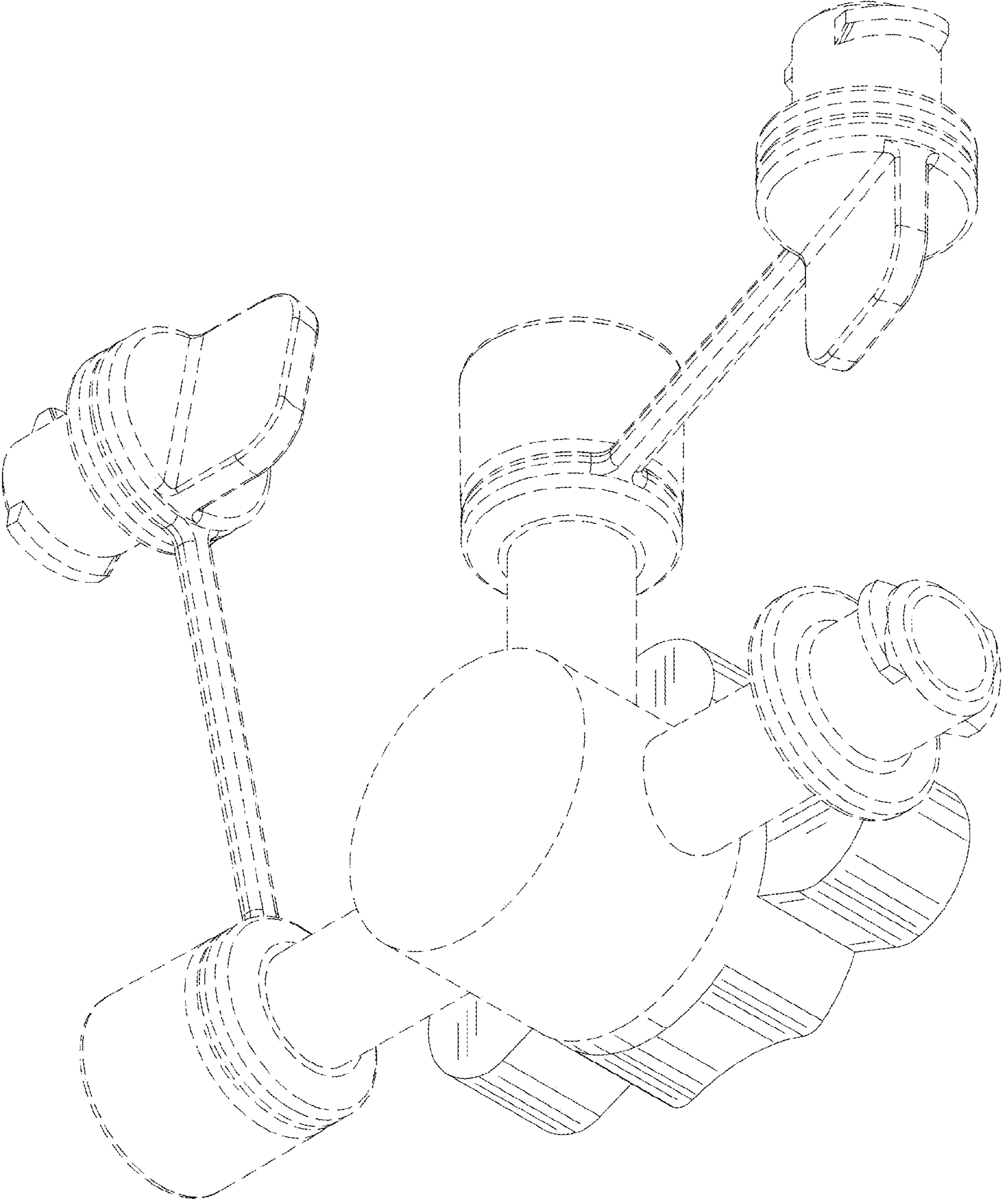


FIG. 2

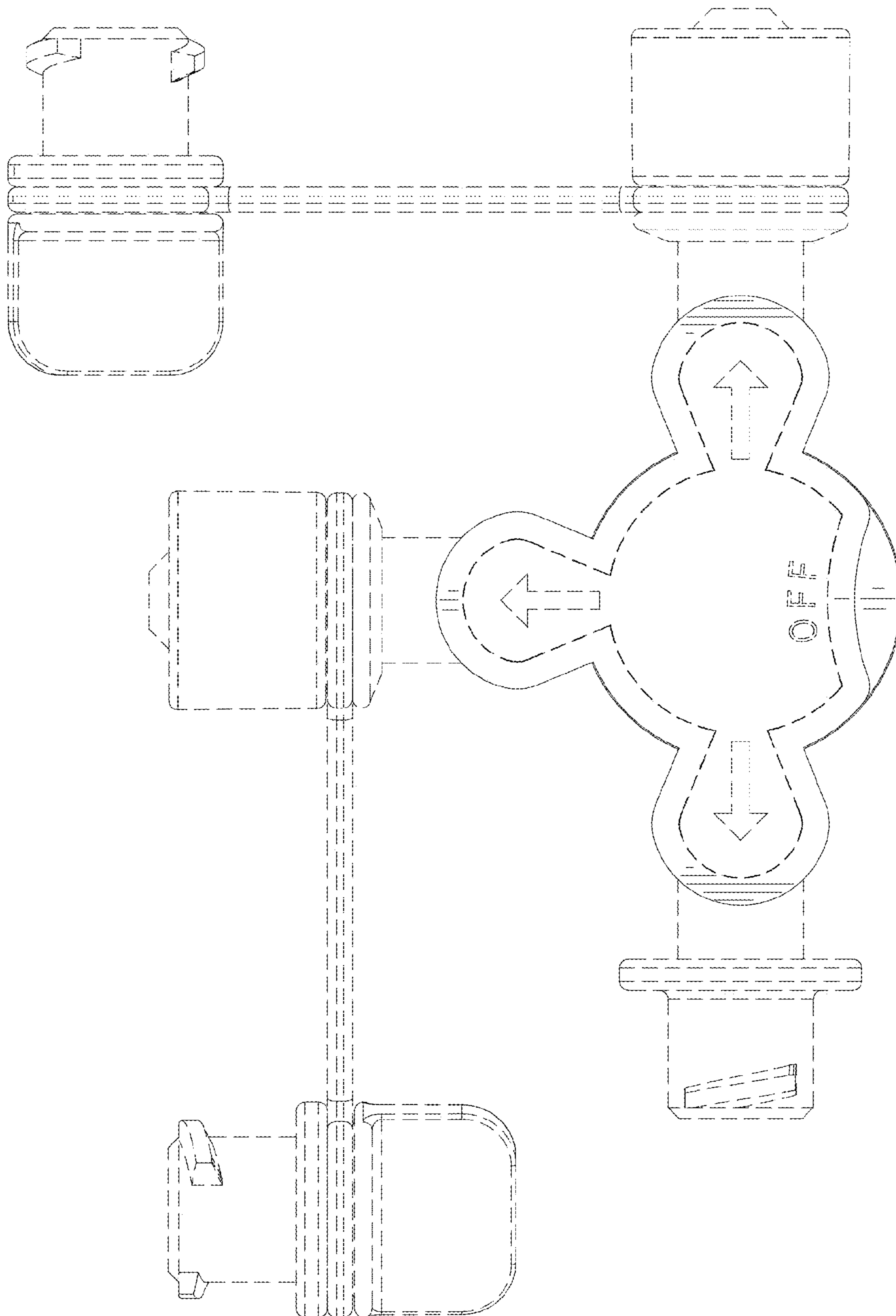


FIG. 3

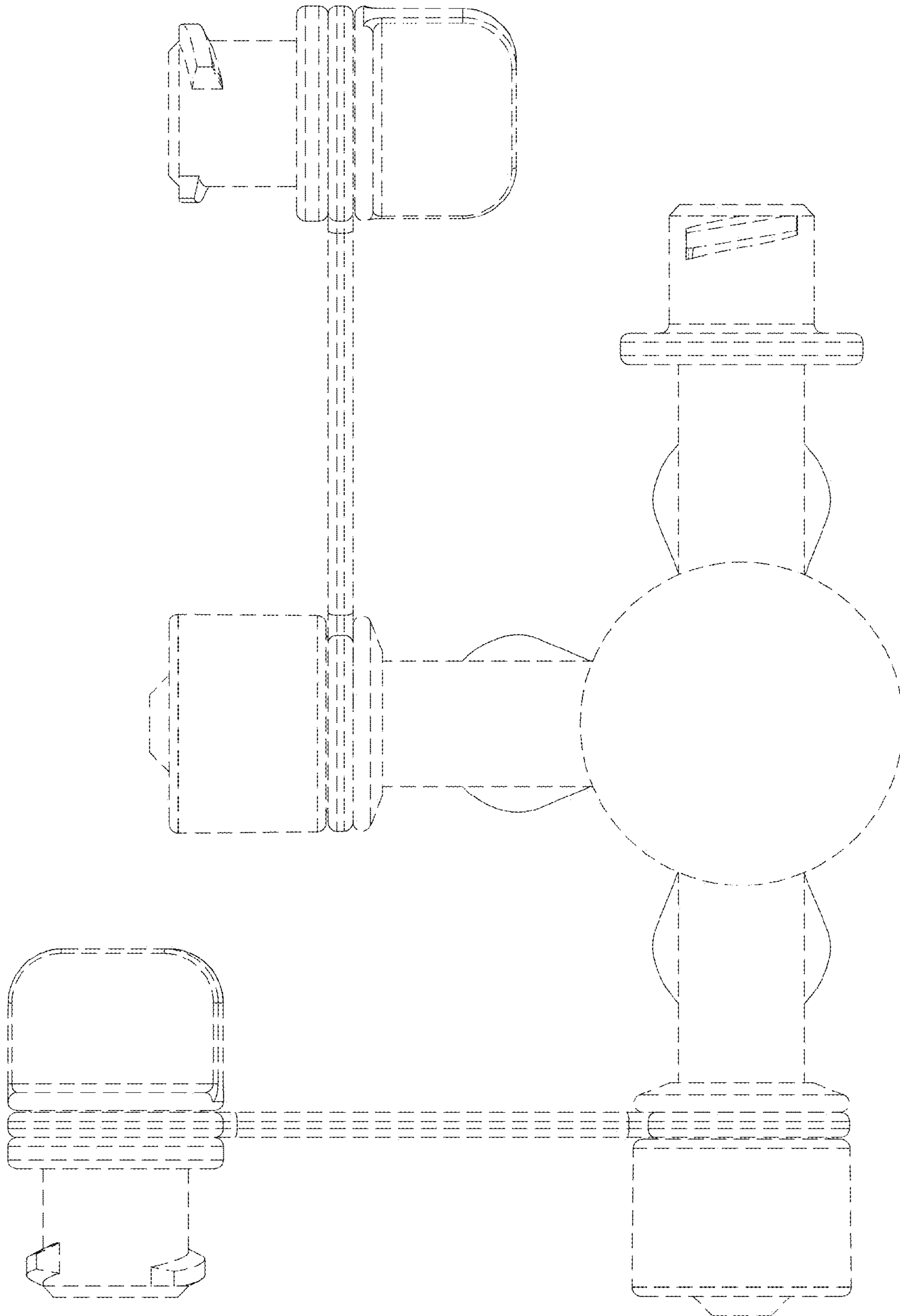


FIG. 4

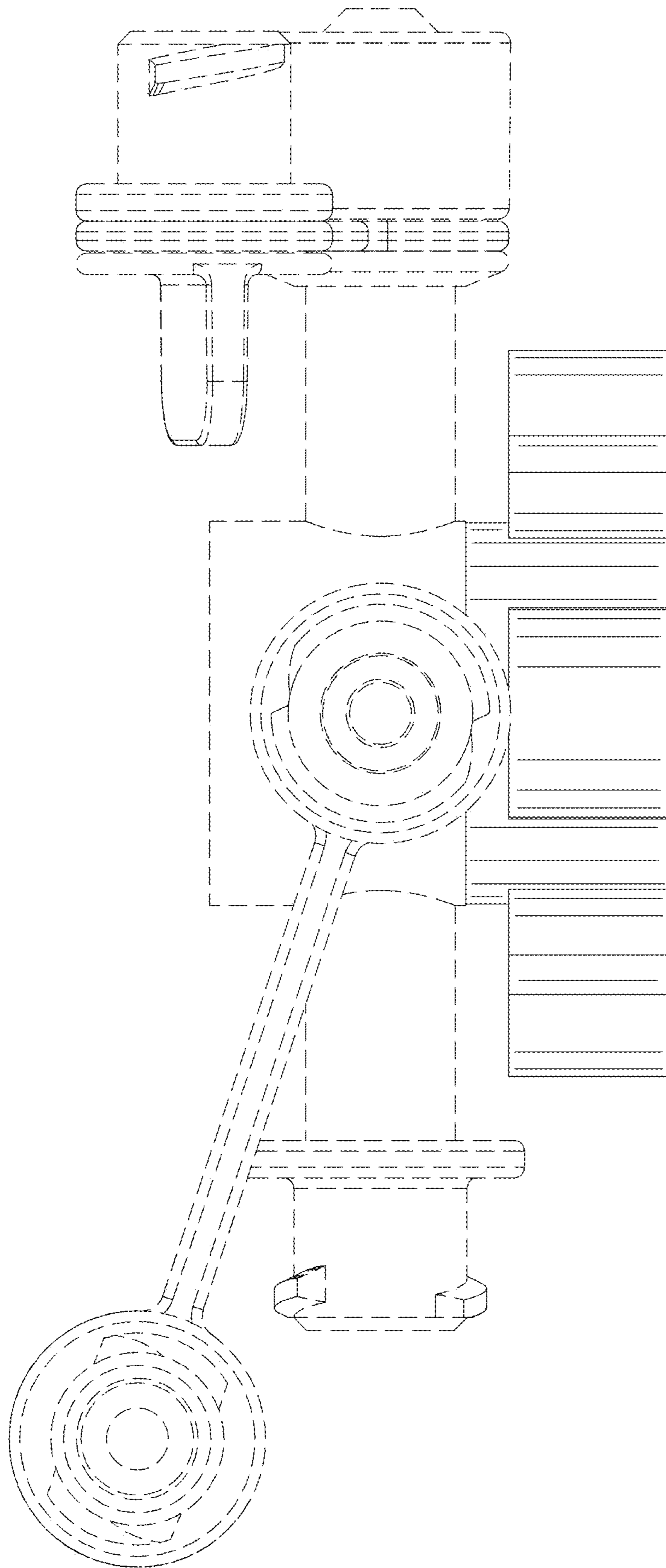


FIG. 5

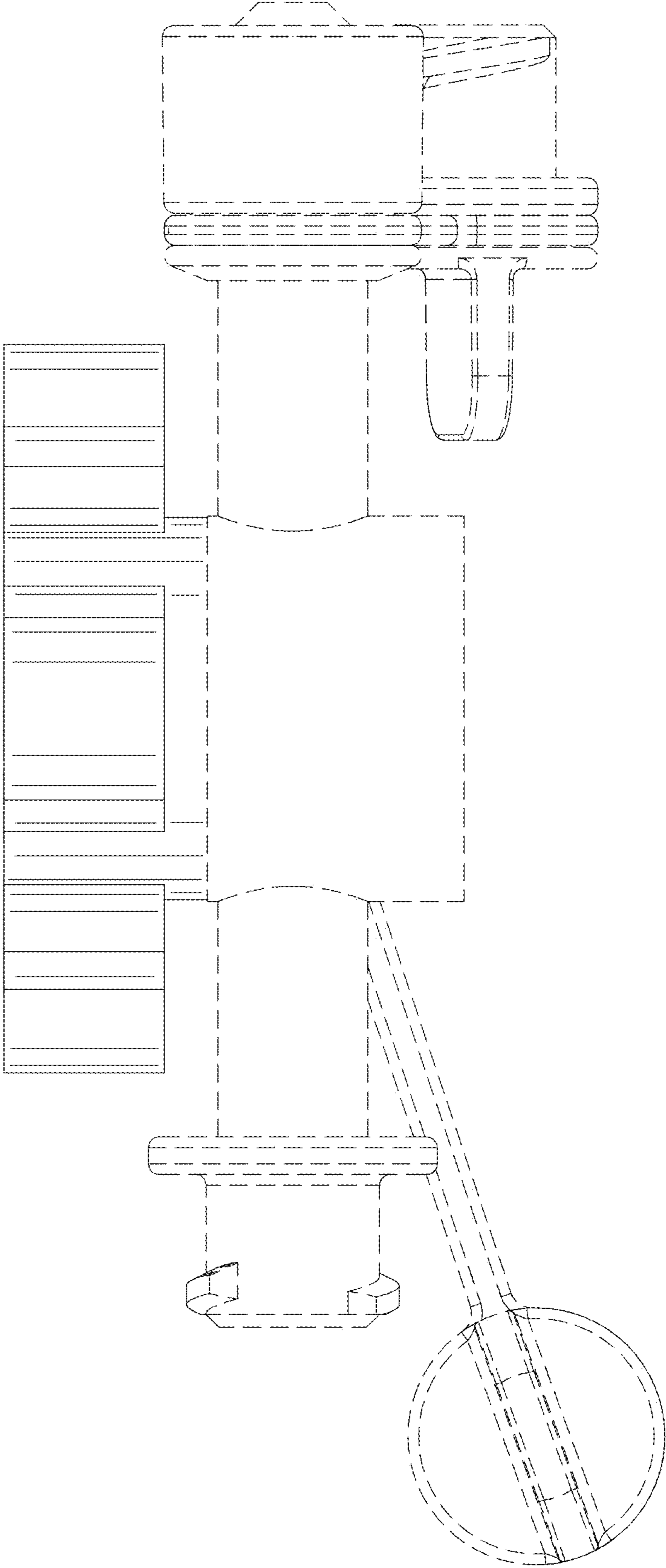


FIG. 6

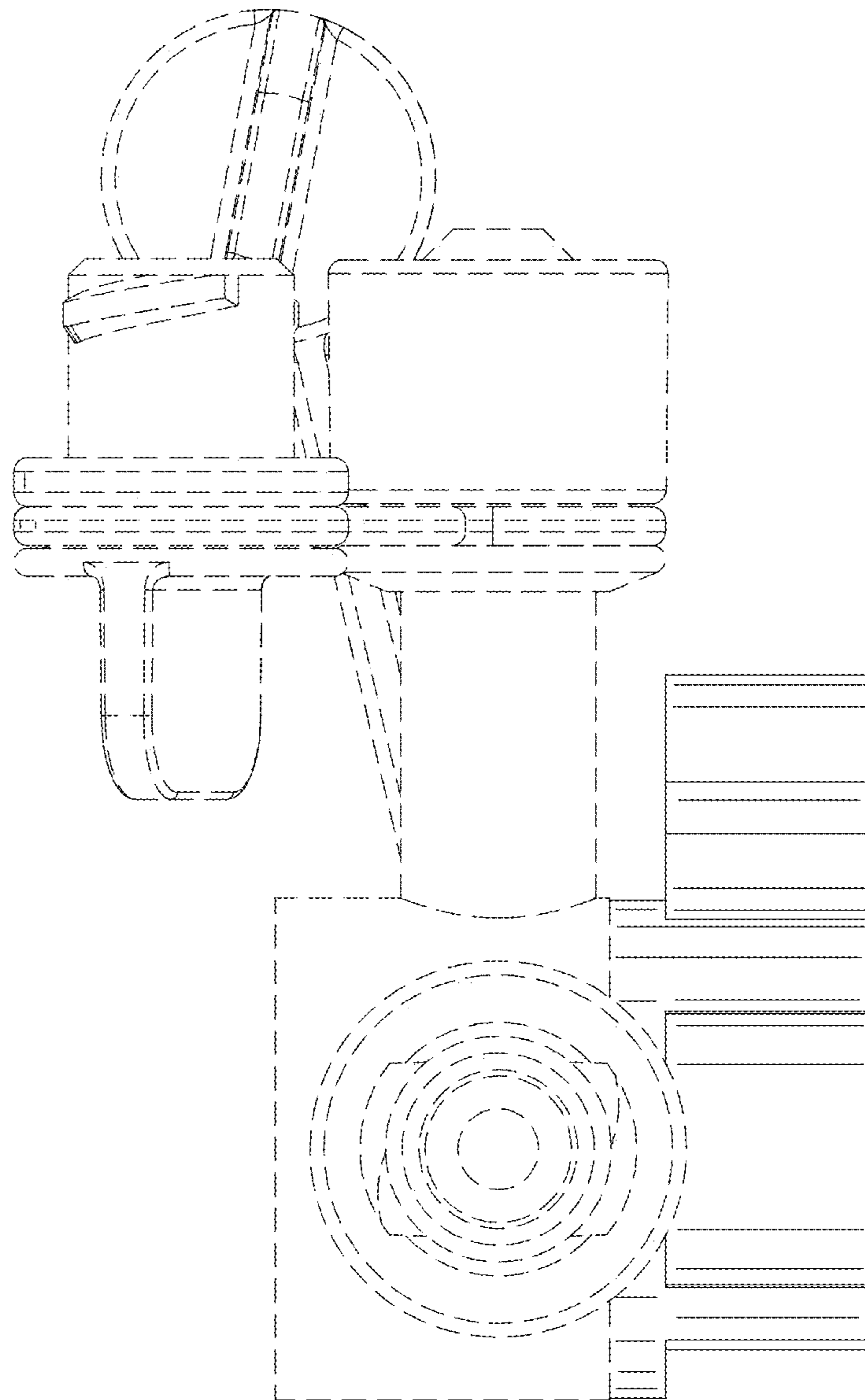


FIG. 7

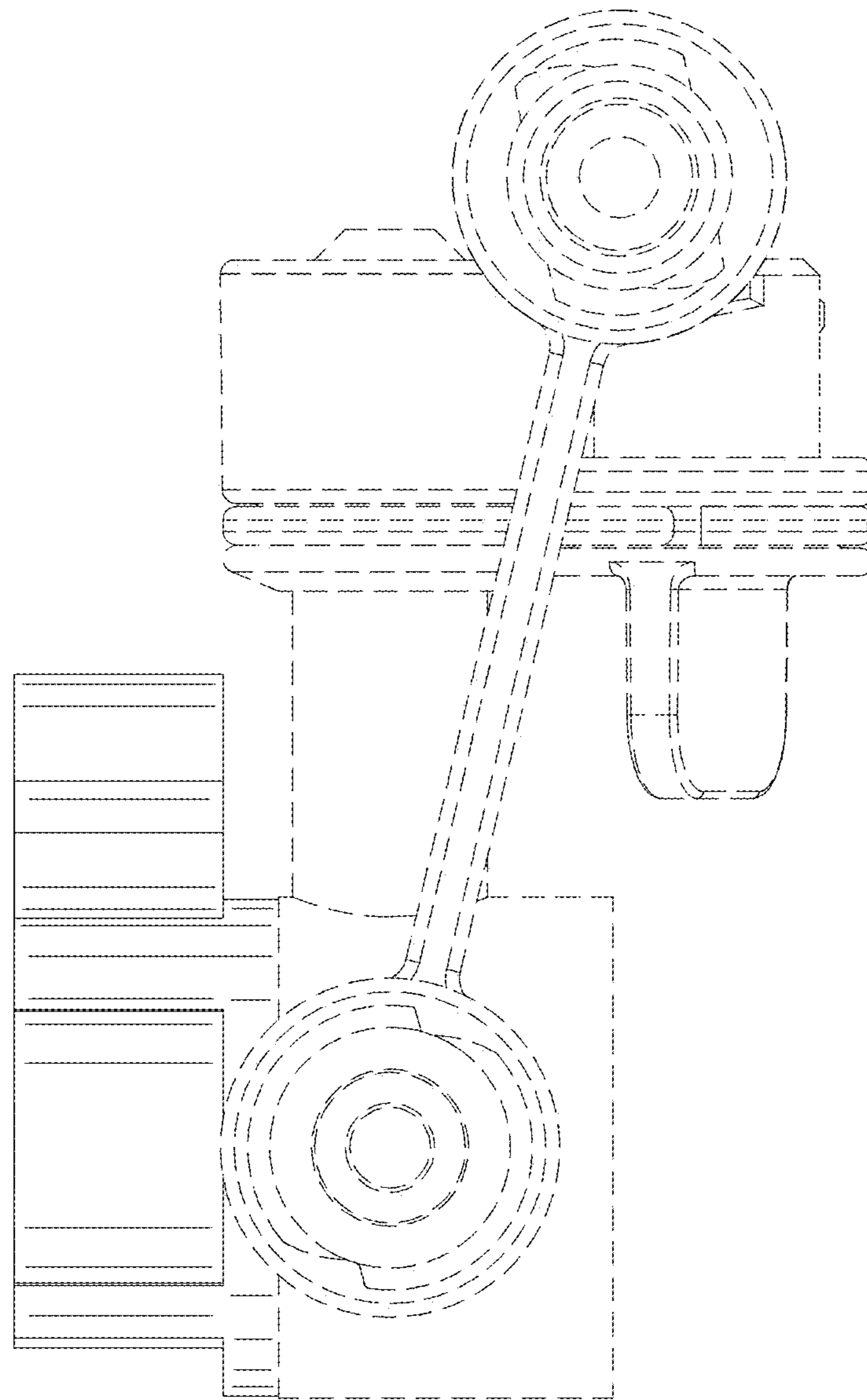


FIG. 8