



US00D910170S

(12) **United States Design Patent** (10) **Patent No.:** **US D910,170 S**
Scalise et al. (45) **Date of Patent:** **** Feb. 9, 2021**

(54) **OSTOMY POUCH OUTLET**

(71) Applicant: **Hollister Incorporated**, Libertyville, IL (US)

(72) Inventors: **Anthony Scalise**, Plainfield, IL (US); **Jan Torstensen**, Virum (DK); **Brock E. Masters**, Des Plaines, IL (US); **Claire O’Grady**, Castlebar (IE); **Elizabeth M. Starck**, Villiage of Lakewood, IL (US); **Ashish Trivedi**, Gurnee, IL (US); **Alexander Nikon**, Arlington Heights, IL (US); **Sara Wegener**, Libertyville, IL (US)

(73) Assignee: **Hollister Incorporated**, Libertyville, IL (US)

(**) Term: **15 Years**

(21) Appl. No.: **29/688,298**

(22) Filed: **Apr. 19, 2019**

(51) **LOC (13) Cl.** **24-02**

(52) **U.S. Cl.**

USPC **D24/129; D24/127; D24/112**

(58) **Field of Classification Search**

USPC D24/107, 108, 110, 110.4–110.6, D24/111–115, 117–122, 123, 130, 133, D24/141, 152, 186, 215, 116, 216–219, D24/231, 232, 164, 128, 109, 127, 129; D9/436, 439, 440, 447, 723, 435, 444, D9/521, 529, 549, 558, 574, 575, D9/686–694

CPC A61J 1/10; A61J 1/1462; A61J 2200/76; A61J 15/00; A61J 1/05; A61J 1/1406; A61J 1/1475; A61J 1/1481; A61J 1/1487; A61J 1/201; A61J 1/2024; A61J 1/2055; A61J 1/2093; A61J 1/2096; Y10S 128/24; A61B 2050/314; A61B 50/30; B65D 75/5883; B65D 47/18; B65D 83/30

See application file for complete search history.

(56) **References Cited**

U.S. PATENT DOCUMENTS

4,300,560 A 11/1981 Steer et al.
4,618,994 A 10/1986 Bishop
4,668,227 A 5/1987 Kay
4,790,833 A 12/1988 Schmidt

(Continued)

FOREIGN PATENT DOCUMENTS

CN 3208506 * 11/2001
CN 302762172 * 3/2014

(Continued)

OTHER PUBLICATIONS

Hollister SKU 18012 New Image Two-Piece High Output Drainable Ostomy Pouch, Catalog Product Page, 2005, pp. 1-2, Hollister Incorporated, Libertyville, Illinois.

Primary Examiner — T Chase Nelson

Assistant Examiner — Kelly L Gross

(74) *Attorney, Agent, or Firm* — Levenfeld Pearlstein, LLC

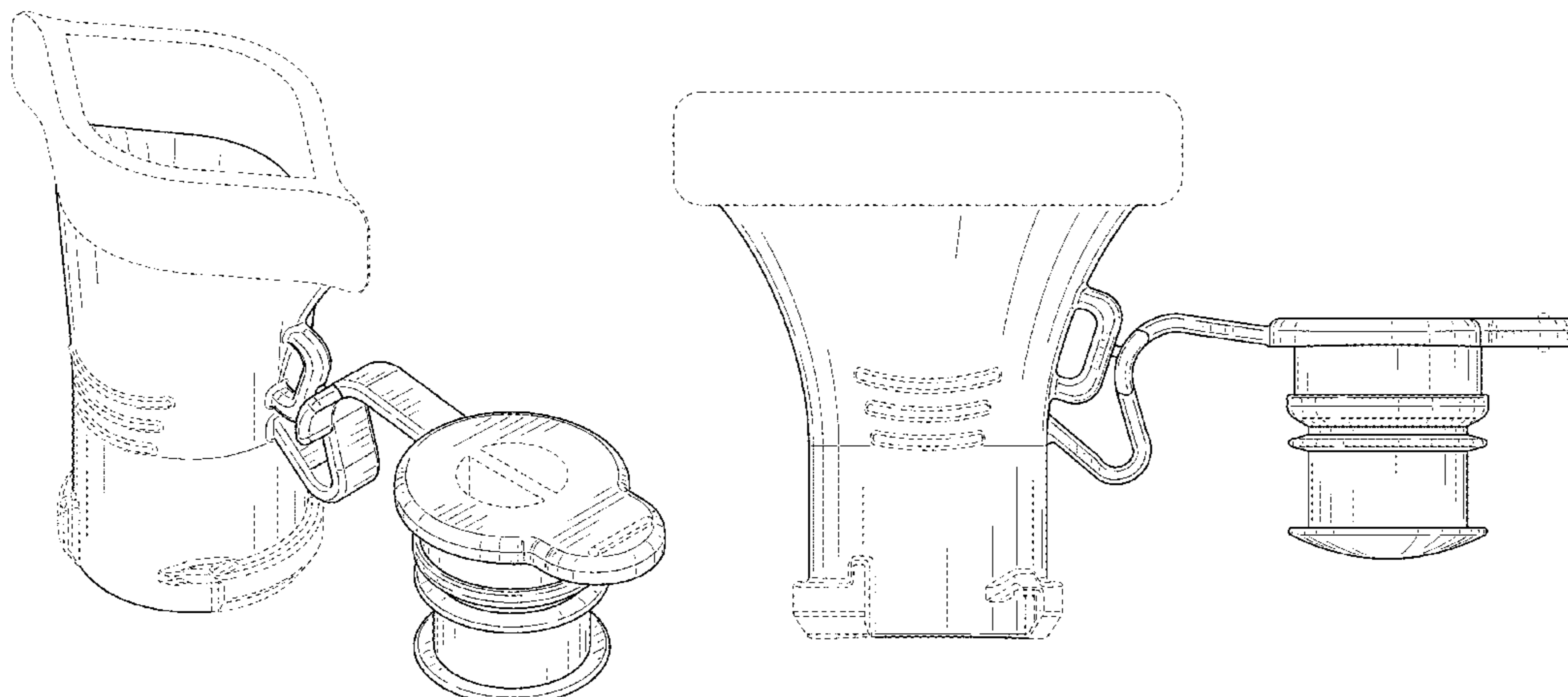
(57) **CLAIM**

The ornamental design for an ostomy pouch outlet, as shown and described.

DESCRIPTION

FIG. 1 is a top, front perspective view of an ostomy pouch outlet embodying our new design; FIG. 2 is a front view thereof; FIG. 3 is a side view thereof as seen from the right-hand side of FIG. 2; FIG. 4 is a side view thereof as seen from the left-hand side of FIG. 2; FIG. 5 is a top view thereof; and, FIG. 6 is a bottom view thereof.

(Continued)



US D910,170 S

Page 2

Portions of the ostomy pouch outlet shown in phantom lines in FIGS. 1-6 form no part of the claimed design.

1 Claim, 4 Drawing Sheets

(56)

References Cited

U.S. PATENT DOCUMENTS

D326,321 S * 5/1992 Schneider D24/112
D375,357 S * 11/1996 Silver D24/129
D437,782 S * 2/2001 Haley D9/440
6,247,616 B1 6/2001 Weiler et al.
6,273,307 B1 * 8/2001 Gross B65D 75/5883
220/613
6,439,429 B1 * 8/2002 Gross B65D 41/34
222/92
D464,262 S * 10/2002 Drennow D9/446
D484,593 S * 12/2003 Baillargeon D24/129
D487,227 S * 3/2004 Haley D9/434
D489,978 S * 5/2004 Brown D9/440
6,860,406 B2 3/2005 Kobetsky et al.
D544,096 S * 6/2007 Walters D24/121
7,232,042 B2 * 6/2007 Last B65D 75/5883
222/1
D578,001 S * 10/2008 Braukmann D9/453
7,850,044 B2 * 12/2010 Hildebrand B29C 66/949
222/107
7,896,857 B2 3/2011 Kay et al.
D640,553 S * 6/2011 Eiteljorg D9/443
D662,202 S * 6/2012 O'Donnell D24/118
D689,187 S * 9/2013 Kruger D24/127
D720,452 S * 12/2014 Jordan D24/130
8,945,076 B2 2/2015 Friske
D724,198 S * 3/2015 Oostman D24/110.6
D730,730 S * 6/2015 Haley D9/440
D732,664 S * 6/2015 Woehr D24/130
D736,914 S * 8/2015 Schultz D24/129
D737,436 S * 8/2015 Lev D24/129
9,333,110 B2 5/2016 March et al.
D781,417 S * 3/2017 Ingram D24/127
D784,526 S * 4/2017 Grunhut D24/127
D785,170 S * 4/2017 Swisher D24/129
9,611,079 B2 * 4/2017 Mazurkiewicz ... B65D 41/0421
9,629,779 B2 4/2017 Grum-Schwensen
D791,724 S * 7/2017 Becker D24/129
D791,938 S * 7/2017 Becker D24/129
9,701,451 B2 * 7/2017 Skillin B65D 47/0838
D797,927 S * 9/2017 Schuessler B65D 75/5883
D24/129
D797,942 S * 9/2017 Krauss B29C 66/232
D24/186
9,751,677 B2 * 9/2017 Fiere B65D 51/18
D802,124 S * 11/2017 Guala D24/129

D803,048 S * 11/2017 Ploeger D9/435
D804,660 S * 12/2017 Shoji D24/129
D804,661 S * 12/2017 Shoji B65D 41/34
D24/129
D805,193 S * 12/2017 Shoji D24/129
9,993,364 B2 6/2018 Fernandez et al.
D834,712 S * 11/2018 Gulliver D24/129
D842,460 S * 3/2019 Gierse D24/127
D842,462 S * 3/2019 Guala D24/129
D845,474 S * 4/2019 Gloria Bello B65D 75/5883
D24/129
10,370,166 B2 * 8/2019 Moretti B65D 75/5883
10,442,582 B1 * 10/2019 Ekkert B29C 66/232
10,486,880 B2 * 11/2019 Franca B29C 66/114
10,501,241 B2 * 12/2019 Berge B65D 47/122
D887,577 S * 6/2020 Shor B65D 47/0838
D24/227
10,669,076 B2 * 6/2020 Van Der Molen B65D 41/34
10,688,295 B2 * 6/2020 Lev A61M 39/105
D891,613 S * 7/2020 Choate A61J 15/0092
D24/119
D892,319 S * 8/2020 Park A61M 39/20
D24/129
D896,372 S * 9/2020 Julian D24/129
10,829,286 B2 * 11/2020 Murray B65B 43/26
D903,898 S * 12/2020 Nagy B65B 43/26
D24/224
2002/0077611 A1 6/2002 Von Dyck
2007/0265588 A1 11/2007 Pedersen
2008/0183153 A1 * 7/2008 Enns A61M 39/20
604/533
2009/0209926 A1 8/2009 Cochran
2010/0185159 A1 * 7/2010 Bagwell A61J 15/0092
604/256
2012/0016318 A1 * 1/2012 Hoang A61M 39/165
604/288.01
2014/0350500 A1 11/2014 Joseph
2015/0126946 A1 5/2015 Fernandez
2016/0089528 A1 * 3/2016 Schuessler A61M 39/10
604/535

FOREIGN PATENT DOCUMENTS

DE 60217026 T2 7/2007
EP 1214028 B1 7/2004
EP 1284223 B1 12/2006
EP 1059902 B1 7/2008
EP 2214749 A1 8/2010
EP 2554142 B1 11/2016
GB 2508557 B 4/2017
WO 2011109079 A1 9/2011
WO 2012071406 A1 5/2012
WO 2013038132 A1 3/2013
WO 2015048446 A1 4/2015
WO 2018098242 A1 5/2018

* cited by examiner

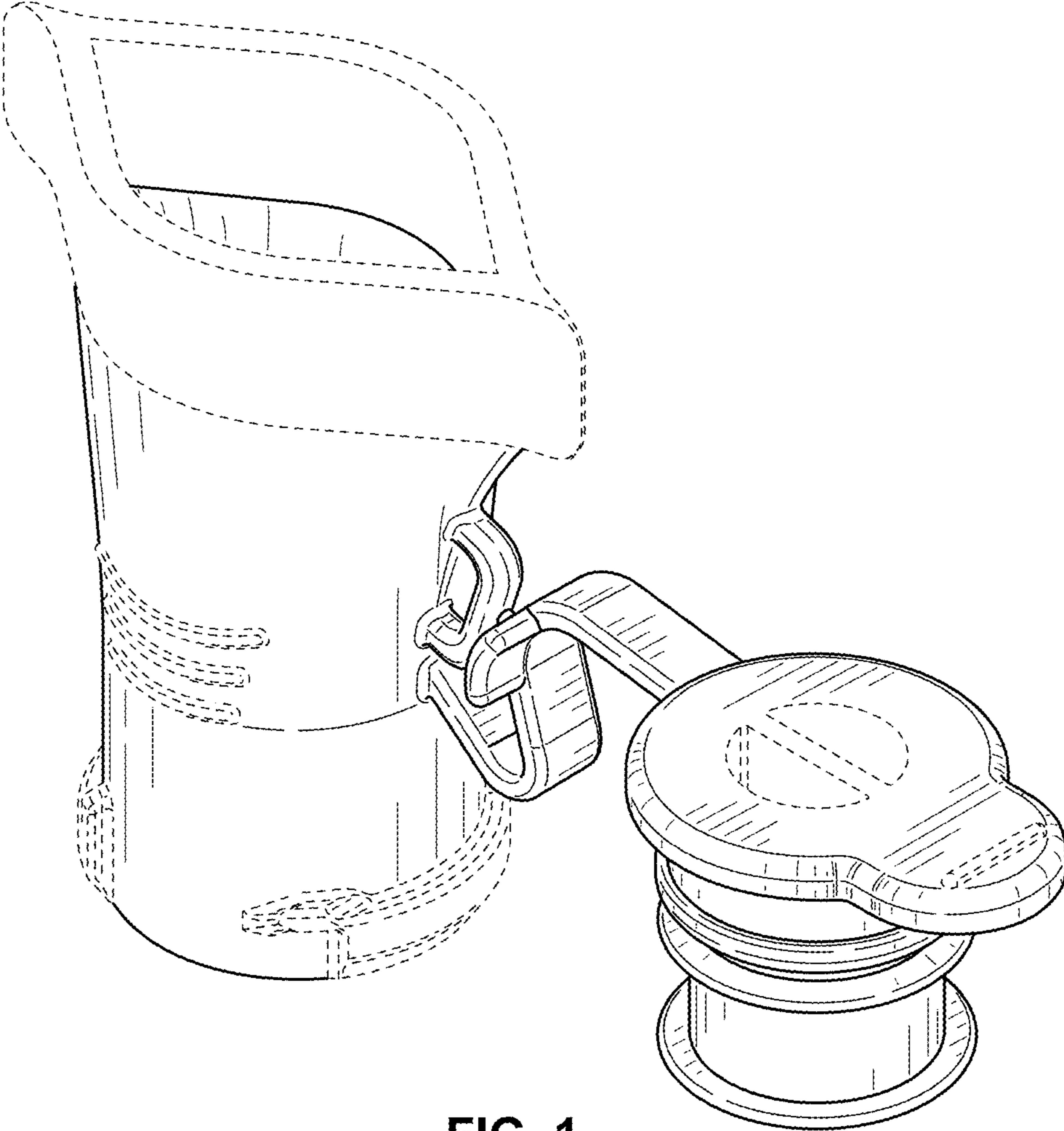


FIG. 1

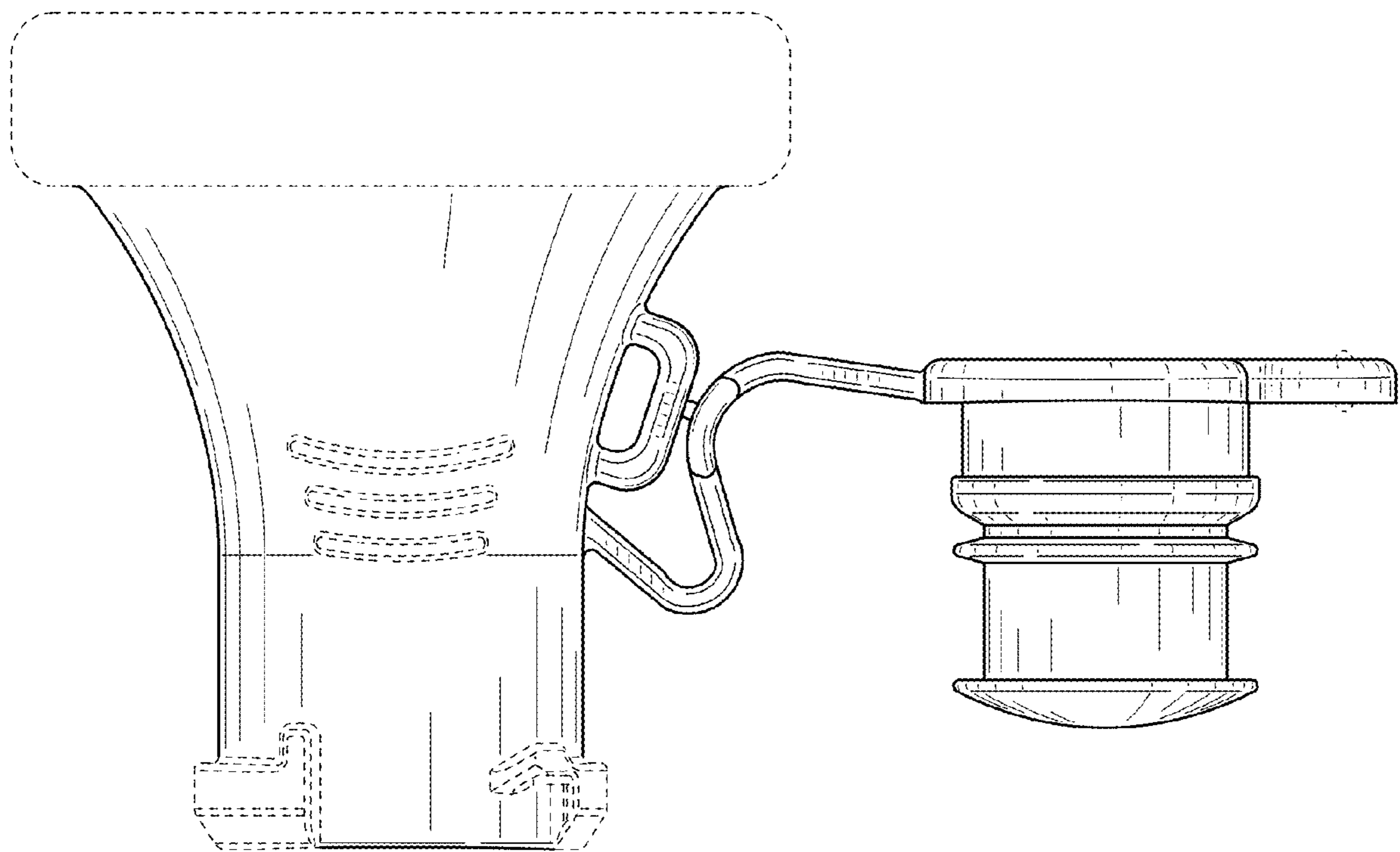


FIG. 2

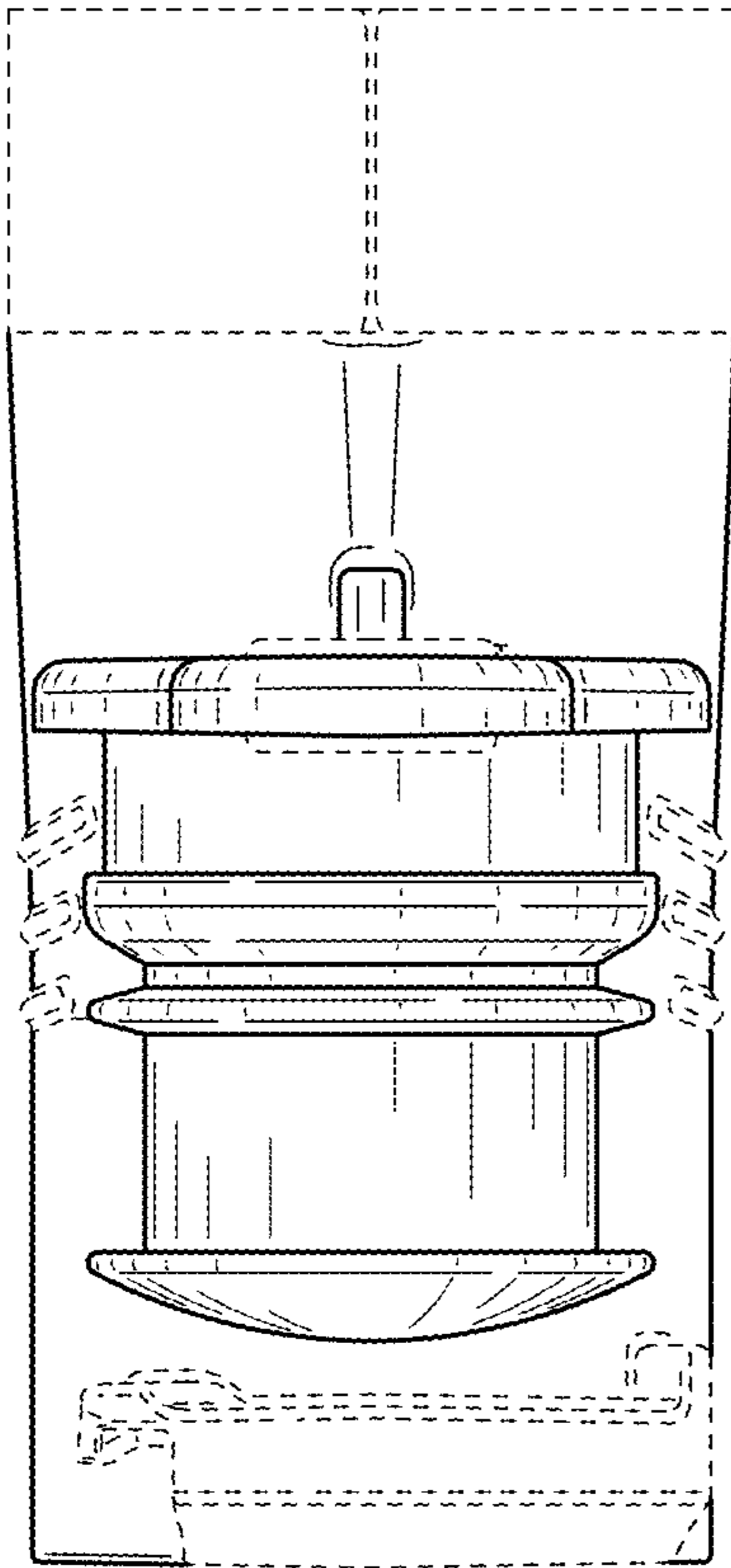


FIG. 3

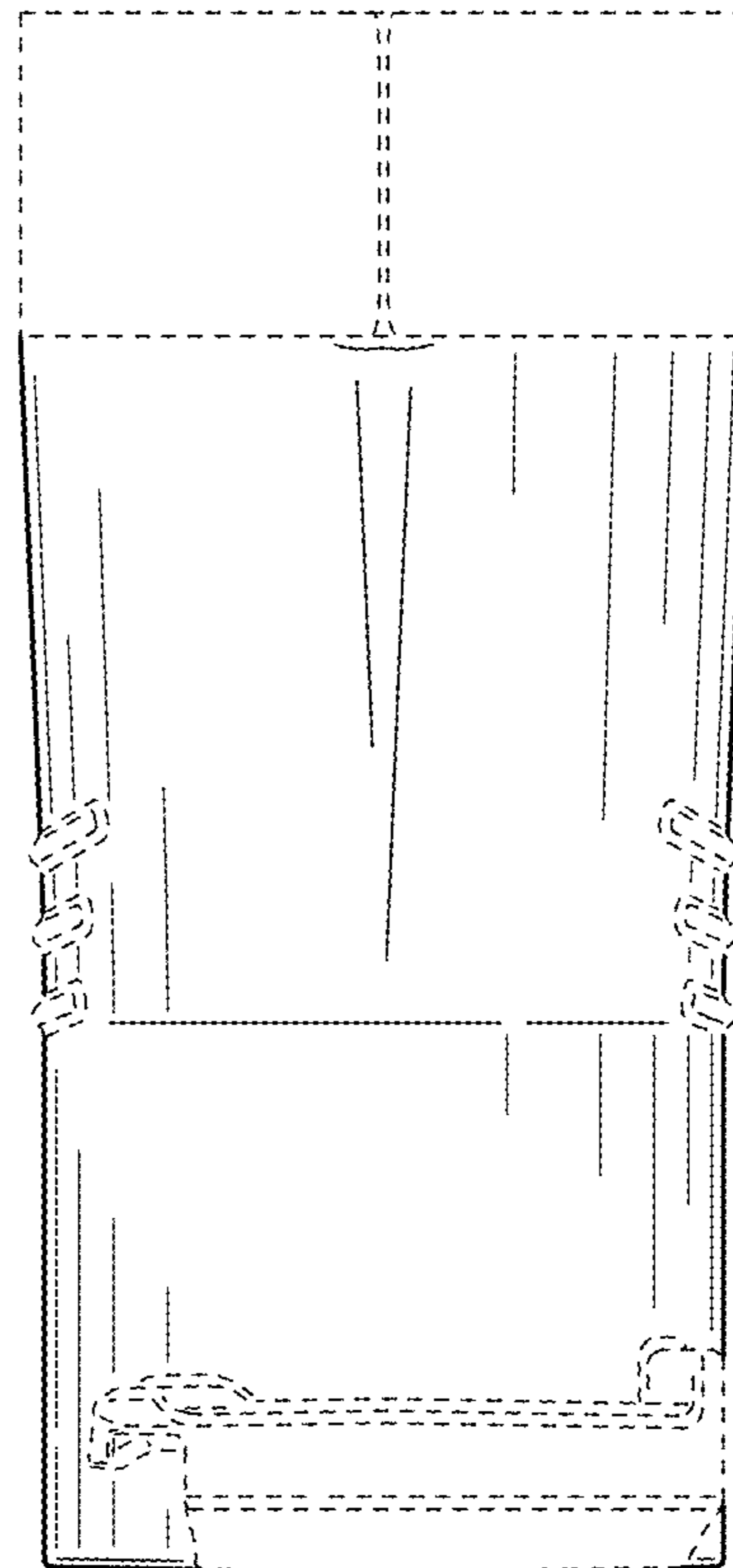


FIG. 4

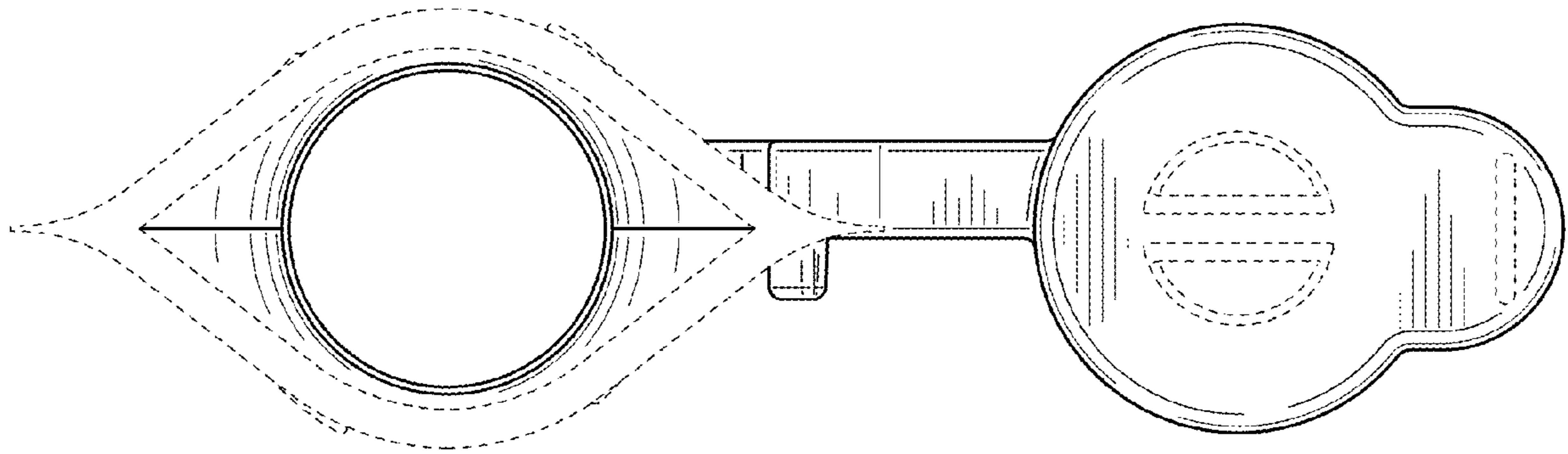


FIG. 5

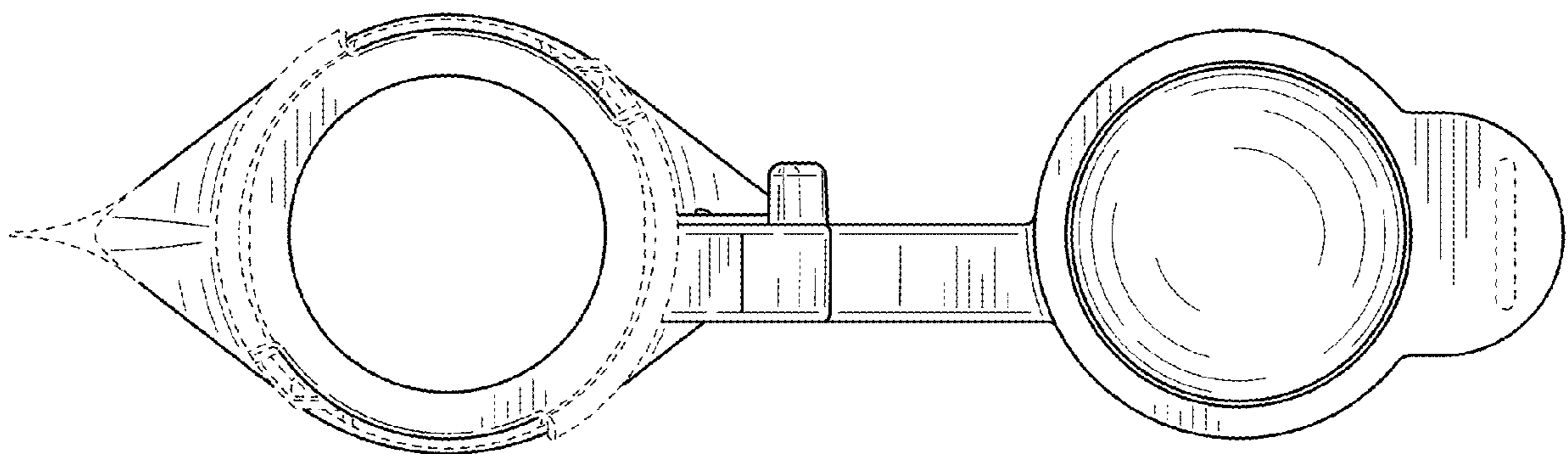


FIG. 6