



US00D910166S

(12) **United States Design Patent** (10) **Patent No.:** **US D910,166 S**
Barbagelata et al. (45) **Date of Patent:** **** Feb. 9, 2021**

(54) **SNORKEL MASK**
(71) Applicant: **Mares S.p.A.**, Rapallo (IT)
(72) Inventors: **Marco Barbagelata**, Genoa (IT);
Aristide Barone, Rapallo (IT)

2018/0065719 A1* 3/2018 Liao B63C 11/16
2019/0023366 A1* 1/2019 Liao B63C 11/16
2019/0224506 A1* 7/2019 Palmieri F16K 15/144
2019/0225311 A1* 7/2019 Barone B63C 11/16
2019/0225312 A1* 7/2019 Barone B63C 11/16
2020/0102059 A1* 4/2020 Wung B63C 11/16
2020/0189700 A1* 6/2020 Vaccaro B63C 11/16

(**) Term: **15 Years**
(21) Appl. No.: **29/662,029**
(22) Filed: **Aug. 31, 2018**

FOREIGN PATENT DOCUMENTS

CN 304394900 * 12/2017
CN 304797788 * 9/2018
CN 305251035 * 7/2019

(Continued)

(30) **Foreign Application Priority Data**

Mar. 13, 2018 (EM) 004753556-0004
Mar. 13, 2018 (EM) 004753556-0006

(51) **LOC (13) Cl.** **29-02**
(52) **U.S. Cl.**
USPC **D24/110.2; D24/110.4**

(58) **Field of Classification Search**
USPC D24/110-110.2, 110.4-110.5; D29/110,
D29/122
CPC ... B63C 2011/128; B63C 11/12; B63C 11/16;
B63C 11/14; B63C 2011/165; B63C
11/205; B63C 2011/182; B63C 11/186
See application file for complete search history.

OTHER PUBLICATIONS

Darwin (Shenzhen) Sports Co., LTD. Catalog. Darwin Sports. Date
retrieved: Oct. 8, 2019. Retrieved from Internet: <https://www.darwinsports.com/wp-content/uploads/2019/08/DARWIN-SPORTS-PRODUCTS-CATALOGE.pdf> (Year: 2019).*

Primary Examiner — Lilyana Bekic
(74) *Attorney, Agent, or Firm* — Themis Law

(57) **CLAIM**

The ornamental design for snorkel mask, as shown and described.

(56) **References Cited**

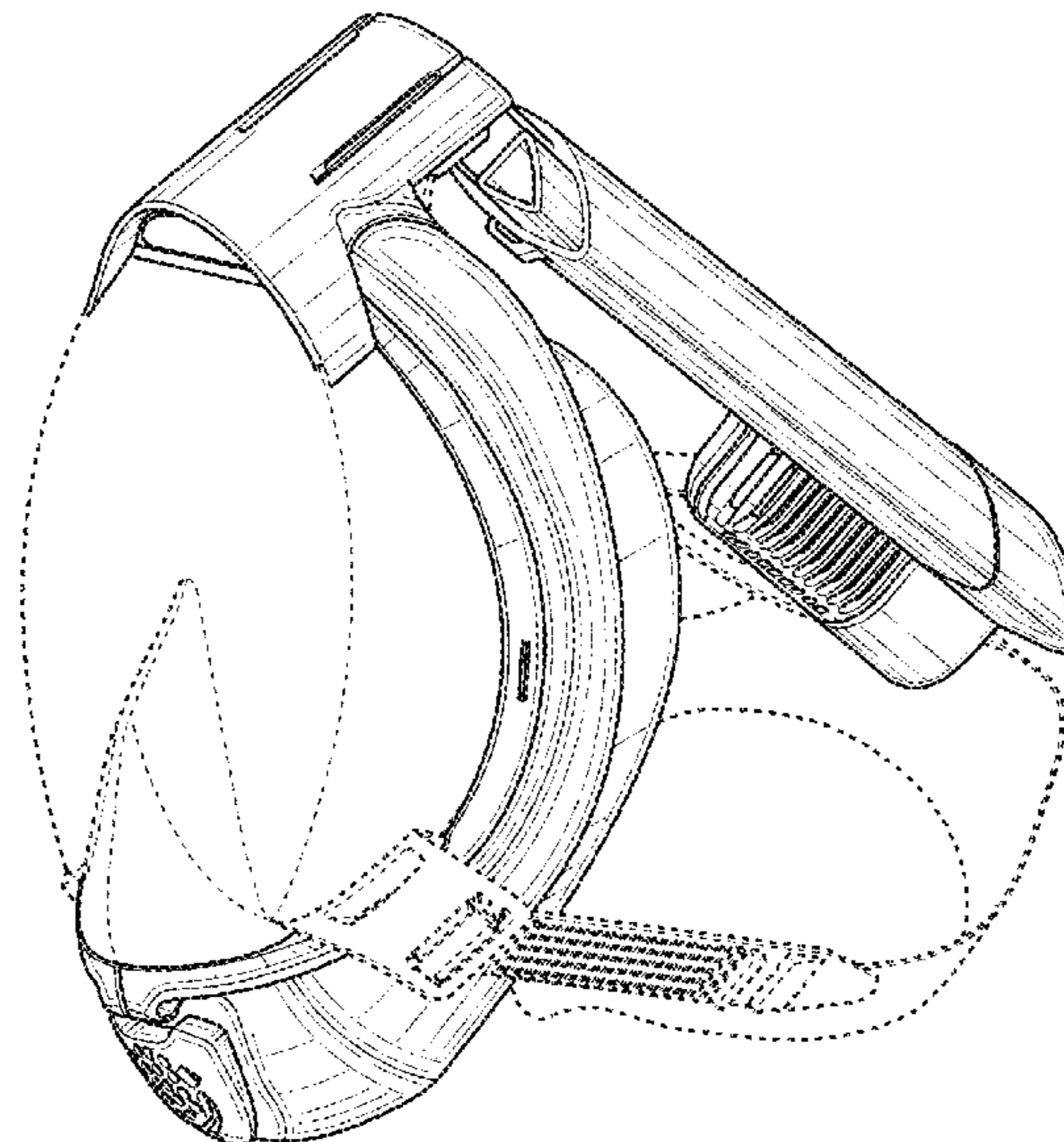
U.S. PATENT DOCUMENTS

D775,722 S * 1/2017 Caprice D24/110.2
D852,266 S * 6/2019 Liao D24/110.2
D863,543 S * 10/2019 Hu D24/110.2
D869,639 S * 12/2019 Liao D24/110.2
D873,991 S * 1/2020 Chen D24/110.2
D875,923 S * 2/2020 Cai D24/110.2
10,556,654 B2 * 2/2020 Cucchia B63C 11/12
D881,377 S * 4/2020 Barbagelata D24/110.2
D881,378 S * 4/2020 Barbagelata D24/110.2
D882,756 S * 4/2020 Lin D24/110.2
2016/0297505 A1 * 10/2016 Caprice B63C 11/16
2017/0096204 A1 * 4/2017 Cucchia B63C 11/16

DESCRIPTION

FIG. 1 is a perspective view of a snorkel mask showing our new design;
FIG. 2 is a top view thereof;
FIG. 3 is a bottom view thereof;
FIG. 4 is a front view thereof;
FIG. 5 is a rear view thereof;
FIG. 6 is a left side view thereof; and,
FIG. 7 is a right side view thereof.
The broken lines in the drawings depict portions of the snorkel mask that form no part of the claimed design.

1 Claim, 7 Drawing Sheets



(56)

References Cited

FOREIGN PATENT DOCUMENTS

EM	004140531-0001	*	12/2017
EM	005329430-0001	*	7/2018
EM	005620150-0001	*	9/2018
KR	300967430.0000	*	8/2018

* cited by examiner

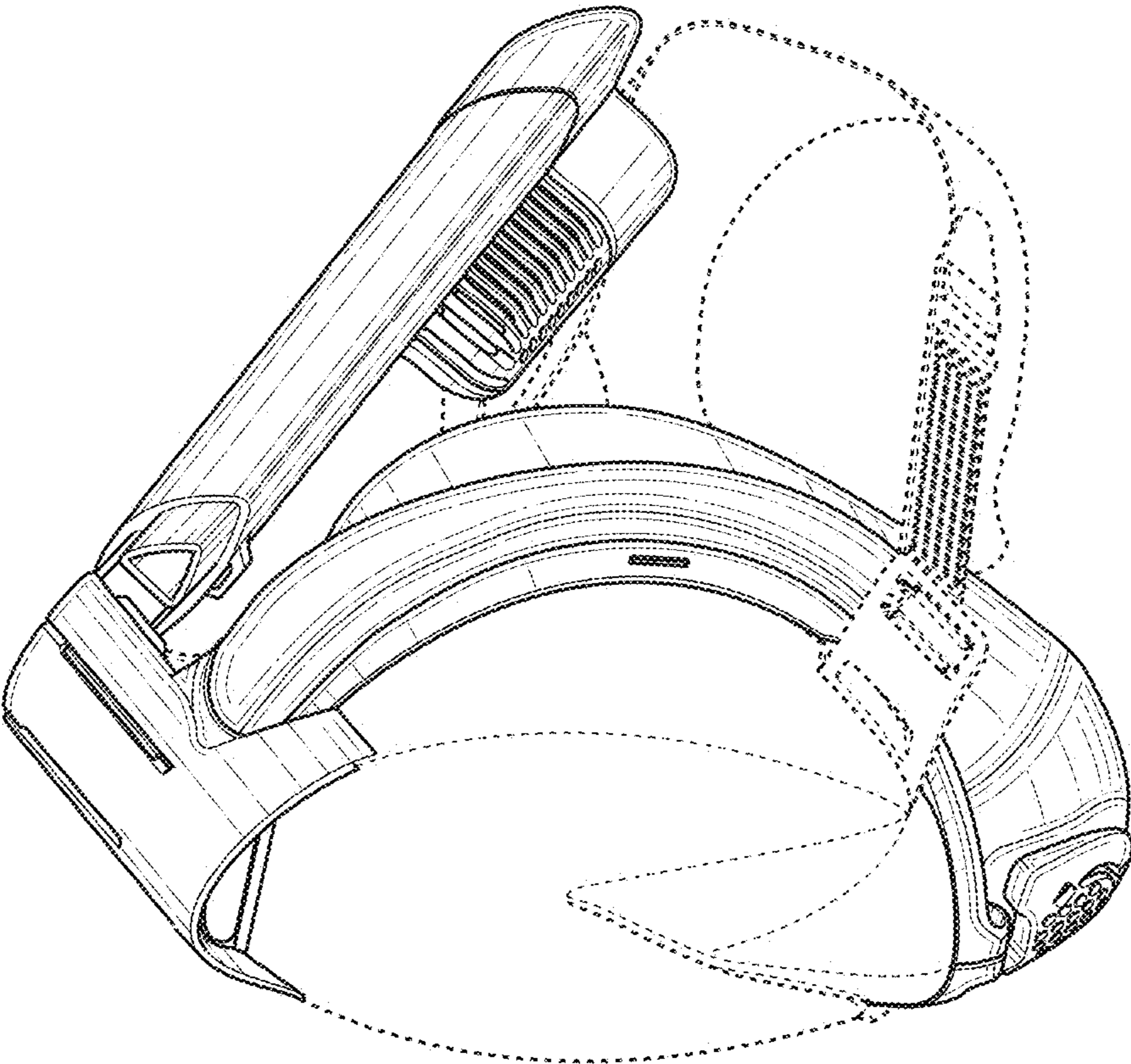


FIG. 1

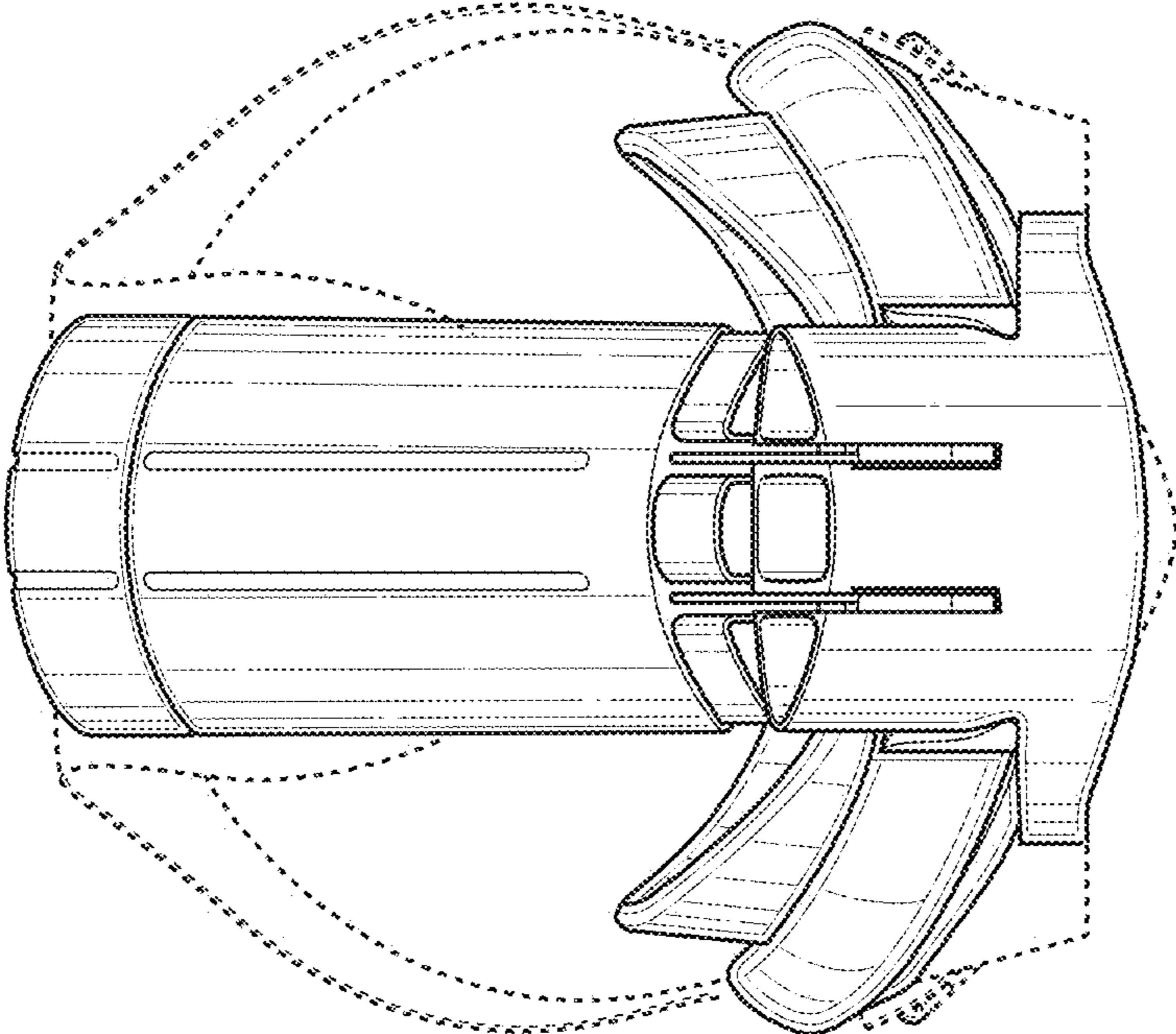


FIG. 2

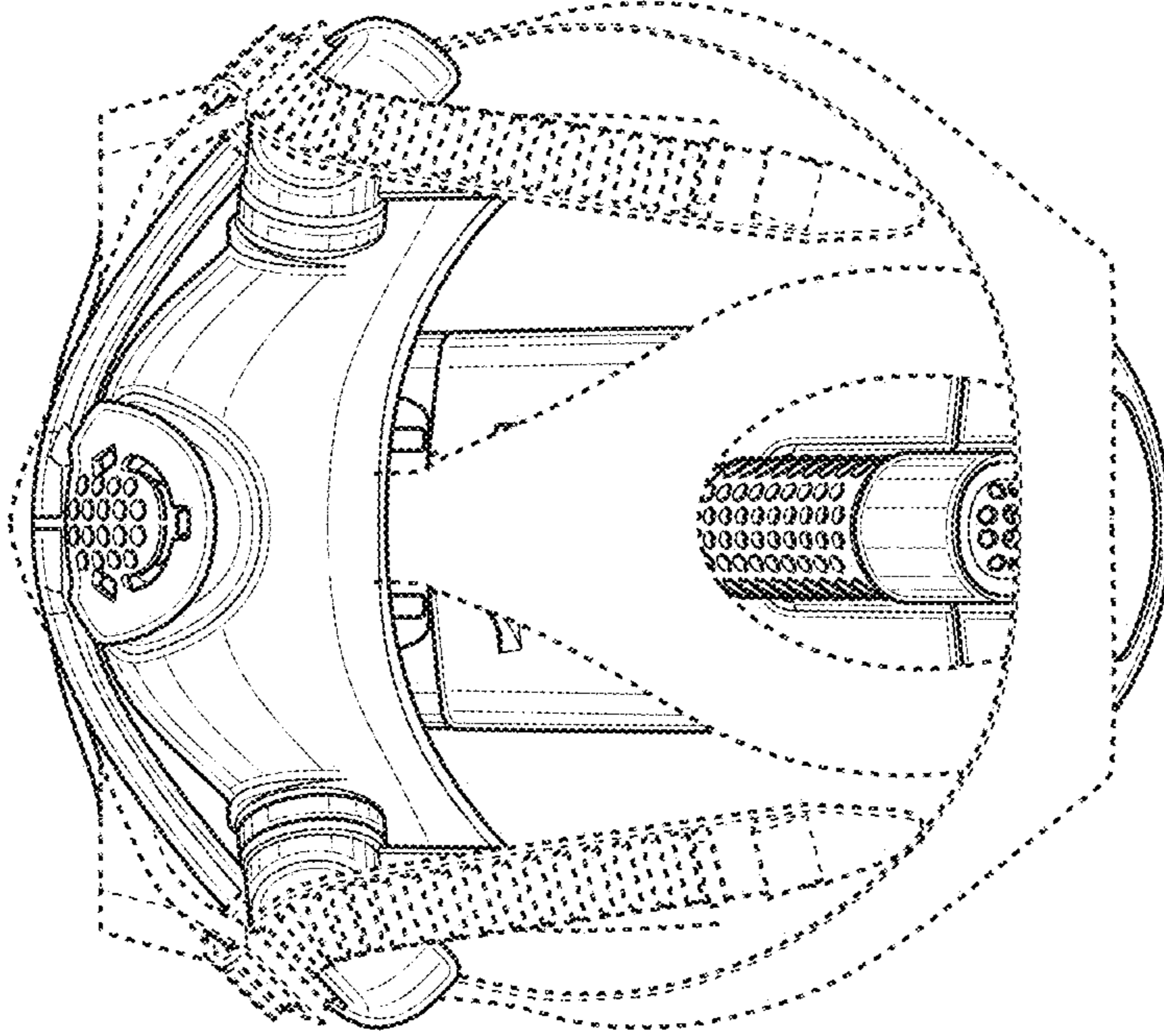


FIG. 3

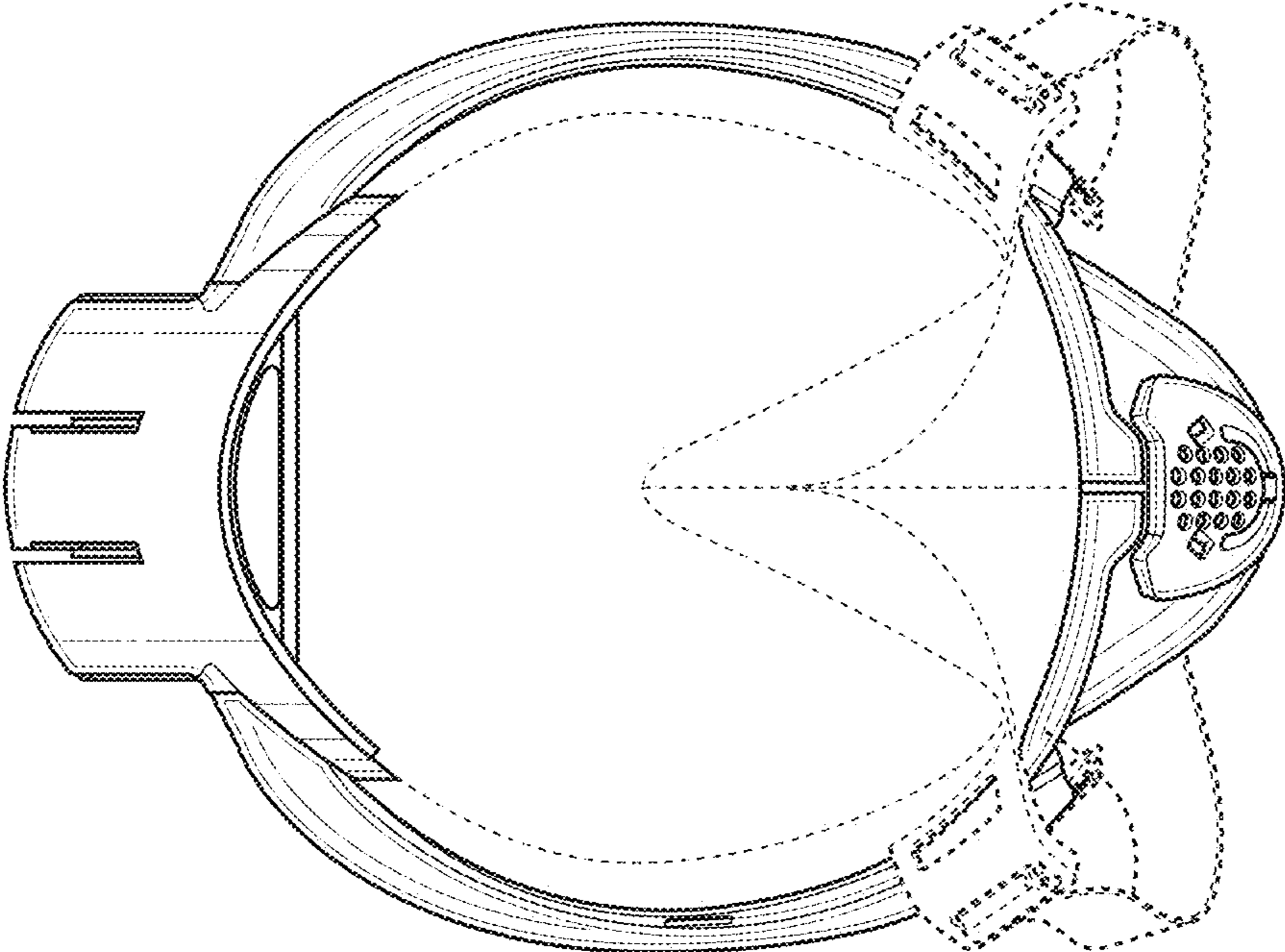


FIG. 4

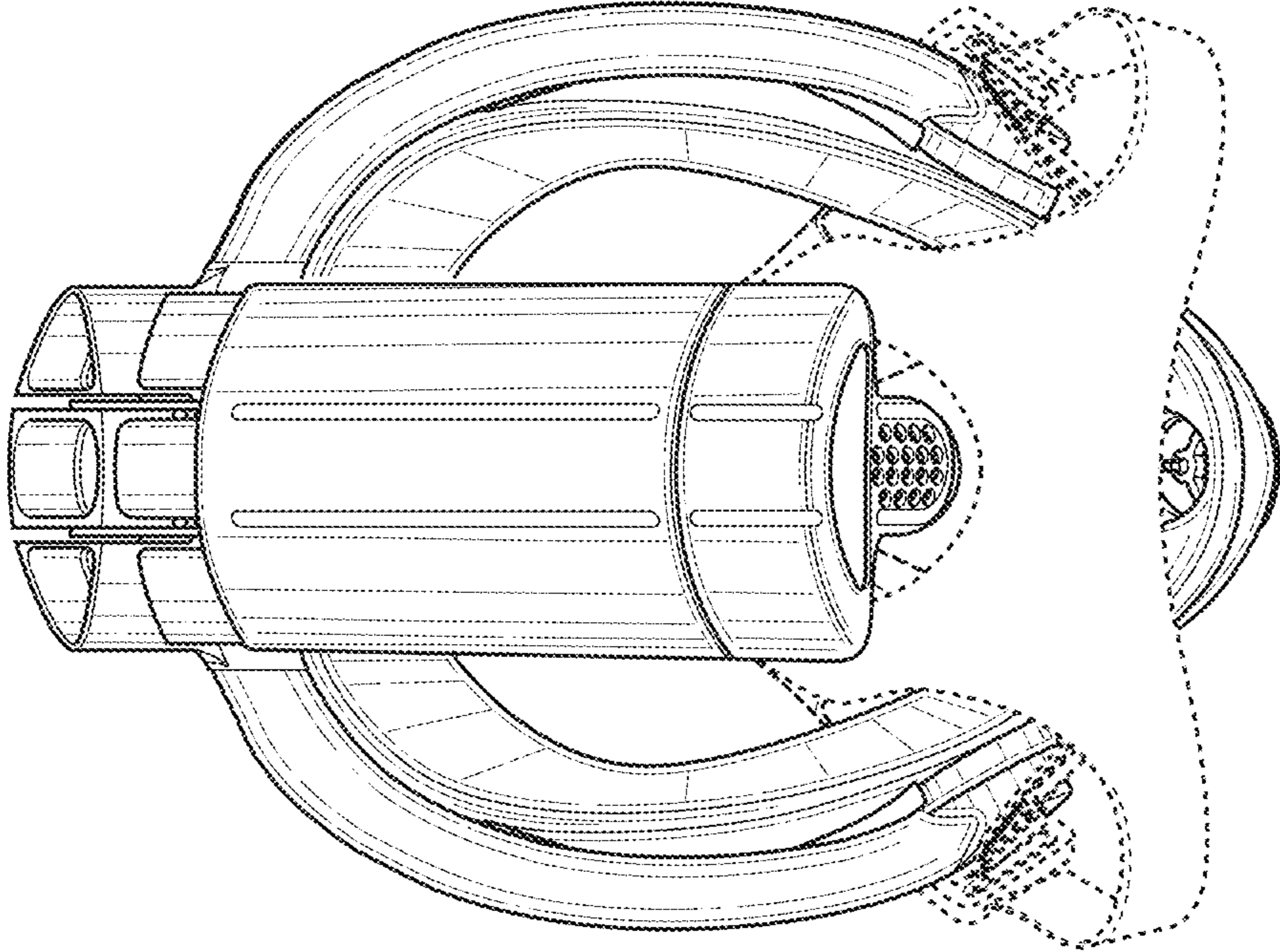


FIG. 5

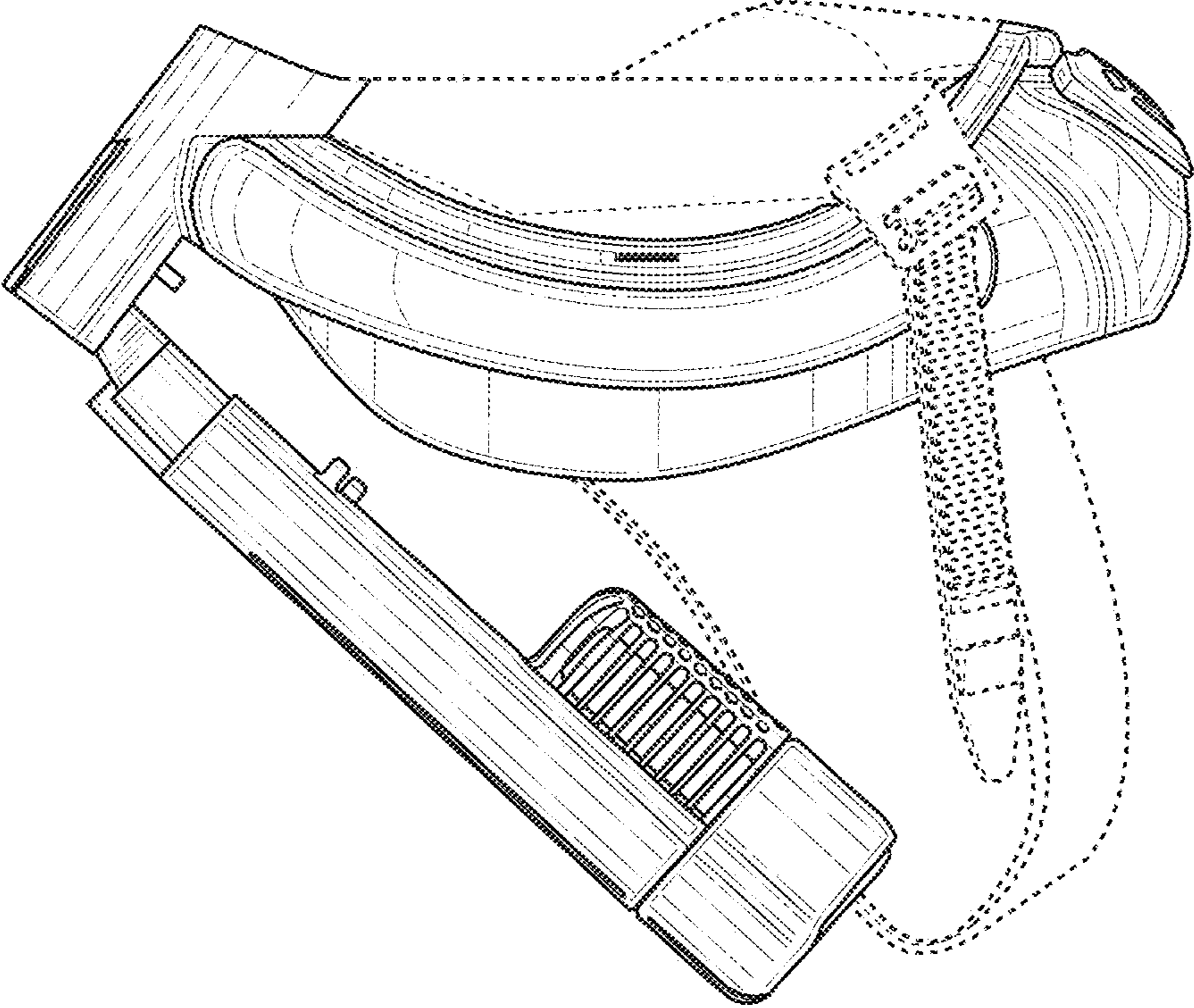


FIG. 6

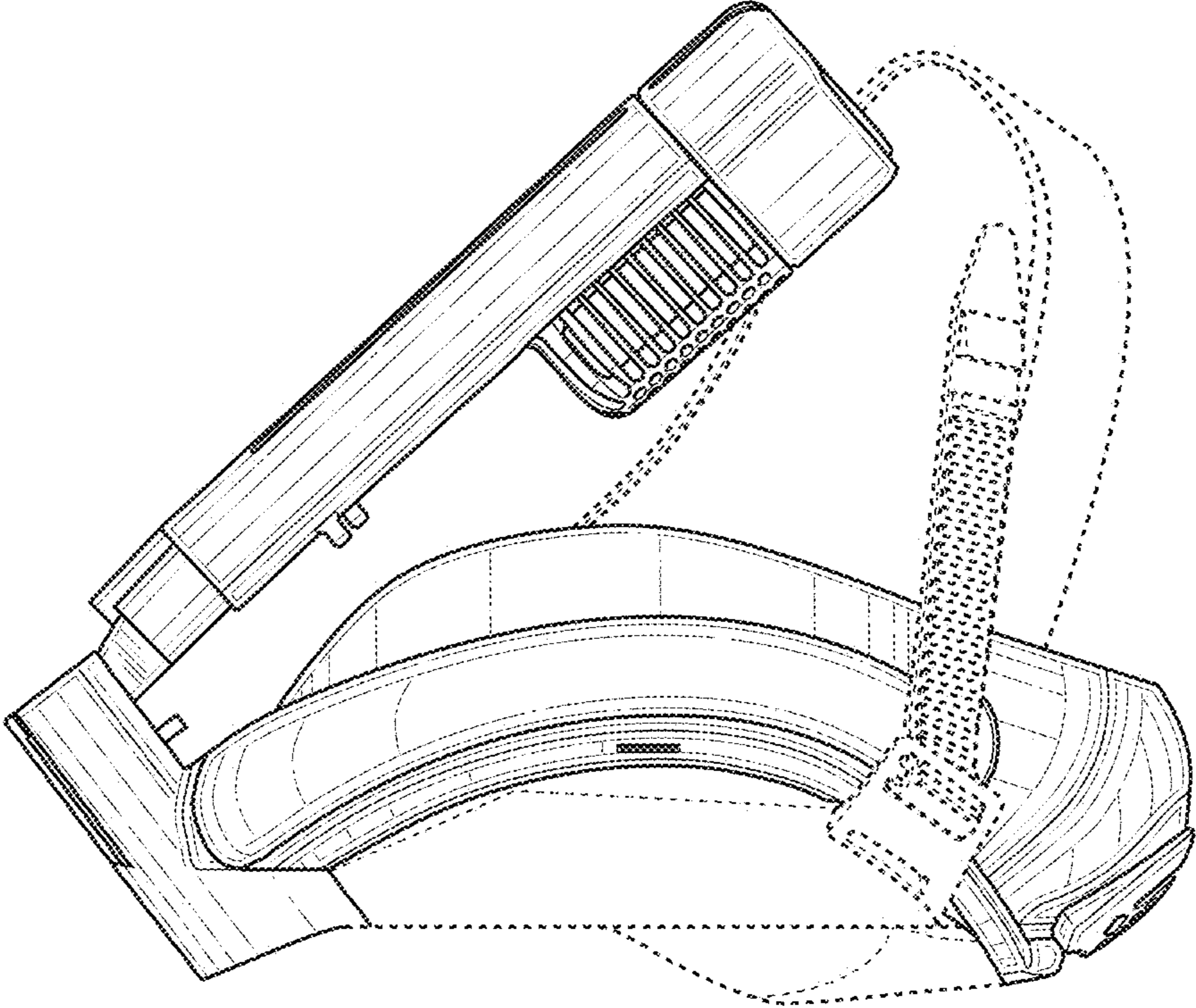


FIG. 7