



US00D910164S

(12) **United States Design Patent** (10) **Patent No.:** **US D910,164 S**
Barbagelata et al. (45) **Date of Patent:** **** Feb. 9, 2021**

(54) **SNORKEL MASK**

(71) Applicant: **Mares S.p.A.**, Rapallo (IT)

(72) Inventors: **Marco Barbagelata**, Genoa (IT);
Aristide Barone, Rapallo (IT)

(**) Term: **15 Years**

(21) Appl. No.: **29/662,025**

(22) Filed: **Aug. 31, 2018**

(30) **Foreign Application Priority Data**

Mar. 13, 2018 (EM) 004753556-0002

(51) **LOC (13) Cl.** **29-02**

(52) **U.S. Cl.**
USPC **D24/110.2; D24/110.4**

(58) **Field of Classification Search**
USPC D24/110–110.2, 110.4–110.5; D29/110,
D29/122
CPC ... B63C 2011/128; B63C 11/12; B63C 11/16;
B63C 11/14; B63C 2011/165; B63C
11/205; B63C 2011/182; B63C 11/186
See application file for complete search history.

(56) **References Cited**

U.S. PATENT DOCUMENTS

D775,722	S	*	1/2017	Caprice	D24/110.2
D852,266	S	*	6/2019	Liao	D24/110.2
D863,543	S	*	10/2019	Hu	D24/110.2
D869,639	S	*	12/2019	Liao	D24/110.2
D873,991	S	*	1/2020	Chen	D24/110.2
D875,923	S	*	2/2020	Cai	D24/110.2
10,556,654	B2	*	2/2020	Cucchia	B63C 11/12
D881,377	S	*	4/2020	Barbagelata	D24/110.2
D881,378	S	*	4/2020	Barbagelata	D24/110.2
D882,756	S	*	4/2020	Lin	D24/110.2
2016/0297505	A1	*	10/2016	Caprice	B63C 11/16
2017/0096204	A1	*	4/2017	Cucchia	B63C 11/16
2018/0065719	A1	*	3/2018	Liao	B63C 11/16

2019/0023366	A1	*	1/2019	Liao	B63C 11/16
2019/0224506	A1	*	7/2019	Palmieri	F16K 15/144
2019/0225311	A1	*	7/2019	Barone	B63C 11/16
2019/0225312	A1	*	7/2019	Barone	B63C 11/16
2020/0102059	A1	*	4/2020	Wung	B63C 11/16

(Continued)

FOREIGN PATENT DOCUMENTS

CN	304394900	*	12/2017
CN	304797788	*	9/2018
CN	305251035	*	7/2019

(Continued)

OTHER PUBLICATIONS

Darwin (Shenzhen) Sports Co., Ltd. Catalog. Darwin Sports. Date retrieved: Oct. 8, 2019. Retrieved from Internet: <https://www.darwinsports.com/wp-content/uploads/2019/08/DARWIN-SPORTS-PRODUCTS-CATALOGE.pdf> (Year: 2019).*

(Continued)

Primary Examiner — Lilyana Bekic
(74) *Attorney, Agent, or Firm* — Themis Law

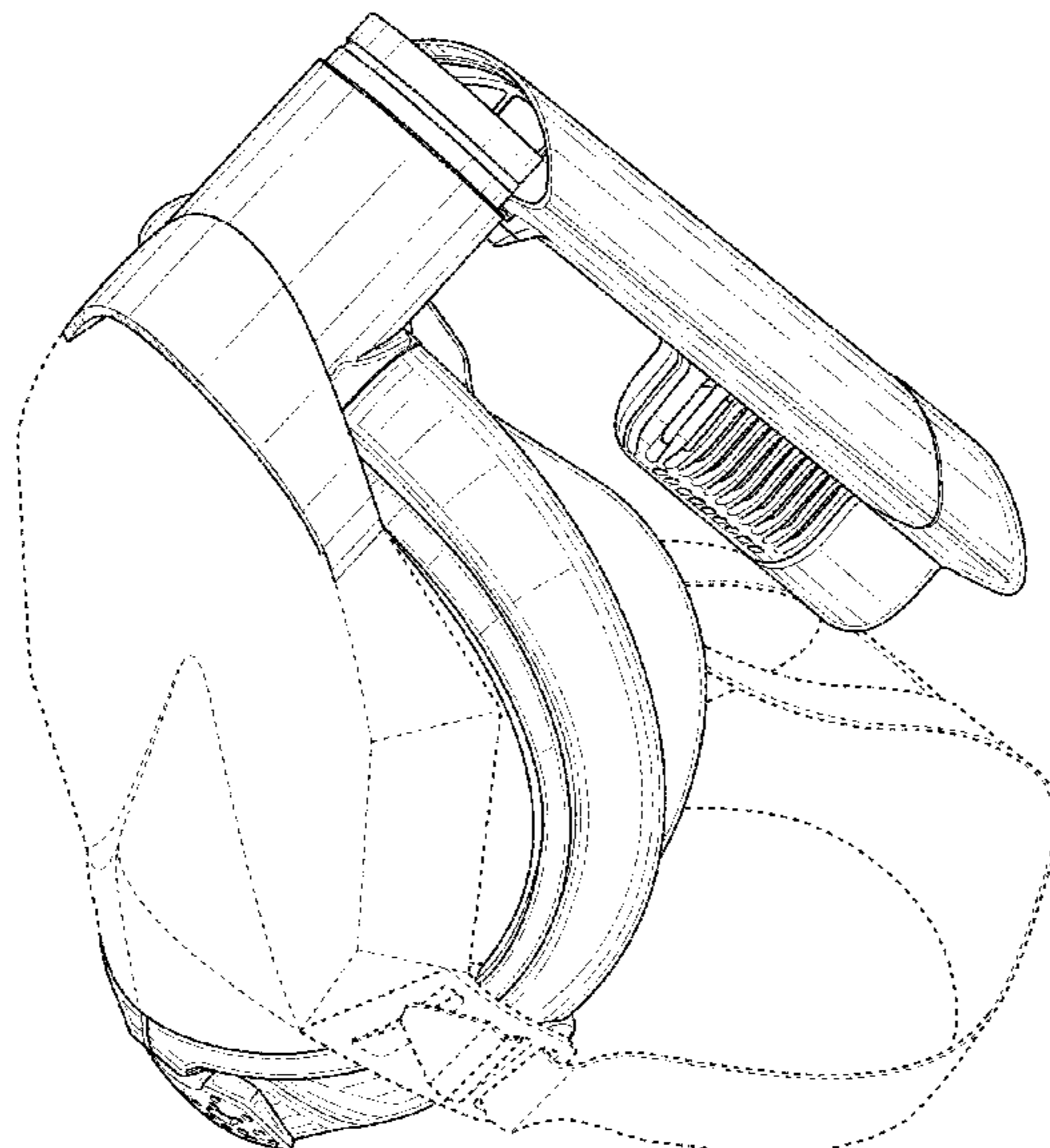
(57) **CLAIM**

The ornamental design for snorkel mask, as shown and described.

DESCRIPTION

FIG. 1 is a perspective view of a snorkel mask showing our new design;
FIG. 2 is a top view thereof;
FIG. 3 is a bottom view thereof;
FIG. 4 is a front view thereof;
FIG. 5 is a rear view thereof;
FIG. 6 is a left side view thereof; and,
FIG. 7 is a right side view thereof.
The broken lines in the drawings depict portions of the snorkel mask that form no part of the claimed design.

1 Claim, 7 Drawing Sheets



(56)

References Cited

U.S. PATENT DOCUMENTS

2020/0189700 A1* 6/2020 Vaccaro B63C 11/16

FOREIGN PATENT DOCUMENTS

EM	004140531-0001	* 12/2017
EM	005329430-0001	* 7/2018
EM	005620150-0001	* 9/2018
KR	300967430	* 8/2018

OTHER PUBLICATIONS

Sea Vu Dry⁺. Mares.com. Date viewed: Sep. 16, 2020. Retrieved from Internet: <https://www.mares.com/shop/en-SE/sea-vu-dry-6.html> (Year: 2020).*

* cited by examiner

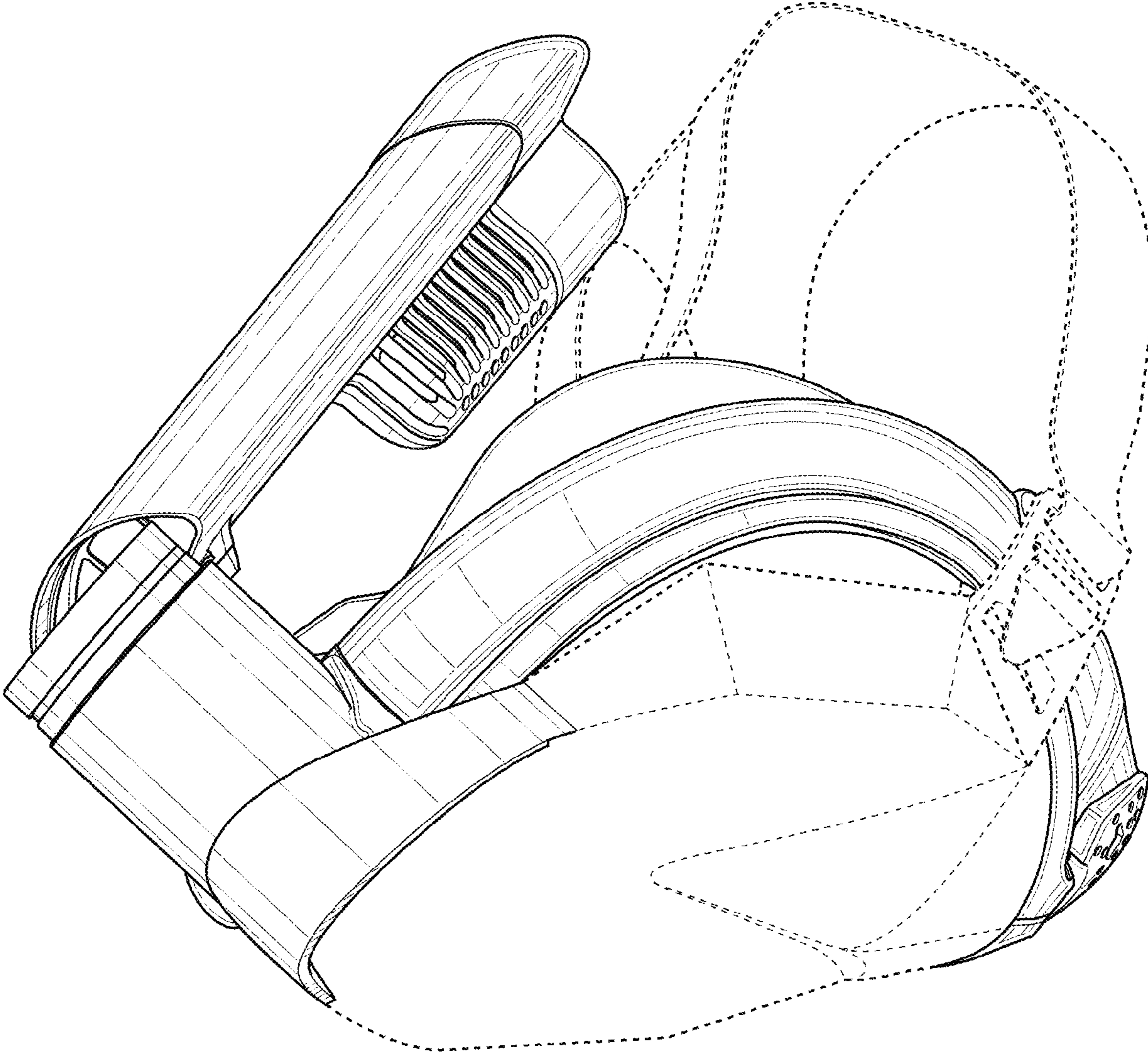


FIG. 1

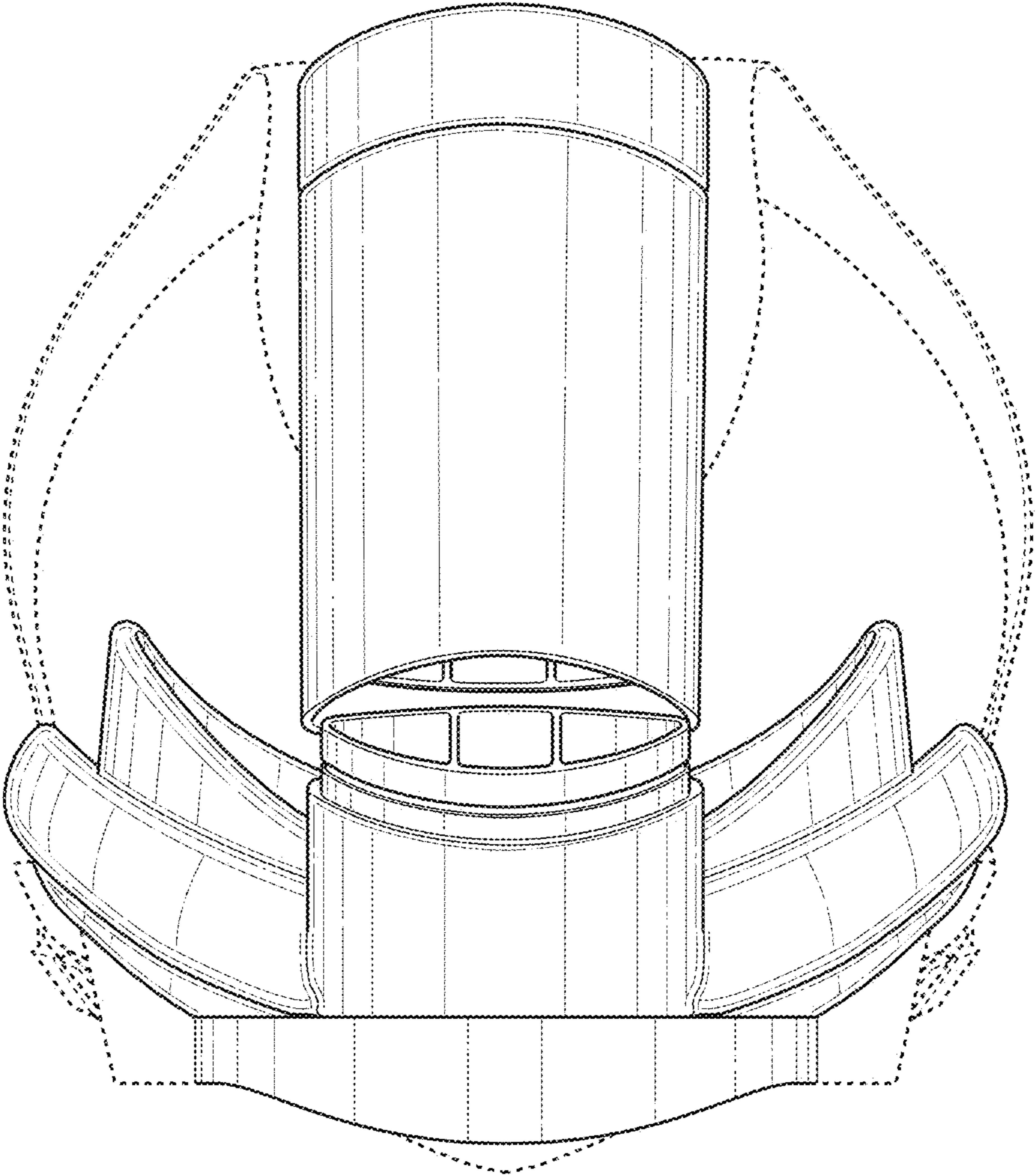


FIG. 2

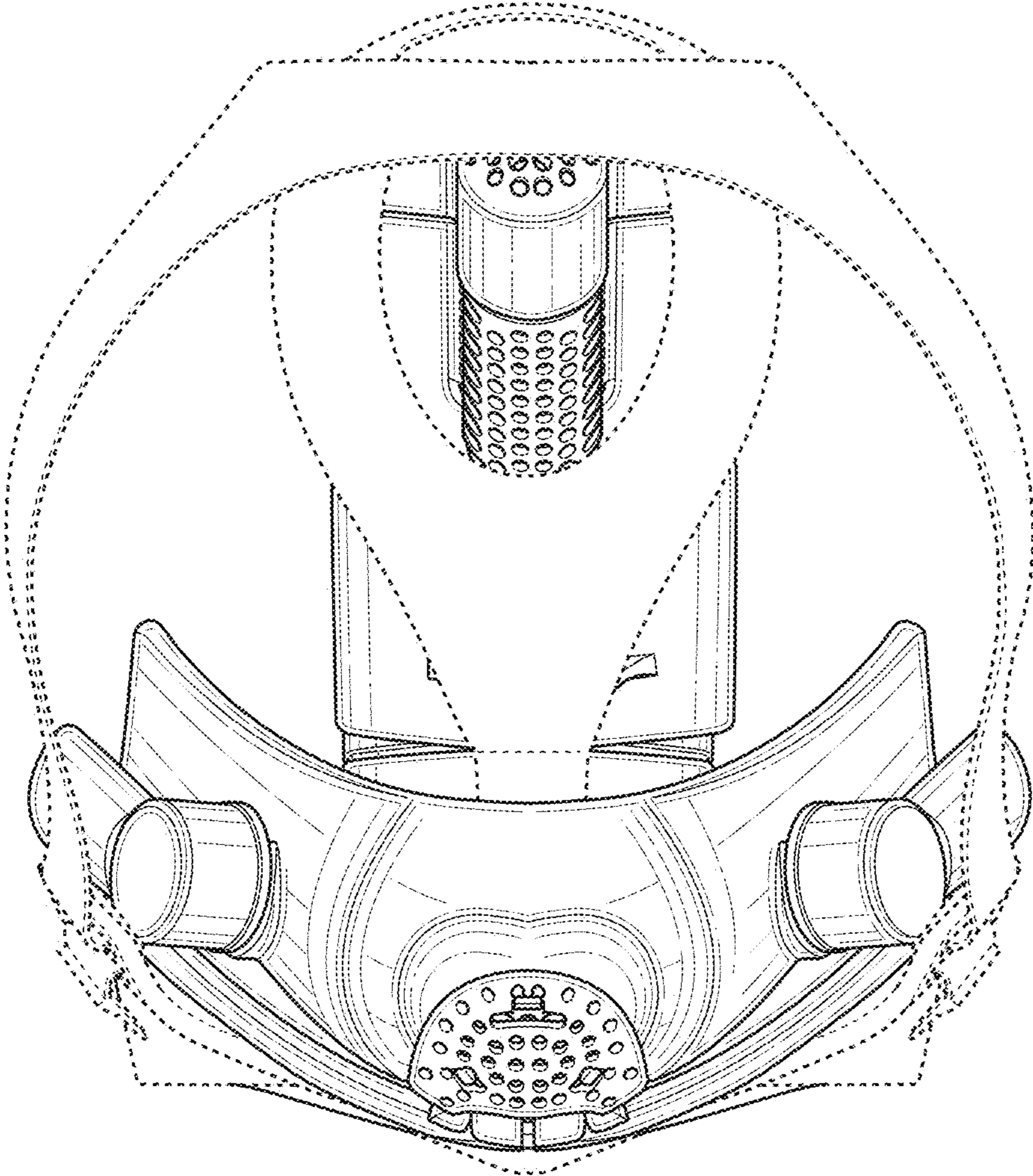


FIG. 3

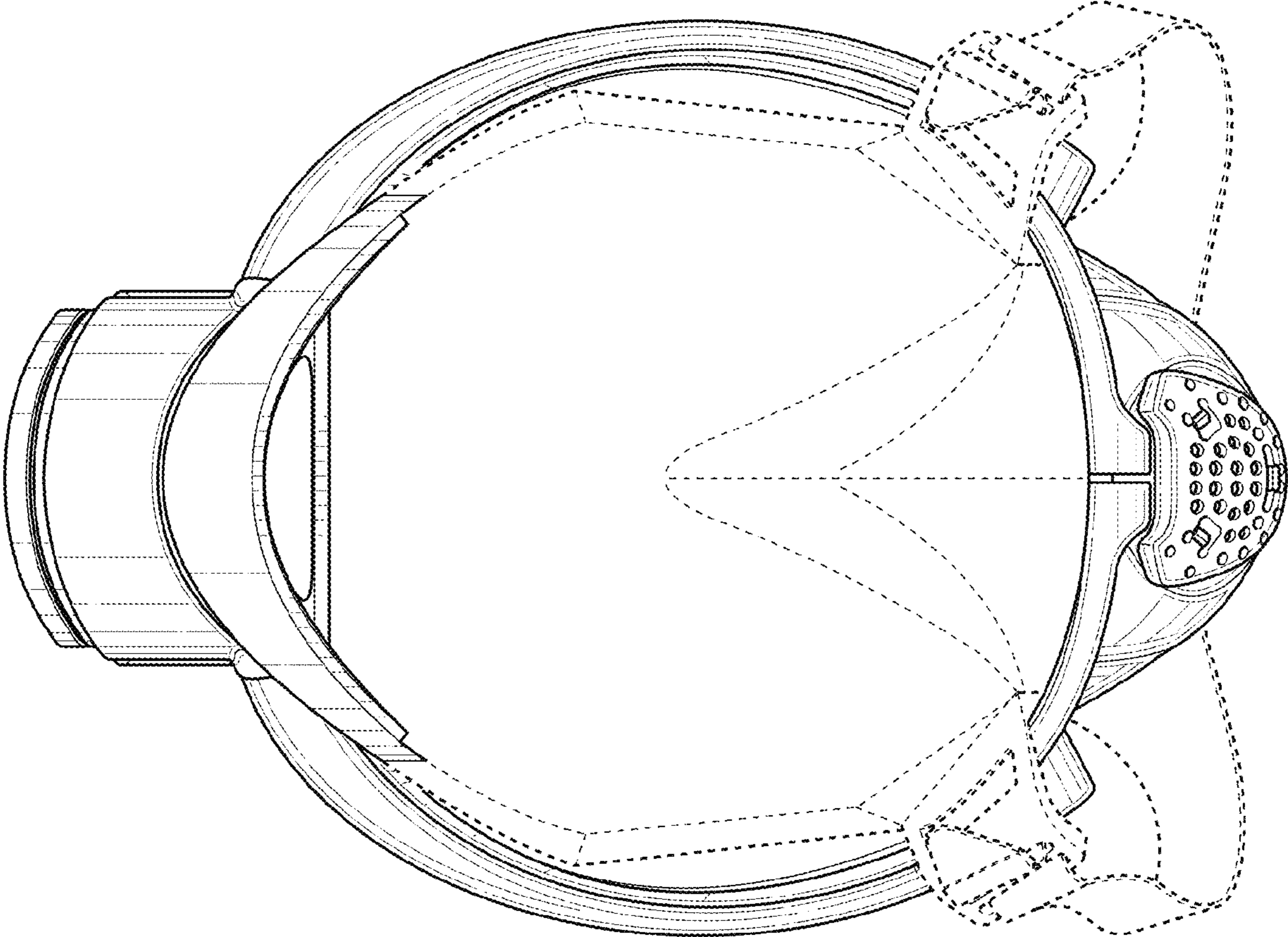


FIG. 4

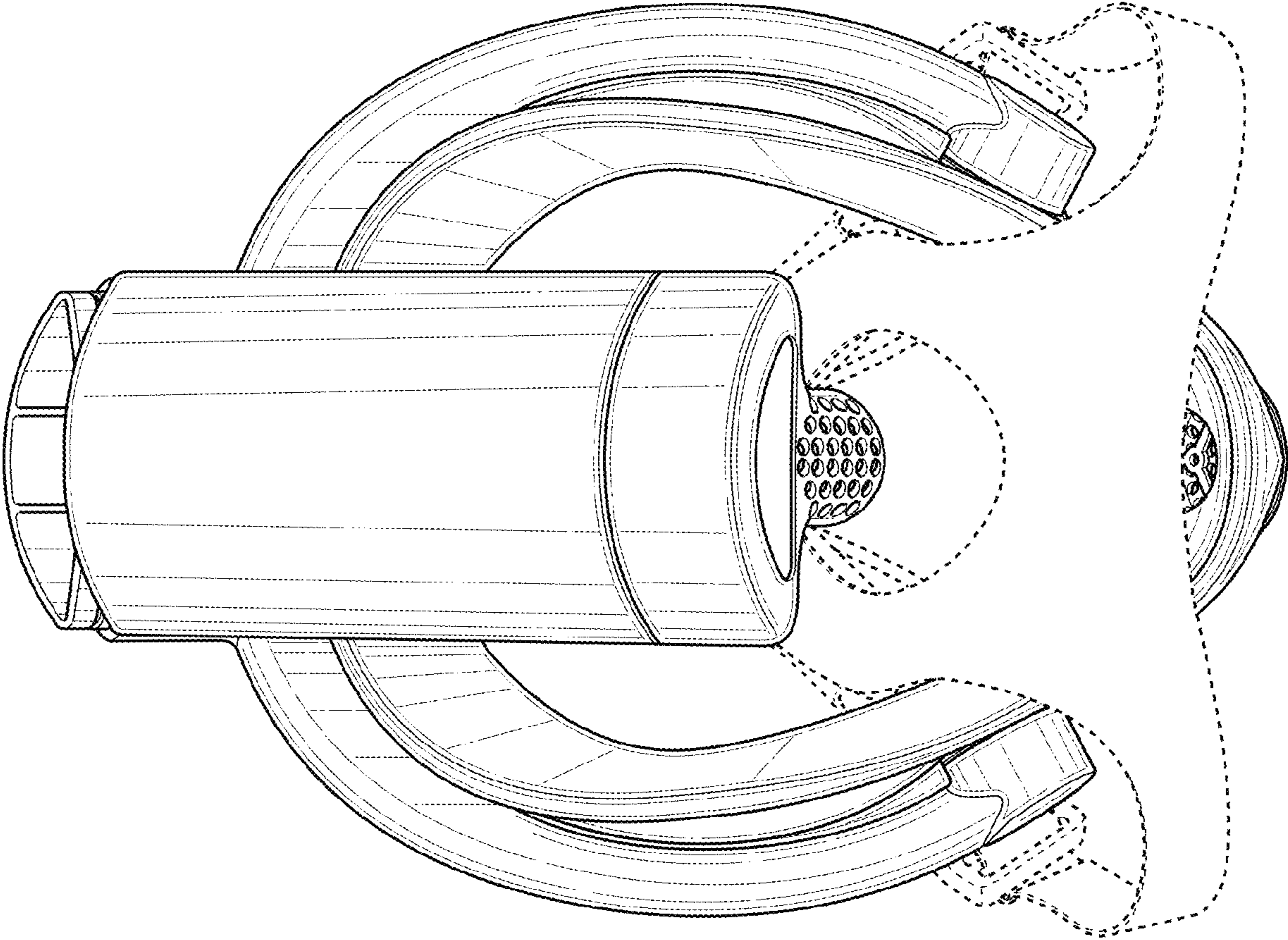


FIG. 5

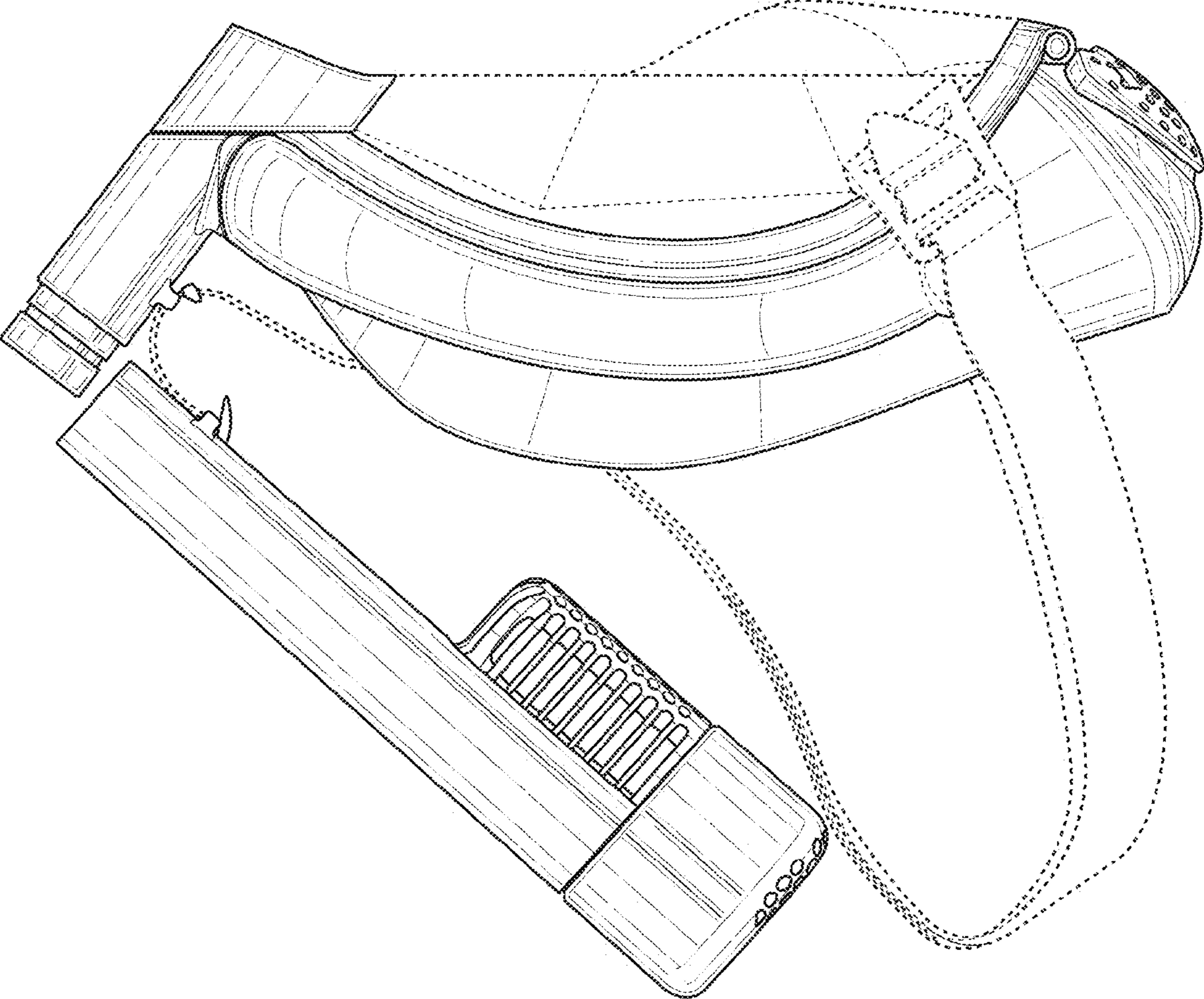


FIG. 6

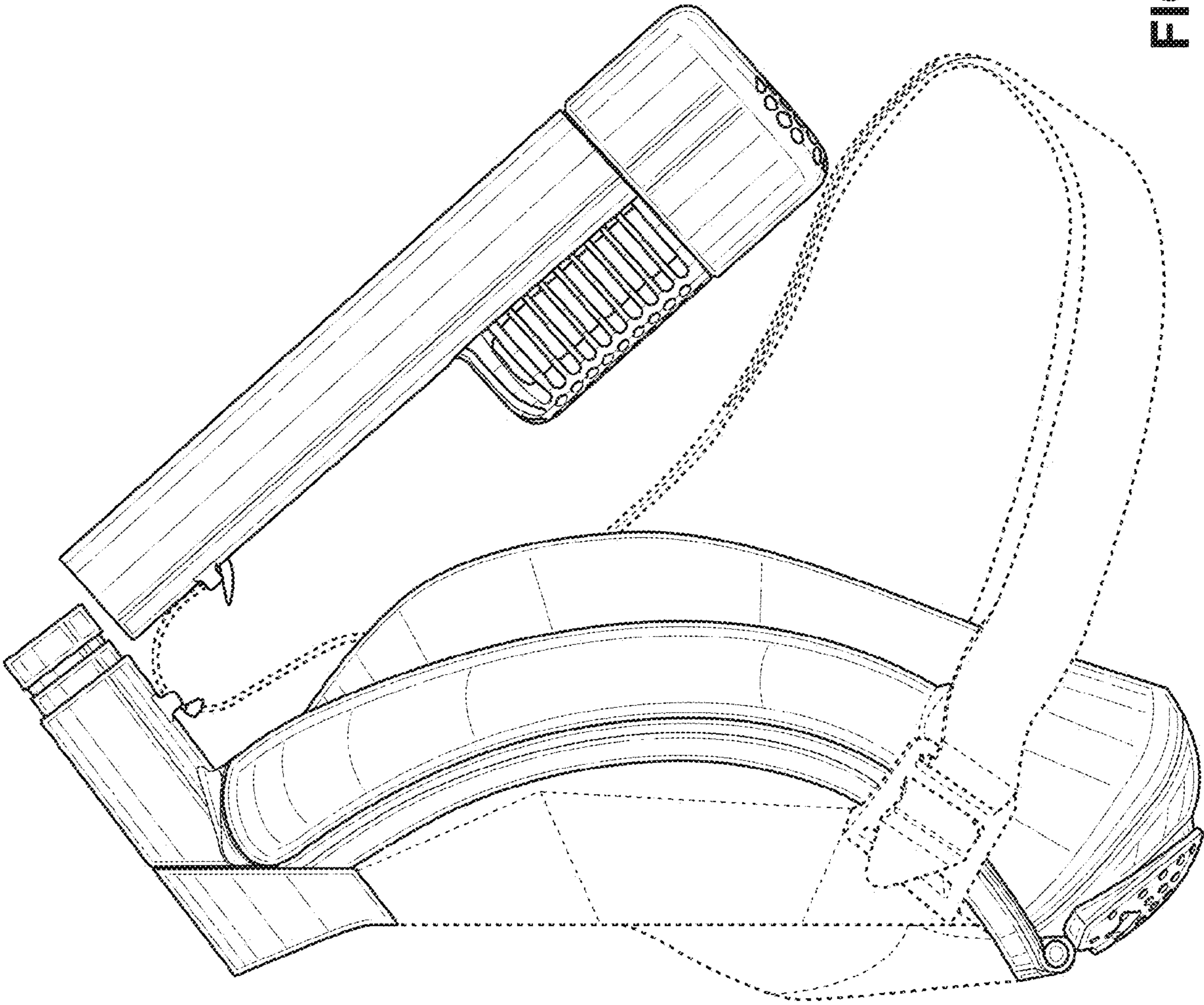


FIG. 7