



US00D910163S

(12) **United States Design Patent** (10) **Patent No.:** **US D910,163 S**
Alizoti (45) **Date of Patent:** **** Feb. 9, 2021**

(54) **OSCILLATING POSITIVE EXPIRATORY PRESSURE DEVICE, ADAPTER AND CONTROL MODULE ASSEMBLY**

5,331,953 A 7/1994 Andersson et al.
5,333,106 A 7/1994 Lanpher et al.
5,363,842 A 11/1994 Mishevich et al.
(Continued)

(71) Applicant: **Trudell Medical International**, London (CA)

FOREIGN PATENT DOCUMENTS

(72) Inventor: **Neritan Alizoti**, London (CA)

CA 2 607 458 A1 11/2006
DE 102010024912 B4 2/2013
(Continued)

(73) Assignee: **Trudell Medical International**, London (CA)

OTHER PUBLICATIONS

(**) Term: **15 Years**

Aerobika: Oscillating Positive Expiratory Pressure Therapy System. Trudell medical International. Date published: Mar. 2015. Retrieved from Internet: https://www.trudellmed.com/sites/default/files/2017-10/opep_ifu.pdf. (Year: 2015).*

(21) Appl. No.: **29/675,976**

(22) Filed: **Jan. 7, 2019**

Related U.S. Application Data

Primary Examiner — Lilyana Bekic

(63) Continuation of application No. 16/239,156, filed on Jan. 3, 2019.

(74) *Attorney, Agent, or Firm* — Brinks Gilson & Lione

(51) **LOC (13) Cl.** **24-04**

(57) **CLAIM**

(52) **U.S. Cl.**
USPC **D24/110**

The ornamental design for an oscillating positive expiratory pressure device, adaptor and control module assembly, as shown and described.

(58) **Field of Classification Search**
USPC D24/107-108, 110, 110.5, 127, 164
CPC A61M 11/005; A61M 15/0085; A61M 11/00; A61M 16/14; A61M 11/02; A61M 15/00; A61M 15/0001; A61M 15/001; A61M 16/0006; A61M 16/208; A61M 11/08; A61M 15/0021; A61M 15/0023; A61M 11/001; A61M 11/002
See application file for complete search history.

DESCRIPTION

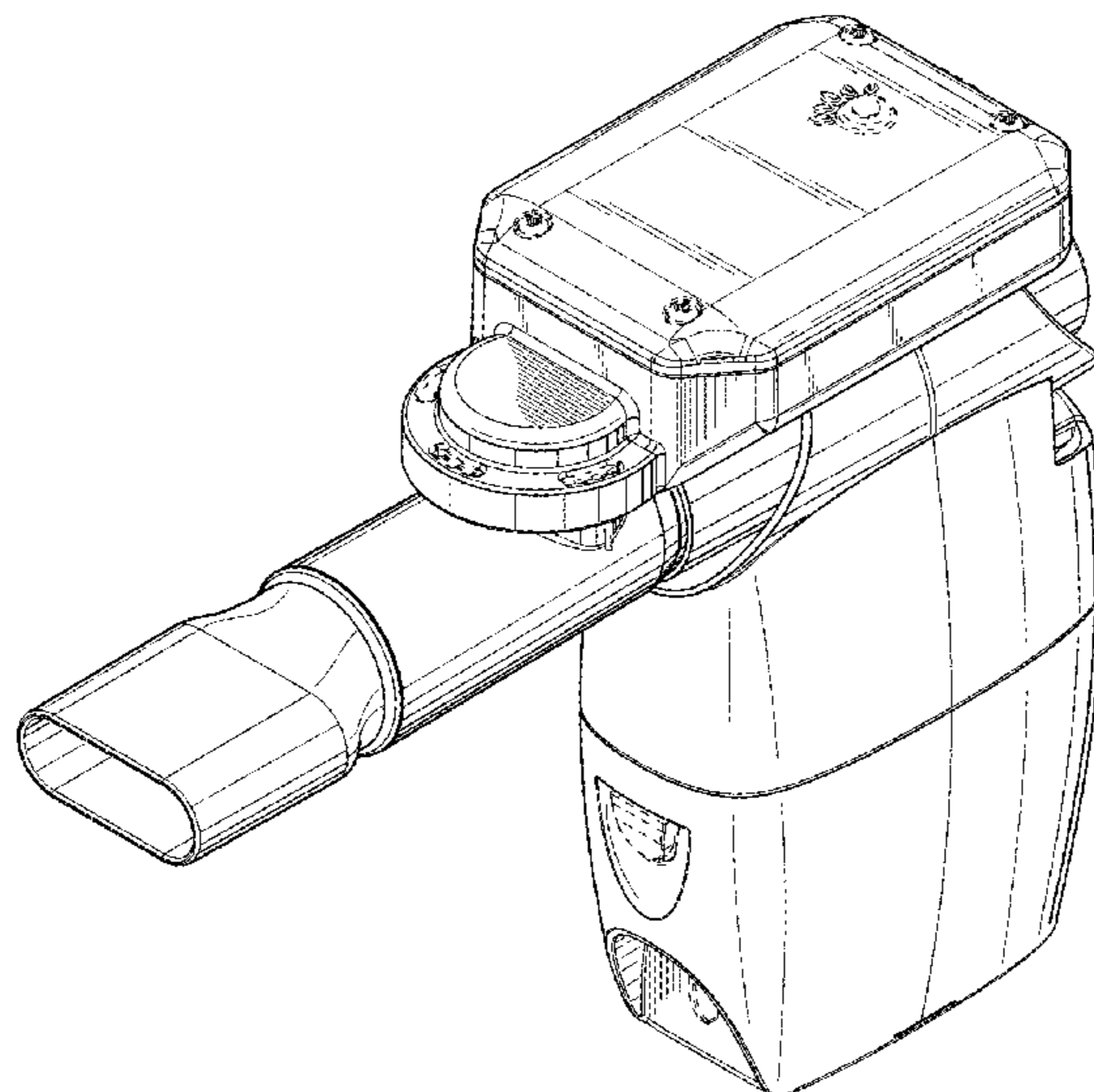
FIG. 1 is a perspective view of an oscillating positive expiratory pressure device, adaptor and control module assembly showing my design;
FIG. 2 is a front view thereof;
FIG. 3 is a rear view thereof;
FIG. 4 is a left side view thereof
FIG. 5 is a right side view thereof;
FIG. 6 is a top view thereof; and,
FIG. 7 is a bottom view thereof.
The broken lines in the drawings depict portions of the oscillating positive expiratory pressure device, adaptor and control module assembly that form no part of the claimed design.

(56) **References Cited**

U.S. PATENT DOCUMENTS

4,984,158 A 1/1991 Hillsman
D325,634 S * 4/1992 Sweeney, Jr. D24/164
D338,268 S * 8/1993 Kobayashi D24/110
D339,192 S * 9/1993 Nicholson D24/110
5,284,133 A 2/1994 Burns et al.

1 Claim, 5 Drawing Sheets



(56)

References Cited

U.S. PATENT DOCUMENTS

5,431,154 A	7/1995	Seigel et al.	2003/0075171 A1	4/2003	Jones et al.	
5,477,849 A	12/1995	Fry	2003/0159694 A1	8/2003	McNaughton	
5,505,192 A	4/1996	Samiotes et al.	2004/0007231 A1	1/2004	Zhou	
5,505,195 A	4/1996	Wolf et al.	2006/0089545 A1	4/2006	Ratjen et al.	
5,758,638 A	6/1998	Kreamer	2007/0017506 A1	1/2007	Bell et al.	
5,794,612 A	8/1998	Wachter et al.	2007/0125372 A1	6/2007	Chen	
5,809,997 A	9/1998	Wolf	2008/0053456 A1*	3/2008	Brown	A63B 21/00061 128/207.16
5,819,726 A	10/1998	Rubsamen et al.	2009/0194104 A1	8/2009	Van Sickle	
5,865,172 A	2/1999	Butler et al.	2009/0314292 A1	12/2009	Overfield et al.	
5,937,852 A	8/1999	Butler et al.	2010/0191192 A1	7/2010	Prasad et al.	
6,073,628 A	6/2000	Butler et al.	2010/0192948 A1	8/2010	Sutherland et al.	
6,138,669 A	10/2000	Rocci, Jr. et al.	2010/0250280 A1	9/2010	Sutherland	
6,148,815 A	11/2000	Wolf	2010/0252036 A1	10/2010	Sutherland et al.	
6,192,876 B1	2/2001	Denyer et al.	2010/0324439 A1	12/2010	Davenport	
6,202,642 B1	3/2001	McKinnon et al.	2011/0180563 A1	7/2011	Fitchett et al.	
D441,071 S *	4/2001	Attolini	2011/0226237 A1	9/2011	Morrison	
6,234,167 B1	5/2001	Cox et al.	2011/0226242 A1	9/2011	Von Hollen et al.	
6,358,058 B1	3/2002	Strupat et al.	2012/0012106 A1	1/2012	Bari	
6,578,571 B1	6/2003	Watt	2012/0165693 A1	6/2012	Williams et al.	
6,651,651 B1	11/2003	Bonney et al.	2012/0240923 A1	9/2012	Denyer et al.	
6,823,862 B2	11/2004	McNaughton	2012/0285236 A1	11/2012	Haartsen et al.	
6,839,604 B2	1/2005	Godfrey et al.	2012/0291779 A1	11/2012	Haartsen et al.	
6,880,722 B2	4/2005	Anderson et al.	2012/0312302 A1	12/2012	Cardelius et al.	
6,904,907 B2	6/2005	Speldrich et al.	2013/0008436 A1	1/2013	Von Hollen et al.	
6,932,083 B2	8/2005	Jones et al.	2013/0053719 A1	2/2013	Wekell	
6,934,220 B1	8/2005	Cruitt et al.	2013/0092158 A1	4/2013	Levy et al.	
6,958,691 B1	10/2005	Anderson et al.	2013/0151162 A1	6/2013	Harris et al.	
6,990,975 B1	1/2006	Jones et al.	2013/0186392 A1	7/2013	Haartsen et al.	
7,009,517 B2	3/2006	Wood	2014/0000598 A1	1/2014	Sutherland et al.	
7,072,738 B2	7/2006	Bonney et al.	2014/0000599 A1	1/2014	Dyche et al.	
7,089,786 B2	8/2006	Walker	2014/0106324 A1	4/2014	Adams et al.	
7,091,864 B2	8/2006	Veitch et al.	2014/0150790 A1*	6/2014	Meyer	A61M 16/0006 128/204.18
7,151,456 B2	12/2006	Godfrey	2014/0182584 A1	7/2014	Sutherland et al.	
7,159,533 B1	1/2007	Redd et al.	2014/0257126 A1	9/2014	Vink et al.	
7,191,777 B2	3/2007	Brand et al.	2014/0318534 A1	10/2014	Engelbreth	
7,198,172 B2	4/2007	Harvey et al.	2014/0352690 A1	12/2014	Kolb et al.	
7,233,228 B2	6/2007	Lintell	2015/0011906 A1	1/2015	Wallach	
7,331,340 B2	2/2008	Barney	2015/0059739 A1	3/2015	Aslam	
7,383,837 B2	6/2008	Robertson et al.	2015/0061867 A1	3/2015	Engelhard et al.	
7,424,888 B2	6/2008	Harvey et al.	2015/0099994 A1	4/2015	Spencer et al.	
7,495,546 B2	2/2009	Lintell	2015/0100276 A1	4/2015	Huang et al.	
7,597,099 B2	10/2009	Jones et al.	2015/0100335 A1	4/2015	Engelhard et al.	
7,661,423 B2	2/2010	Brand et al.	2015/0112707 A1	4/2015	Manice et al.	
7,721,729 B2*	5/2010	Von Hollen	2015/0112707 A1	4/2015	Manice et al.	
		A61M 11/002 128/200.14	2015/0122261 A1	5/2015	Pettit	
7,730,847 B1	6/2010	Redd et al.	2015/0164373 A1	6/2015	Davis et al.	
7,748,382 B2	7/2010	Denyer et al.	2015/0174348 A1	6/2015	Tunnell et al.	
7,819,116 B2	10/2010	Brand et al.	2015/0174349 A1	6/2015	Tunnell et al.	
7,837,648 B2	11/2010	Blair et al.	2015/0235548 A1	8/2015	Engelhard et al.	
8,165,892 B2	4/2012	Carter et al.	2015/0283337 A1	10/2015	Adams et al.	
8,261,738 B2	9/2012	Denyer et al.	2015/0352281 A1	10/2015	Pfrang	
8,403,861 B2	3/2013	Williams et al.	2016/0045681 A1	2/2016	Cheatham, III et al.	
8,424,517 B2	4/2013	Sutherland et al.	2016/0045682 A1	2/2016	Boyden et al.	
8,464,707 B2	6/2013	Jongejan et al.	2016/0045683 A1	2/2016	Cheatham, III et al.	
8,550,067 B2	10/2013	Bruce et al.	2016/0045685 A1	2/2016	Hyde et al.	
8,607,783 B2	12/2013	Takei et al.	2016/0051776 A1	2/2016	Von Hollen	
8,807,131 B1	8/2014	Tunnell et al.	2016/0058960 A1	3/2016	Papania et al.	
9,035,765 B2	5/2015	Engelhard et al.	2016/0082208 A1	3/2016	Ballam et al.	
D731,050 S *	6/2015	Meyer	2016/0106375 A1	4/2016	Leydon	
		A61M 16/0006 D24/110.5	2016/0106935 A1	4/2016	Sezan et al.	
9,072,846 B2	7/2015	Helmlinger	2016/0129182 A1	5/2016	Schuster et al.	
9,242,056 B2	1/2016	Andersen et al.	2016/0129206 A1	5/2016	Engelbreth	
D757,926 S	5/2016	Van Sickle et al.	2016/0136366 A1	5/2016	Bennett	
9,352,107 B2	5/2016	Von Hollen et al.	2016/0136367 A1	5/2016	Varney	
9,427,534 B2	8/2016	Bruin et al.	2016/0144141 A1	5/2016	Biwas et al.	
9,452,317 B2	9/2016	Arkush	2016/0144142 A1	5/2016	Baker et al.	
9,468,729 B2	10/2016	Sutherland et al.	2016/0166766 A1	6/2016	Schuster et al.	
D771,800 S	11/2016	Engelhard et al.	2016/0184535 A1	6/2016	Edwards et al.	
D776,804 S *	1/2017	Meyer	2016/0193436 A1	7/2016	Khasawneh	
		A61M 16/0006 D24/110	2016/0213868 A1	7/2016	Khasawneh et al.	
D778,429 S *	2/2017	Engelbreth	2016/0256639 A1	9/2016	Van Sickle et al.	
D780,906 S *	3/2017	Engelbreth	2016/0287139 A1	10/2016	Luttrell	
9,764,104 B2	9/2017	Gumaste et al.	2016/0314256 A1	10/2016	Su et al.	
9,782,551 B2	10/2017	Morrison et al.	2016/0325058 A1	11/2016	Samson et al.	
2002/0090601 A1	7/2002	Strupat et al.	2016/0331917 A1	11/2016	Bennett et al.	
			2016/0339187 A1	11/2016	Smaldone	
			2016/0339190 A1	11/2016	Morrison et al.	
			2016/0354562 A1	12/2016	Morrison	

(56)

References Cited

U.S. PATENT DOCUMENTS

2017/0020776 A1 1/2017 Khasawneh et al.
 2017/0127945 A1 5/2017 Reed
 2017/0173282 A1 6/2017 O'Sullivan et al.
 2017/0296772 A1 10/2017 Costella et al.
 2017/0333645 A1 11/2017 Alizoti et al.
 2017/0333661 A1 11/2017 Bennett et al.
 2018/0008790 A1 1/2018 Costella et al.
 2019/0366023 A1* 12/2019 Alizoti A61M 16/127

FOREIGN PATENT DOCUMENTS

EP 0387222 B1 7/1993
 EP 0824023 A1 2/1998
 EP 0617628 B1 5/1998
 EP 1338296 A1 8/2003
 EP 1330283 B1 9/2006
 EP 1993642 B1 1/2012
 EP 1670533 B1 7/2012
 EP 2300083 B1 5/2013
 EP 2609954 A2 7/2013
 EP 2376156 B1 1/2014
 EP 2859906 A1 4/2015
 EP 2563436 B1 10/2015
 EP 2512566 B1 5/2016
 EP 1613214 B1 10/2016
 EP 3053620 A3 10/2016
 EP 3097937 A1 11/2016
 GB 2406283 A 3/2005
 GB 2479953 A 2/2011
 GB 2490770 A 11/2012
 GB 2512047 A 9/2014
 GB 2479953 B 4/2015
 WO WO9010470 A1 9/1990
 WO WO9207599 A1 5/1992
 WO WO9312823 A2 7/1993
 WO WO9507723 A1 2/1995
 WO WO9522365 A1 8/1995
 WO WO9729799 A2 8/1997
 WO WO9911310 A1 3/1999
 WO WO0205879 A1 1/2002
 WO WO0209574 A2 2/2002
 WO WO02058771 A1 8/2002
 WO WO03020349 A2 3/2003
 WO WO03063937 A1 8/2003
 WO WO03092576 A2 11/2003
 WO WO03107523 A1 12/2003
 WO WO2005042076 A1 5/2005
 WO WO2005074455 A2 8/2005
 WO WO2006123956 A1 11/2006
 WO WO2007101438 A1 9/2007
 WO WO2008112353 A2 9/2008
 WO WO2009022139 A1 2/2009
 WO WO2010023591 A2 3/2010
 WO WO2010023591 A3 3/2010
 WO WO2010110682 A1 9/2010
 WO WO2010114392 A1 10/2010
 WO WO2011003017 A1 1/2011
 WO WO2011073806 A1 6/2011
 WO WO2011083377 A1 7/2011
 WO WO2011089486 A1 7/2011
 WO WO2011089489 A1 7/2011
 WO WO2011089490 A1 7/2011

WO WO2011130183 A2 10/2011
 WO WO2011130583 A2 10/2011
 WO WO2011135353 A1 11/2011
 WO WO2012038861 A1 3/2012
 WO WO2012064540 A2 5/2012
 WO WO2012173992 A1 12/2012
 WO WO2013028705 A2 2/2013
 WO WO2013042002 A1 3/2013
 WO WO2013043063 A1 3/2013
 WO WO2013061240 A1 5/2013
 WO WO2013061248 A1 5/2013
 WO WO2013098334 A1 7/2013
 WO WO2013124624 A1 8/2013
 WO WO2014004437 A1 1/2014
 WO WO2014033229 A1 3/2014
 WO WO2014147550 A1 9/2014
 WO WO2014202923 A1 12/2014
 WO WO2014204511 A3 12/2014
 WO WO2015002652 A1 1/2015
 WO WO2015004554 A1 1/2015
 WO WO2015004559 A2 1/2015
 WO WO2015006701 A2 1/2015
 WO WO2015008013 A1 1/2015
 WO WO2015022595 A1 2/2015
 WO WO2015030610 A2 3/2015
 WO WO2015031472 A1 3/2015
 WO WO2015036010 A3 3/2015
 WO WO2015036723 A1 3/2015
 WO WO2015052519 A1 4/2015
 WO WO2015104522 A1 7/2015
 WO WO2015109259 A1 7/2015
 WO WO2015114285 A1 8/2015
 WO WO2015128173 A1 9/2015
 WO WO2015133909 A1 9/2015
 WO WO2015138454 A1 9/2015
 WO WO2015144442 A1 10/2015
 WO WO2015150029 A1 10/2015
 WO WO2015154864 A2 10/2015
 WO WO2015154865 A2 10/2015
 WO WO2015174856 A1 11/2015
 WO WO2015178907 A1 11/2015
 WO WO2016025553 A1 2/2016
 WO WO2016030521 A1 3/2016
 WO WO2016033419 A1 3/2016
 WO WO2016033421 A1 3/2016
 WO WO2016043601 A1 3/2016
 WO WO2016048435 A1 3/2016
 WO WO2016049066 A1 3/2016
 WO WO2016060863 A3 4/2016
 WO WO 2016/079461 A1 5/2016
 WO WO2016075525 A1 5/2016
 WO WO2016081294 A1 5/2016
 WO WO2016085988 A2 6/2016
 WO WO2016090260 A1 6/2016
 WO WO 2016/110804 A1 7/2016
 WO WO2016111633 A1 7/2016
 WO WO2016116591 A1 7/2016
 WO WO2016162699 A1 10/2016
 WO WO2016165029 A1 10/2016
 WO WO2016181048 A1 11/2016
 WO WO 2017/071879 A1 5/2017
 WO WO 2017/178776 A1 10/2017
 WO WO 2017/187116 A1 11/2017
 WO WO 2017/194906 A1 11/2017

* cited by examiner

FIG. 1

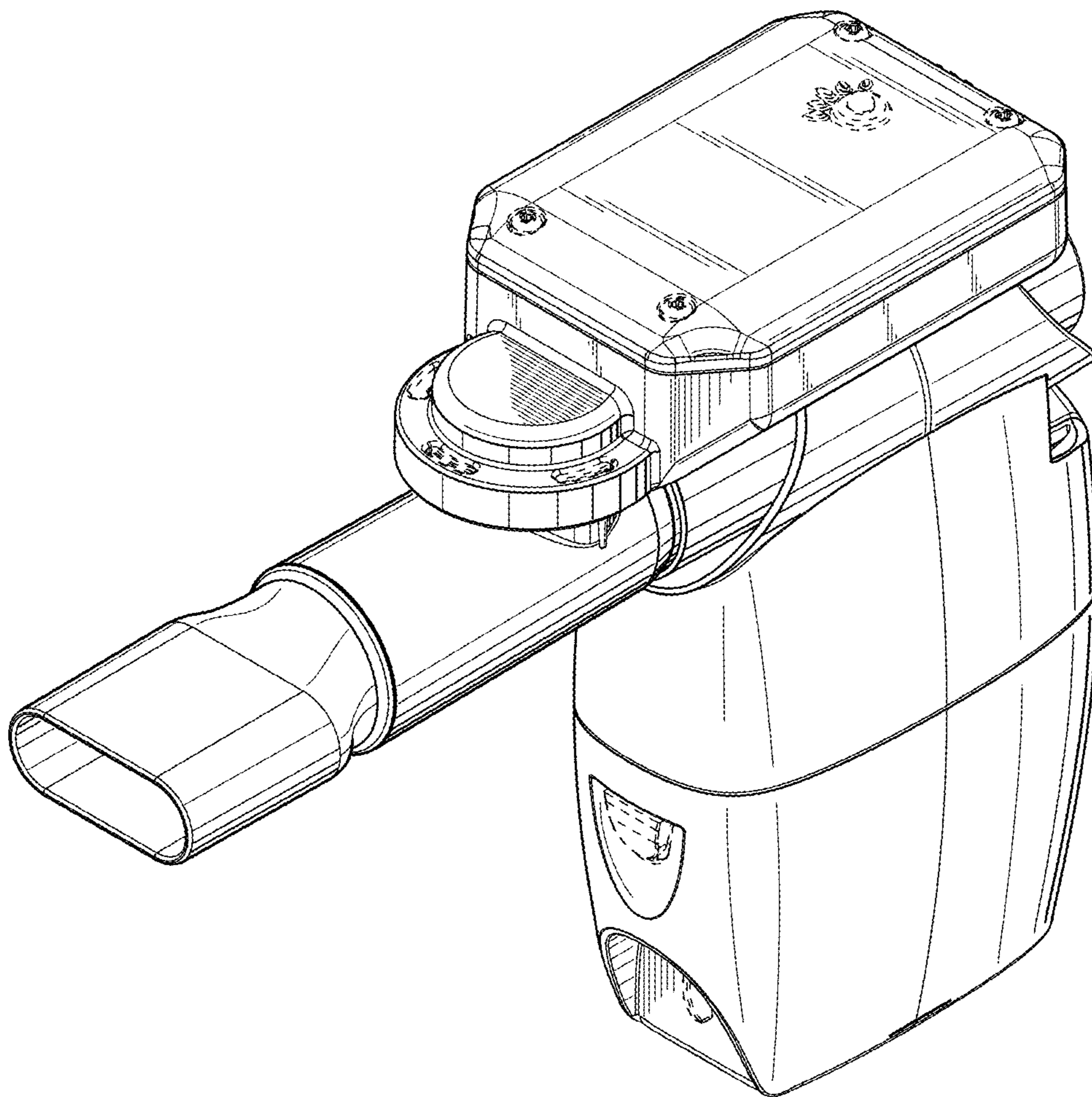


FIG. 2

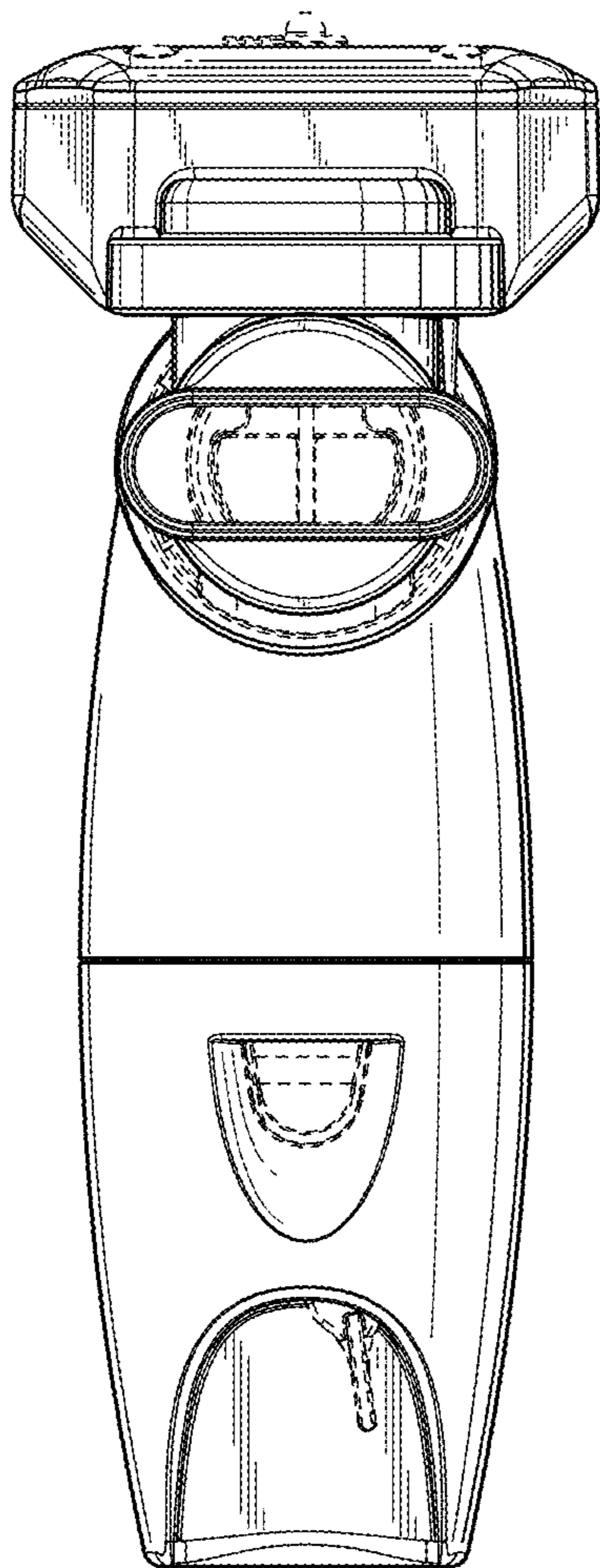


FIG. 3

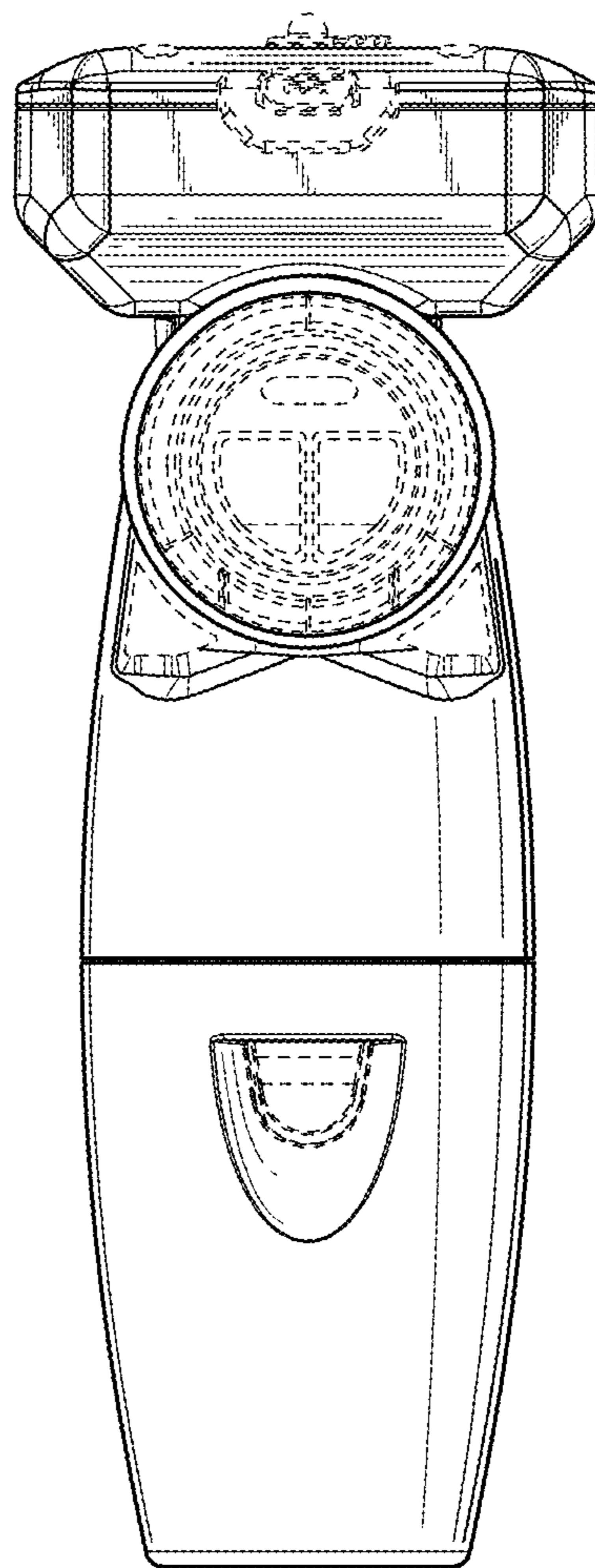


FIG. 4

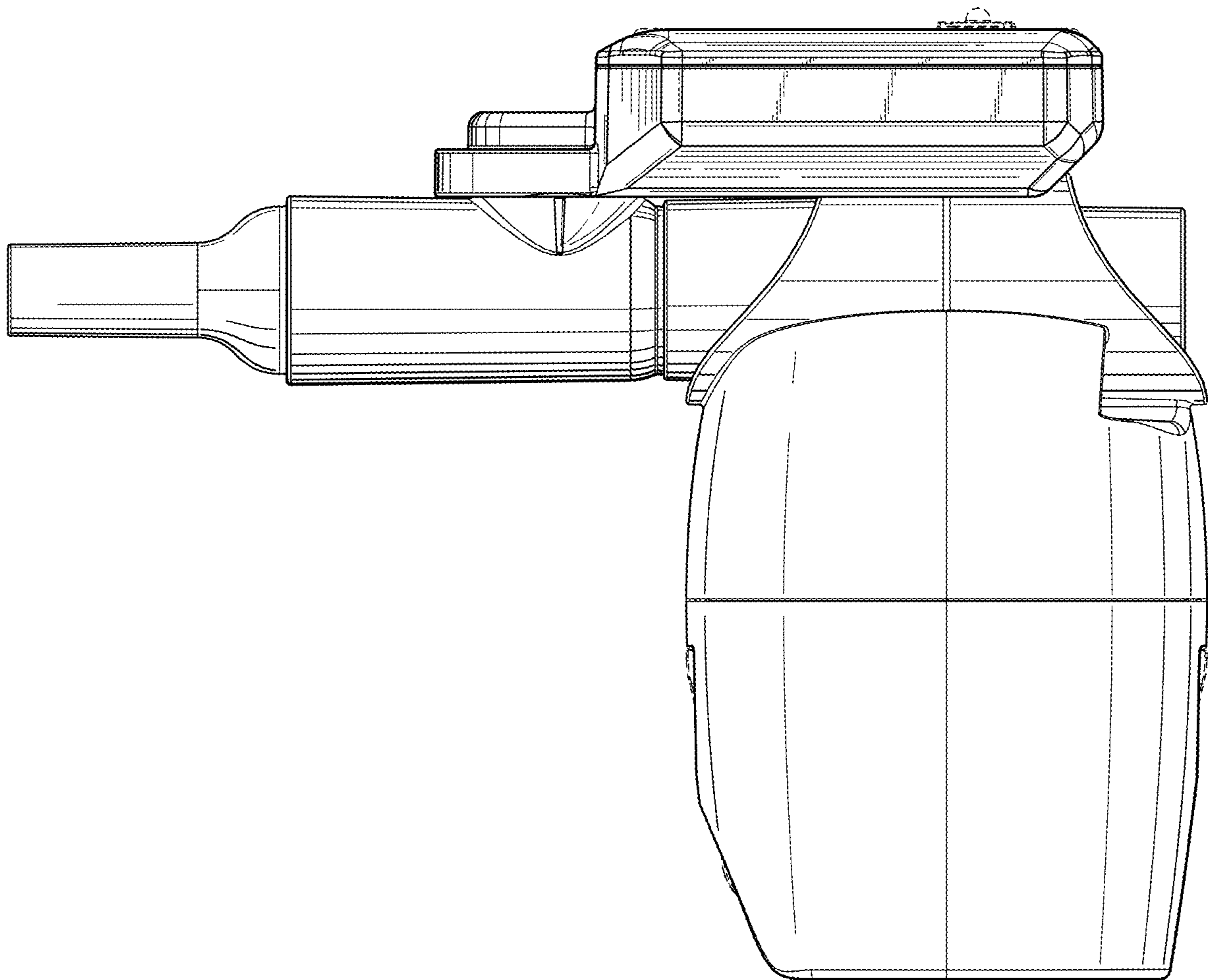


FIG. 5

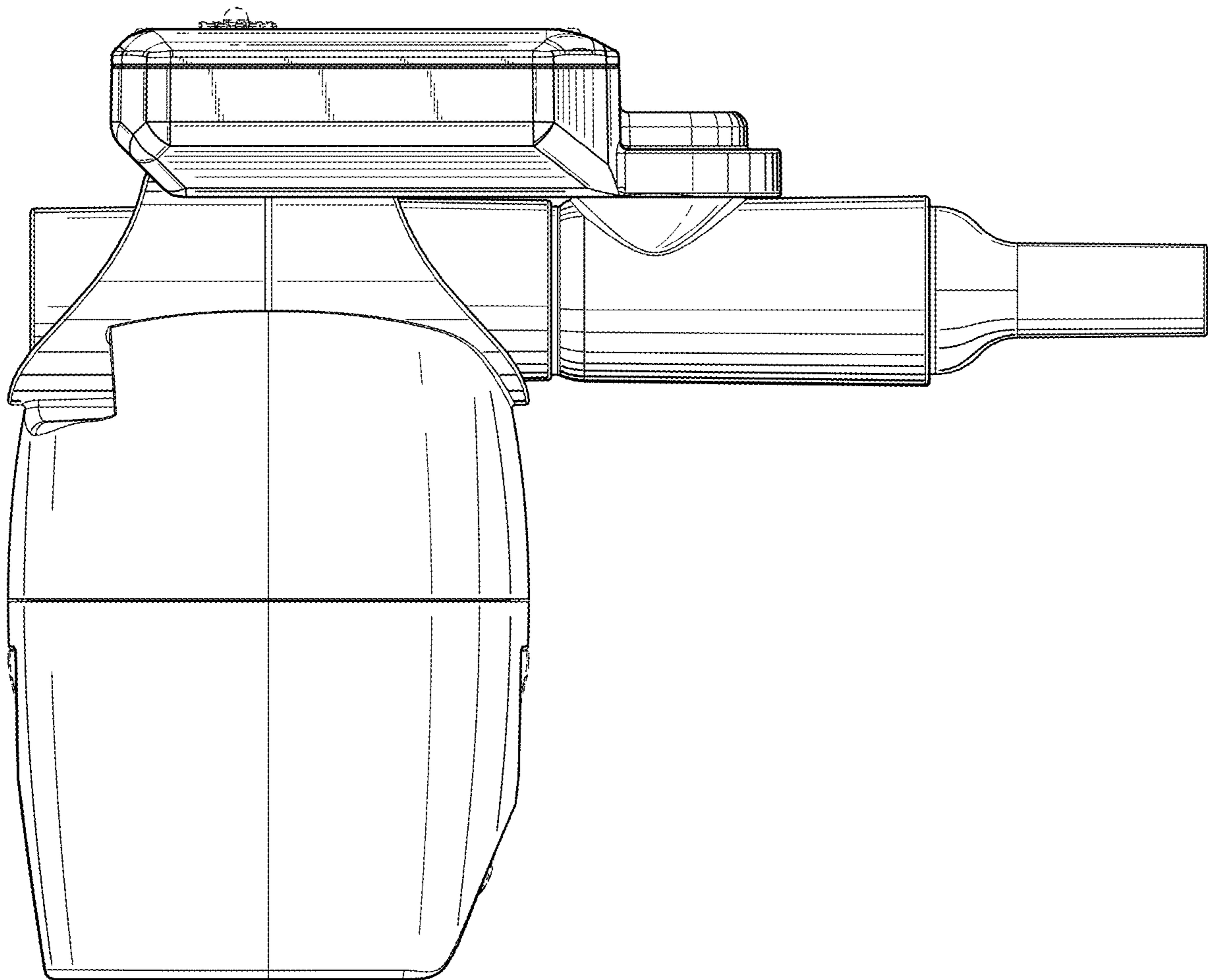


FIG. 6

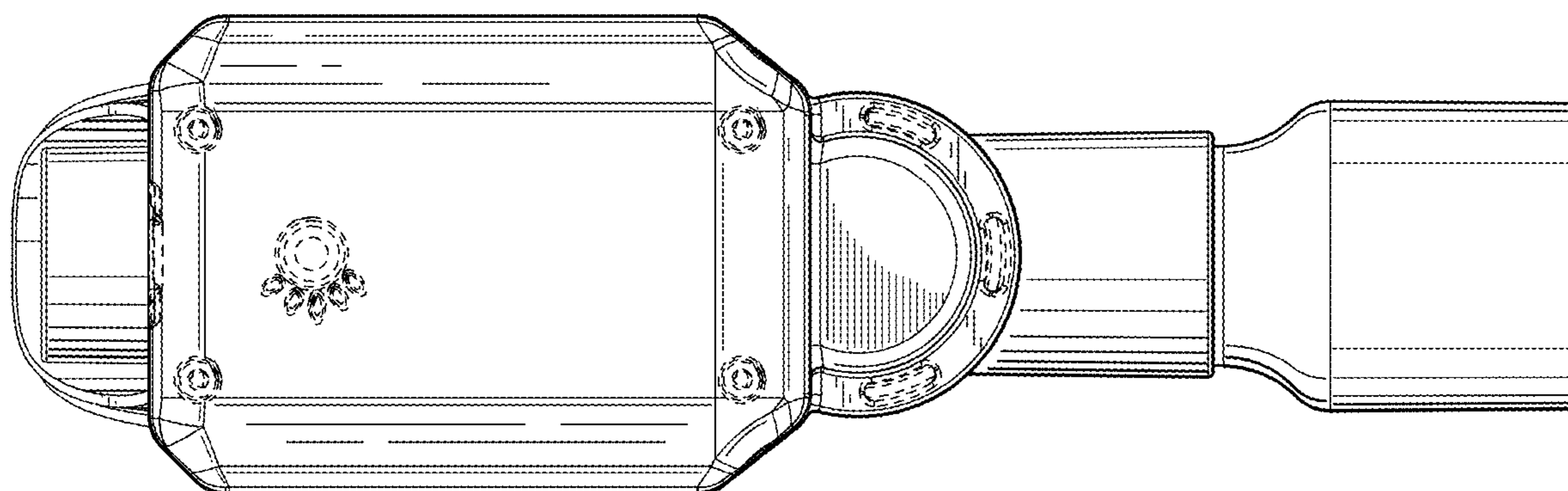


FIG. 7

