

US00D910161S

(12) **United States Design Patent**
Lambertson

(10) **Patent No.:** **US D910,161 S**
(45) **Date of Patent:** **** Feb. 9, 2021**

- (54) **MULTI-STAGE FILTER**
- (71) Applicant: **STREIVOR, INC.**, Livermore, CA (US)
- (72) Inventor: **Jeffrey S. Lambertson**, Danville, CA (US)
- (73) Assignee: **Streivor, Inc.**, Livermore, CA (US)

2,071,806 A * 2/1937 Walker B01D 46/0005
55/499
2,230,765 A * 2/1941 Shimer B01D 46/10
55/483
D179,839 S 3/1957 Dreyfuss
2,812,038 A * 11/1957 Krueger B01D 46/10
95/273

(Continued)

(**) Term: **15 Years**

(21) Appl. No.: **29/661,668**

(22) Filed: **Aug. 29, 2018**

Related U.S. Application Data

(60) Division of application No. 29/570,945, filed on Jul. 13, 2016, now Pat. No. Des. 837,965, which is a continuation of application No. 14/284,350, filed on May 21, 2014, now Pat. No. 9,732,966, which is a continuation-in-part of application No. 13/363,128, filed on Jan. 31, 2012, now abandoned.

(51) **LOC (13) Cl.** **23-04**

(52) **U.S. Cl.**
USPC **D23/386**

(58) **Field of Classification Search**

USPC D23/317, 330, 333, 335-340, 354, 364,
D23/365, 370, 381, 392, 393, 395, 406,
D23/412; 55/332, 337, 486; 126/299 D,
126/299 E; D9/432; D15/5; 210/130,
210/136, 248, 339, 435, 448, 452, 497.1
CPC B01D 39/1615; B01D 50/002; B01D
46/0026; B01D 46/10; B01D 46/005;
B01D 46/0036; B01D 46/0086; F24C
15/20; F24C 15/2035; Y10T 29/49826

See application file for complete search history.

(56) **References Cited**

U.S. PATENT DOCUMENTS

1,542,529 A * 6/1925 Runback B01D 46/12
55/486
2,062,649 A * 12/1936 Hegan B01D 46/10
55/305

FOREIGN PATENT DOCUMENTS

WO 2015179670 11/2015
WO 2015179670 2/2016
WO 2015179670 3/2016

OTHER PUBLICATIONS

“Kitchen Hood Filters / Baffle Filters / Hood Filters.” indiamart.com. Date not available. Accessed Sep. 8, 2020. Available online at URL: <https://www.indiamart.com/proddetail/kitchen-hood-filters-baffle-filters-hood-filters-3838753191.html> (Year: N/A).*

(Continued)

Primary Examiner — Christian P. McLean

(74) *Attorney, Agent, or Firm* — Kilpatrick Townsend & Stockton LLP

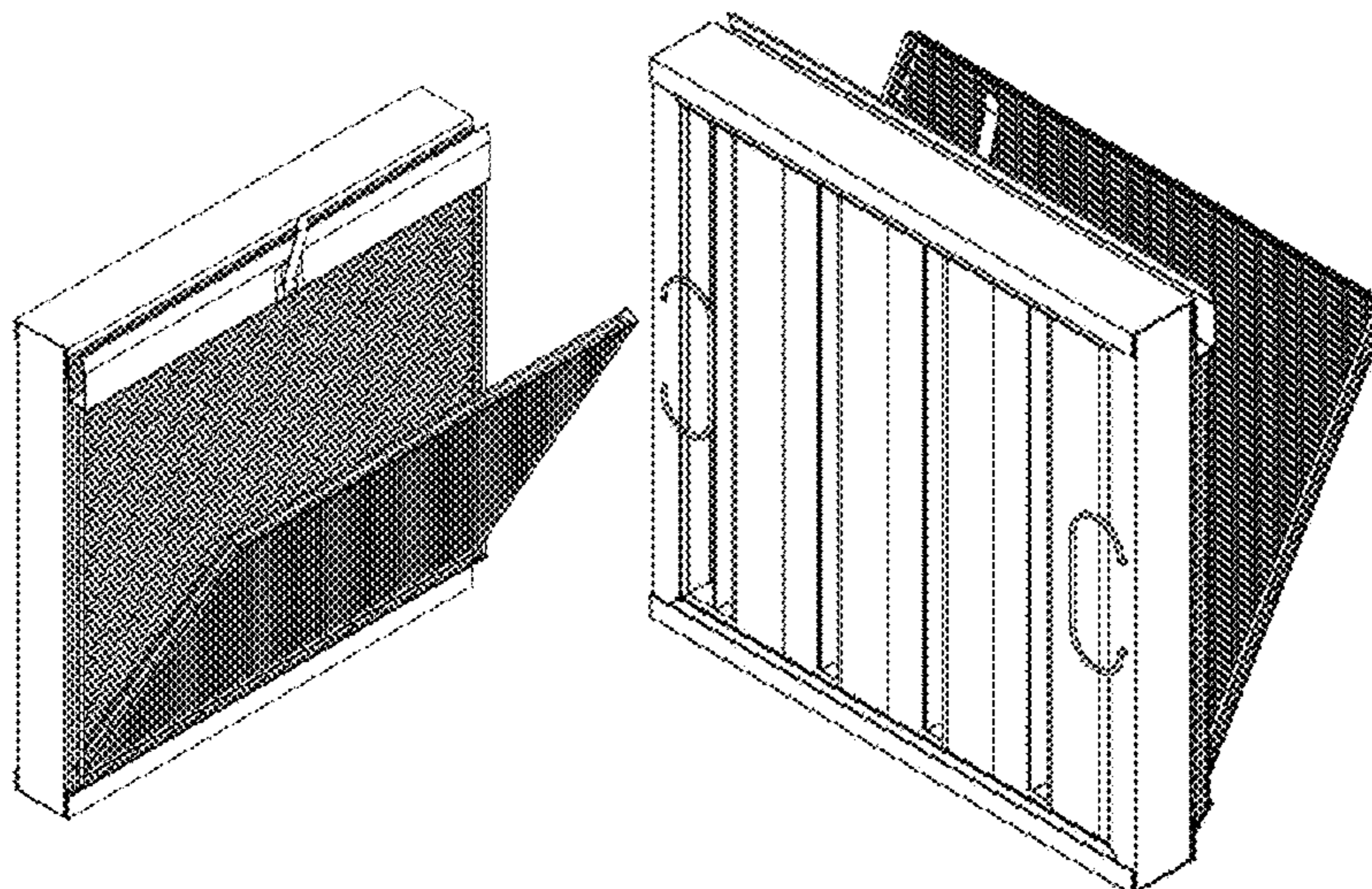
(57) **CLAIM**

The ornamental design for a multi-stage filter, as shown and described.

DESCRIPTION

FIG. 1 is a front isometric perspective view of an multi-stage filter showing my new design;
FIG. 2 is a back isometric perspective view thereof;
FIG. 3 is a front profile view thereof; and,
FIG. 4 is a back profile view thereof.

1 Claim, 4 Drawing Sheets



(56)

References Cited

U.S. PATENT DOCUMENTS

2,862,437 A 12/1958 Smith et al.
D195,108 S * 4/1963 Sundberg et al. D23/354
3,164,456 A * 1/1965 Brainerd, Jr. B01D 46/523
55/500
D200,516 S * 3/1965 Miller D23/335
3,177,637 A * 4/1965 Davis B01D 46/0013
55/483
3,357,763 A 12/1967 Toper et al.
3,500,740 A 3/1970 Aubrey
3,618,659 A 11/1971 Rawal
3,620,375 A * 11/1971 Atkins B01D 46/521
210/484
D234,692 S * 4/1975 Laakkonen D23/364
D236,471 S 8/1975 Steven
3,910,782 A 10/1975 Struble et al.
D244,691 S * 6/1977 Morrison D23/365
4,089,327 A 5/1978 Welsh et al.
4,186,727 A 2/1980 Kaufman et al.
4,200,087 A 4/1980 Welsh
4,350,504 A 9/1982 Diachuk
D270,275 S * 8/1983 Morrow D23/354
4,610,705 A 9/1986 Sarnosky et al.
D300,457 S 3/1989 Miyake et al.
4,902,316 A 2/1990 Giles et al.
4,955,995 A 9/1990 Pontius
5,015,377 A * 5/1991 Silvera B01D 46/10
210/323.2
5,141,540 A 8/1992 Helmus
D334,053 S * 3/1993 Cook D23/370
5,449,469 A 9/1995 Burklund et al.
5,743,927 A * 4/1998 Osendorf B01D 46/0005
55/497
D414,854 S * 10/1999 Omaki D23/364
5,989,303 A * 11/1999 Hodge B01D 46/0032
55/486
6,110,245 A * 8/2000 Schlag B01D 46/001
454/184
6,149,701 A * 11/2000 Ellingson B01D 46/0005
55/385.1
6,293,983 B1 9/2001 More
6,394,083 B1 5/2002 Lambertson
6,712,869 B2 3/2004 Cheng et al.
6,764,533 B2 7/2004 Lobiondo et al.
6,797,041 B2 9/2004 Brownell et al.
6,814,660 B1 * 11/2004 Cavett B01D 46/0005
454/284
6,833,022 B2 12/2004 Feisthammel et al.
7,041,159 B2 5/2006 Entezarian et al.
D538,418 S 3/2007 Pippel et al.
D544,949 S * 6/2007 Winters D23/365
7,316,720 B2 1/2008 Cuppari et al.
D581,510 S 11/2008 Albano et al.
D583,042 S * 12/2008 Jackson D23/392
7,581,539 B2 9/2009 Aviles
D614,276 S 4/2010 Harris et al.
7,785,382 B2 8/2010 Morton
8,021,455 B2 9/2011 Adamek et al.
8,062,403 B2 * 11/2011 Goode B01D 46/12
55/485
D657,858 S * 4/2012 Platt D23/365
D657,859 S * 4/2012 Platt D23/365
8,182,588 B2 5/2012 Morton
8,277,530 B2 10/2012 Alexander et al.
8,535,404 B2 * 9/2013 Crabtree B01D 46/521
55/385.6
D697,190 S 1/2014 Ainley et al.
8,915,983 B2 12/2014 Broßmann et al.
D725,254 S * 3/2015 Roblin D23/365
D726,892 S 4/2015 Chan
D738,998 S * 9/2015 Laver D23/365
9,242,200 B2 1/2016 Alexander et al.
D767,748 S 9/2016 Nakai et al.
D773,626 S 12/2016 Nishiguchi et al.
9,732,966 B2 8/2017 Lambertson

D800,893 S 10/2017 Krob, Jr. et al.
D815,725 S 4/2018 Burkhart
D837,965 S * 1/2019 Lambertson F24C 15/20
D23/386
10,512,869 B2 12/2019 Lambertson
10,538,021 B2 * 1/2020 Morimoto B29C 45/345
10,712,027 B2 * 7/2020 Gallo F24F 13/28
D894,360 S * 8/2020 Perez D23/365
2003/0164093 A1 9/2003 Brownell et al.
2004/0107834 A1 6/2004 Feisthammel et al.
2004/0107956 A1 6/2004 Lee
2005/0204714 A1 * 9/2005 Sundet B01D 46/10
55/497
2005/0223686 A1 * 10/2005 Jeong B01D 46/521
55/497
2006/0016339 A1 1/2006 Mirza
2006/0157048 A1 7/2006 Heilman
2007/0245703 A1 10/2007 Randinelli et al.
2007/0293133 A1 * 12/2007 Marcotte F24C 15/2035
454/67
2009/0145060 A1 * 6/2009 Kailani B01D 46/0002
52/202
2010/0071324 A1 3/2010 Alexander et al.
2010/0071326 A1 3/2010 Alexander et al.
2010/0319676 A1 12/2010 Morton et al.
2012/0192534 A1 8/2012 Lambertson et al.
2013/0007998 A1 1/2013 Alexander et al.
2014/0096493 A1 * 4/2014 Kelmartin B01D 46/002
55/482
2014/0130468 A1 * 5/2014 Jackson B01D 46/0005
55/482
2014/0250844 A1 9/2014 Lambertson
2015/0241070 A1 8/2015 Lin
2015/0265959 A1 * 9/2015 Crabtree A01K 1/0047
55/485
2015/0328566 A1 11/2015 Oosthuizen
2015/0362196 A1 * 12/2015 Chen F24C 15/2035
55/437
2016/0131033 A1 * 5/2016 Herrmann B01D 46/0005
55/482
2016/0214046 A1 * 7/2016 Jursich B01D 46/0005
2016/0271553 A1 9/2016 Salpietra
2017/0001135 A1 * 1/2017 Paramore B01D 46/0082
2017/0354910 A1 12/2017 Lambertson
2018/0207569 A1 * 7/2018 Salpietra B01D 45/06
2019/0046909 A1 * 2/2019 Haas B01D 46/10
2020/0147539 A1 * 5/2020 Michael B60H 3/0608
2020/0155989 A1 * 5/2020 Cueman B01D 46/0038

OTHER PUBLICATIONS

“Canopy Filters Stainless Steel Baffle Filter 445HX445VVX48MM.”
Date not available. Accessed Sep. 8, 2020. Available online at URL:
<http://www.kamilcatering.co.uk/product/canopy-filters-stainless-steel-baffle-filter-445hx445wx48mm/> (Year: N/A).*

“Captrate Combo Filter”, Available online at www.captiveaire.com/CatalogContentUHoods/Accessories/captrate/index.asp, Accessed from internet on Jan. 20, 2011, 4 pages.

“ExactAire Baffle Filters”, Available online at <https://web.archive.org/web/20161023020551/https://www.streivor.com/ventilation/grease-filters/extractaire-baffle-filters>, Oct. 23, 2016, 1 page.

“Range Hood Accessories”, Available online at <https://web.archive.org/web/20150117033656/http://www.premiergrease.com/range-hood-accessories.html>, Jan. 17, 2015, 1 page.

U.S. Appl. No. 13/363,128 , “Final Office Action”, dated Apr. 3, 2014, 10 pages.

U.S. Appl. No. 13/363,128 , “Non Final Office Action”, dated May 31, 2013, 5 pages.

U.S. Appl. No. 13/363,128 , “Non Final Office Action”, dated Sep. 19, 2013, 9 pages.

U.S. Appl. No. 13/363,128 , “Non- Final Office Action”, dated Nov. 12, 2014, 11 Pages.

U.S. Appl. No. 14/284,350 , “Final Office Action”, dated Dec. 14, 2016, 10 pages.

(56)

References Cited

OTHER PUBLICATIONS

U.S. Appl. No. 14/284,350 , “Non-Final Office Action”, dated Aug. 18, 2016, 10 pages.

U.S. Appl. No. 14/284,350 , “Non-Final Office Action”, dated Apr. 7, 2016, 18 pages.

U.S. Appl. No. 14/284,350 , “Non-Final Office Action”, dated Nov. 23, 2015, 6 pages.

U.S. Appl. No. 14/284,350 , “Notice of Allowance”, dated Apr. 6, 2017, 9 pages.

U.S. Appl. No. 29/570,945 , “Non Final Office Action”, dated Jul. 10, 2018, 10 pages.

PCT/US2015/032018 , “International Preliminary Report on Patentability”, dated Dec. 1, 2016, 8 pages.

PCT/US2015/032018 , “International Search Report and Written Opinion”, dated Aug. 17, 2015, 10 pages.

U.S. Appl. No. 15/640,003 , “Non Final Office Action”, dated Feb. 13, 2019, 14 pages.

U.S. Appl. No. 15/640,003, “Notice of Allowance”, dated Jun. 19, 2019, 17 pages.

U.S. Appl. No. 29/570,945 , “Notice of Allowance”, dated Oct. 31, 2018, 9 pages.

U.S. Appl. No. 15/640,003, “Non-Final Office Action”, dated May 2, 2019, 7 pages.

U.S. Appl. No. 16/657,763, “Non-Final Office Action”, dated Aug. 31, 2020, 8 pages.

* cited by examiner

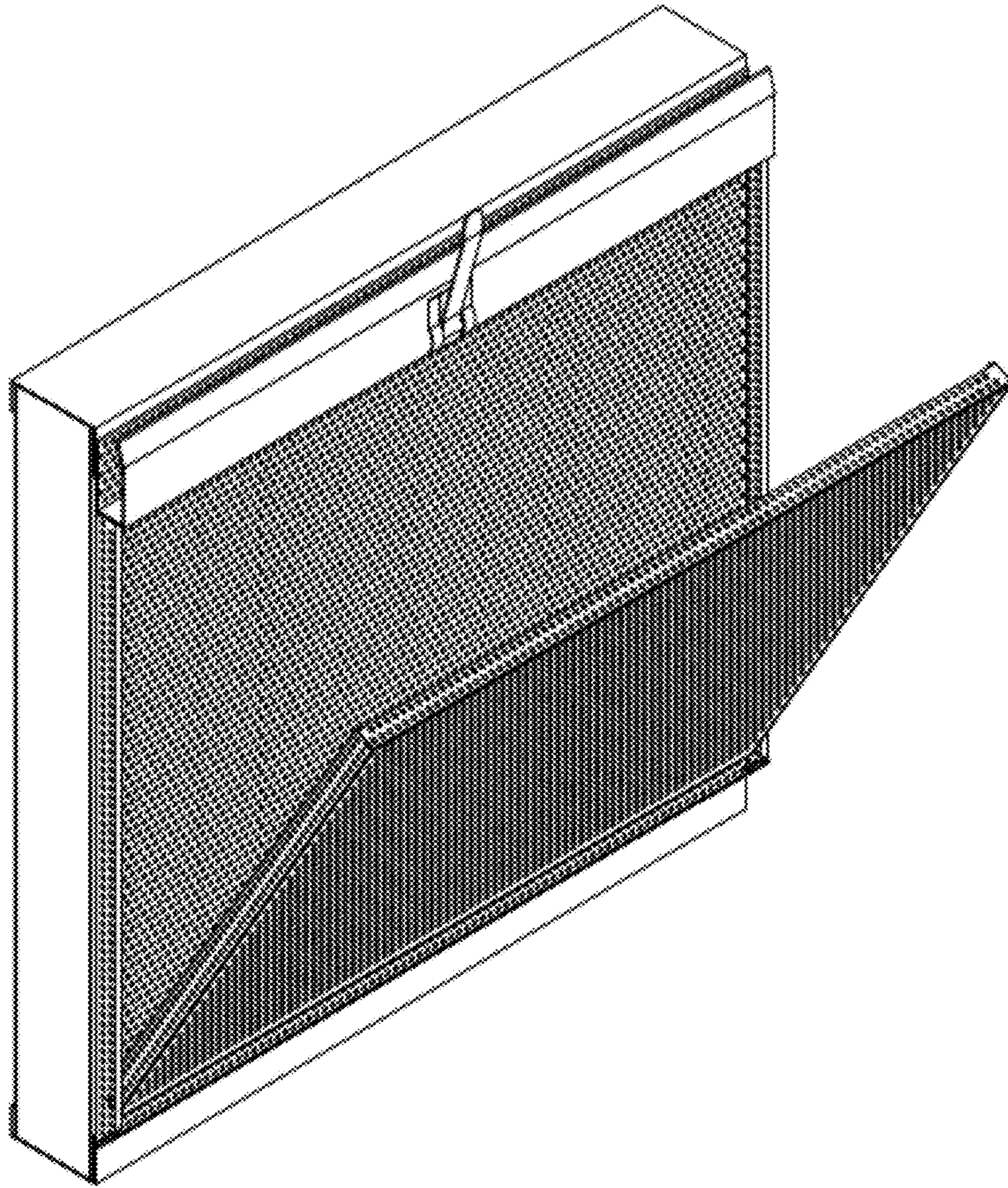


FIG. 1

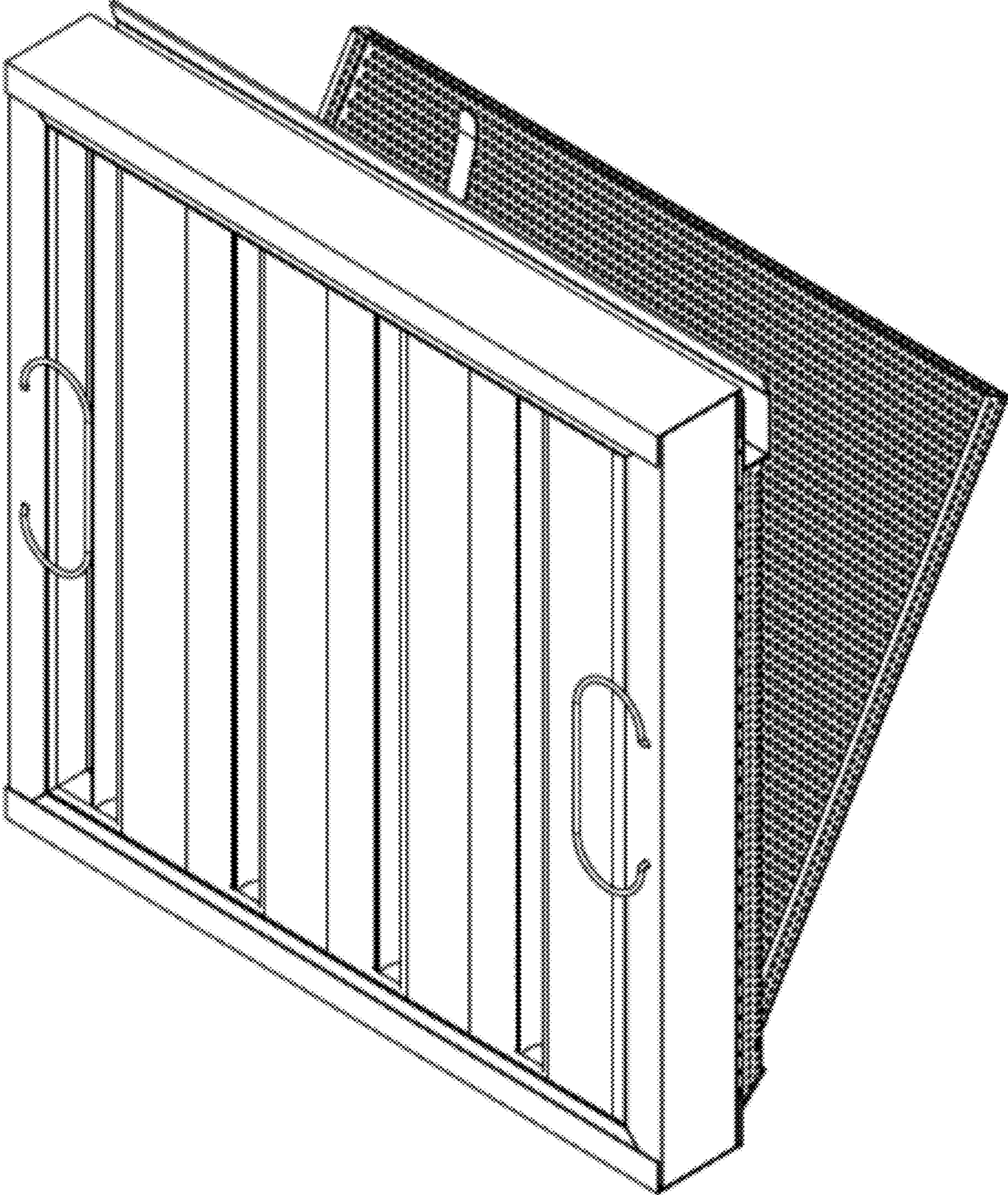


FIG. 2

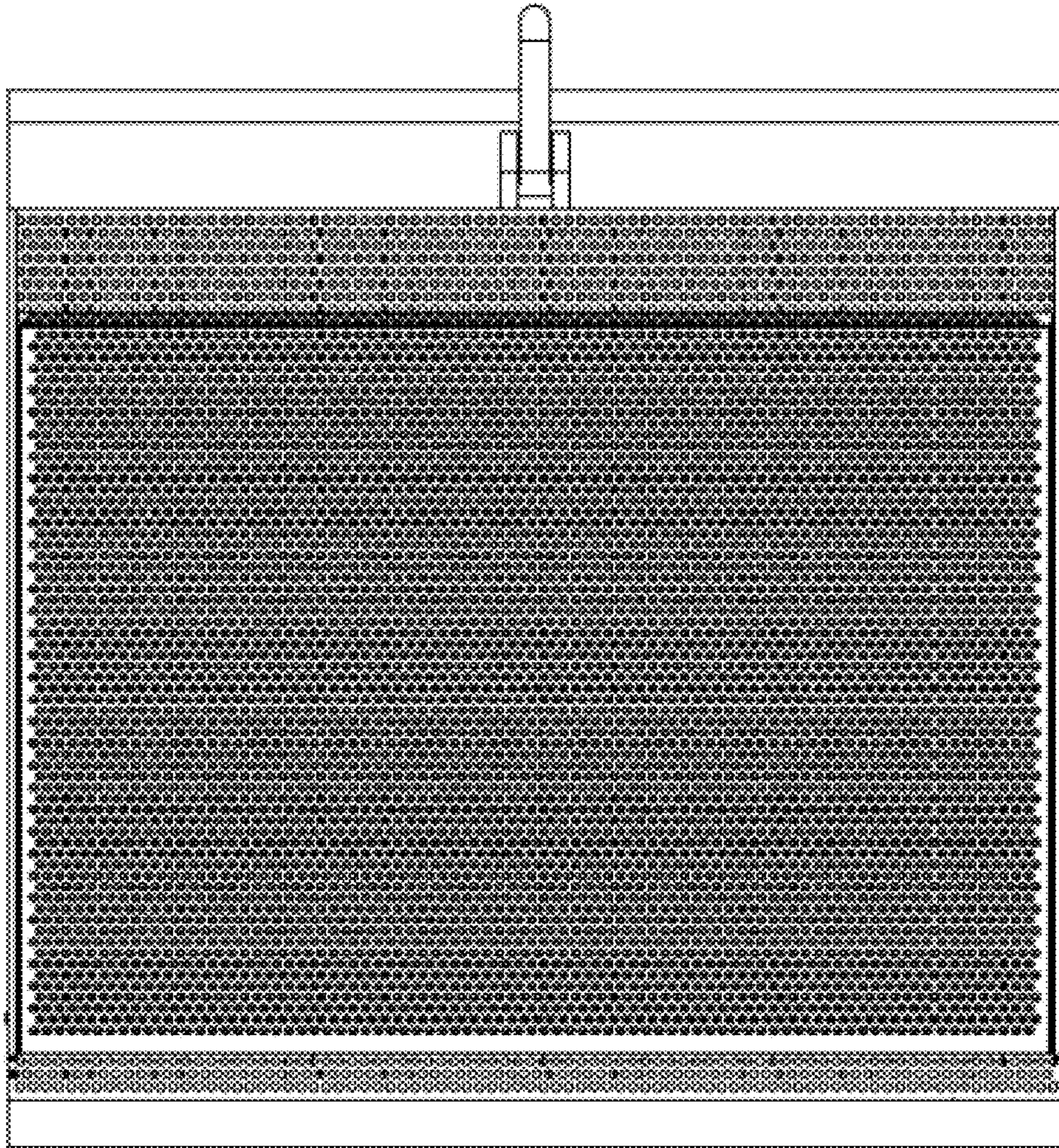


FIG. 3

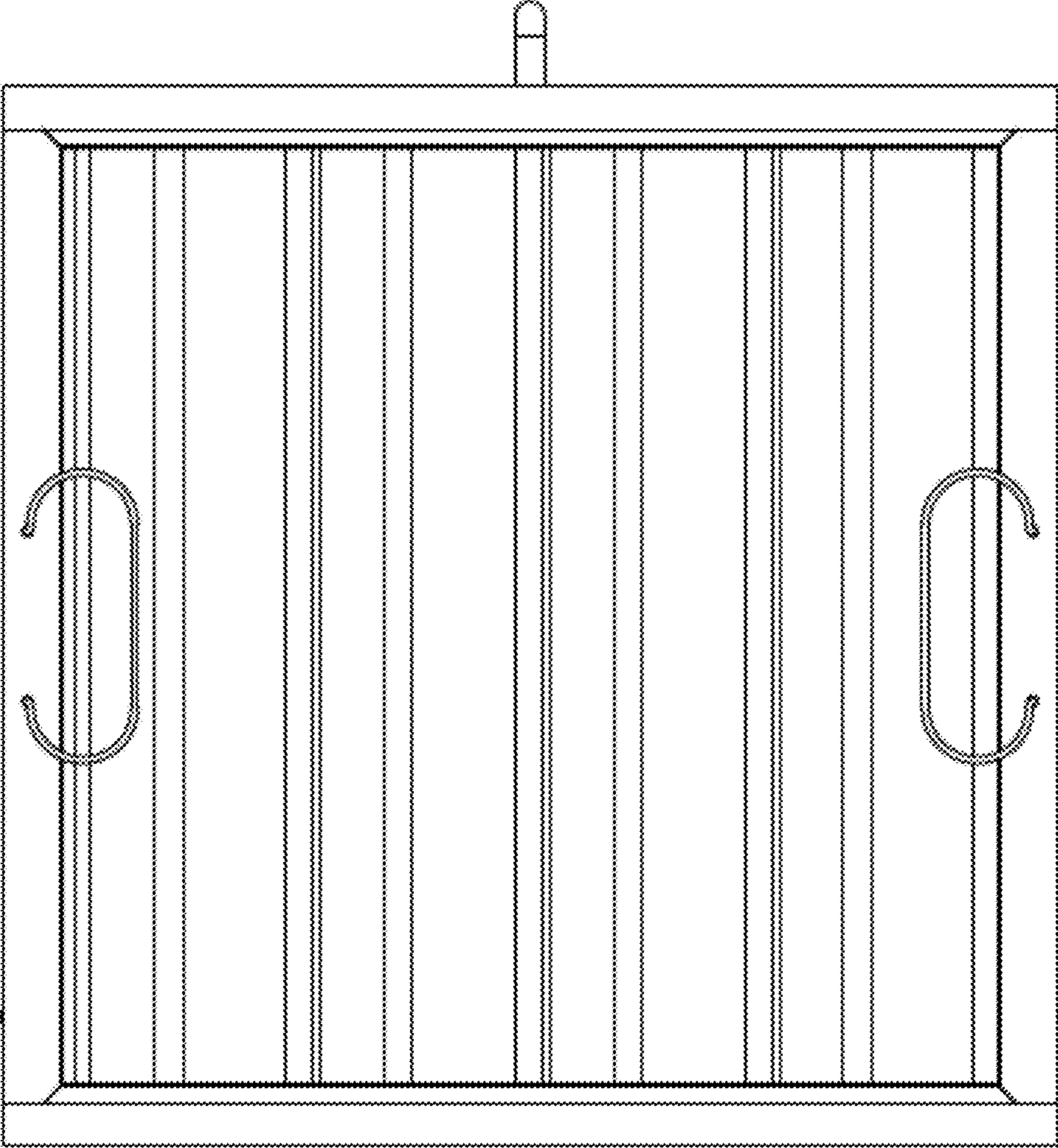


FIG. 4