



US00D910160S

(12) **United States Design Patent** (10) **Patent No.:** **US D910,160 S**  
**Hsu** (45) **Date of Patent:** **\*\* Feb. 9, 2021**

- (54) **FAN**
- (71) Applicant: **ARCTIC-AIR HOME APPLIANCE CO., LTD.**, Shenzhen (CN)
- (72) Inventor: **Kuei-Chih Hsu**, Shenzhen (CN)
- (73) Assignee: **ARCTIC-AIR HOME APPLIANCE CO., LTD.**, Shenzhen (CN)
- (\*\*) Term: **15 Years**
- (21) Appl. No.: **29/697,327**
- (22) Filed: **Jul. 8, 2019**
- (51) **LOC (13) Cl.** ..... **23-04**
- (52) **U.S. Cl.**  
USPC ..... **D23/382**
- (58) **Field of Classification Search**  
USPC ..... D23/332, 333, 335-337, 364, 370, 378,  
D23/379, 381-383  
CPC ..... F04D 25/08; F04D 29/38; F04D 29/384;  
F04D 29/386  
See application file for complete search history.

(56) **References Cited**

**U.S. PATENT DOCUMENTS**

D291,352 S *	8/1987	Kouno	.....	D23/378
D335,529 S *	5/1993	San-Jou	.....	D23/324
D372,772 S *	8/1996	Dubois	.....	D23/332
D384,144 S *	9/1997	DuBois	.....	D23/332
D387,150 S *	12/1997	Coonahan	.....	D23/332
D387,154 S *	12/1997	Chiang	.....	D23/332
D388,869 S *	1/1998	Wang	.....	D23/378
D424,681 S *	5/2000	Lozzio	.....	D23/378
6,439,521 B1 *	8/2002	Wilson	.....	B62B 9/00 248/226.11
D754,318 S *	4/2016	Thirouin	.....	D23/382
D875,232 S *	2/2020	Ediger	.....	D23/370
2020/0072411 A1 *	3/2020	Chen	.....	G03B 17/561

**OTHER PUBLICATIONS**

7 Best Fan for Baby Stroller Reviews in 2020, date posted Aug. 6, 2019, site visited Sep. 21, 2020, <<https://www.childrenforchildren.org/best-fan-for-baby-stroller/>>.\*

\* cited by examiner

*Primary Examiner* — Cathron C Brooks

*Assistant Examiner* — Sharon S Oum

(74) *Attorney, Agent, or Firm* — MLO, a professional corp.

(57) **CLAIM**

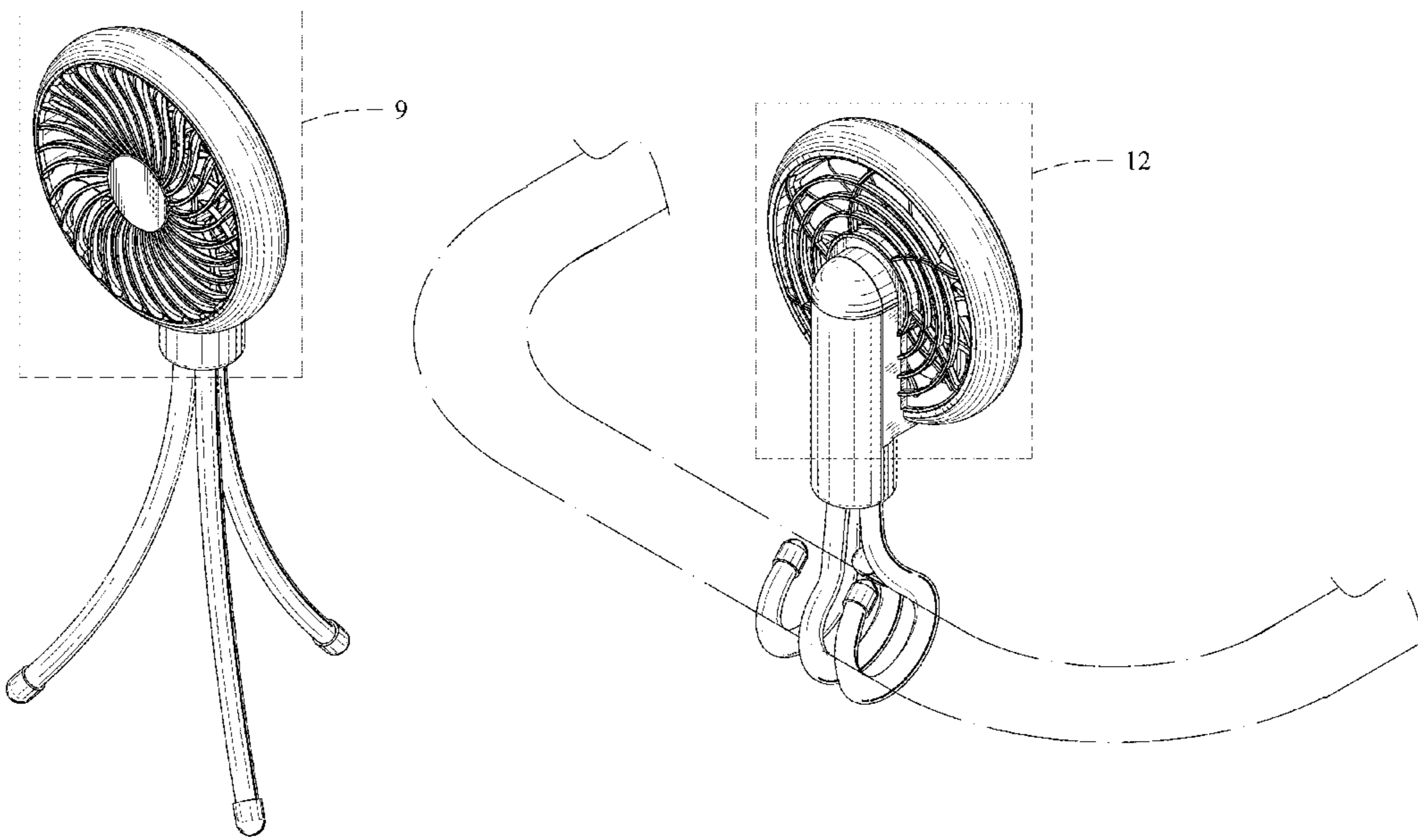
The ornamental design for a fan, as shown and described.

**DESCRIPTION**

FIG. 1 is a front perspective view of a fan showing my new design;  
 FIG. 2 is a front elevational view thereof;  
 FIG. 3 is a rear elevational view thereof;  
 FIG. 4 is a left side elevational view thereof;  
 FIG. 5 is a right side elevational view thereof;  
 FIG. 6 is a top plan view thereof;  
 FIG. 7 is a bottom plan view thereof;  
 FIG. 8 is a rear perspective view thereof in an alternative configuration;  
 FIG. 9 is an enlarged view of the rectangular region 9 of FIG. 1;  
 FIG. 10 is an enlarged view of the rectangular region 10 of FIG. 2;  
 FIG. 11 is an enlarged view of the rectangular region 11 of FIG. 3; and,  
 FIG. 12 is an enlarged view of the rectangular region 12 of FIG. 8.

The broken lines illustrate environmental structure that forms no part of the claimed design.

**1 Claim, 11 Drawing Sheets**



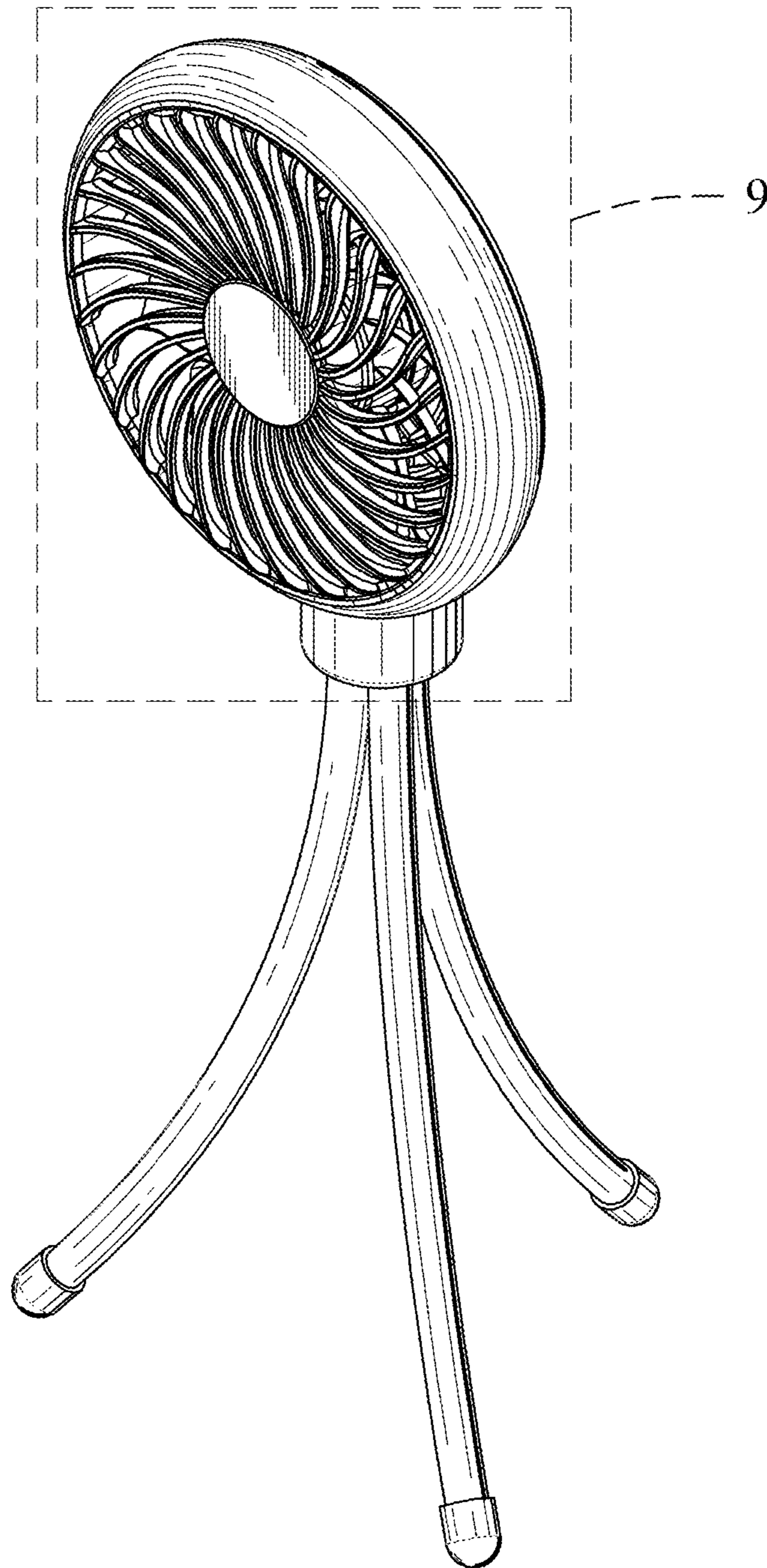


FIG. 1

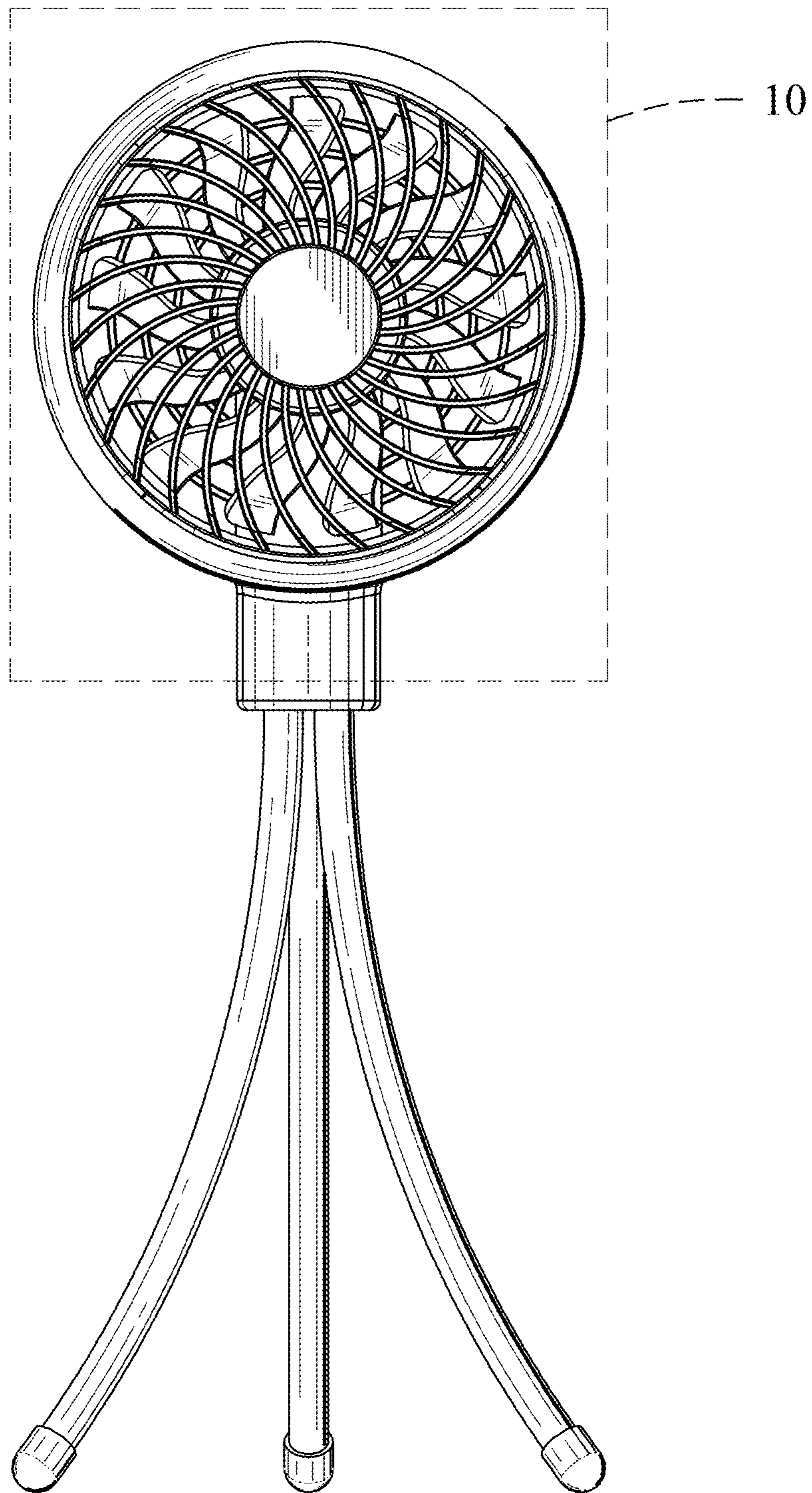


FIG. 2



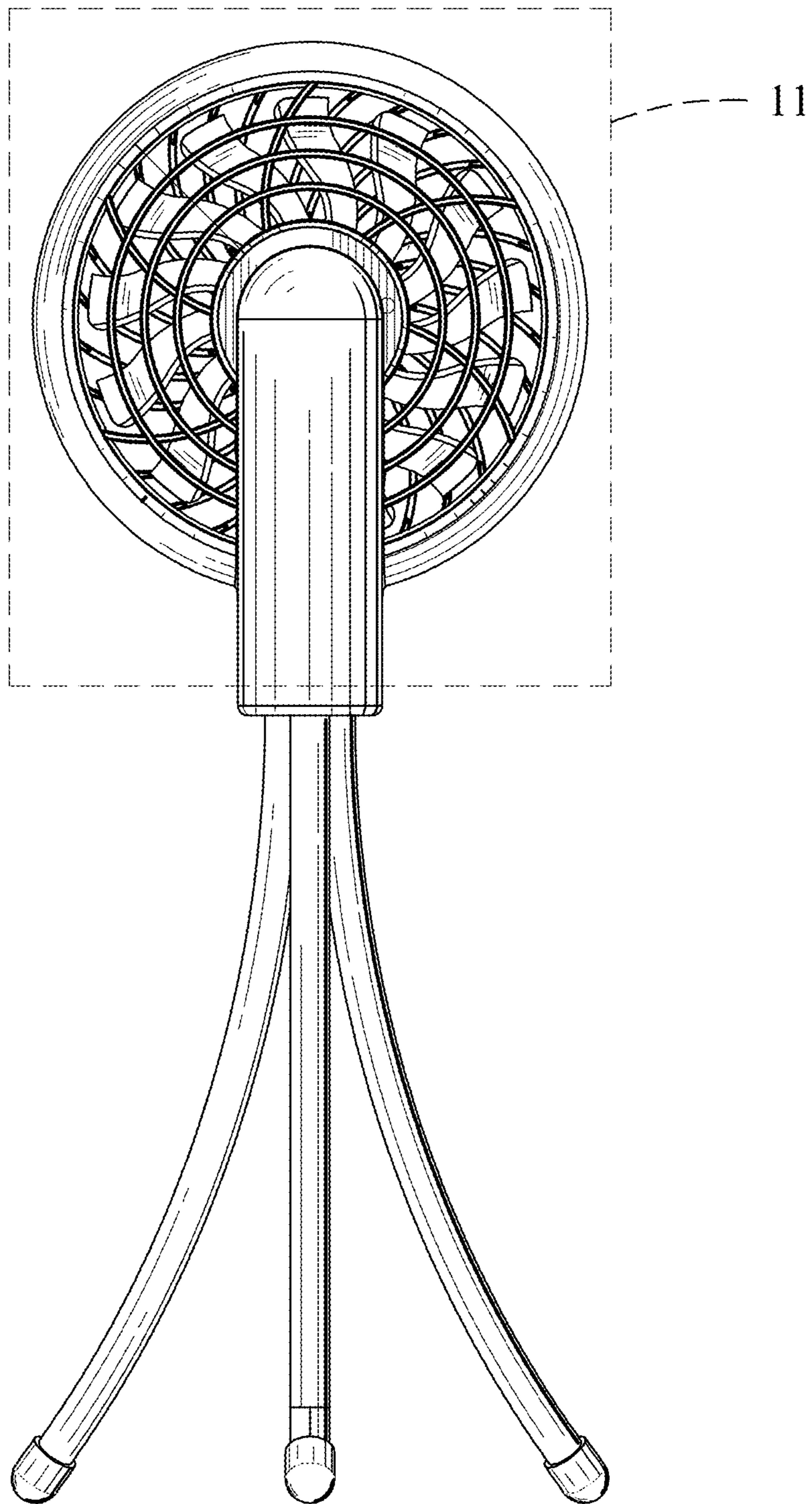


FIG. 3

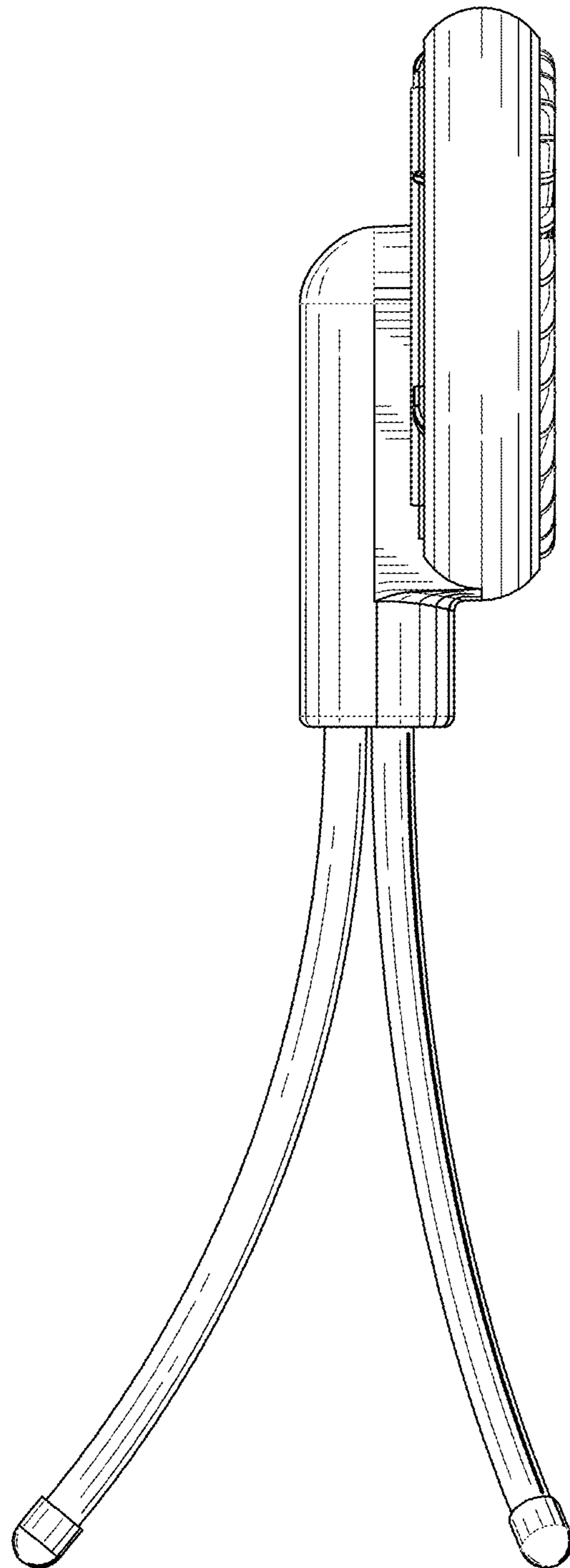


FIG. 4

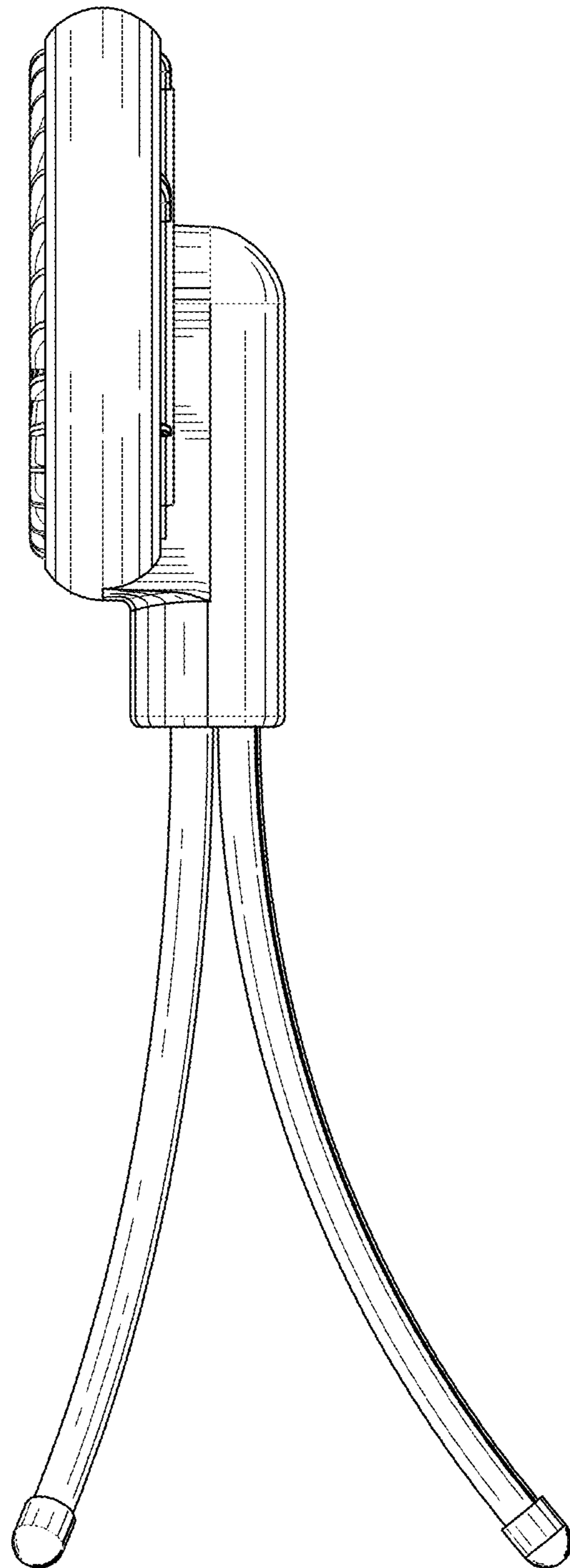


FIG. 5

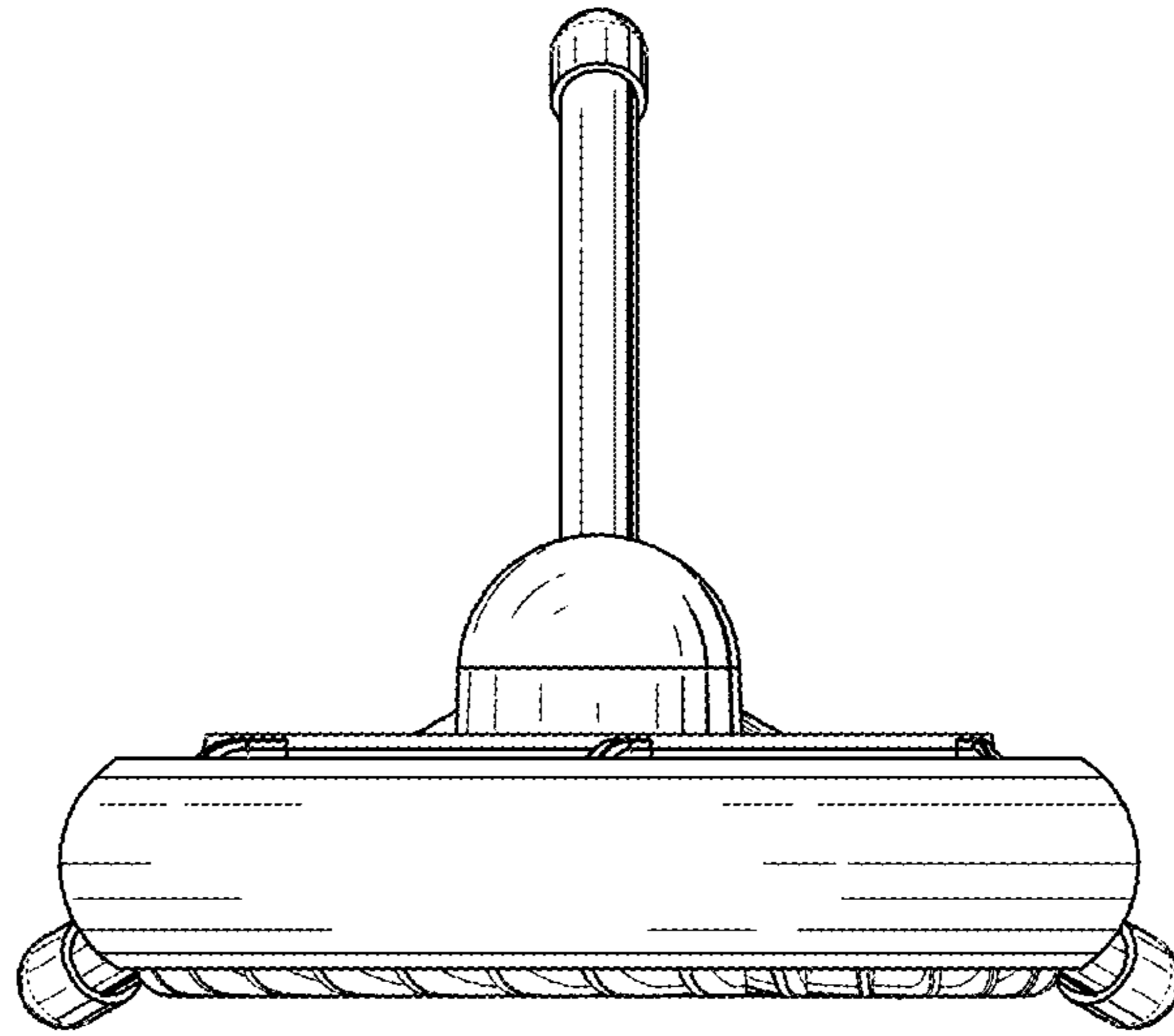


FIG. 6

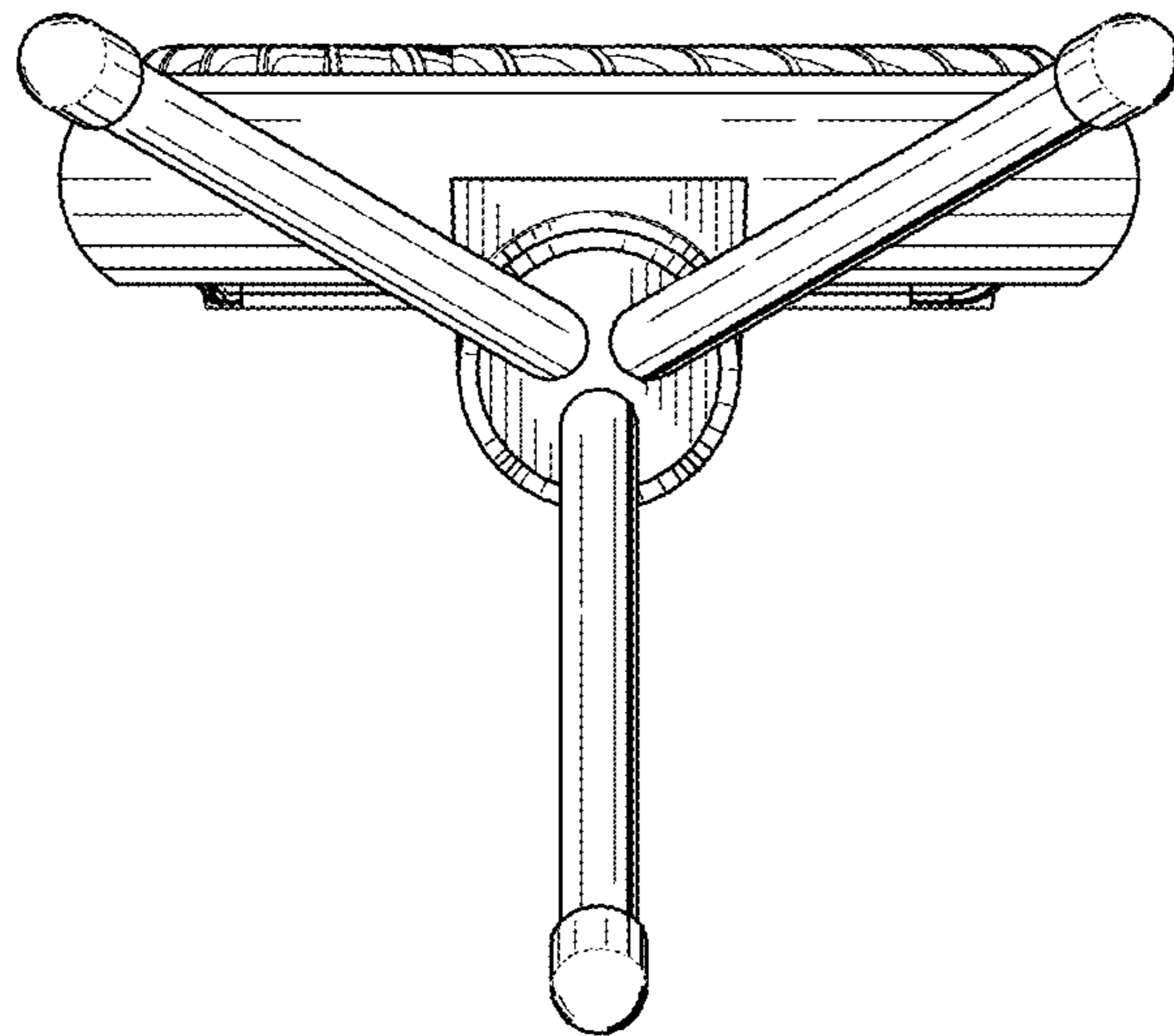


FIG. 7

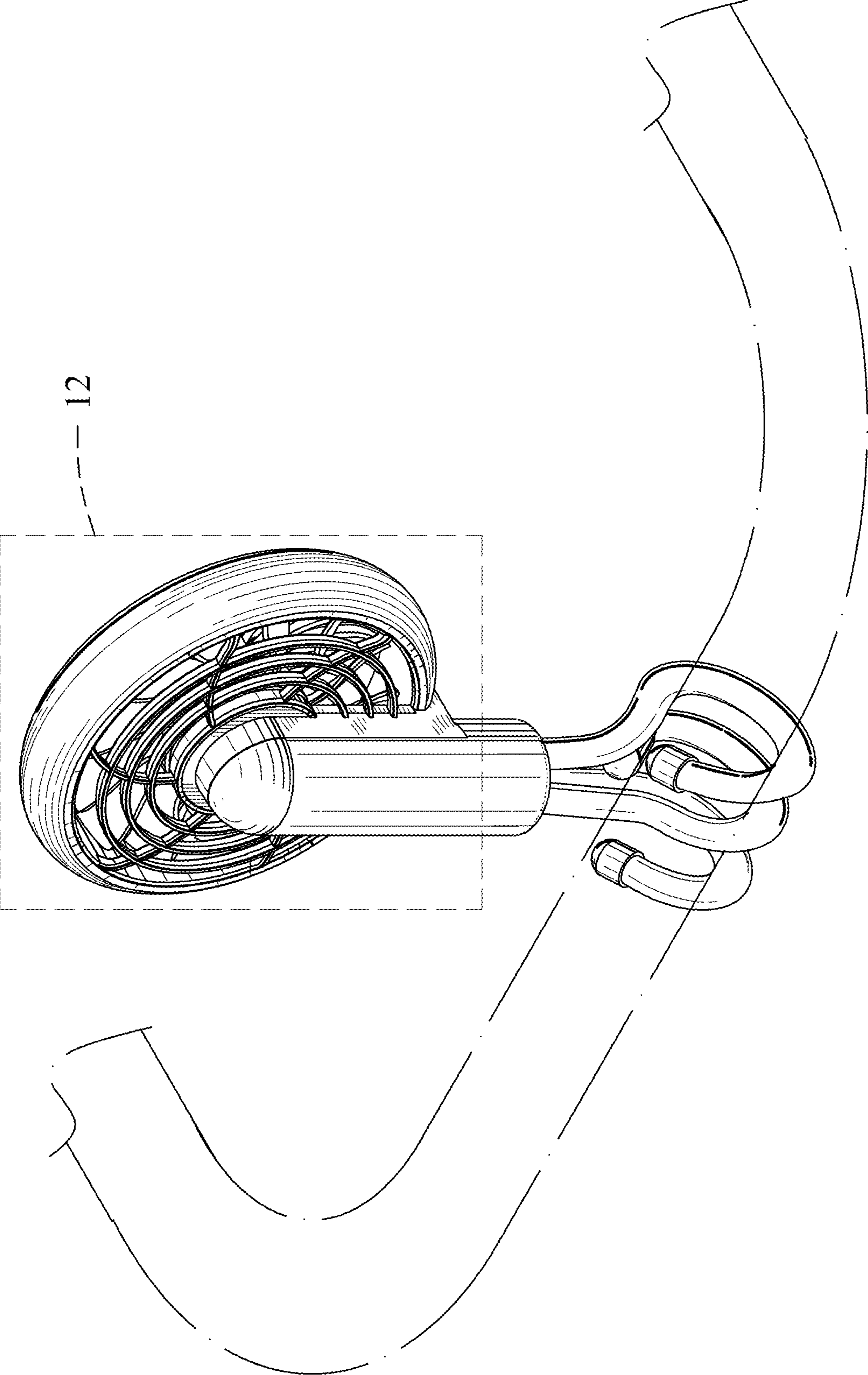


FIG. 8



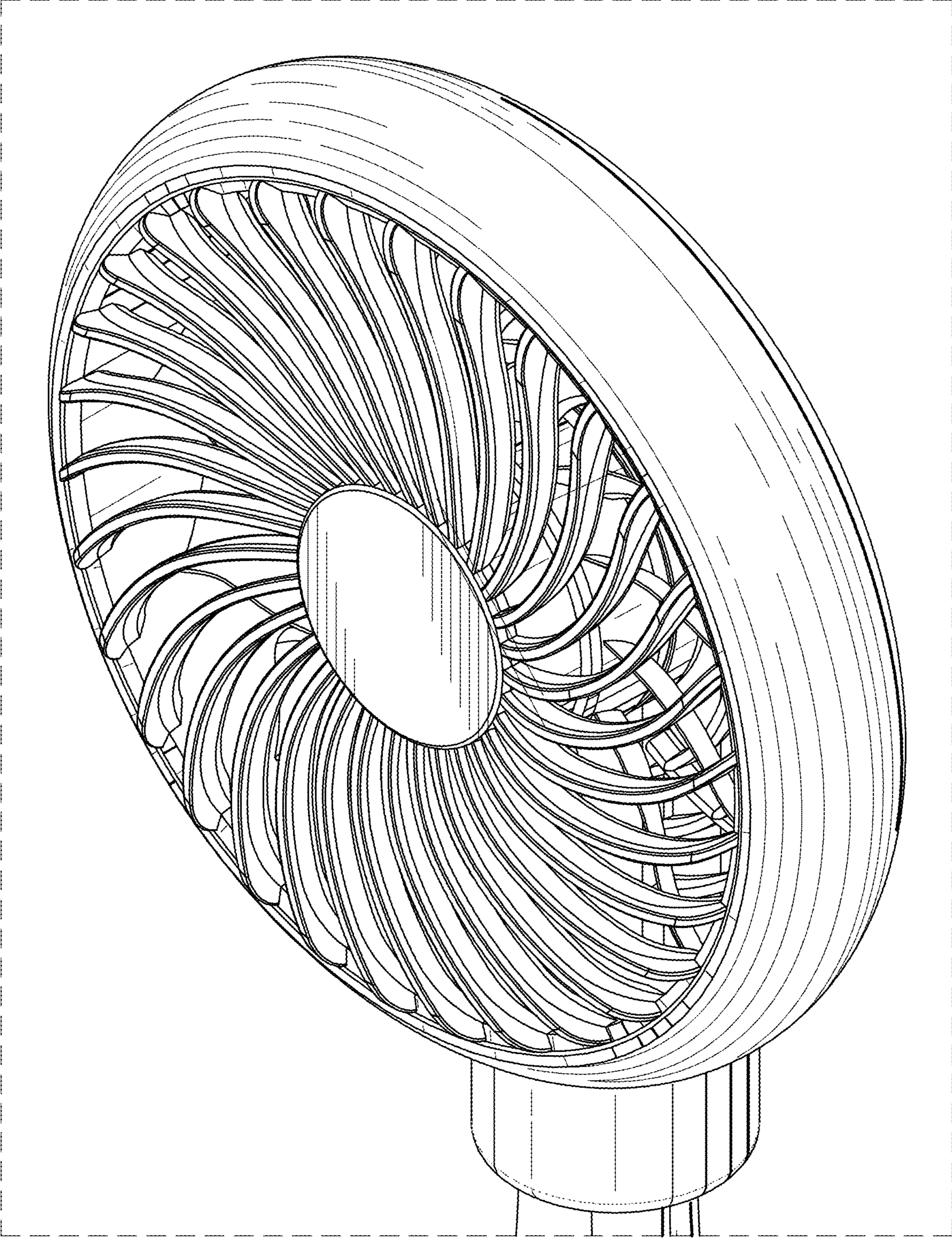


FIG. 9



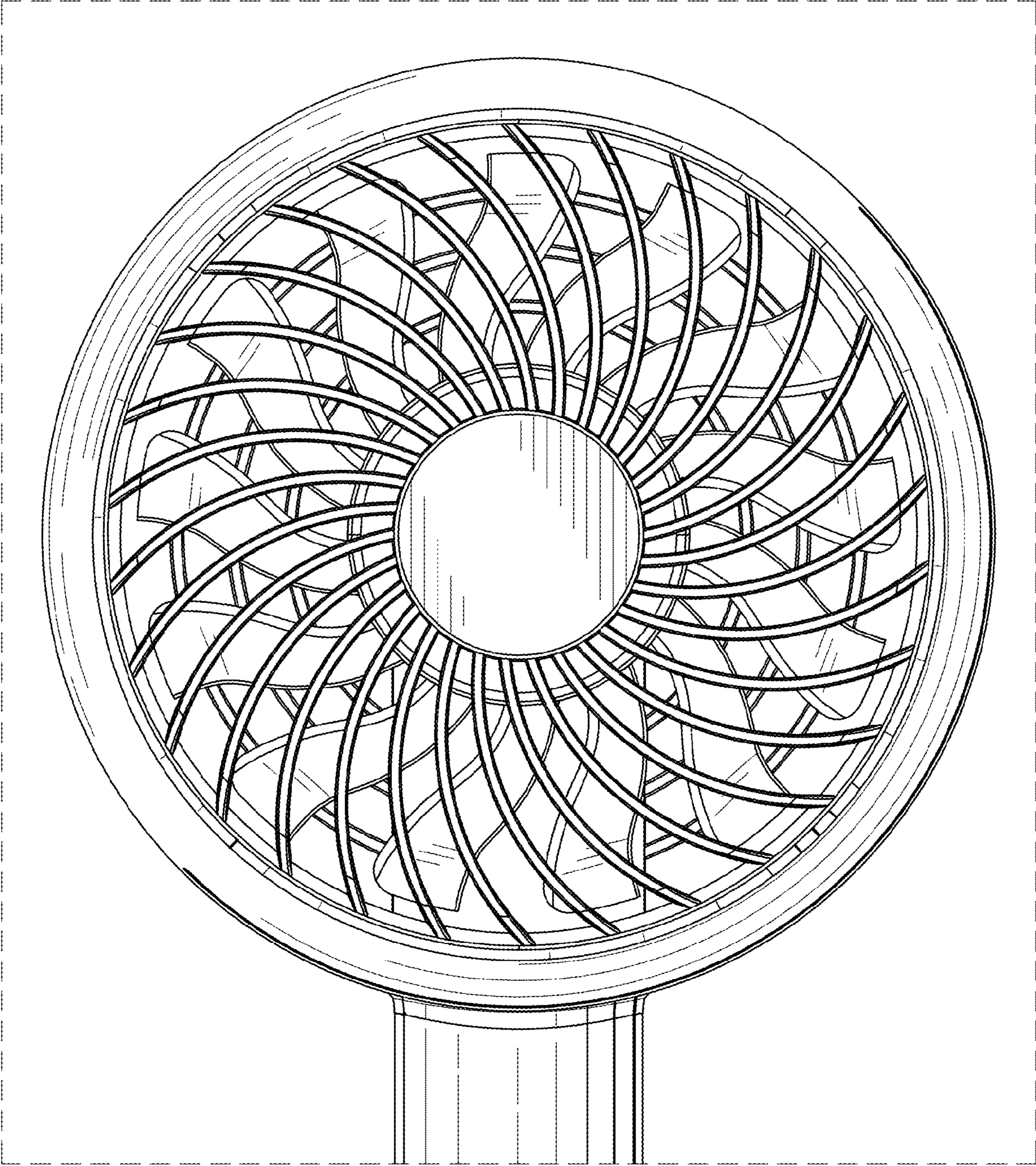


FIG. 10



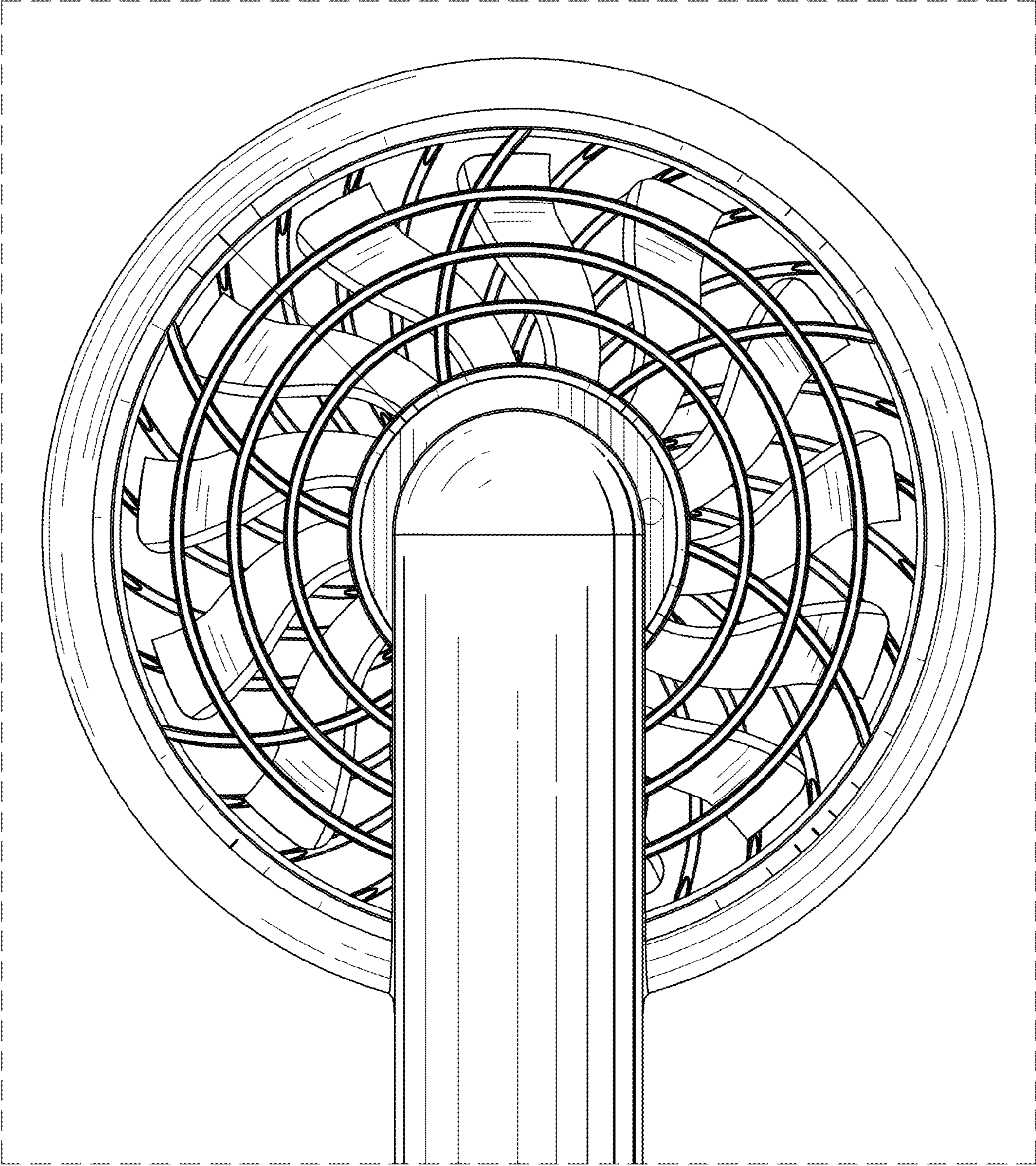


FIG. 11

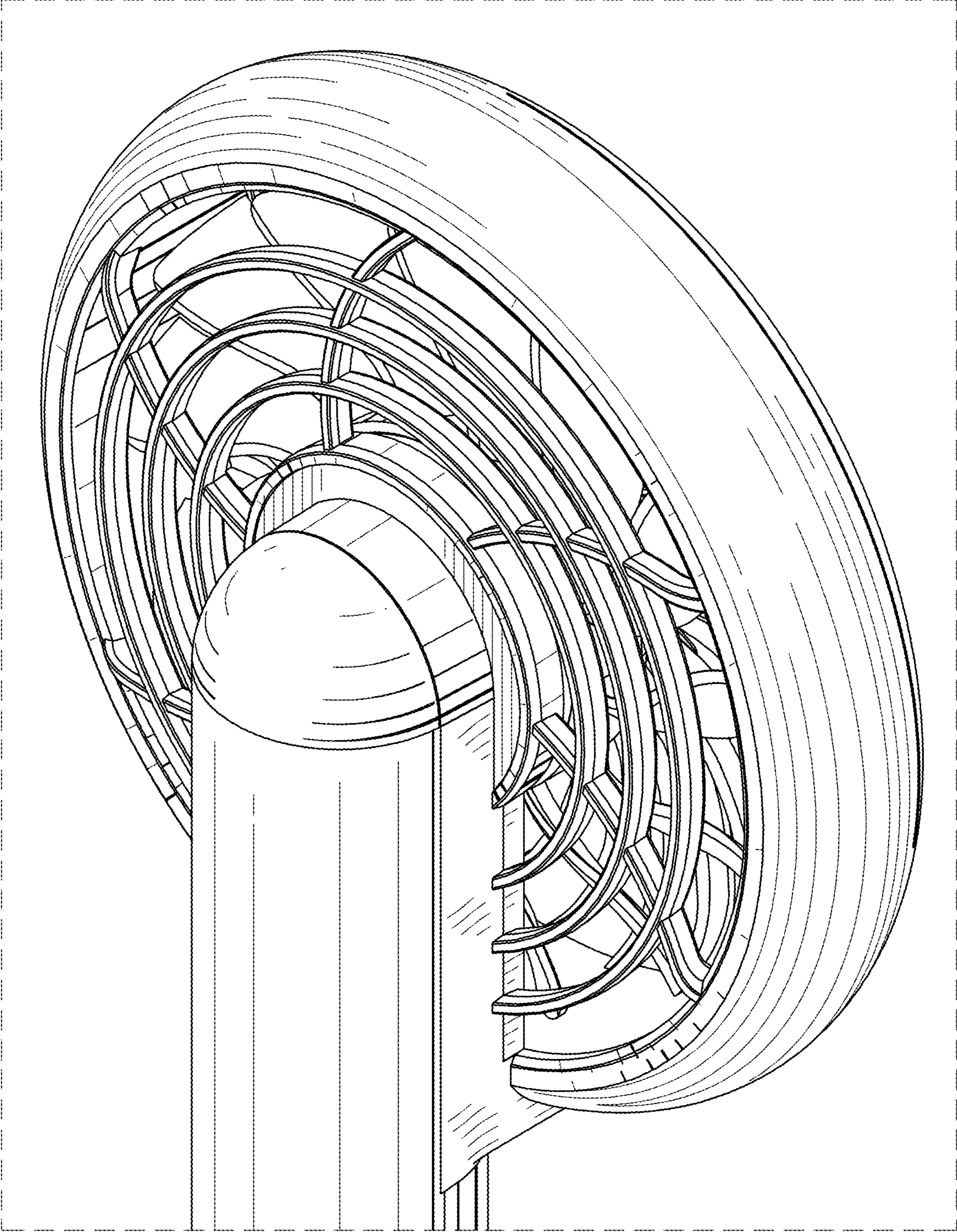


FIG. 12