



US00D910159S

(12) **United States Design Patent**
Webster et al.

(10) **Patent No.:** **US D910,159 S**

(45) **Date of Patent:** **** Feb. 9, 2021**

(54) **SCENT DISPENSER**

(71) Applicant: **Novia Products, LLC**, Portland, ME (US)

(72) Inventors: **William Webster**, Portland, ME (US);
Randy M. Oliver, Limerick, ME (US);
David Gallant, Newfield, ME (US)

(73) Assignee: **NOVIA PRODUCTS, LLC**, Portland, ME (US)

(**) Term: **15 Years**

(21) Appl. No.: **29/678,613**

(22) Filed: **Jan. 30, 2019**

(51) **LOC (13) Cl.** **23-04**

(52) **U.S. Cl.**
USPC **D23/366**

(58) **Field of Classification Search**
USPC D23/355-369; D8/300
(Continued)

(56) **References Cited**

U.S. PATENT DOCUMENTS

1,481,325 A 1/1924 Le Gris
1,924,823 A 8/1933 Willi
(Continued)

FOREIGN PATENT DOCUMENTS

EP 0335669 6/1993
EP 0691113 1/1996

OTHER PUBLICATIONS

Puck Baking Soda Cartridge Powered by Arm & Hammer, undated online product page retrieved Nov. 16, 2020 from <URL: <https://www.walmart.com/ip/Puck-Baking-Soda-Cartridge-Powered-Arm-Hammer-Lavender-Scent-Hammer-Dispenser-Fresheners-May-Step-Count-Nursery-Pail-baking-Bags-by-By-Munchkin/8> (Year: 2020).*

(Continued)

Primary Examiner — Sheryl Lane

Assistant Examiner — Calvin E Vansant

(74) *Attorney, Agent, or Firm* — Lewis Roca Rothgerber Christie LLP

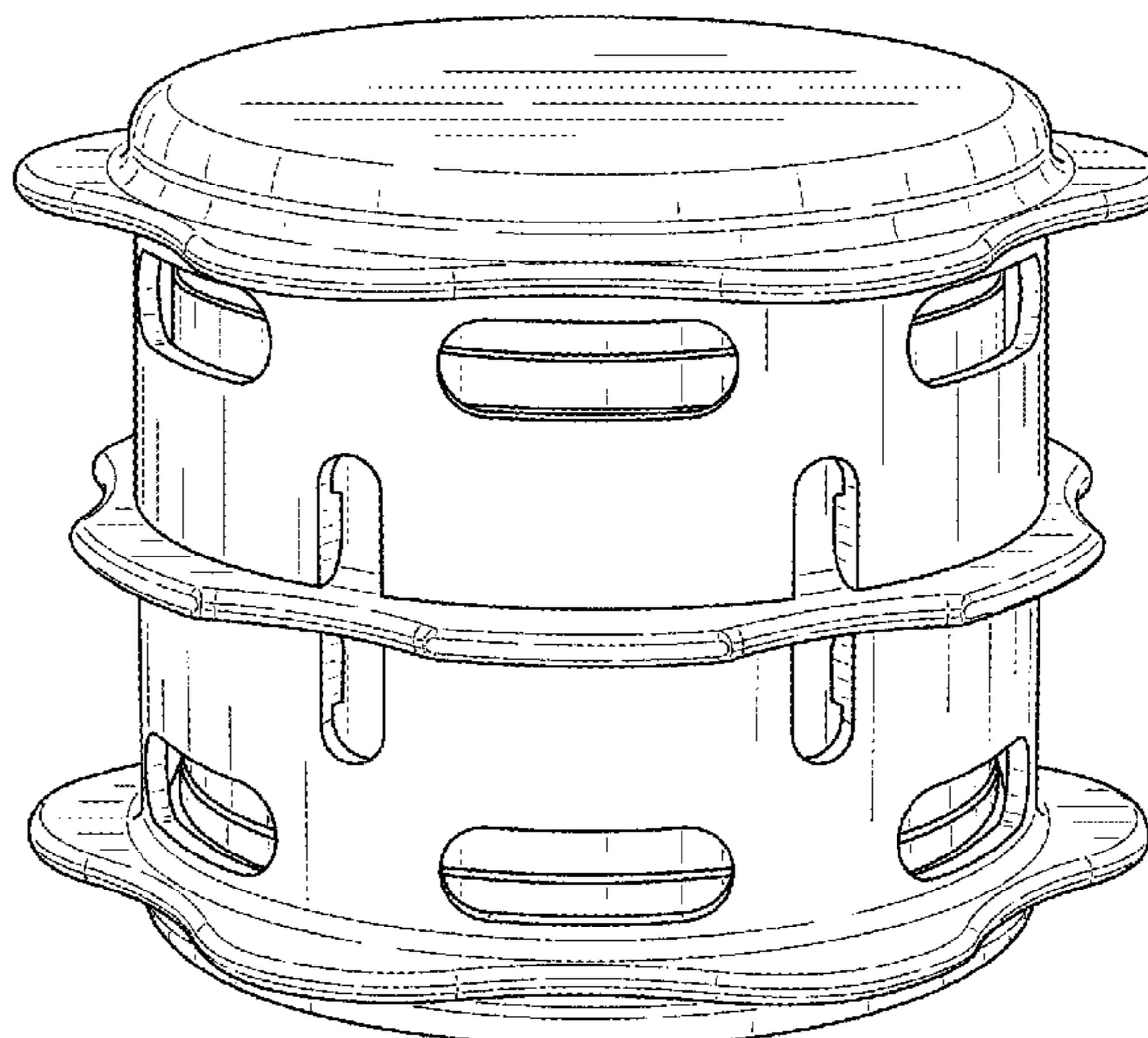
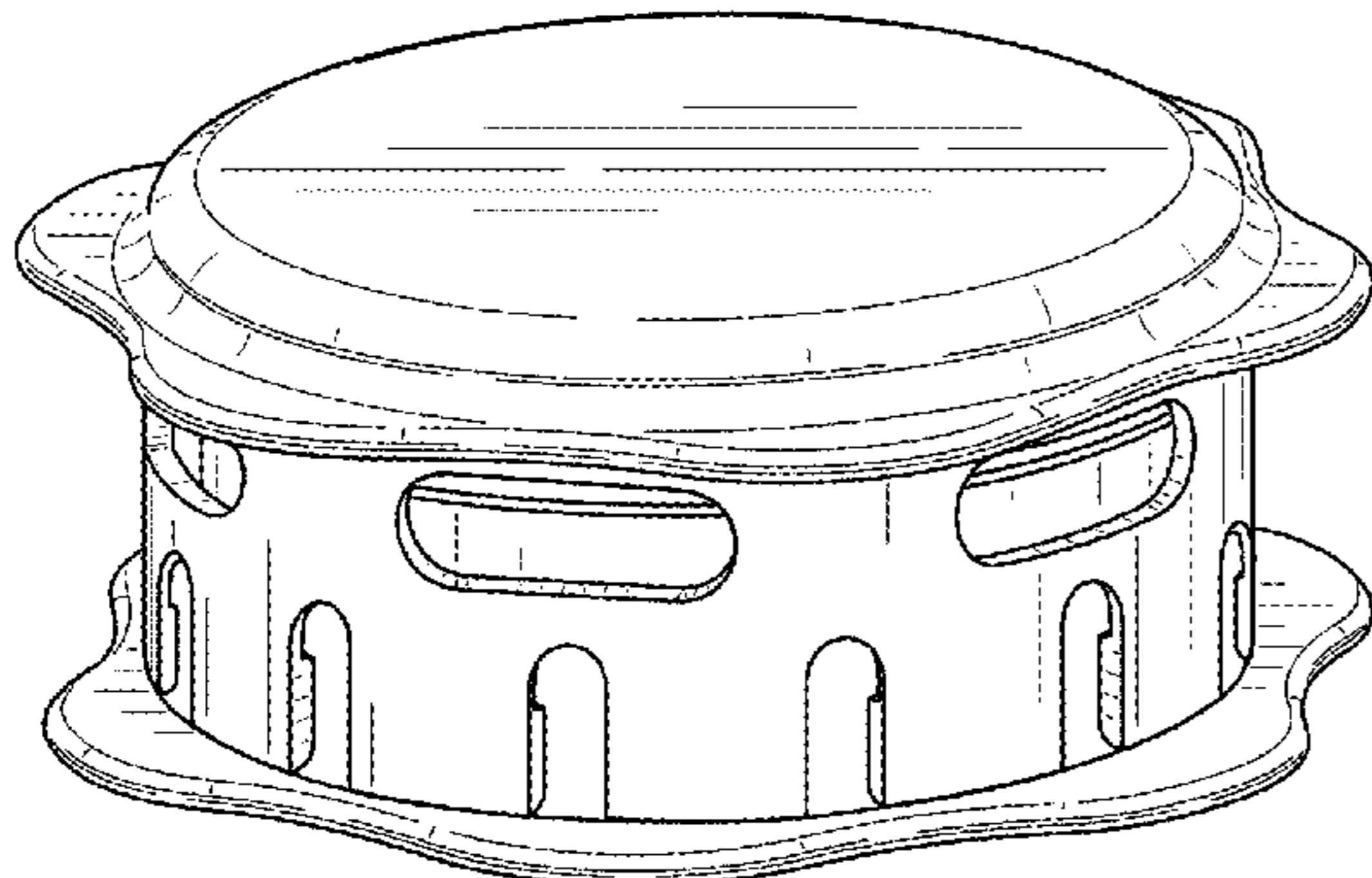
(57) **CLAIM**

An ornamental design for a scent dispenser, as shown and described.

DESCRIPTION

FIG. 1 is a front perspective view of a single-chamber scent dispenser showing our new design;
FIG. 2 is a front elevational view of the single-chamber scent dispenser;
FIG. 3 is a front perspective view of the single-chamber scent dispenser being shown with its single chamber in an open configuration;
FIG. 4 is a front elevational of the single-chamber scent dispenser with its single chamber in an open configuration;
FIG. 5 is a top plan view of the single-chamber scent dispenser;
FIG. 6 bottom plan view of the single-chamber scent dispenser;
FIG. 7 is a front perspective view of a dual-chamber scent dispenser in accordance with our new design;
FIG. 8 is a front elevational view of the dual-chamber scent dispenser;
FIG. 9 is a front perspective view of the dual-chamber scent dispenser in a partially open configuration;
FIG. 10 is a front elevational of the dual-chamber scent dispenser in its partially open configuration;
FIG. 11 is a front perspective view of the dual-chamber scent dispenser in a fully open configuration;
FIG. 12 is a front elevational of the dual-chamber scent dispenser in its fully open configuration;
FIG. 13 is a top plan view of the dual-chamber scent dispenser; and,
FIG. 14 is a bottom plan view of the dual-chamber scent dispenser.

1 Claim, 10 Drawing Sheets



(58) **Field of Classification Search**
 CPC A61L 9/02; A61L 9/03; A61L 9/12; A61L
 9/035; A61L 9/125
 See application file for complete search history.

(56) **References Cited**
 U.S. PATENT DOCUMENTS

2,234,062	A	3/1941	Roberts
2,763,395	A	9/1956	Meek
3,873,281	A	3/1975	Himes et al.
3,888,416	A	6/1975	Lin
D250,801	S	1/1979	Bergen et al.
4,137,200	A	1/1979	Wood et al.
4,146,566	A	3/1979	Gaiser
4,200,229	A	4/1980	Spector
4,327,056	A	4/1982	Gaiser
4,549,693	A	10/1985	Barlics
4,869,407	A	9/1989	Booth, Jr. et al.
4,957,810	A	9/1990	Eleouet et al.
5,064,653	A	11/1991	Sessions et al.
D351,650	S	10/1994	Vavra
5,388,762	A	2/1995	Bryson, Sr.
D372,770	S	8/1996	Foreman
5,610,674	A	3/1997	Martin
D387,734	S	12/1997	Hawkins, Jr. et al.
5,837,377	A	11/1998	Sheu et al.
5,880,216	A	3/1999	Tanihara et al.
5,898,475	A	4/1999	Martin
5,973,221	A	10/1999	Collyer et al.
D422,481	S	4/2000	Bertani
6,277,401	B1	8/2001	Bello et al.
6,617,014	B1	9/2003	Thomson
D493,875	S	8/2004	Groene et al.

6,889,870	B2	5/2005	De Laforcade
6,991,848	B2	1/2006	Thomson
6,997,355	B2	2/2006	Duquet et al.
7,048,966	B2	5/2006	Thomson
D550,840	S	9/2007	Anderson et al.
D568,715	S	5/2008	Gustafson et al.
D575,711	S	8/2008	Johannsen
D676,551	S	2/2013	Desai et al.
8,544,766	B2	10/2013	Webster et al.
D710,699	S	8/2014	Phelps
D791,426	S	7/2017	Petersen
D794,765	S	8/2017	Brandenburg et al.
D830,530	S	10/2018	Webster et al.
2002/0018884	A1	2/2002	Thomson
2002/0113909	A1	8/2002	Sherwood
2004/0144811	A1	7/2004	Pennaneac'H
2006/0216492	A1	9/2006	Thomson
2007/0187524	A1	8/2007	Sherwood
2007/0224232	A1	9/2007	Sherwood
2011/0147478	A1	6/2011	Bernstein
2013/0206861	A1	8/2013	Webster et al.
2017/0312380	A1	11/2017	Webster et al.
2019/0125916	A1	5/2019	Webster et al.
2019/0336637	A1*	11/2019	Webster A61L 9/125

OTHER PUBLICATIONS

U.S. Appl. No. 16/401,043, filed May 1, 2019.
 U.S. Appl. No. 62/480,948, filed Apr. 3, 2017.
www.scentair.com/products/index.php?subSectionID=2.
 ScentWave SWD-1000 Technical Specifications.
 ScentStream SXD-5020 Technical Specifications.
 ScentPOP Technical Specifications.

* cited by examiner

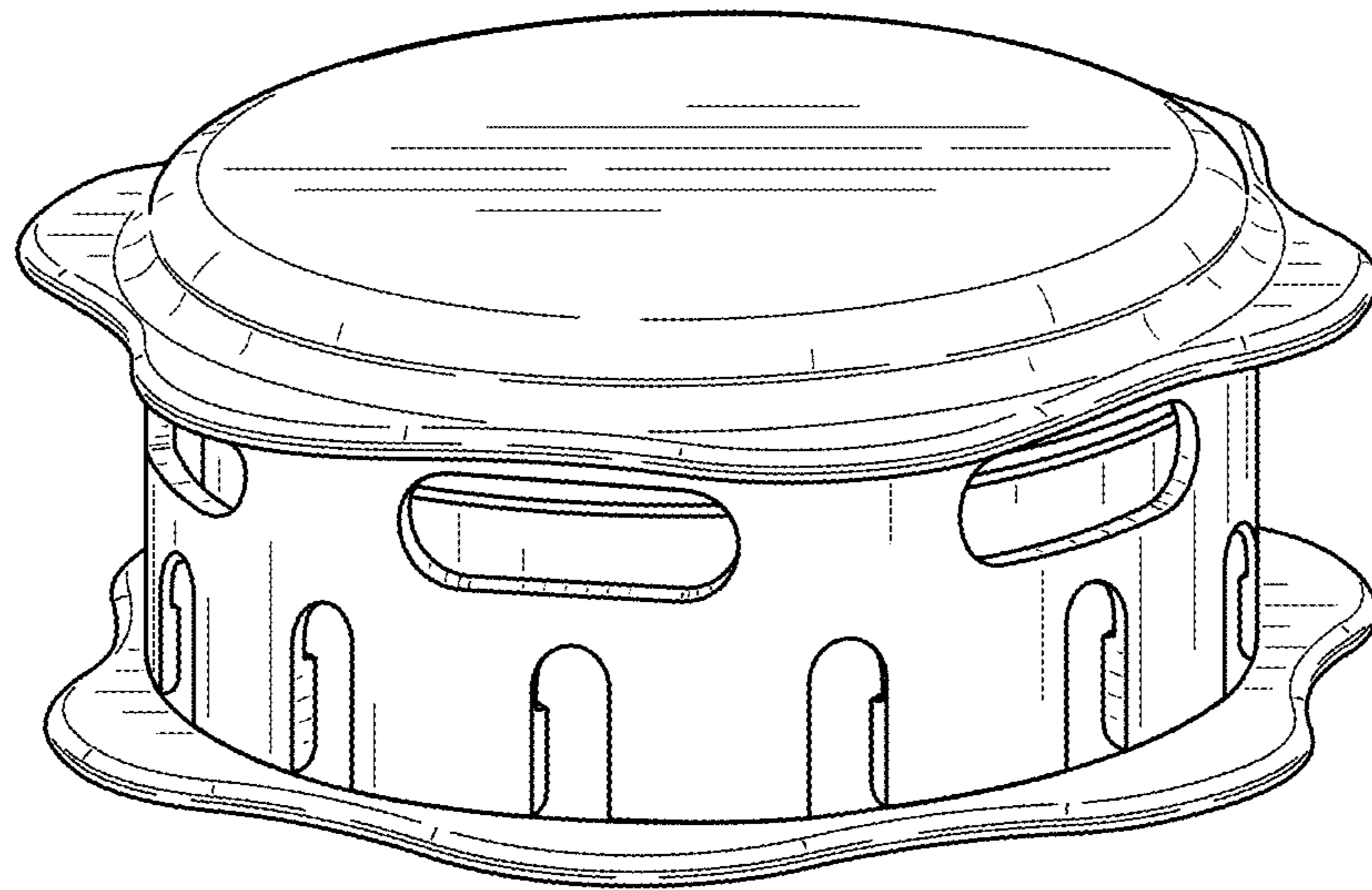


FIG. 1

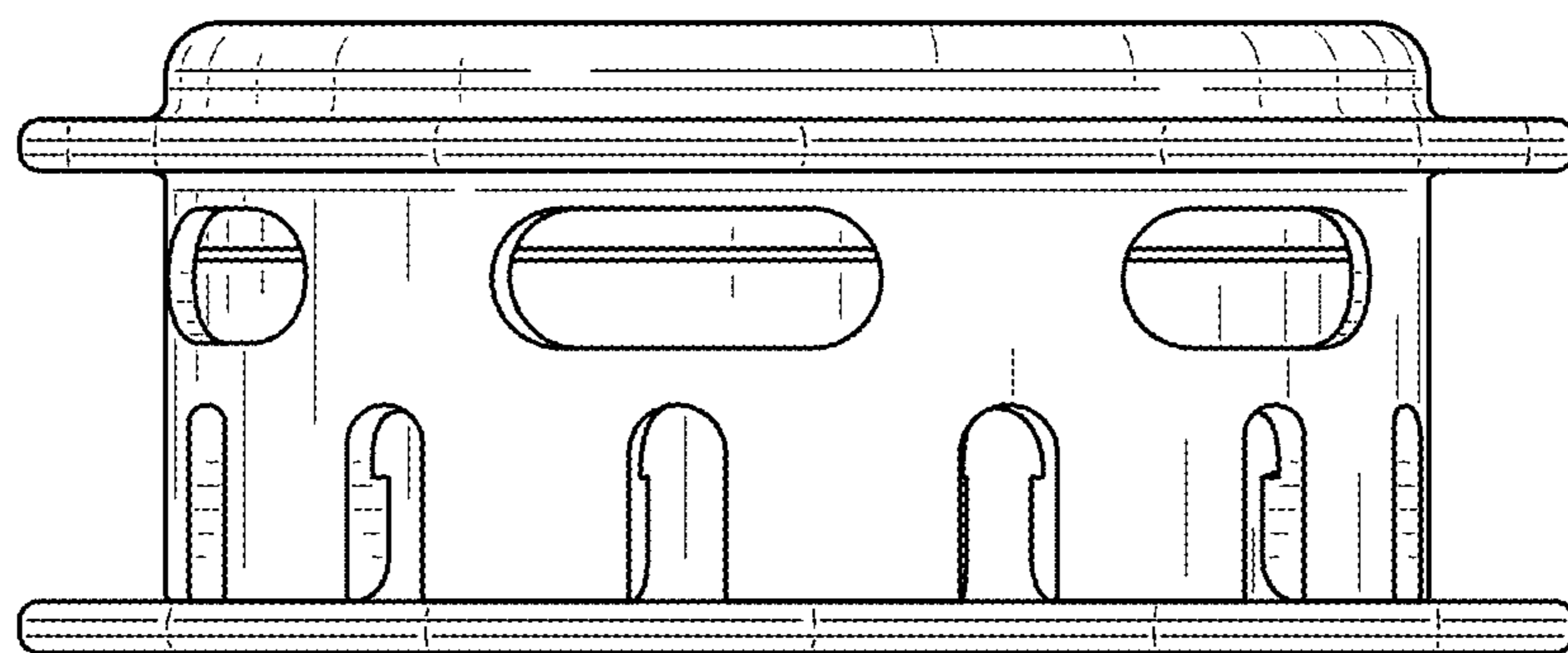


FIG. 2

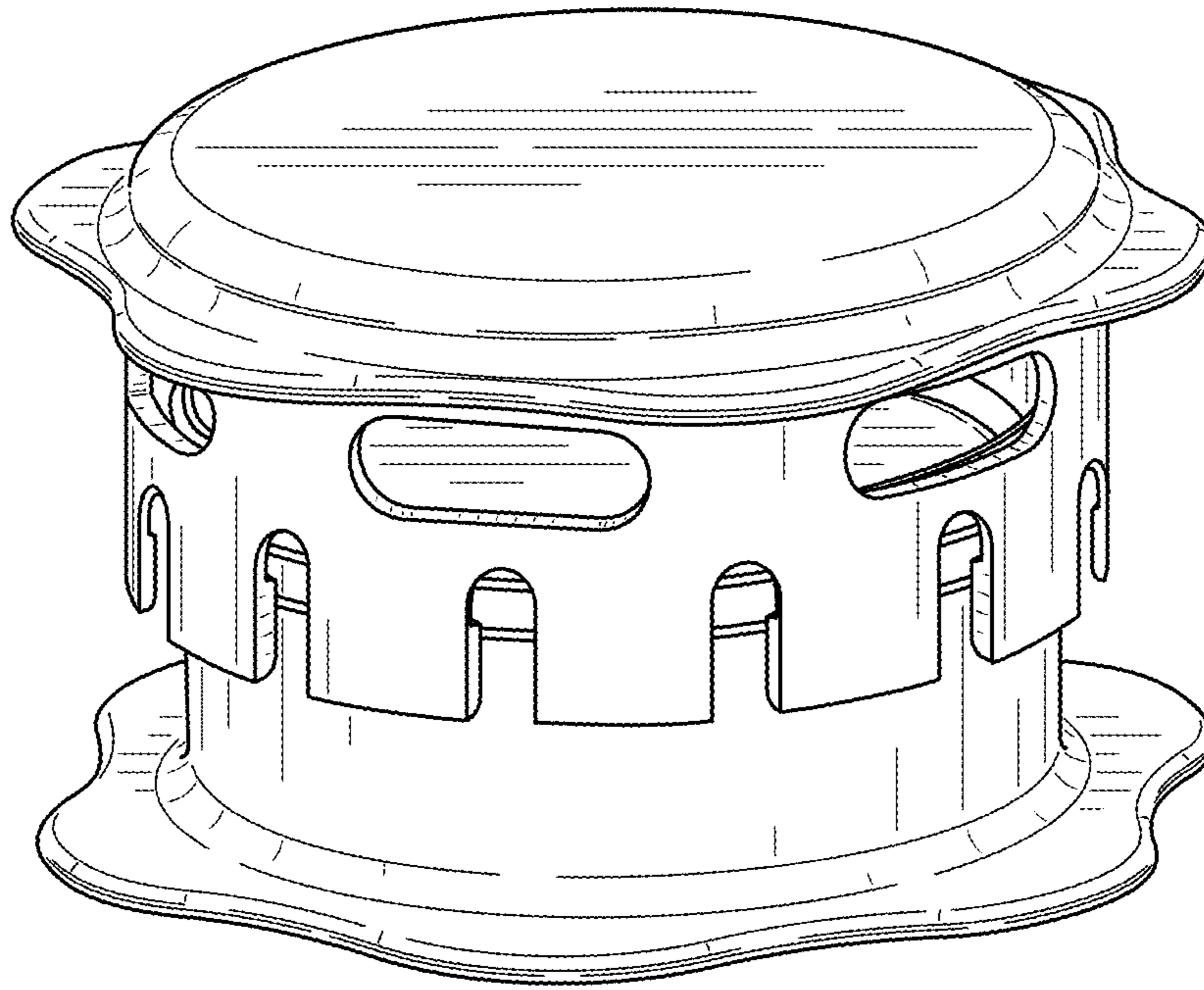


FIG. 3

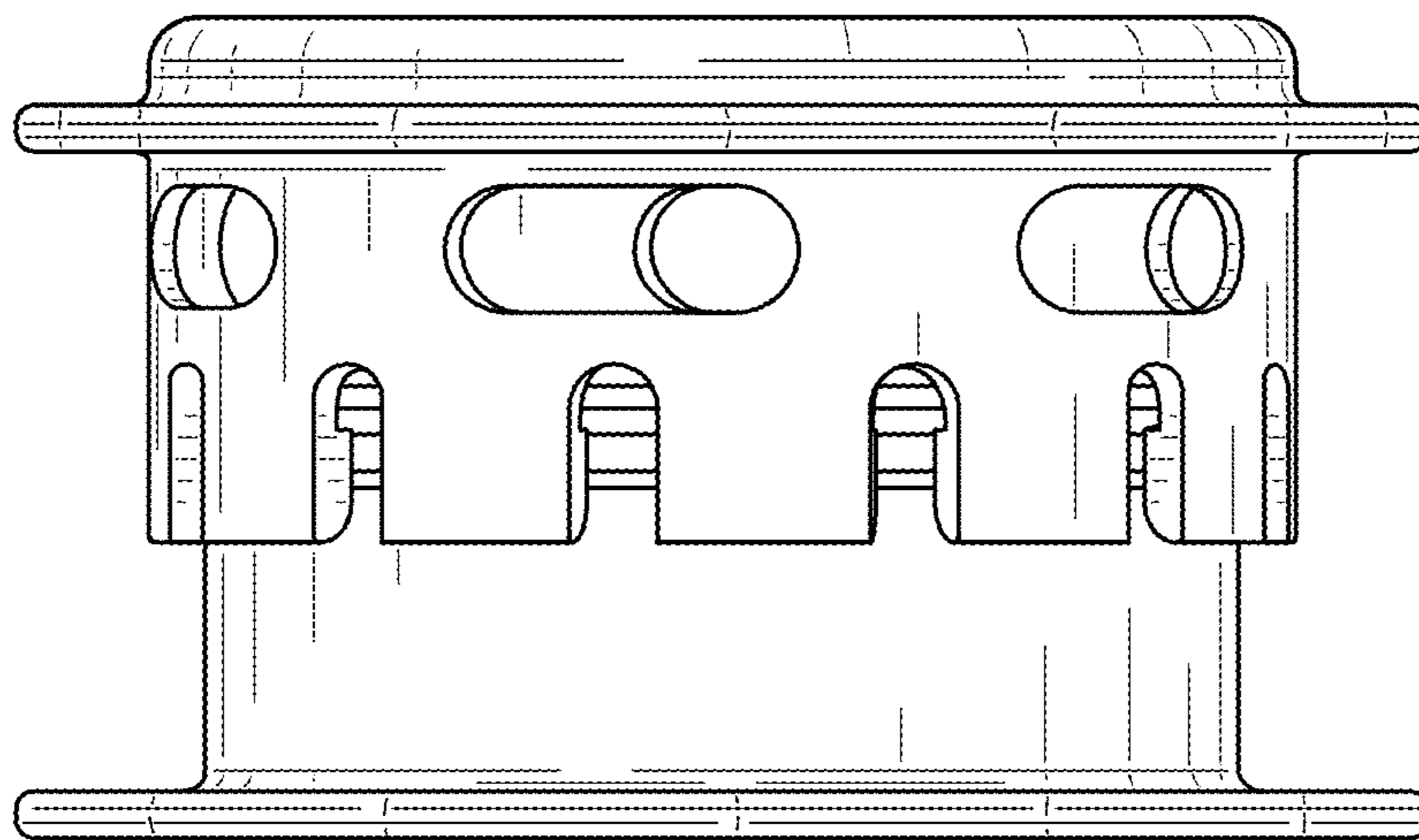


FIG. 4

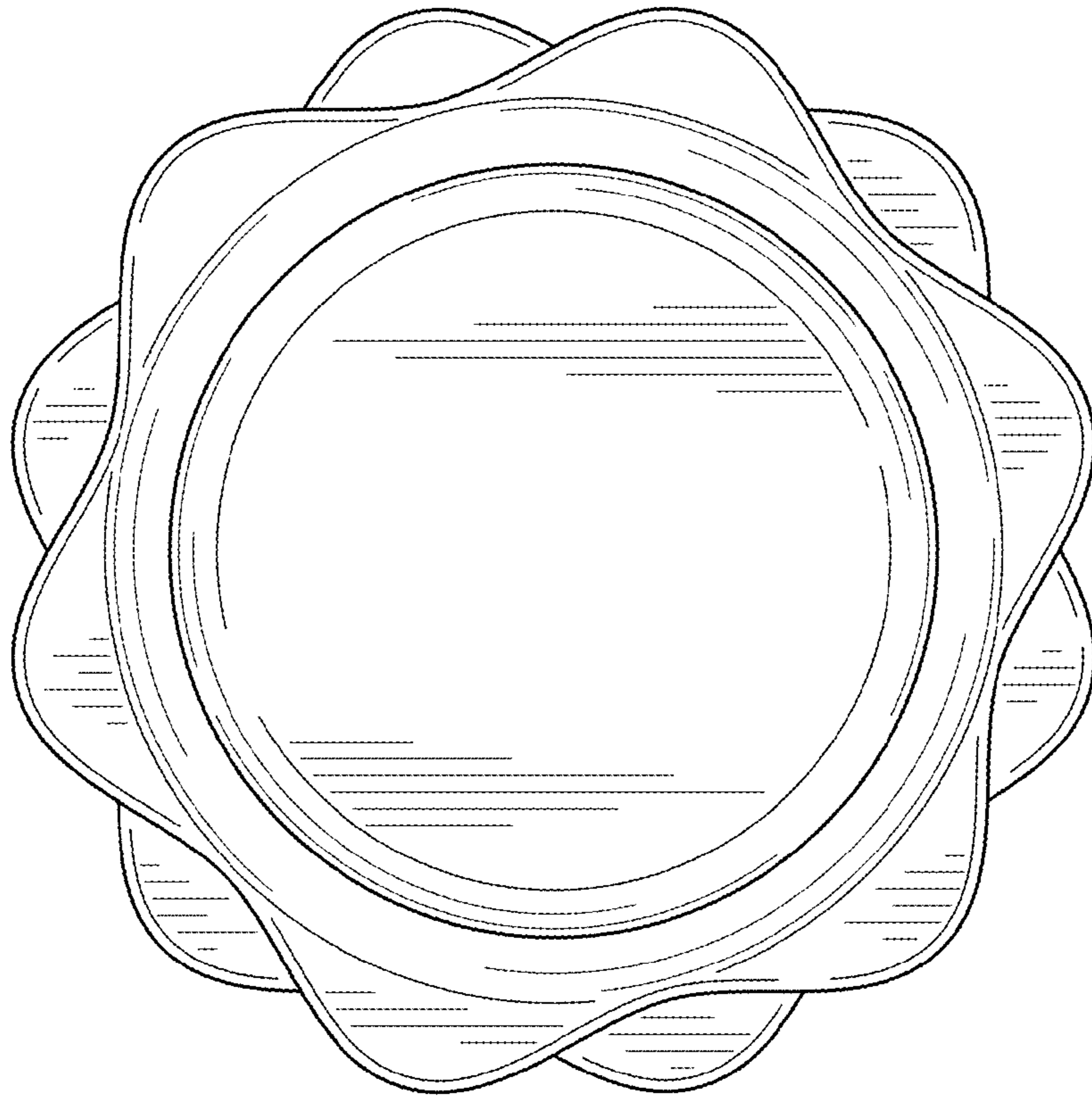


FIG. 5

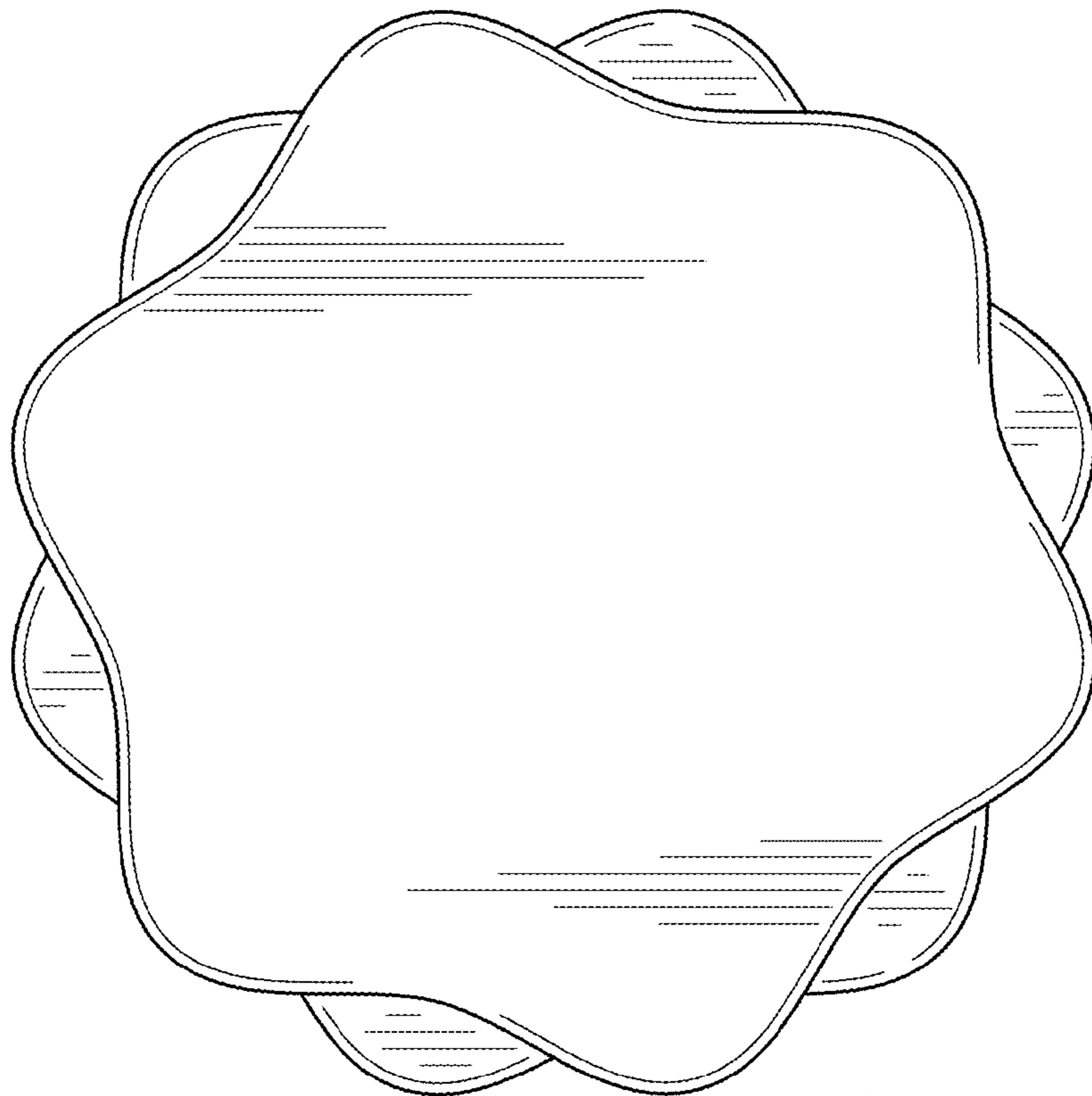


FIG. 6

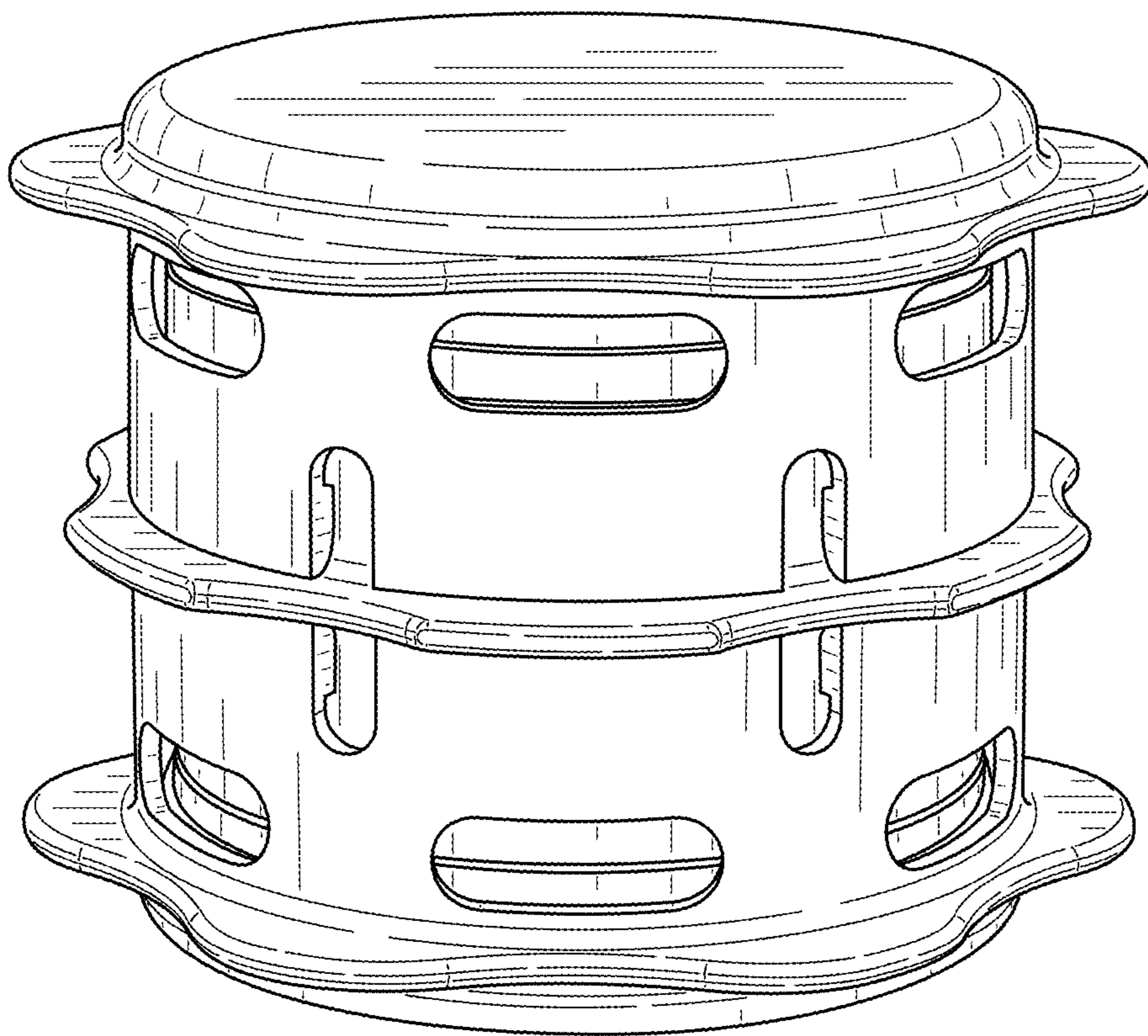


FIG. 7

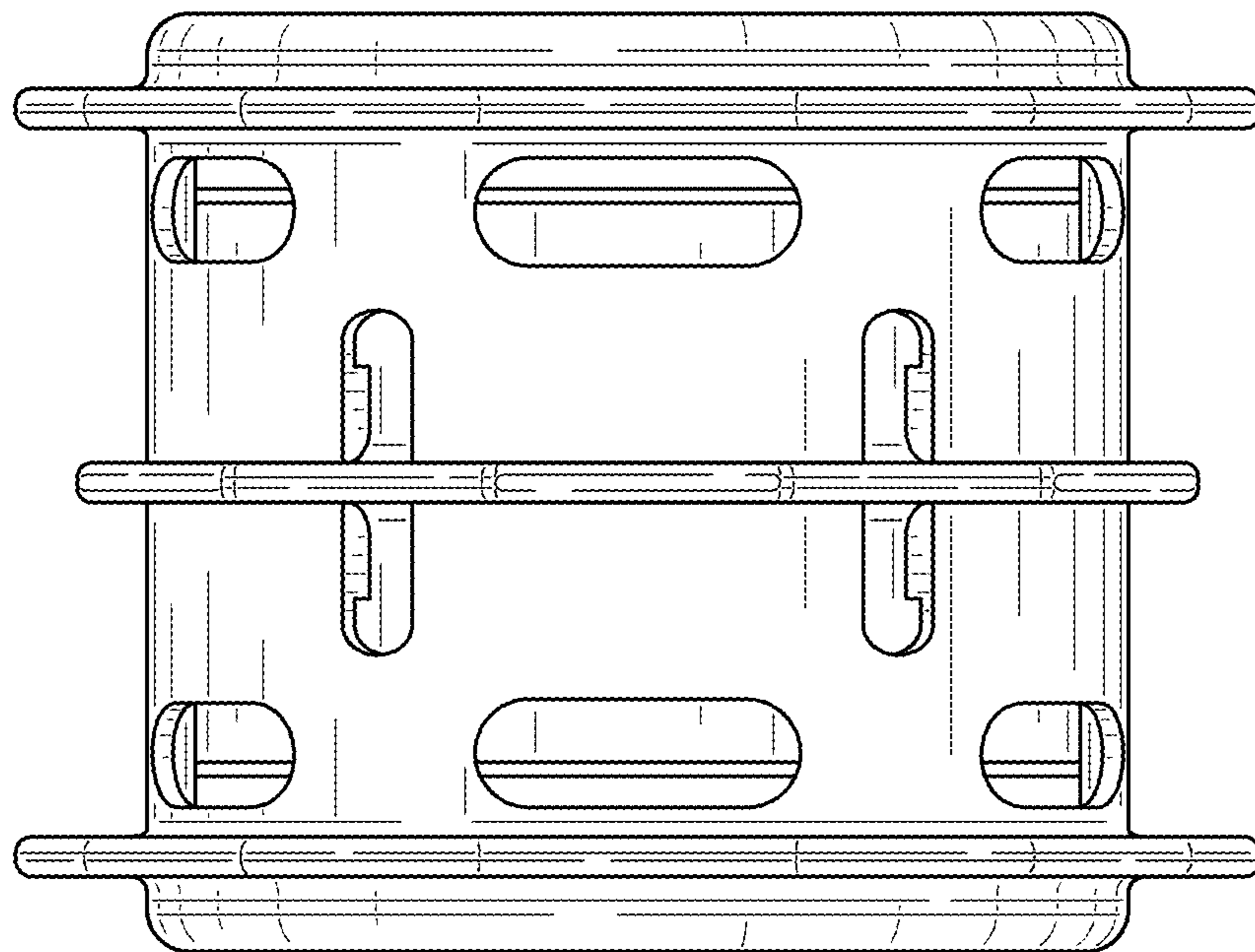


FIG. 8

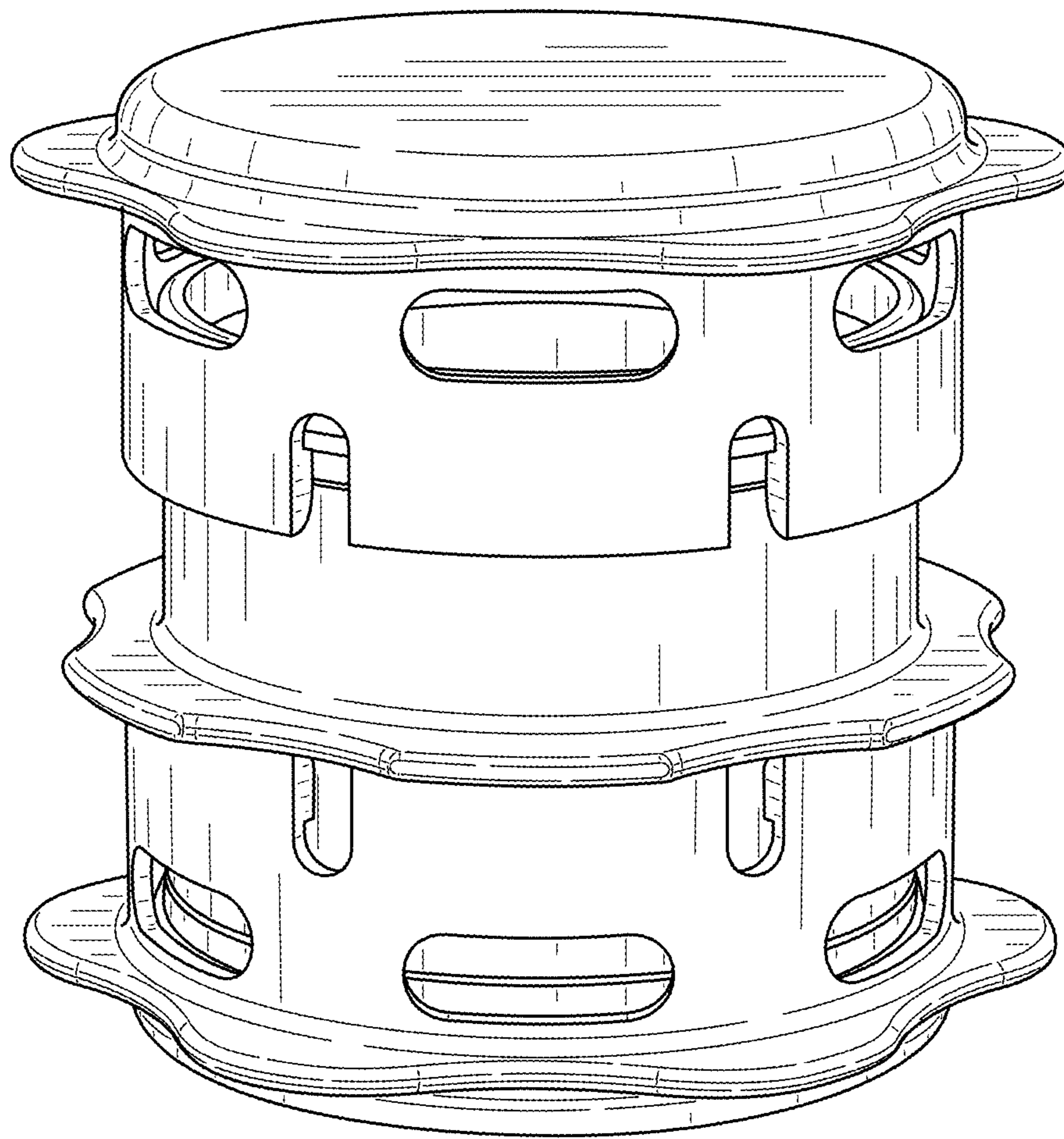


FIG. 9

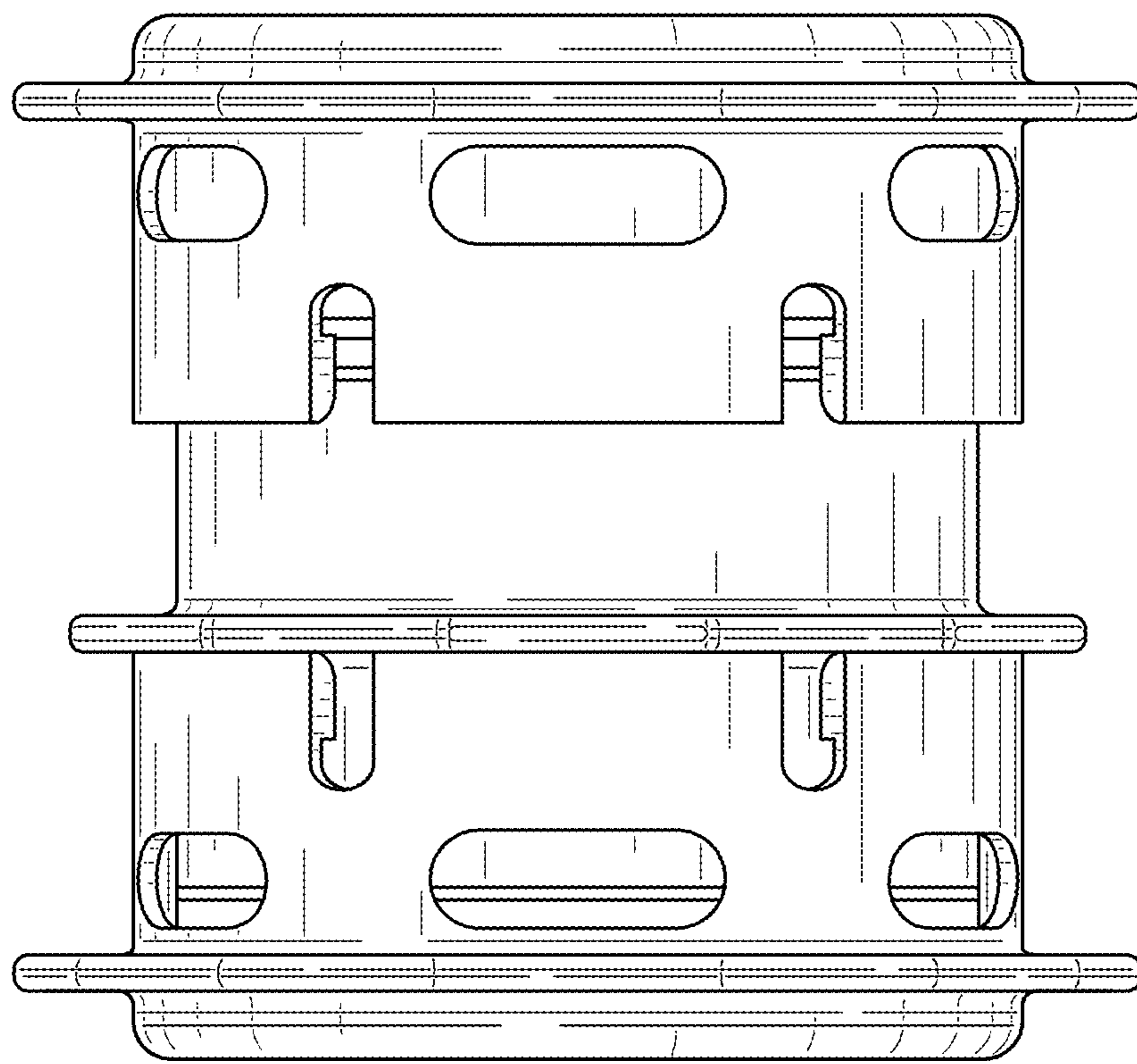


FIG. 10

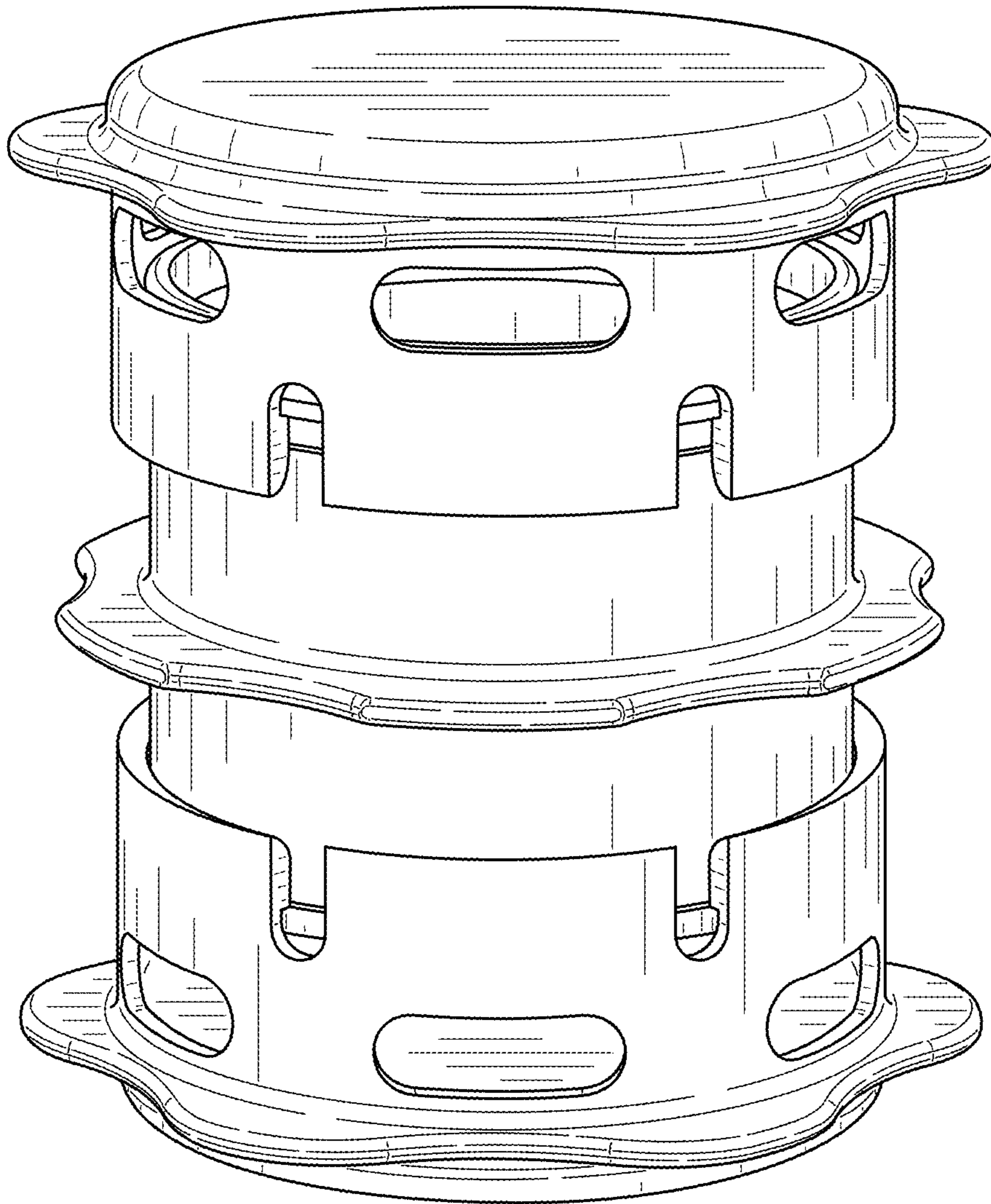


FIG. 11

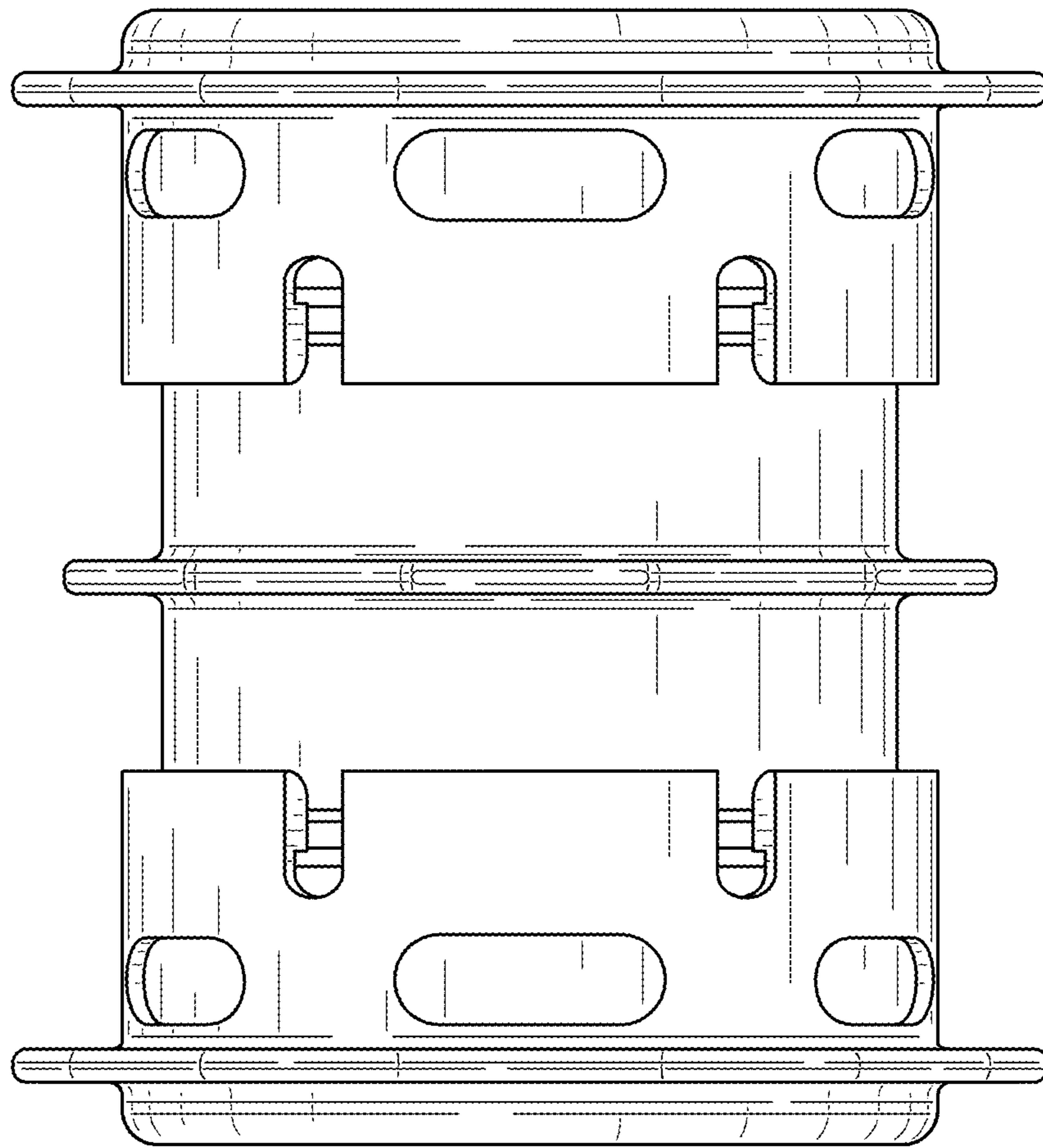


FIG. 12

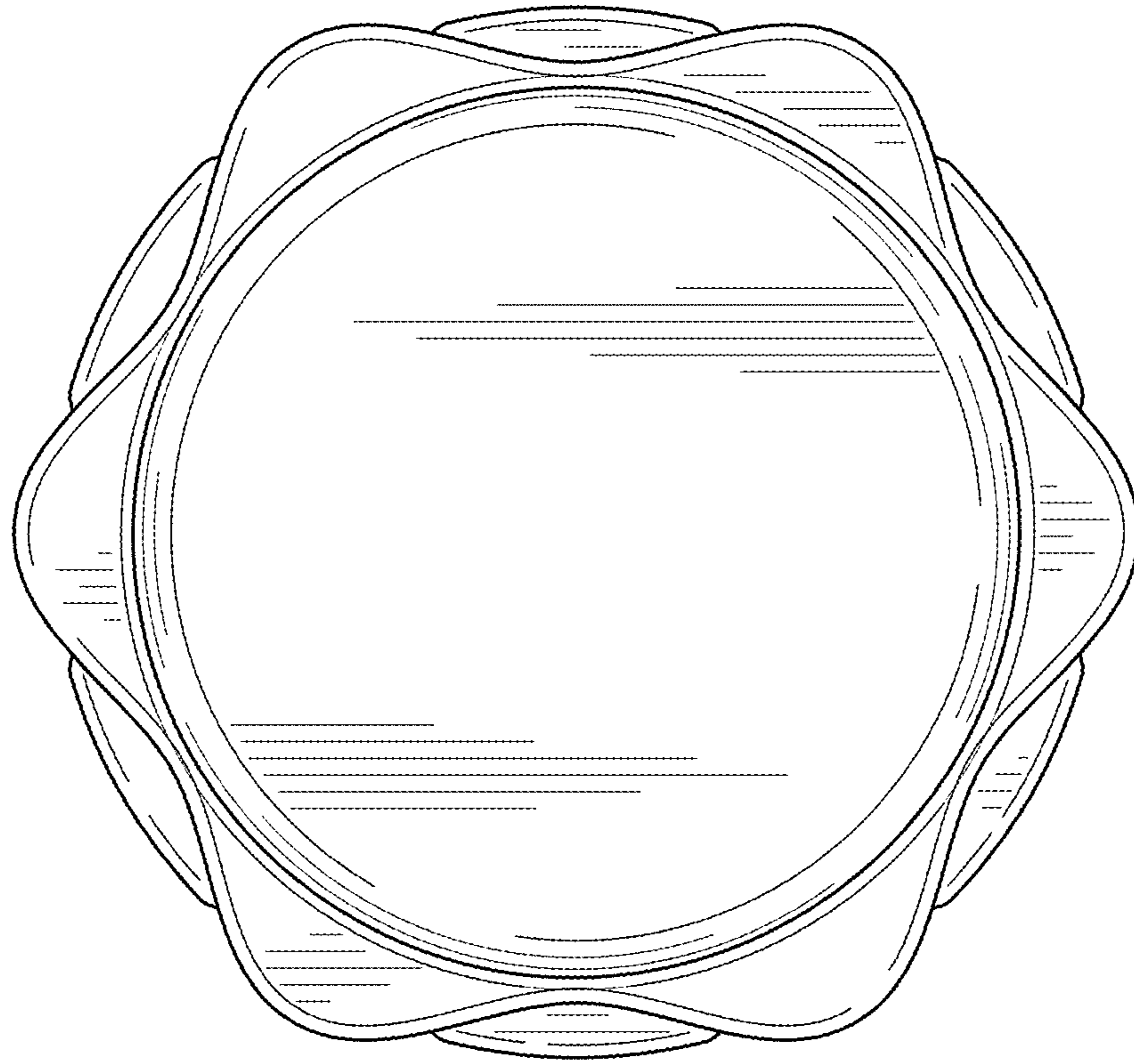


FIG. 13

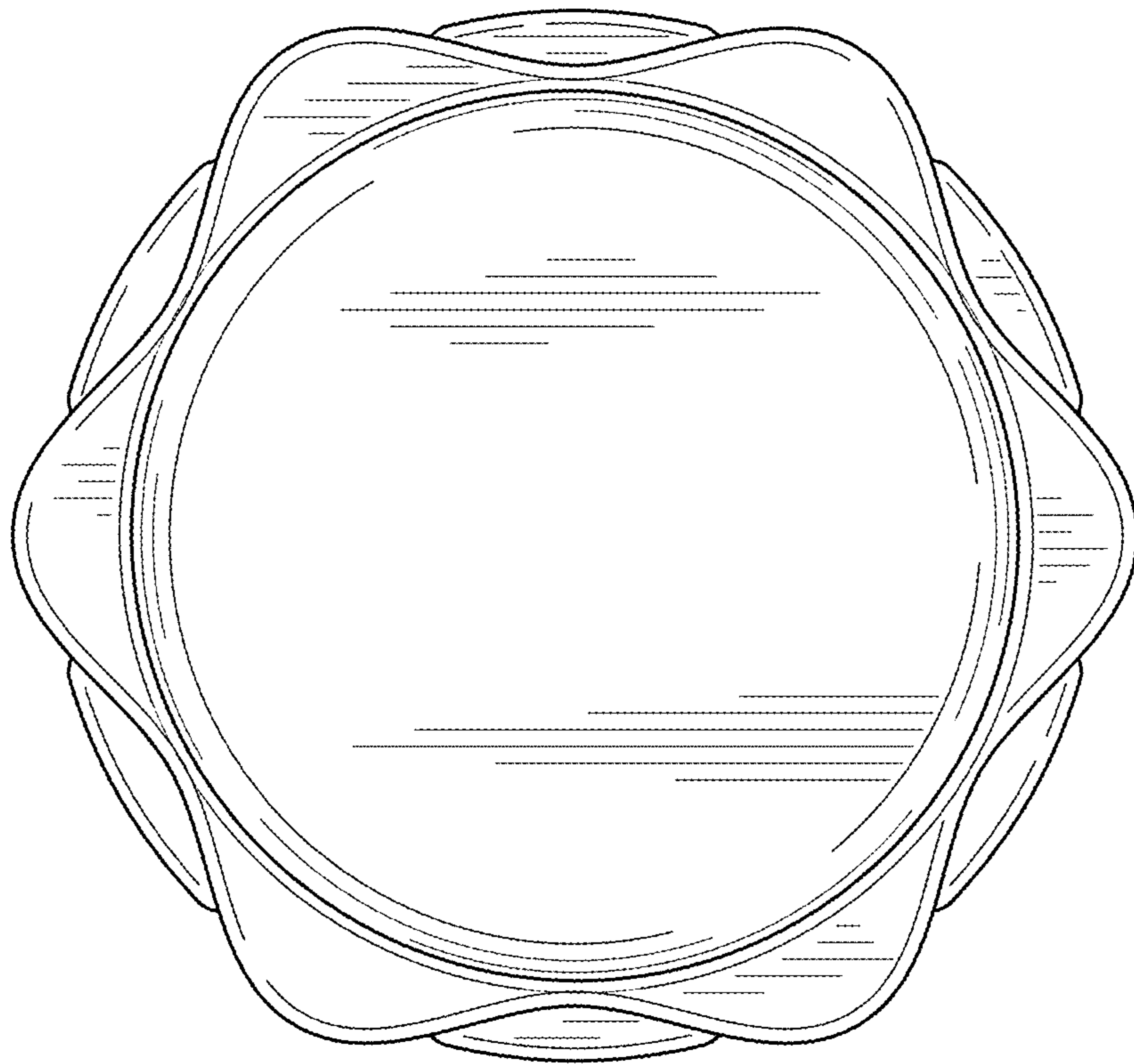


FIG. 14