



US00D910158S

(12) **United States Design Patent**
Kim et al.

(10) **Patent No.:** **US D910,158 S**

(45) **Date of Patent:** **** Feb. 9, 2021**

(54) **FILTER FOR AIR PURIFIER**

(56) **References Cited**

(71) Applicant: **LG ELECTRONICS INC.**, Seoul (KR)

U.S. PATENT DOCUMENTS

(72) Inventors: **Hojung Kim**, Seoul (KR); **Jongkeon Jeon**, Seoul (KR)

D679,792 S * 4/2013 Hollingsworth D23/365
D710,000 S * 7/2014 Moreno D23/386
D754,315 S * 4/2016 Morin D23/365
D806,847 S * 1/2018 Kim D23/364
D831,157 S * 10/2018 Kronk D23/209
D894,360 S * 8/2020 Perez B01D 71/36

(73) Assignee: **LG ELECTRONICS INC.**, Seoul (KR)

D23/365
D898,177 S * 10/2020 Guo B01D 46/0005
D23/365
D902,371 S * 11/2020 Wall B01D 46/0016
D23/365

(**) Term: **15 Years**

2006/0053759 A1 * 3/2006 Winters B01D 46/0016
55/497

(21) Appl. No.: **35/508,318**

2009/0126326 A1 * 5/2009 McClellan B01D 46/0005
55/497

(22) Filed: **Jul. 9, 2019**

2019/0232211 A1 * 8/2019 Niki B01D 71/36

(80) **Hague Agreement Data**

* cited by examiner

Int. Filing Date: **Jul. 9, 2019**

Primary Examiner — Keli L Hill

Int. Reg. No.: **DM/204036**

(74) *Attorney, Agent, or Firm* — Birch, Stewart, Kolasch & Birch, LLP

Int. Reg. Date: **Jul. 9, 2019**

Int. Reg. Pub. Date: **Jan. 10, 2020**

(57) **CLAIM**

(30) **Foreign Application Priority Data**

The ornamental design for a filter for air purifier, as shown and described.

Feb. 20, 2019 (KR) 30-2019-0007648

DESCRIPTION

(51) **LOC (13) Cl.** **23-04**

1. Filter for air purifier

(52) **U.S. Cl.**

1.1 : Perspective

USPC **D23/365**

1.2 : Front

(58) **Field of Classification Search**

1.3 : Back

USPC D23/351, 352, 355–365

1.4 : Left

CPC A61L 9/00; A61L 9/02; A61L 9/03; A61L

1.5 : Right

9/034; A61L 9/04; A61L 9/12; A61L

1.6 : Top

9/032; A61L 9/122; A61L 9/127; A61L

1.7 : Bottom

9/22; B01D 46/00; B01D 46/0002; B01D

1.8 : Reference view showing a state of use

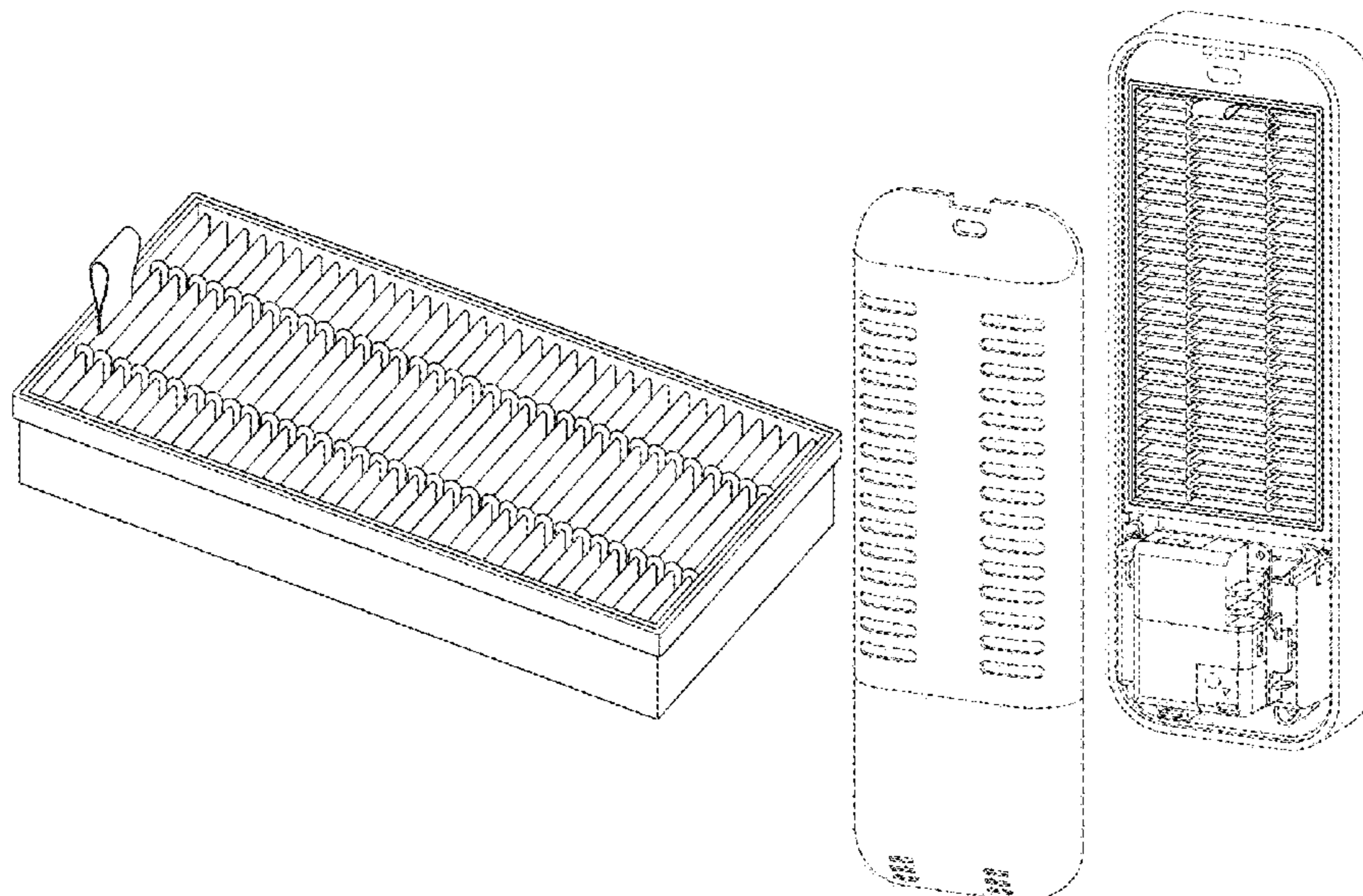
46/20; F02M 35/04; F24F 13/20; A62B

Broken lines illustrate environmental condition only and form no part of the claimed design.

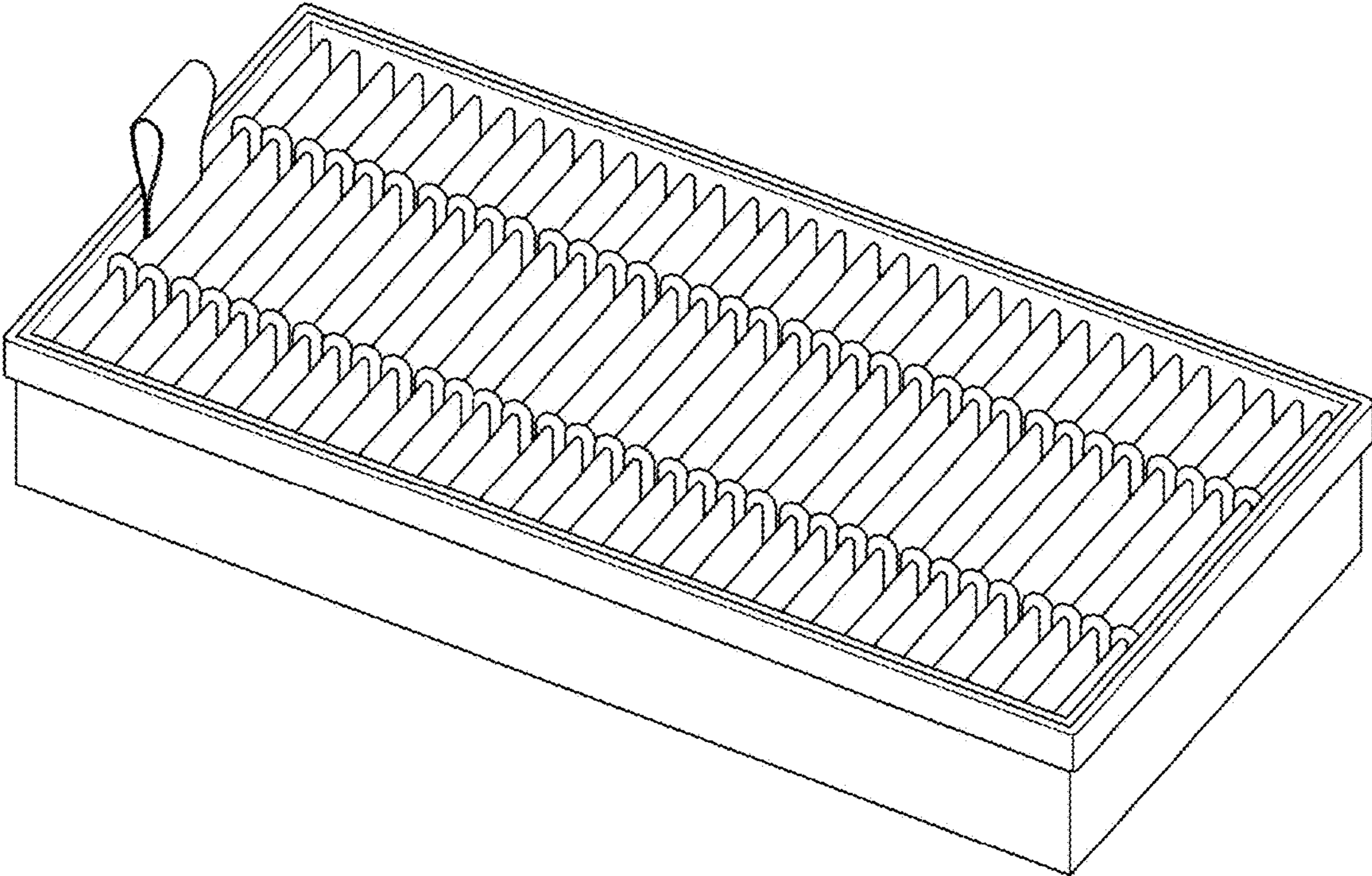
21/00; F25J 2205/84; F22M 35/02

See application file for complete search history.

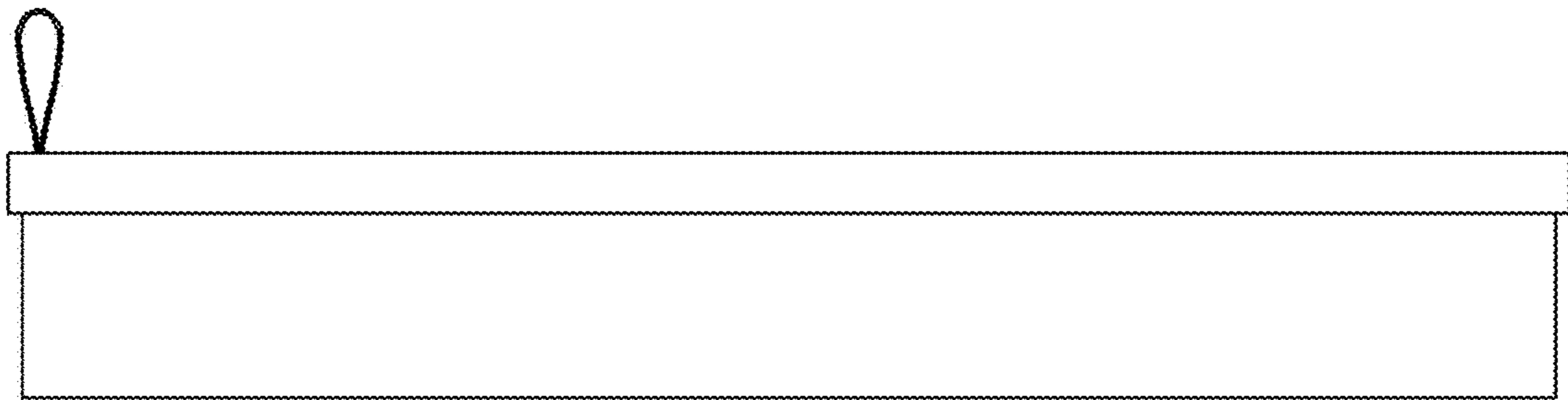
1 Claim, 8 Drawing Sheets



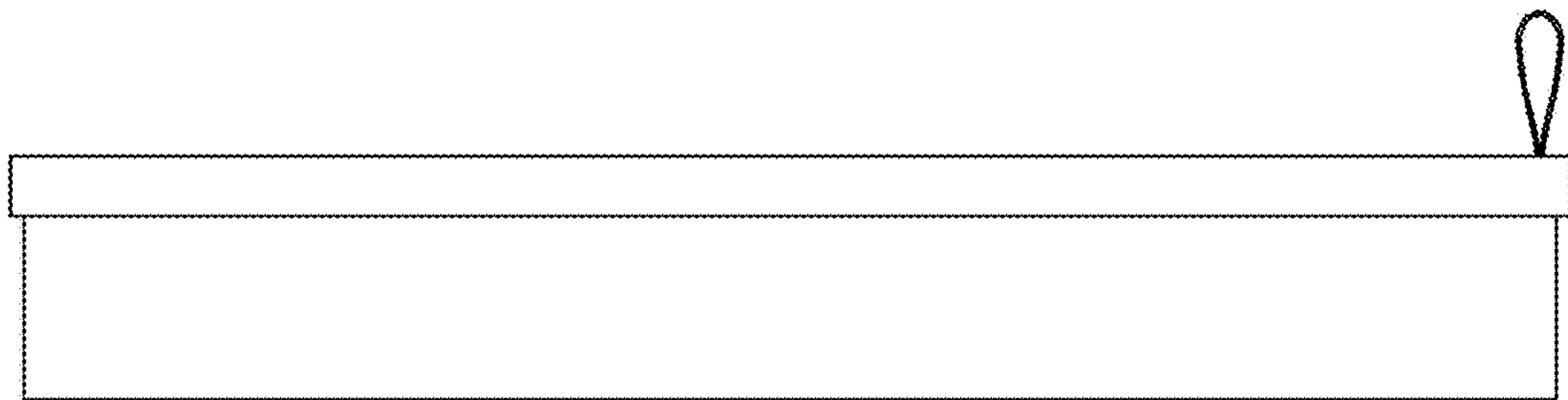
1.1



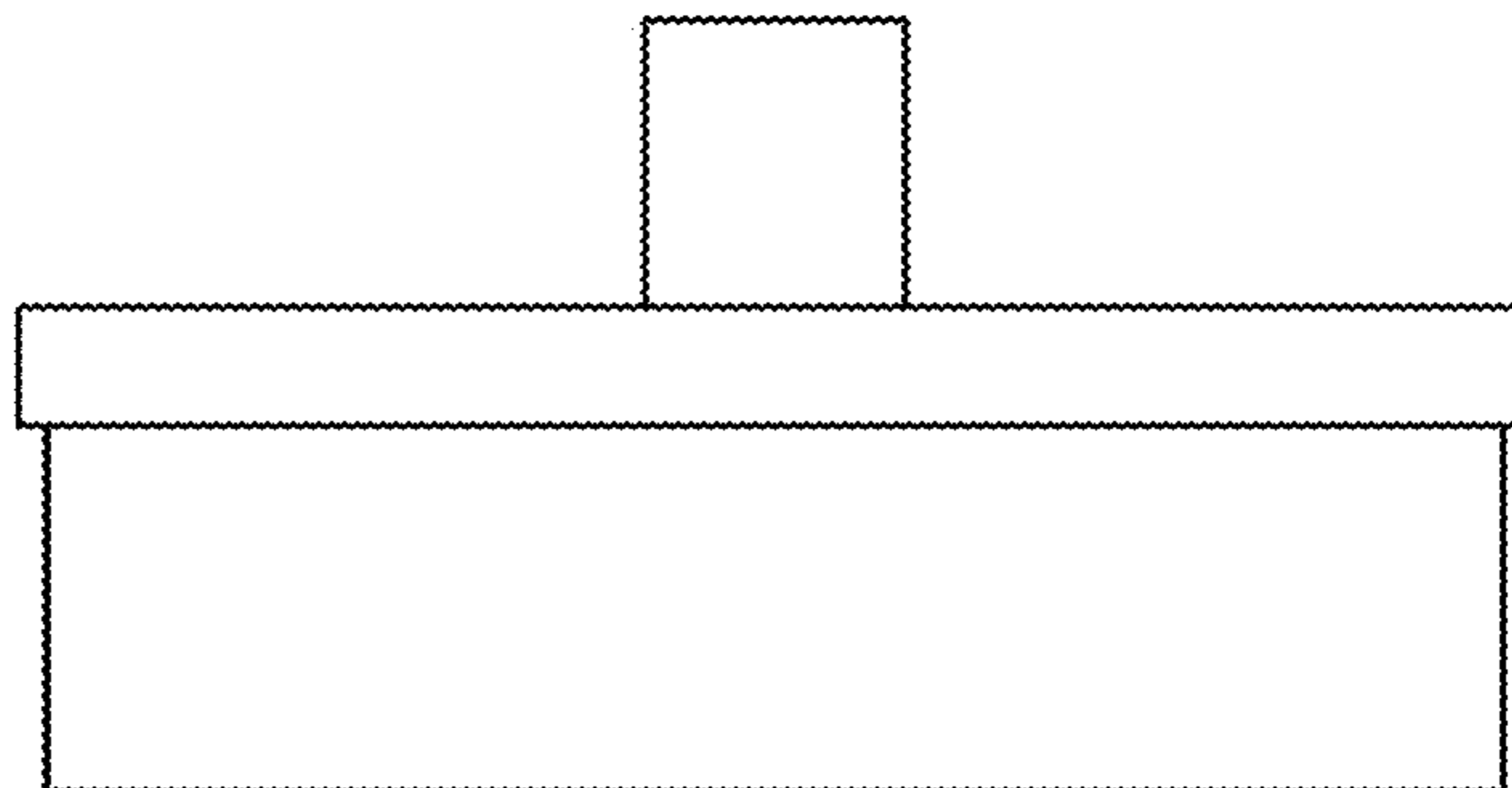
1.2



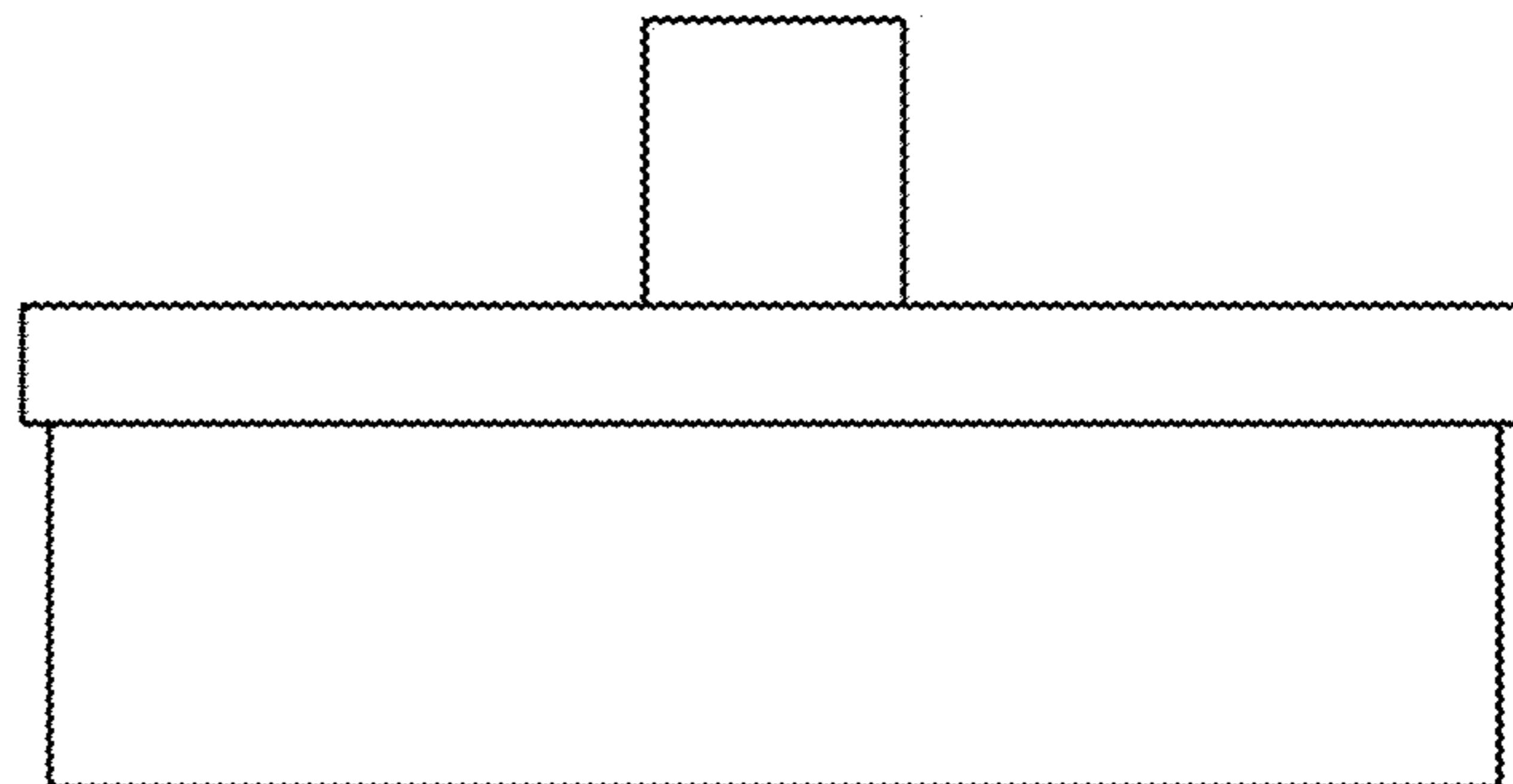
1.3



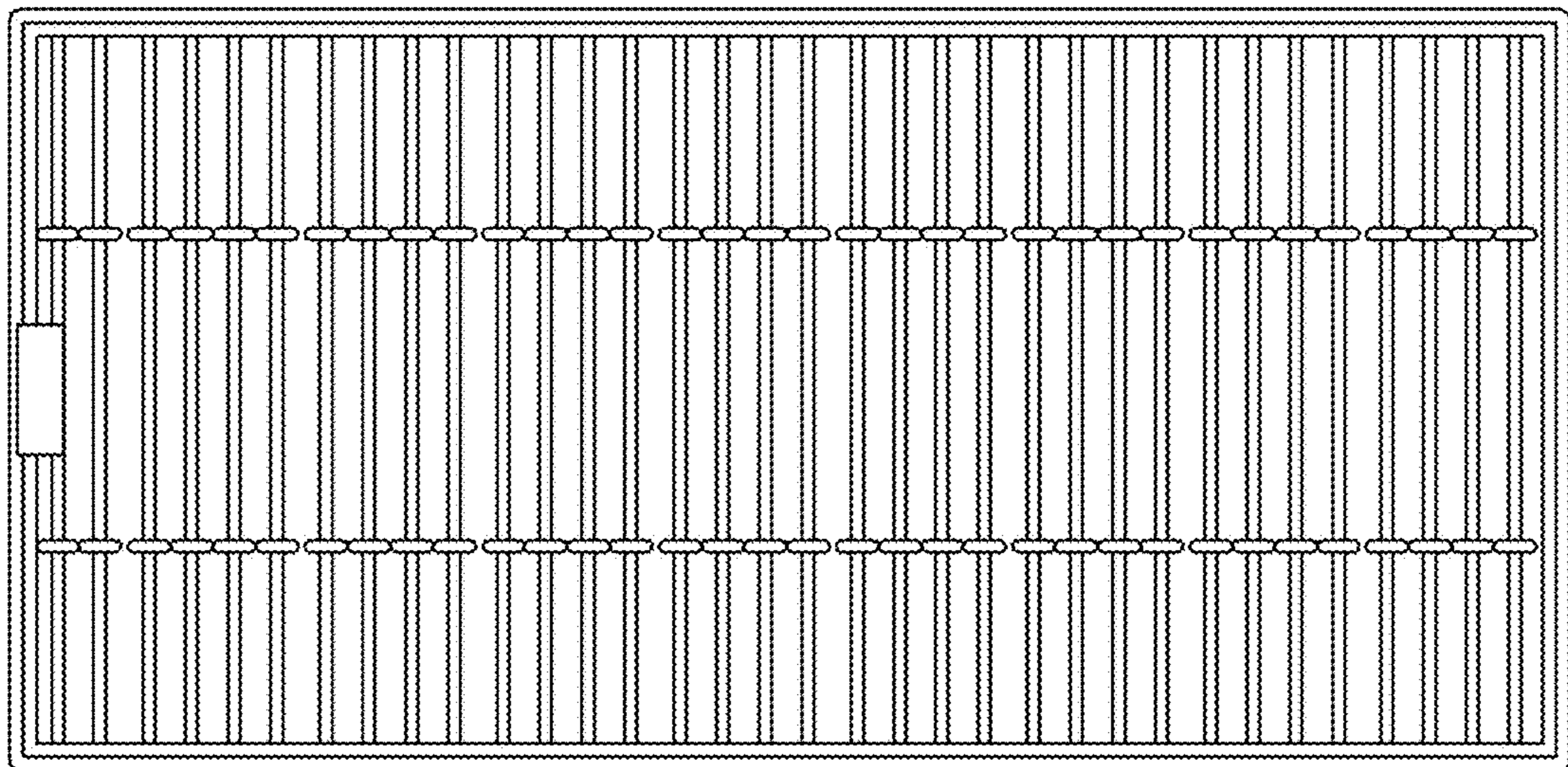
1.4



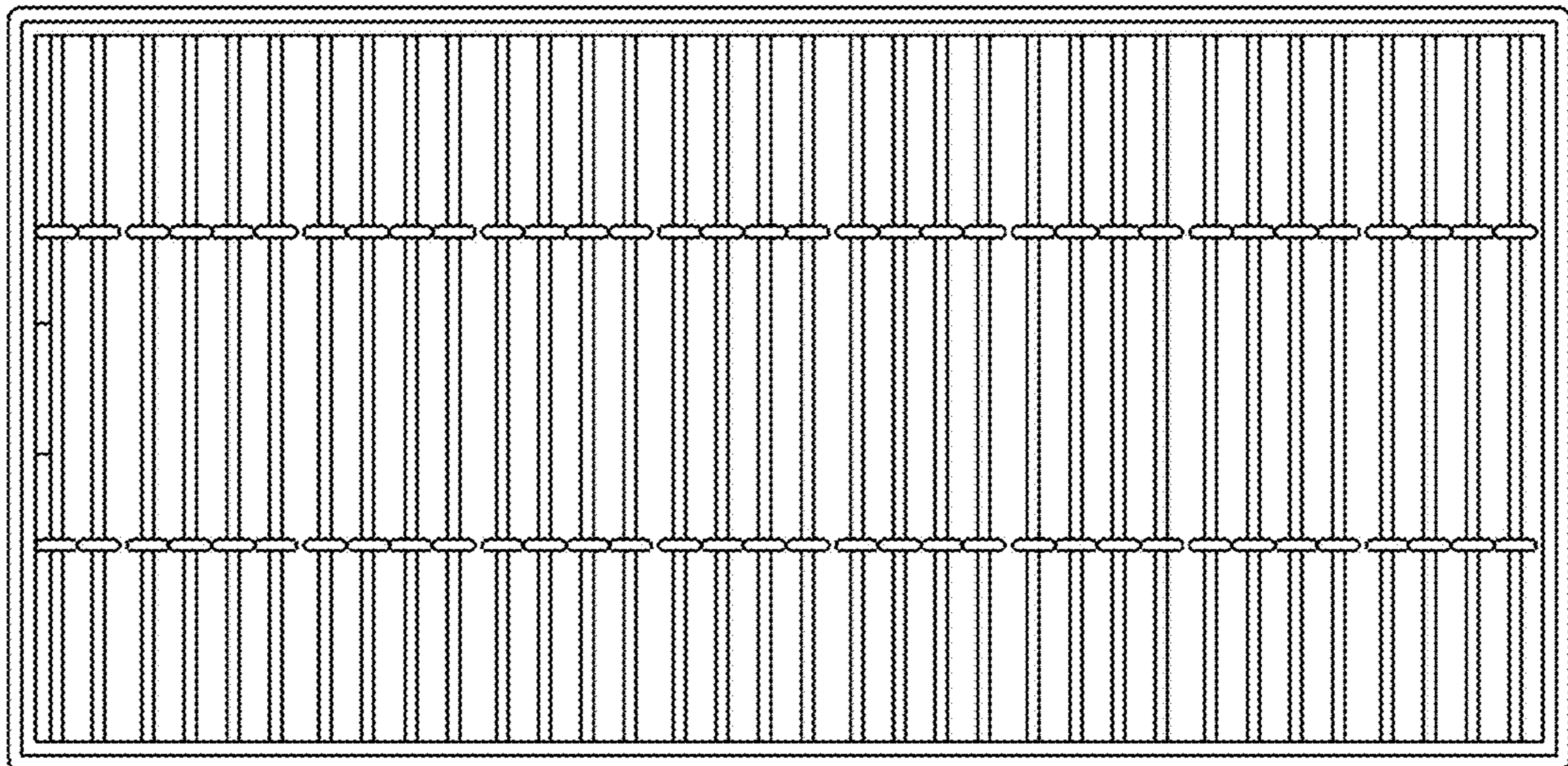
1.5



1.6



1.7



1.8

