



US00D910157S

(12) **United States Design Patent** (10) **Patent No.:** **US D910,157 S**
Yang et al. (45) **Date of Patent:** **** Feb. 9, 2021**

(54) **HUMIDIFIER**

(71) Applicant: **ETEK CITY CORPORATION**,
Anaheim, CA (US)

(72) Inventors: **Lin Yang**, Shenzhen (CN); **Hai Yang**,
Shenzhen (CN)

(**) Term: **15 Years**

(21) Appl. No.: **29/707,453**

(22) Filed: **Sep. 27, 2019**

(30) **Foreign Application Priority Data**

Jun. 14, 2019 (CN) 2019 3 0308619

(51) **LOC (13) Cl.** **23-04**

(52) **U.S. Cl.**
USPC **D23/356**

(58) **Field of Classification Search**
USPC D23/355-366, 352, 369, 332, 333, 335,
D23/336, 342, 351; 422/120, 122;
55/356, 473, 504; 96/97; 261/DIG. 17,
261/DIG. 65, DIG. 88, DIG. 31
CPC .. A61L 9/16; A61L 9/22; B01D 47/00; B01D
47/027; B01D 2221/02; B01D 2259/4508;
B03C 3/155; B03C 3/368; F24F 3/16;
F24F 13/20; F24F 13/28; F24F
2001/0096

See application file for complete search history.

(56) **References Cited**

U.S. PATENT DOCUMENTS

D543,613 S * 5/2007 Holekamp D23/366
D613,844 S * 4/2010 Jorgensen D23/366

D752,807 S * 3/2016 Young D27/163
D800,885 S * 10/2017 Chou D23/366
D801,503 S * 10/2017 Reed D23/356
D803,373 S * 11/2017 Chou D23/366
D803,375 S * 11/2017 Wu D23/366
D855,784 S * 8/2019 Seo D23/358
D860,424 S * 9/2019 Seo D23/358
D870,870 S * 12/2019 Copparstad D23/351
D874,626 S * 2/2020 Protet D23/356
D877,877 S * 3/2020 Klipshtein D23/366
D888,924 S * 6/2020 Gobber D23/366

* cited by examiner

Primary Examiner — David G Muller

(74) *Attorney, Agent, or Firm* — Tsz Lung Yeung

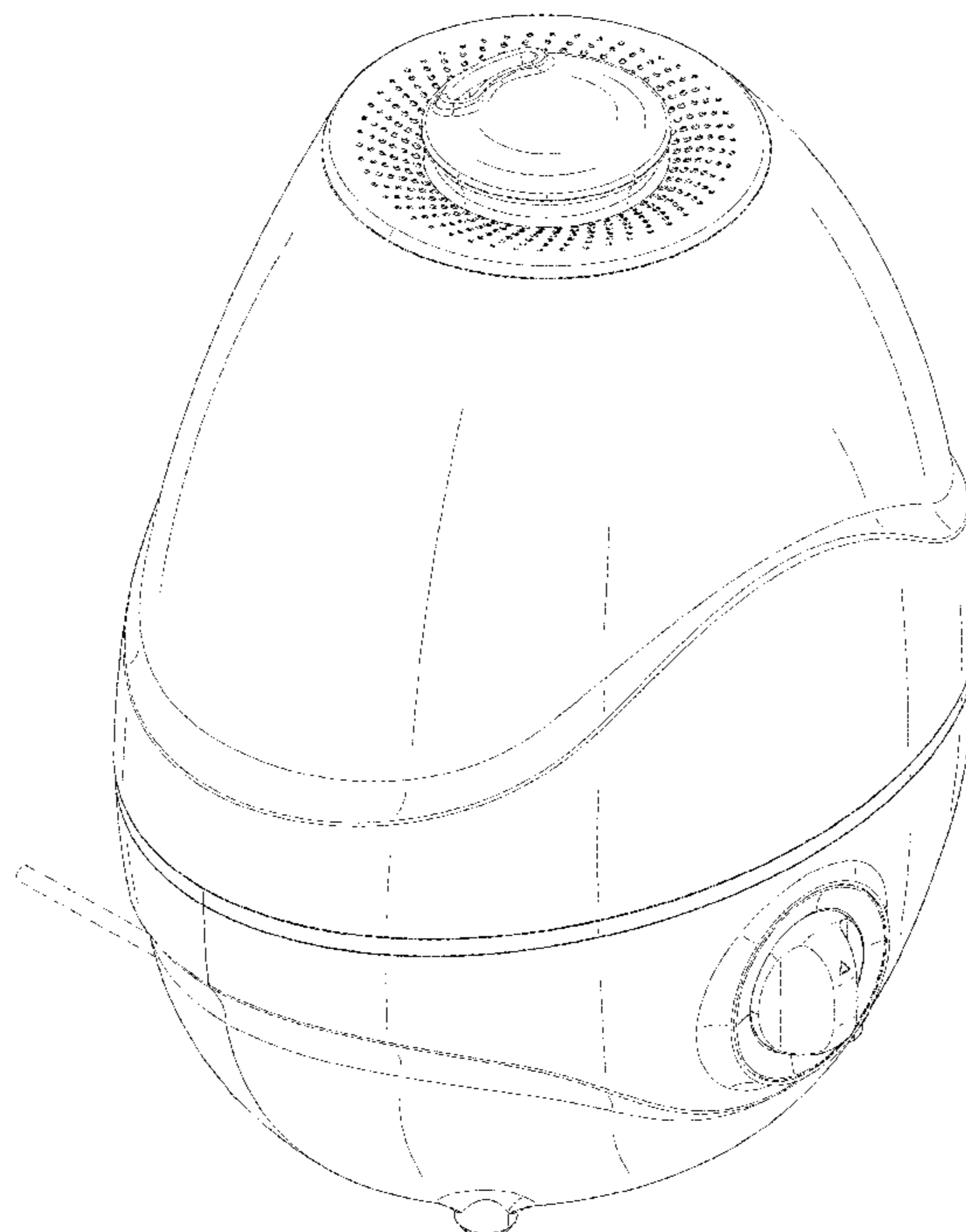
(57) **CLAIM**

The ornamental design for a humidifier, as shown and described.

DESCRIPTION

FIG. 1 is a perspective view of a humidifier showing my new design;
FIG. 2 is a front view thereof;
FIG. 3 is a rear view thereof;
FIG. 4 is a right side view thereof;
FIG. 5 is a left side view thereof;
FIG. 6 is a top view thereof;
FIG. 7 is a bottom view thereof; and,
FIG. 8 is another perspective view thereof.
The broken lines in the figures illustrate portions of the humidifier or the environment that form no part of the claimed design.

1 Claim, 8 Drawing Sheets



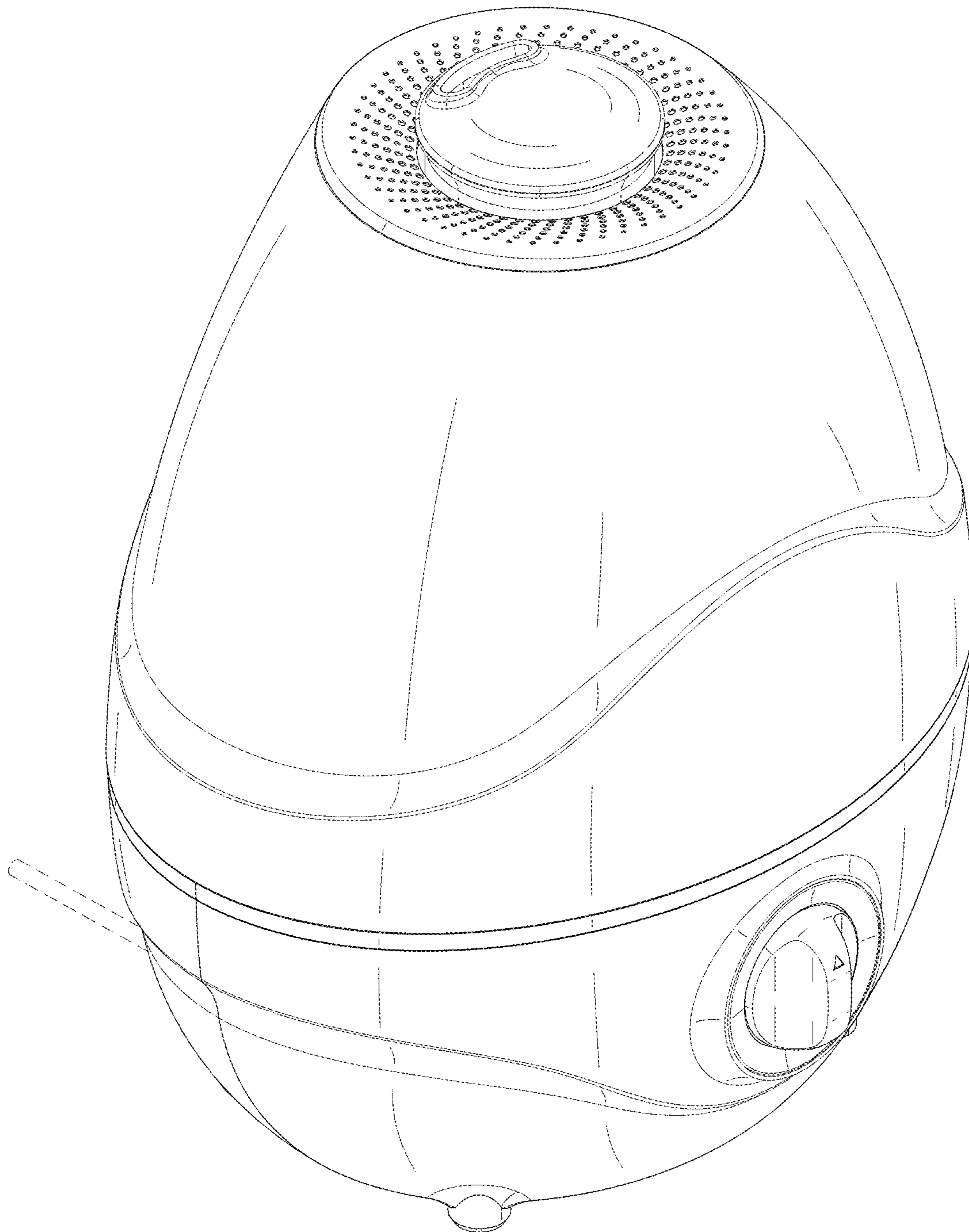


FIG. 1

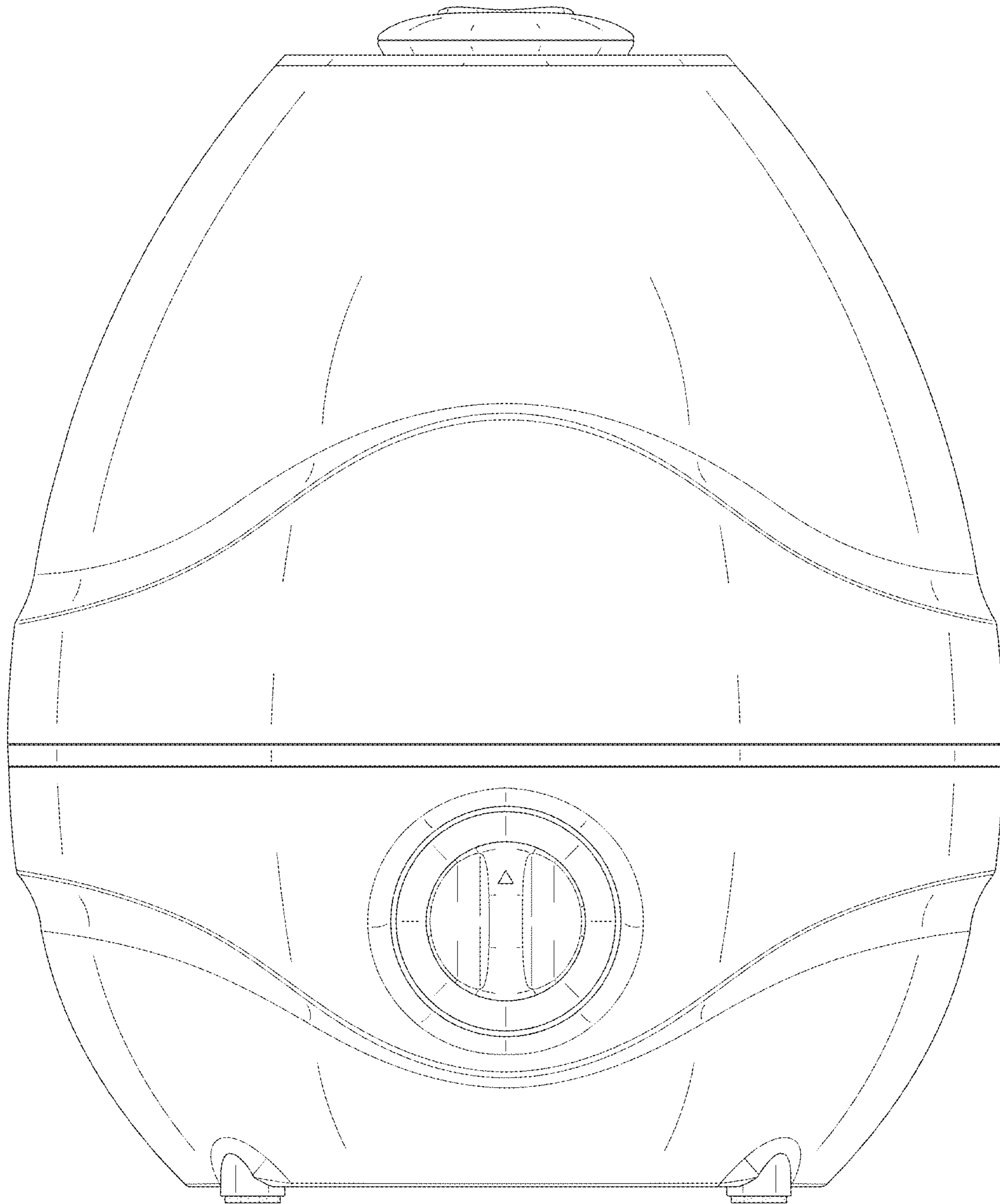


FIG. 2

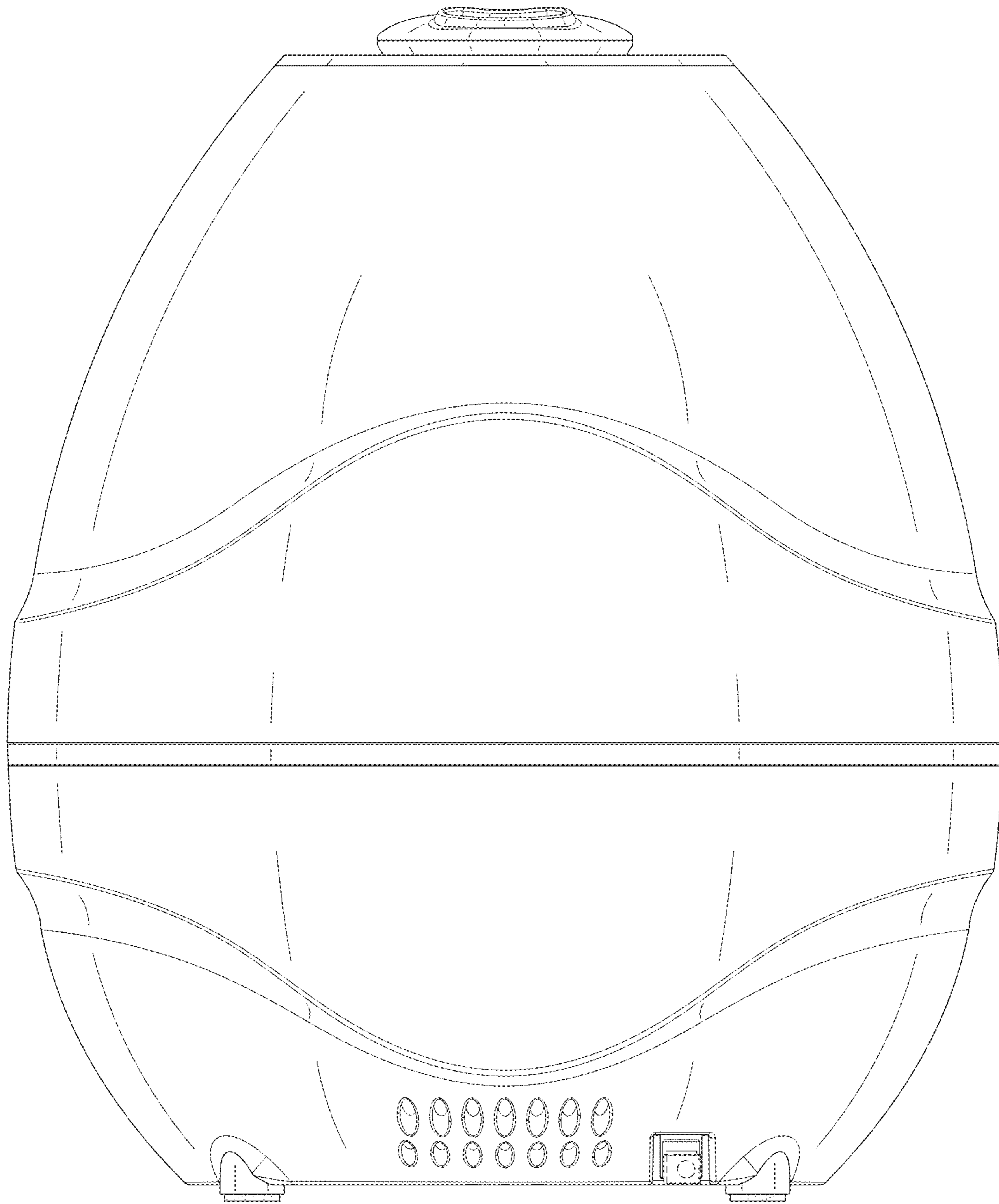


FIG. 3

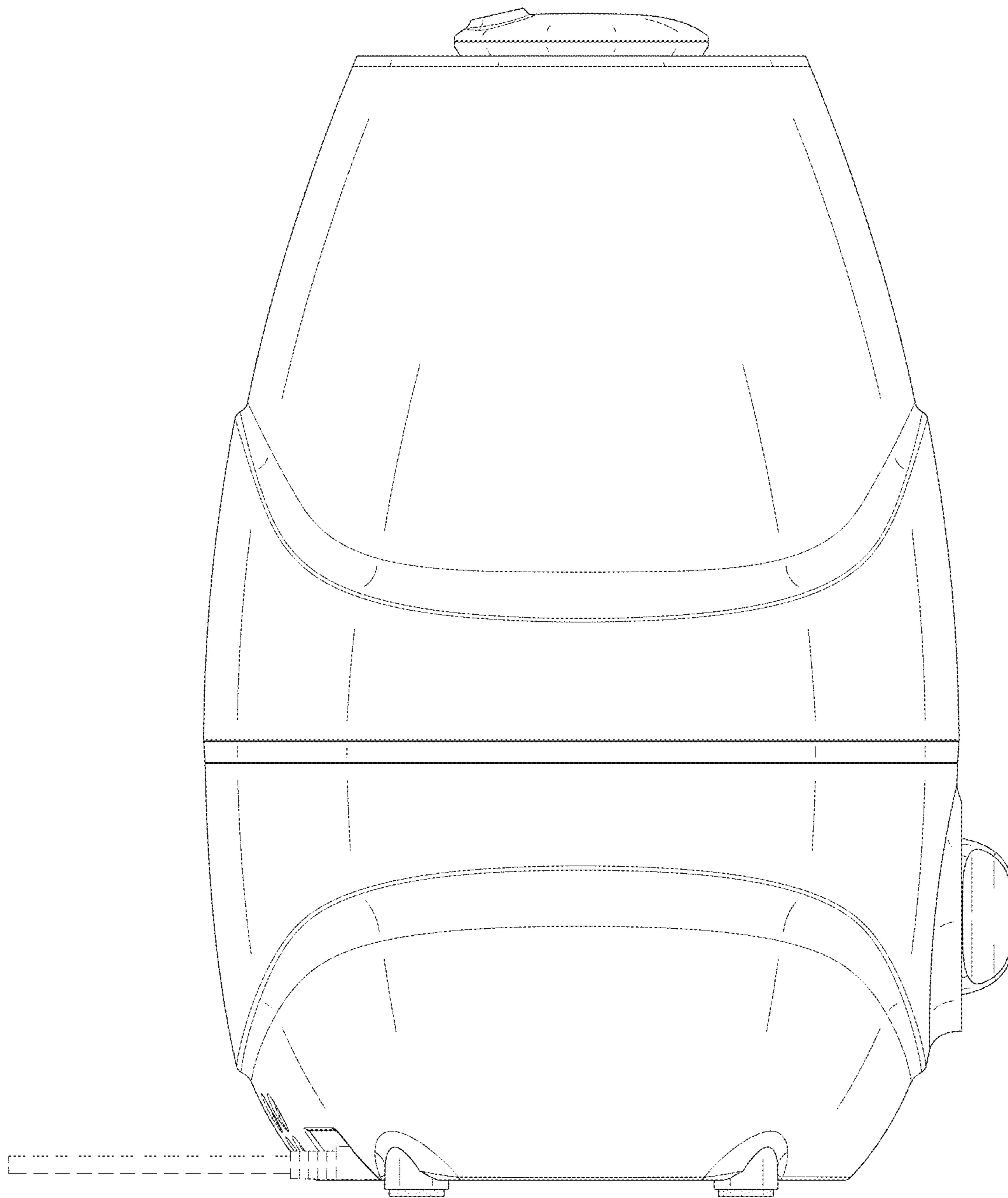


FIG.4

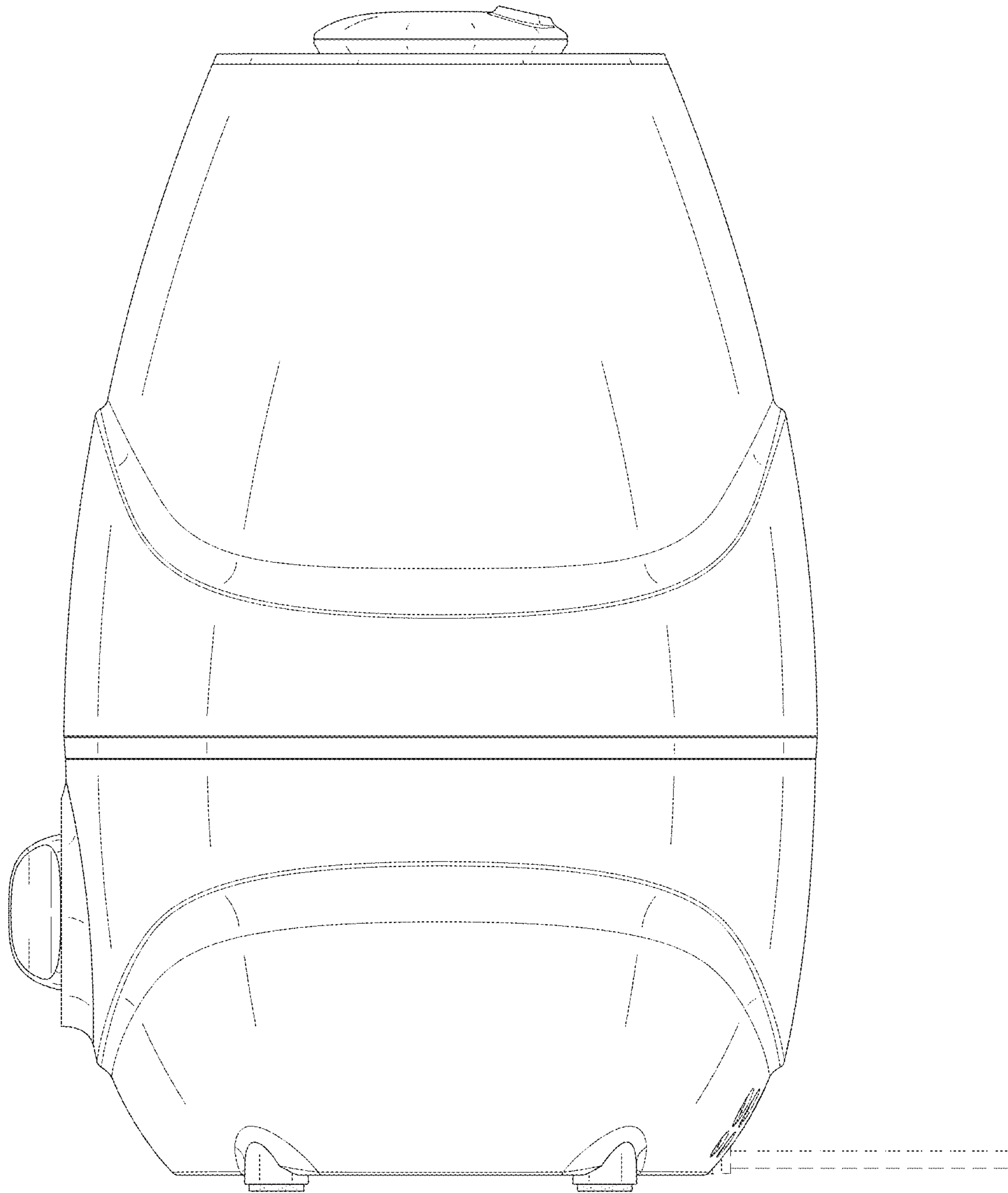


FIG. 5

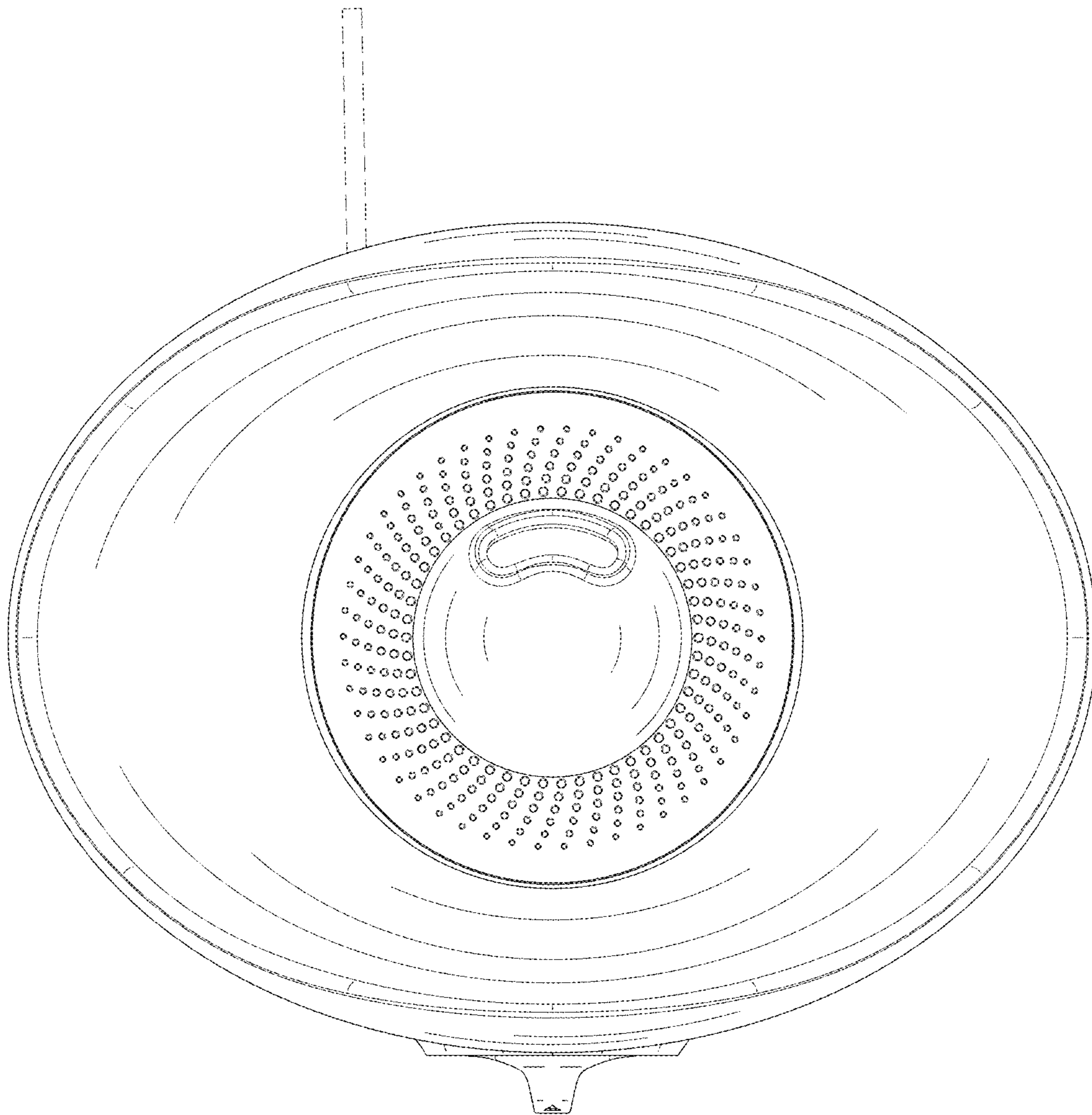


FIG.6

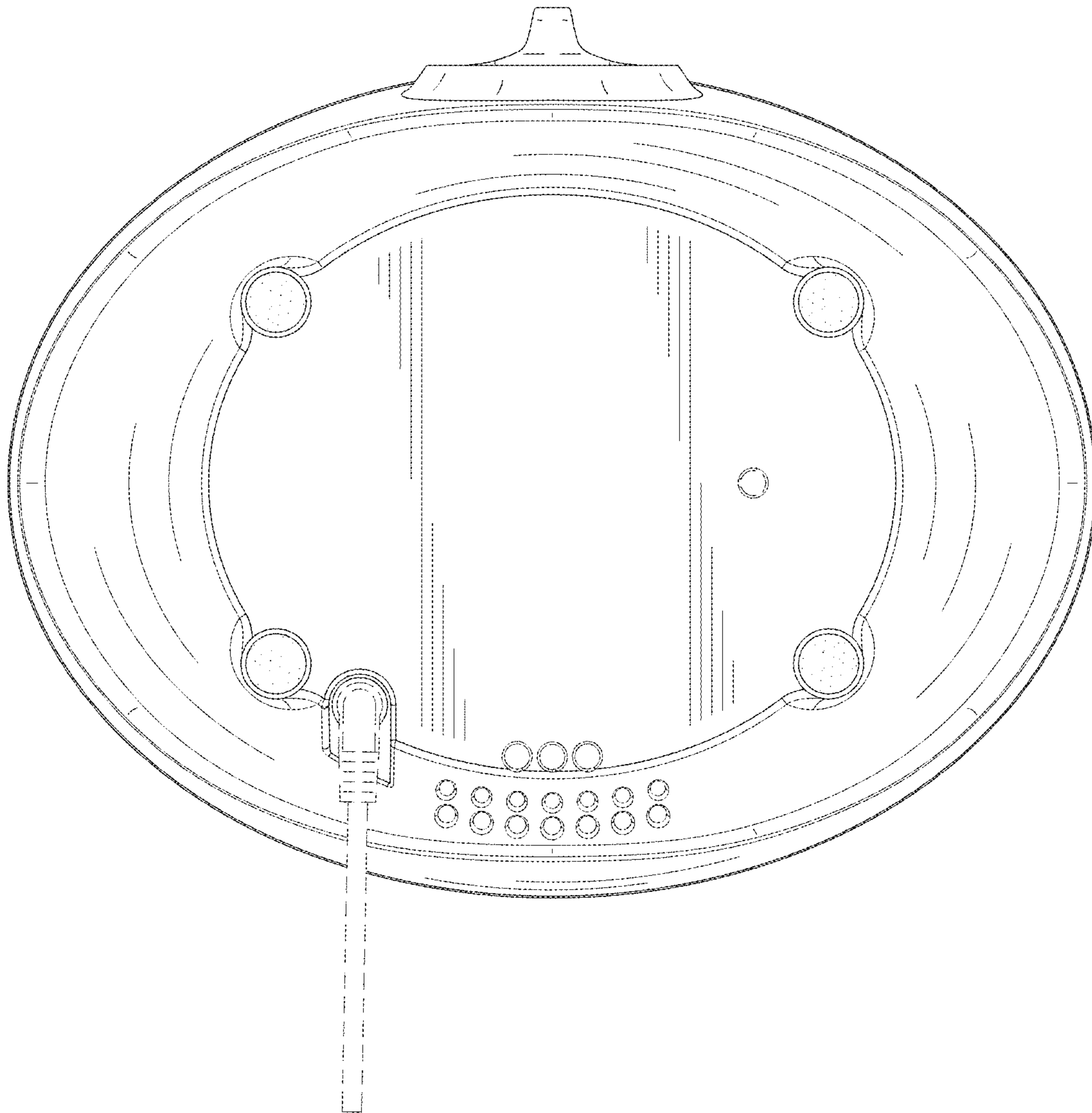


FIG. 7

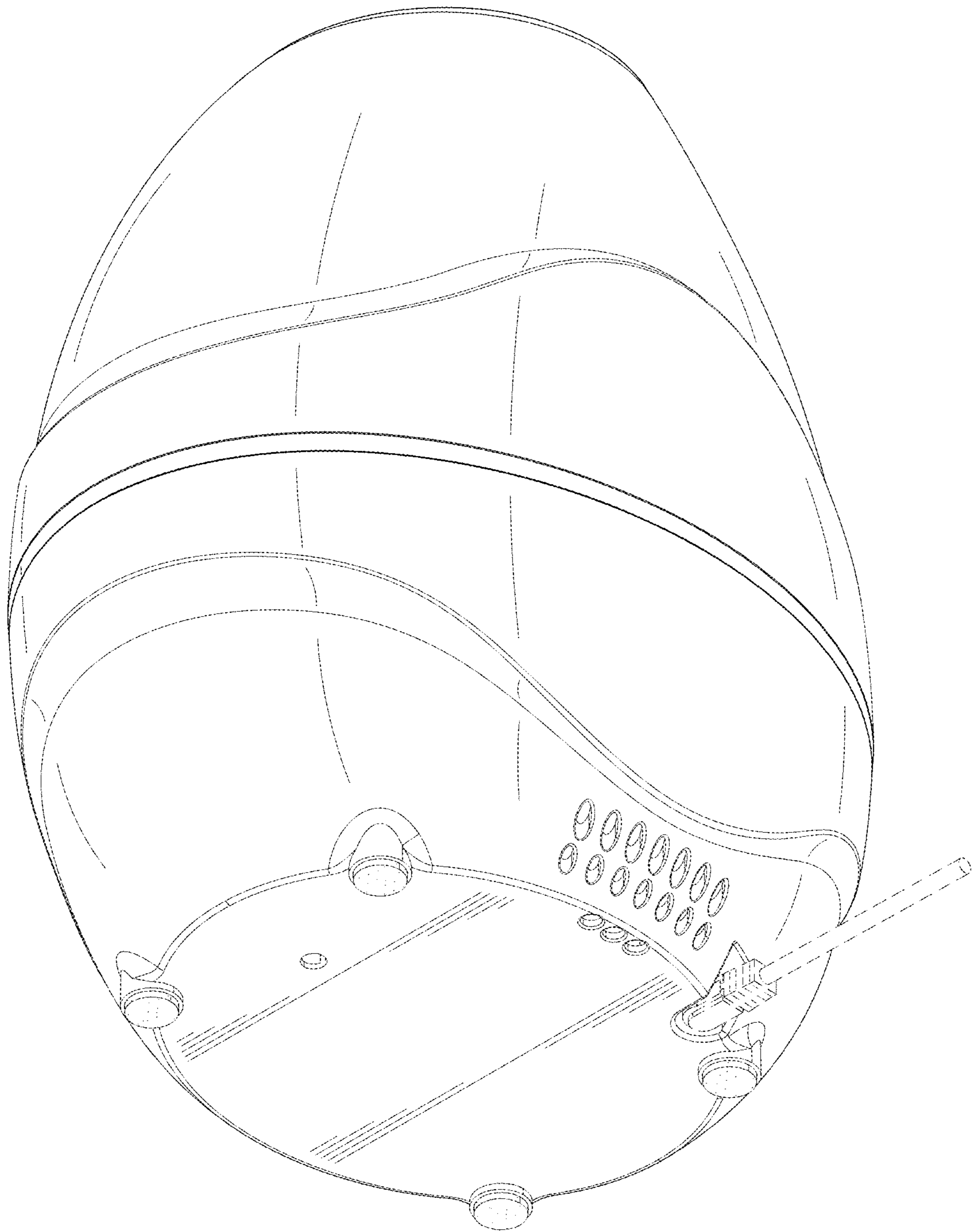


FIG. 8