



US00D910152S

(12) **United States Design Patent** (10) **Patent No.:** **US D910,152 S**
Kulig (45) **Date of Patent:** **** Feb. 9, 2021**

- (54) **FAUCET HANDLE**
- (71) Applicant: **Graff Faucets**, Milwaukee, WI (US)
- (72) Inventor: **Zbigniew Kulig**, Wadsworth, IL (US)
- (73) Assignee: **Graff Faucets**, Milwaukee, WI (US)
- (**) Term: **15 Years**
- (21) Appl. No.: **29/690,749**
- (22) Filed: **May 10, 2019**
- (51) **LOC (13) Cl.** **23-01**
- (52) **U.S. Cl.**
USPC **D23/253**
- (58) **Field of Classification Search**
USPC D23/238-243, 249-250, 252, 254, 253;
D8/307-308
See application file for complete search history.

D539,874 S *	4/2007	Sallick	D23/252
D546,421 S	7/2007	Kulig et al.	
D621,004 S	3/2010	Kulig	
D625,392 S	10/2010	Kulig	
D632,369 S	2/2011	Kulig	
D636,061 S	4/2011	Kulig	
D636,463 S	4/2011	Kulig	
D657,023 S *	4/2012	McKeone	D23/253
D666,695 S	9/2012	Kulig	
D714,426 S	9/2014	Kulig	
D724,698 S	3/2015	Kulig	
D792,559 S	7/2017	Kulig	
D797,244 S	9/2017	Kulig	
D868,946 S *	12/2019	Garland	D23/253
D870,858 S *	12/2019	Garland	D23/253

* cited by examiner

Primary Examiner — Robert A Delehanty
(74) *Attorney, Agent, or Firm* — Boyle Fredrickson S.C.

(57) **CLAIM**

The ornamental design for a faucet handle, as shown and described.

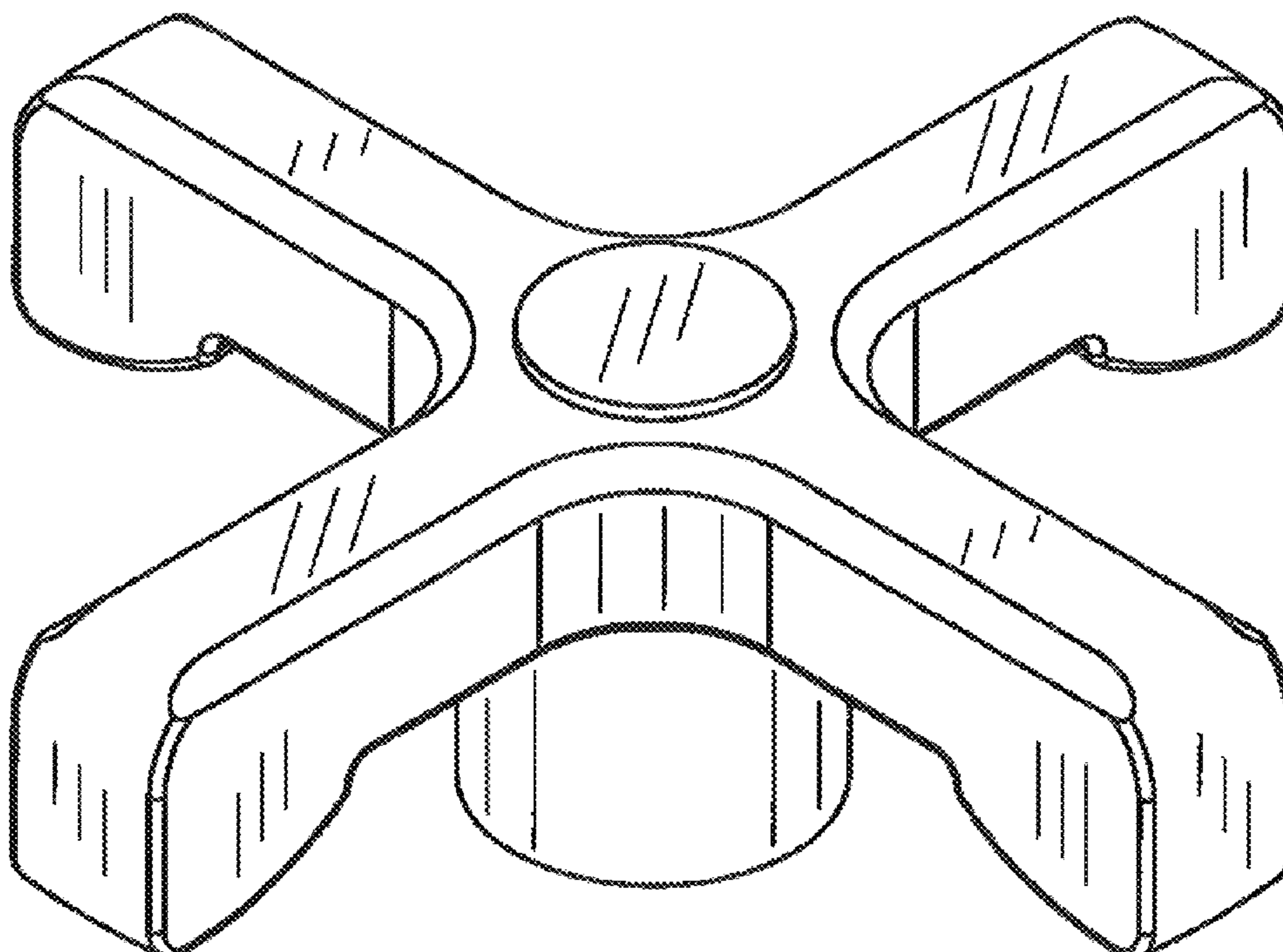
DESCRIPTION

FIG. 1 is top, front, right, perspective view of a faucet handle incorporating my new design;
FIG. 2 is a front elevation view thereof;
FIG. 3 is a rear elevation view thereof;
FIG. 4 is a left-side elevation view thereof;
FIG. 5 is a right-side elevation view thereof;
FIG. 6 is a top plan view thereof; and,
FIG. 7 is a bottom plan view thereof.
The broken lines in the drawings depict portions of the faucet handle that form no part of the of the claimed design.

1 Claim, 7 Drawing Sheets

(56) **References Cited**
U.S. PATENT DOCUMENTS

D238,928 S *	2/1976	Kipp	D8/107
D466,987 S *	12/2002	Smith	D23/253
D495,401 S *	8/2004	Smith	D23/252
D505,995 S	6/2005	Kulig	
D512,487 S	12/2005	Kulig	
D512,488 S	12/2005	Kulig	
D514,201 S	1/2006	Kulig	
D514,203 S	1/2006	Kulig	
D517,647 S	3/2006	Kulig	
D517,648 S	3/2006	Kulig	
D520,119 S	5/2006	Kulig	
D524,417 S	7/2006	Kulig	
D527,443 S	8/2006	Kulig	



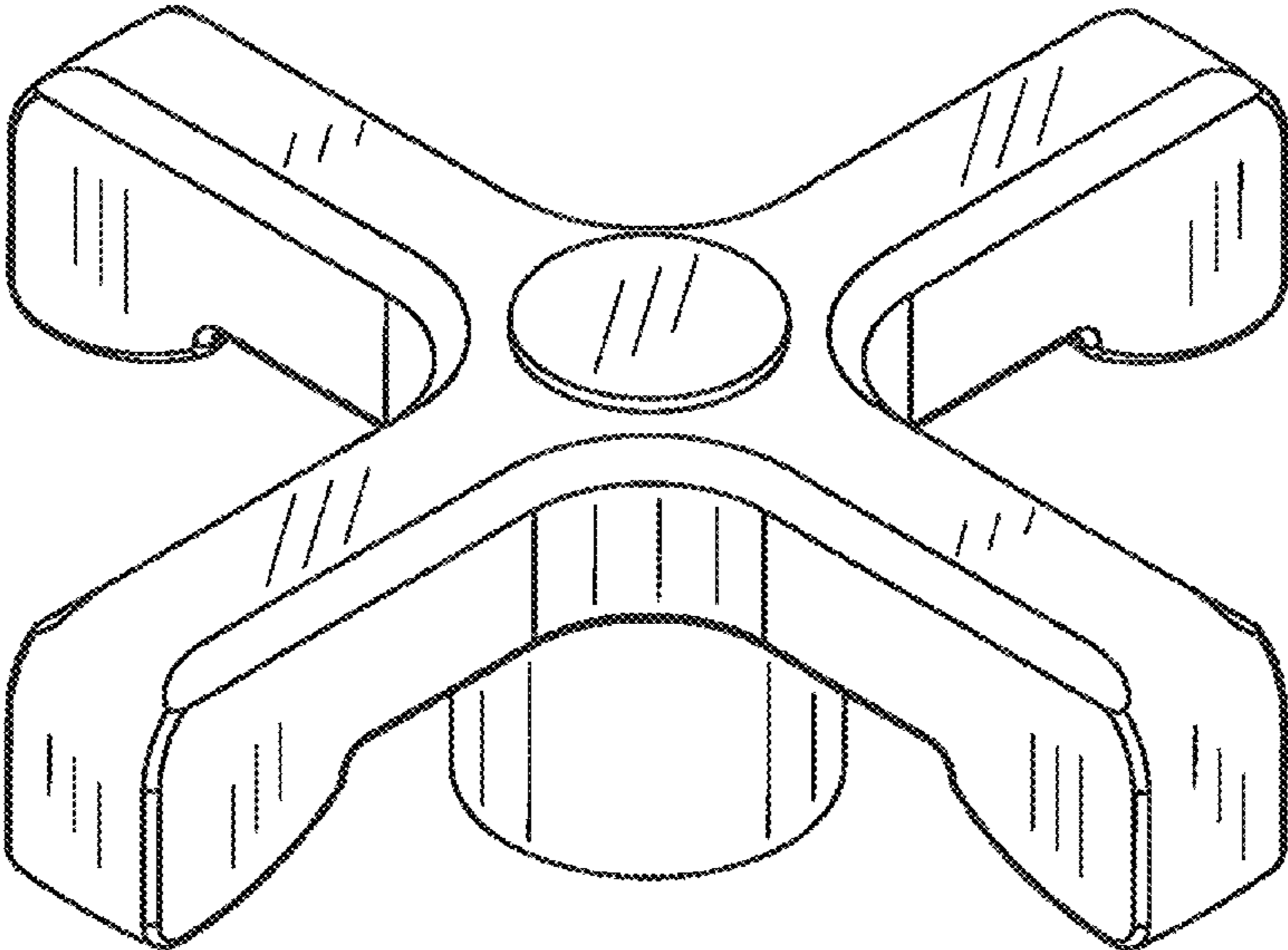


FIG. 1

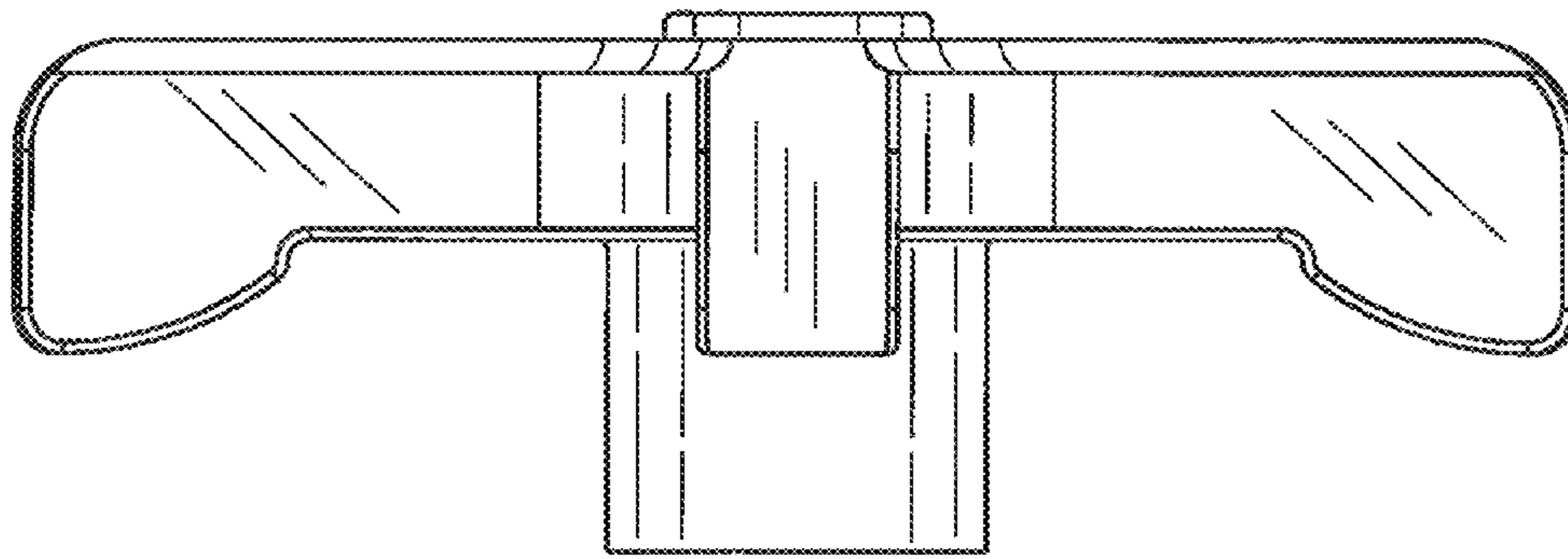


FIG. 2

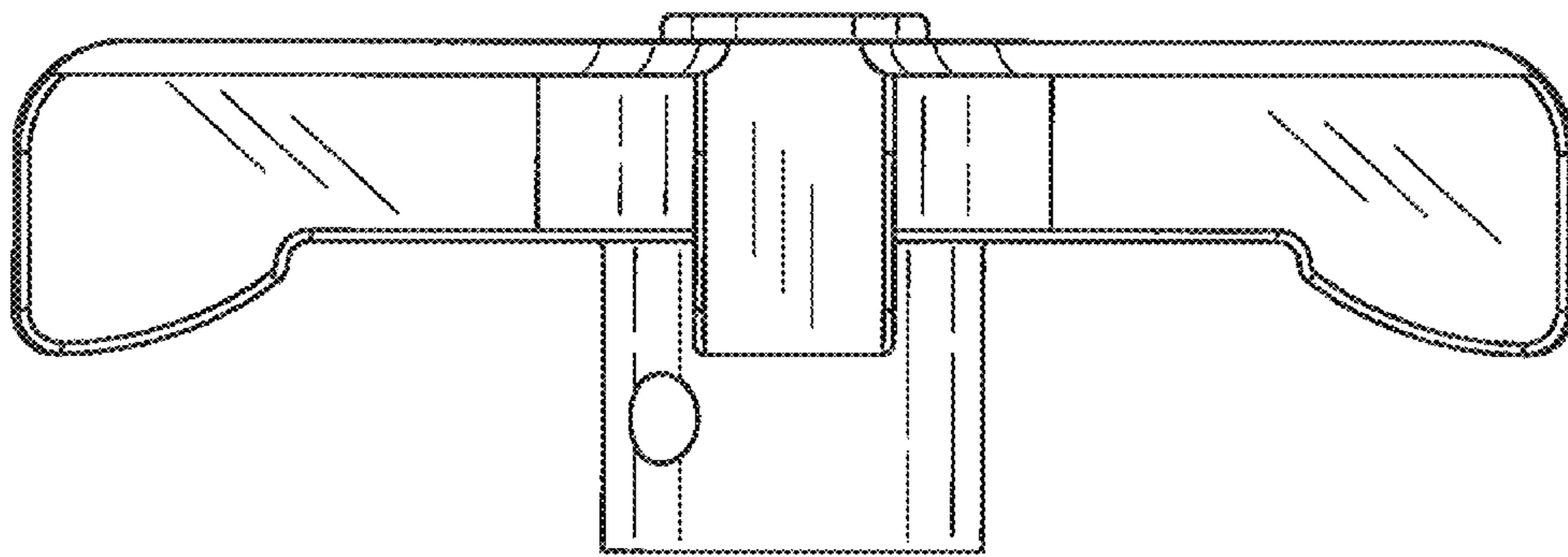


FIG. 3

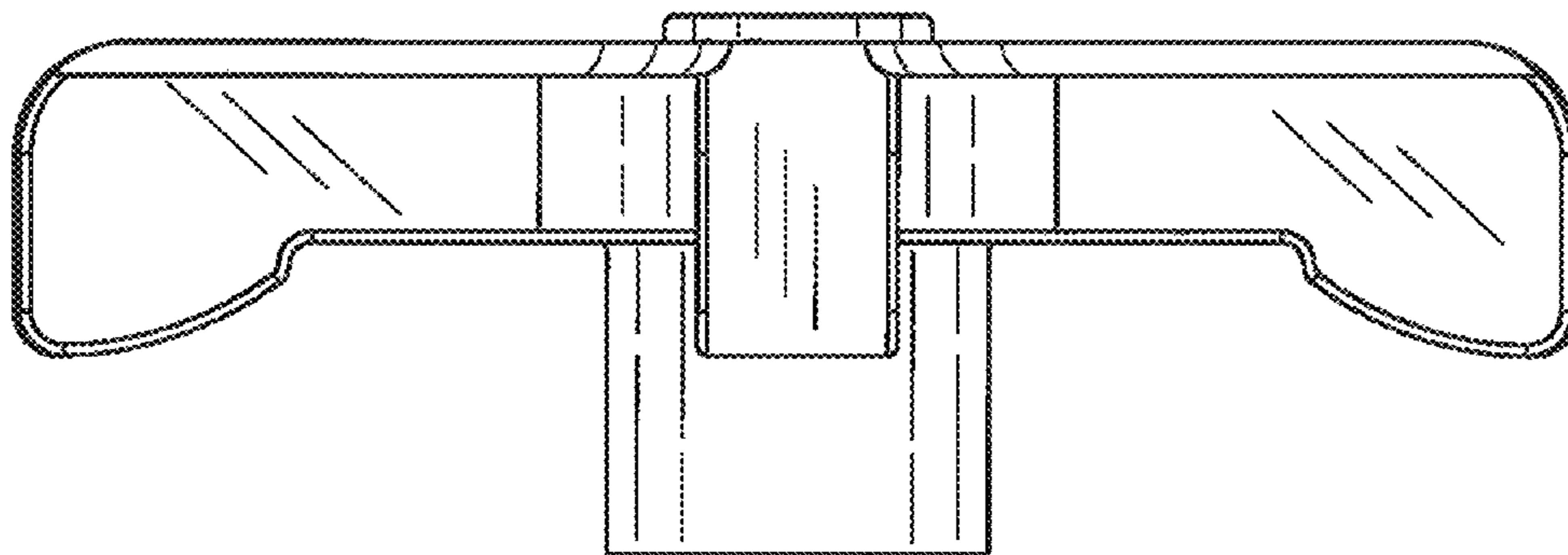


FIG. 4

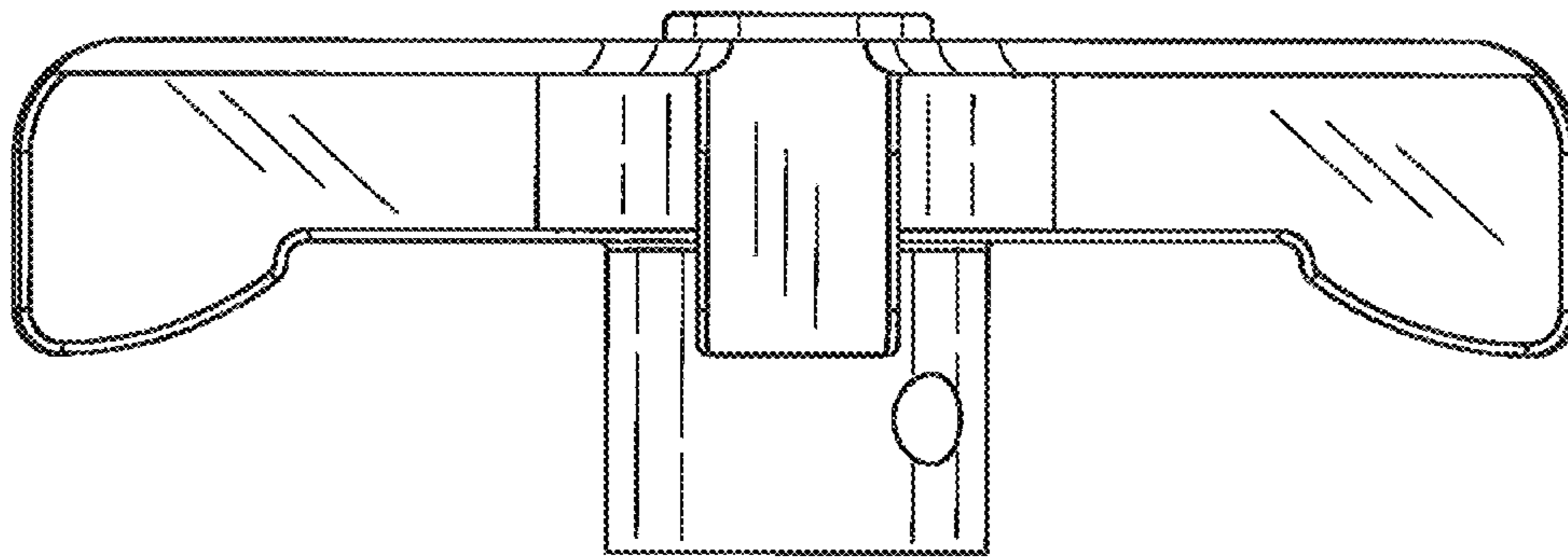


FIG. 5

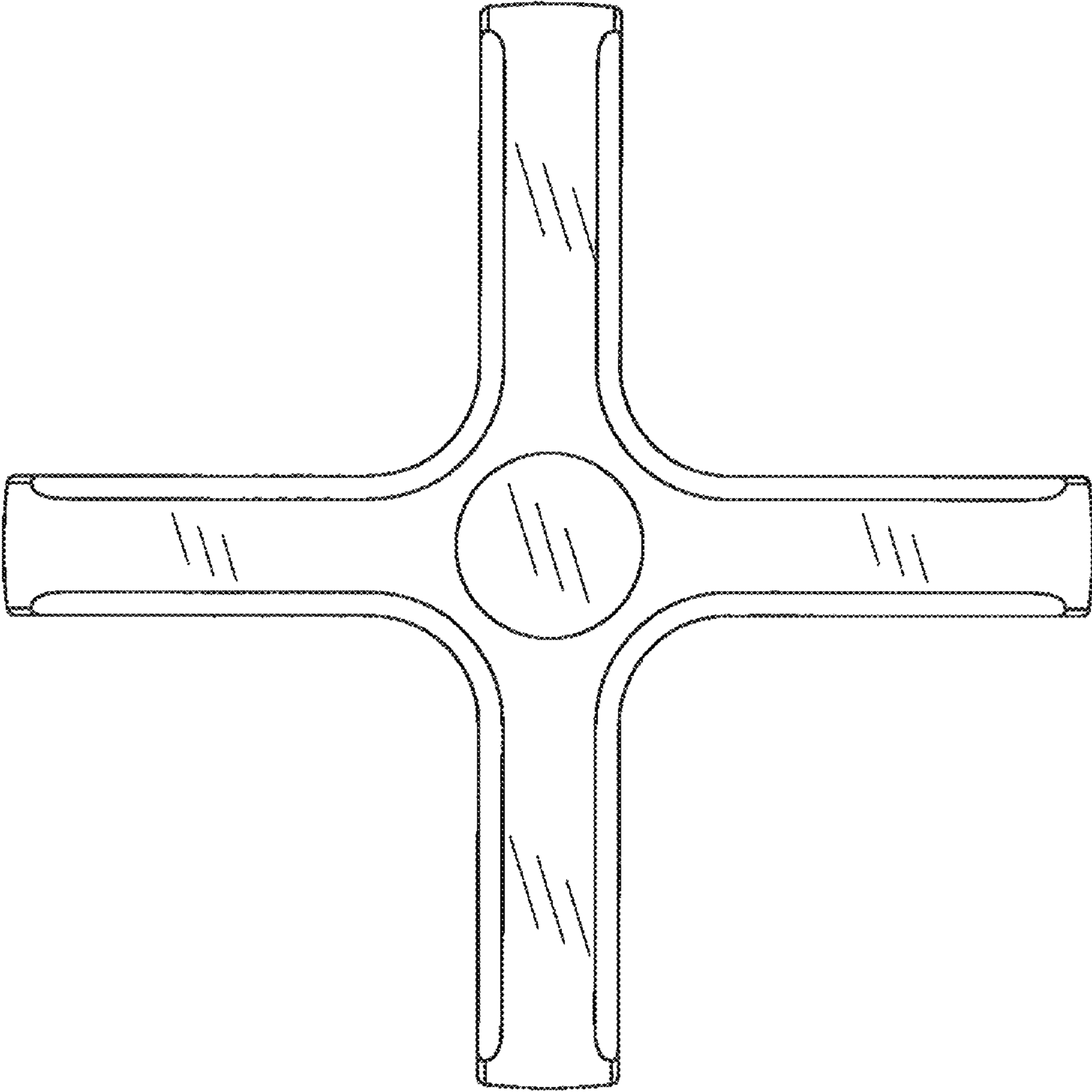


FIG. 6

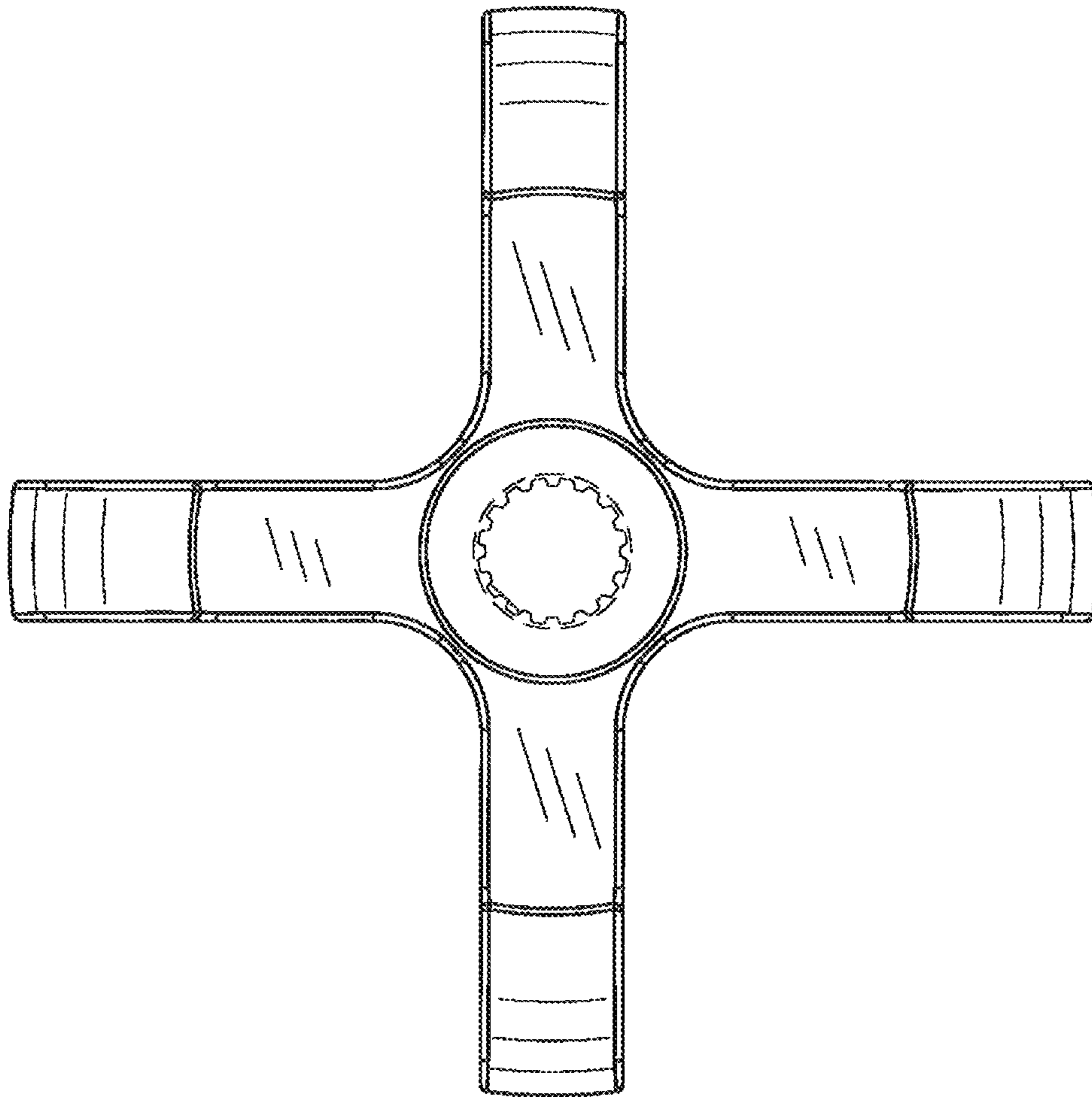


FIG. 7