



US00D910151S

(12) **United States Design Patent** (10) **Patent No.:** **US D910,151 S**  
**Kulig** (45) **Date of Patent:** **\*\* Feb. 9, 2021**

- (54) **FAUCET HANDLE**
- (71) Applicant: **Graff Faucets**, Milwaukee, WI (US)
- (72) Inventor: **Zbigniew Kulig**, Wadworth, IL (US)
- (73) Assignee: **Graff Faucets**, Milwaukee, WI (US)
- (\*\*) Term: **15 Years**
- (21) Appl. No.: **29/690,747**
- (22) Filed: **May 10, 2019**
- (51) **LOC (13) Cl.** ..... **23-01**
- (52) **U.S. Cl.**  
USPC ..... **D23/252**
- (58) **Field of Classification Search**  
USPC ..... D23/238-243, 249-250, 252, 254;  
D8/307-308  
See application file for complete search history.

- D539,874 S \* 4/2007 Sallick ..... D23/252
- D546,421 S 7/2007 Kulig et al.
- D621,004 S 3/2010 Kulig
- D625,392 S 10/2010 Kulig
- D632,369 S 2/2011 Kulig
- D636,061 S 4/2011 Kulig
- D636,463 S 4/2011 Kulig
- D666,695 S 9/2012 Kulig
- D714,426 S 9/2014 Kulig
- D717,918 S \* 11/2014 Standefer ..... D23/252
- D724,698 S 3/2015 Kulig
- 9,328,486 B2 \* 5/2016 Chong ..... E03C 1/0404
- D789,765 S \* 6/2017 Wang ..... D8/308
- D792,559 S 7/2017 Kulig
- D797,244 S 9/2017 Kulig

\* cited by examiner

*Primary Examiner* — Robert A Delehanty  
(74) *Attorney, Agent, or Firm* — Boyle Fredrickson S.C.

(57) **CLAIM**

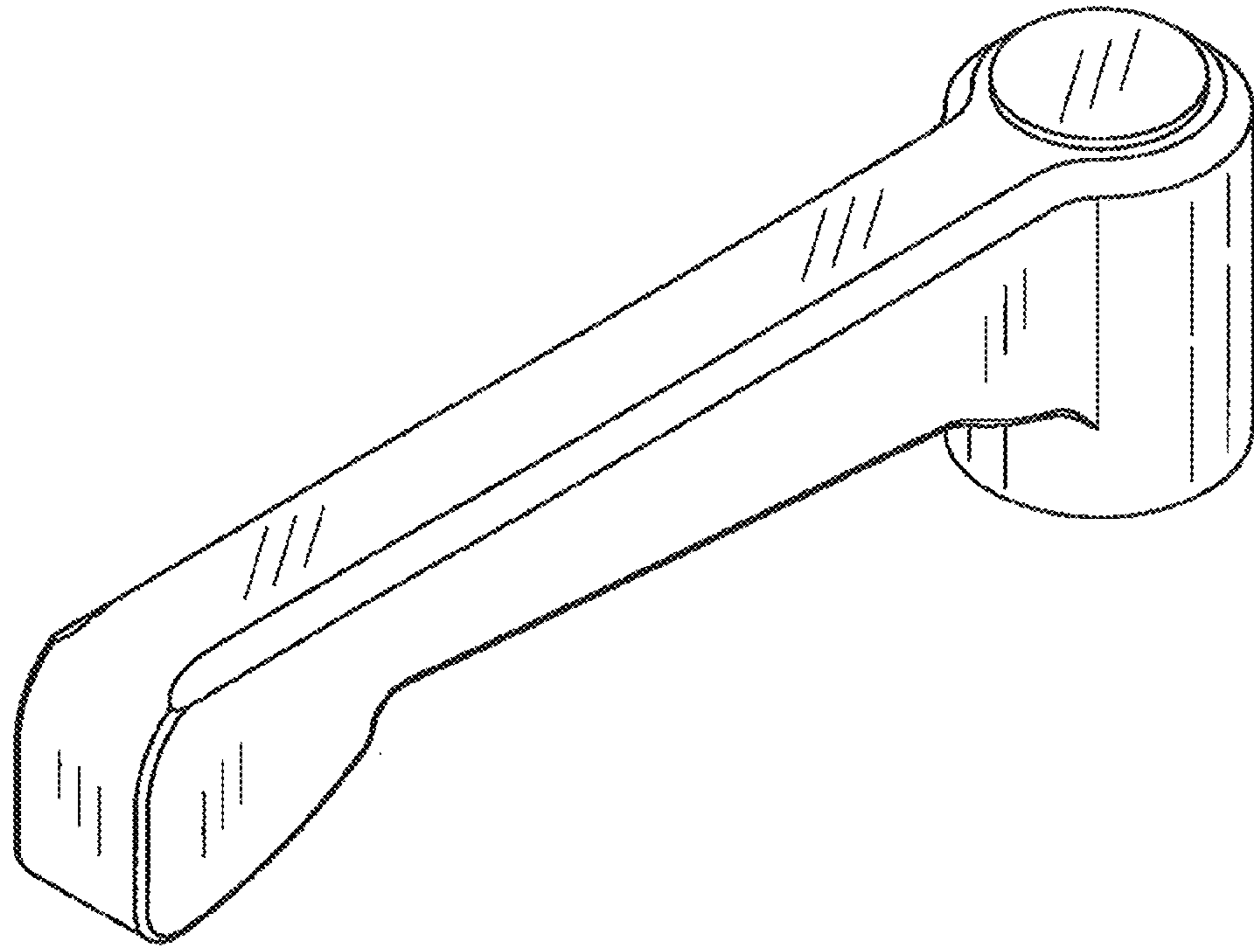
The ornamental design for a faucet handle, as shown and described.

**DESCRIPTION**

FIG. 1 is top, front, right, perspective view of a faucet handle incorporating my new design;  
FIG. 2 is a front elevation view thereof;  
FIG. 3 is a rear elevation view thereof;  
FIG. 4 is a left-side elevation view thereof;  
FIG. 5 is a right-side elevation view thereof;  
FIG. 6 is a top plan view thereof; and,  
FIG. 7 is a bottom plan view thereof.  
The broken lines in the drawings depict portions of the faucet handle that form no part of the of the claimed design.

**1 Claim, 7 Drawing Sheets**

- (56) **References Cited**
- U.S. PATENT DOCUMENTS
- D238,928 S \* 2/1976 Kipp ..... D23/252
- D375,785 S \* 11/1996 Spano ..... D23/252
- D466,990 S \* 12/2002 Wang ..... D23/252
- D495,401 S \* 8/2004 Smith ..... D23/252
- D505,995 S 6/2005 Kulig
- D512,487 S 12/2005 Kulig
- D512,488 S 12/2005 Kulig
- D514,201 S 1/2006 Kulig
- D514,203 S 1/2006 Kulig
- D517,647 S 3/2006 Kulig
- D517,648 S 3/2006 Kulig
- D524,417 S 7/2006 Kulig
- D527,443 S 8/2006 Kulig
- D538,896 S \* 3/2007 Yang ..... D23/252



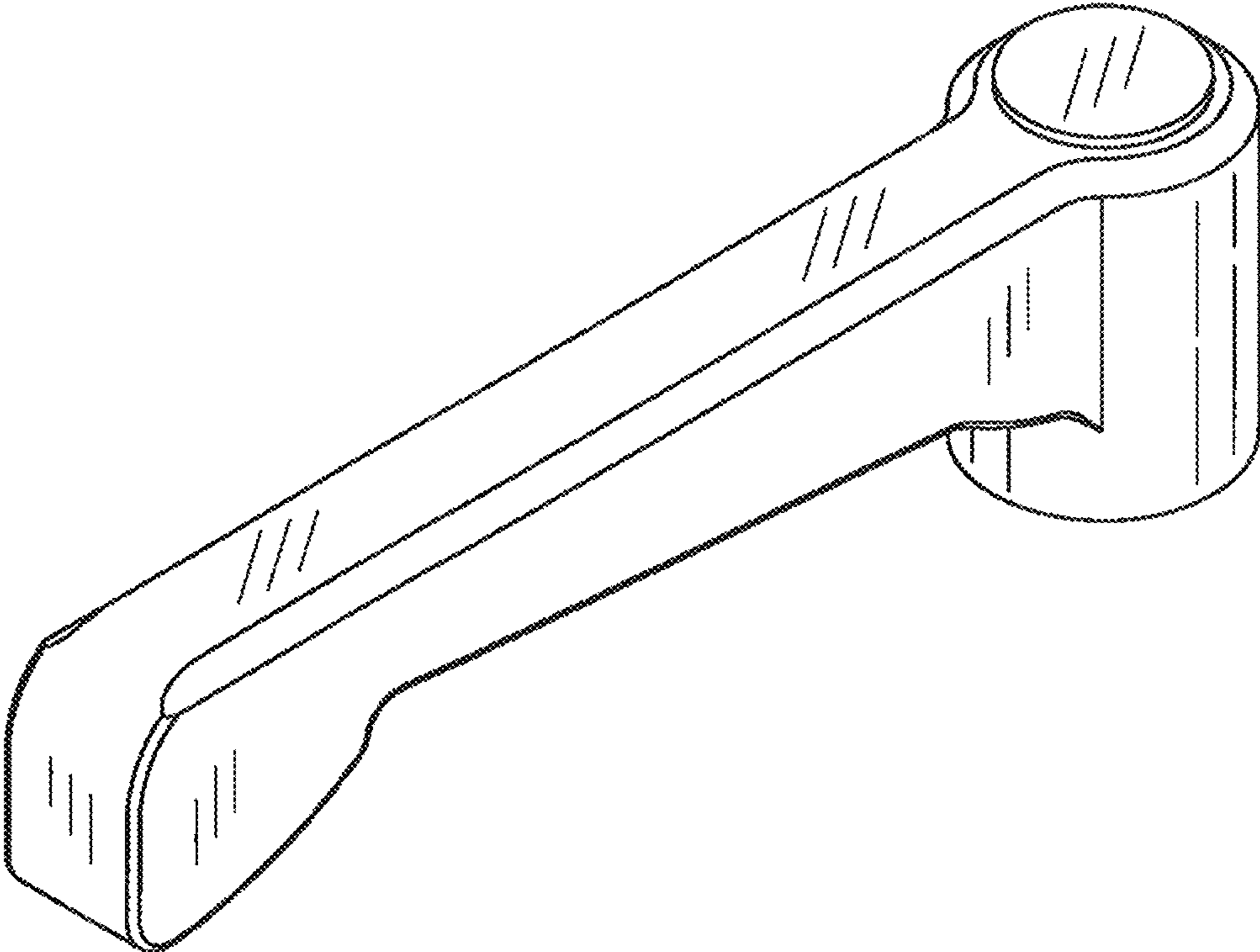


FIG. 1

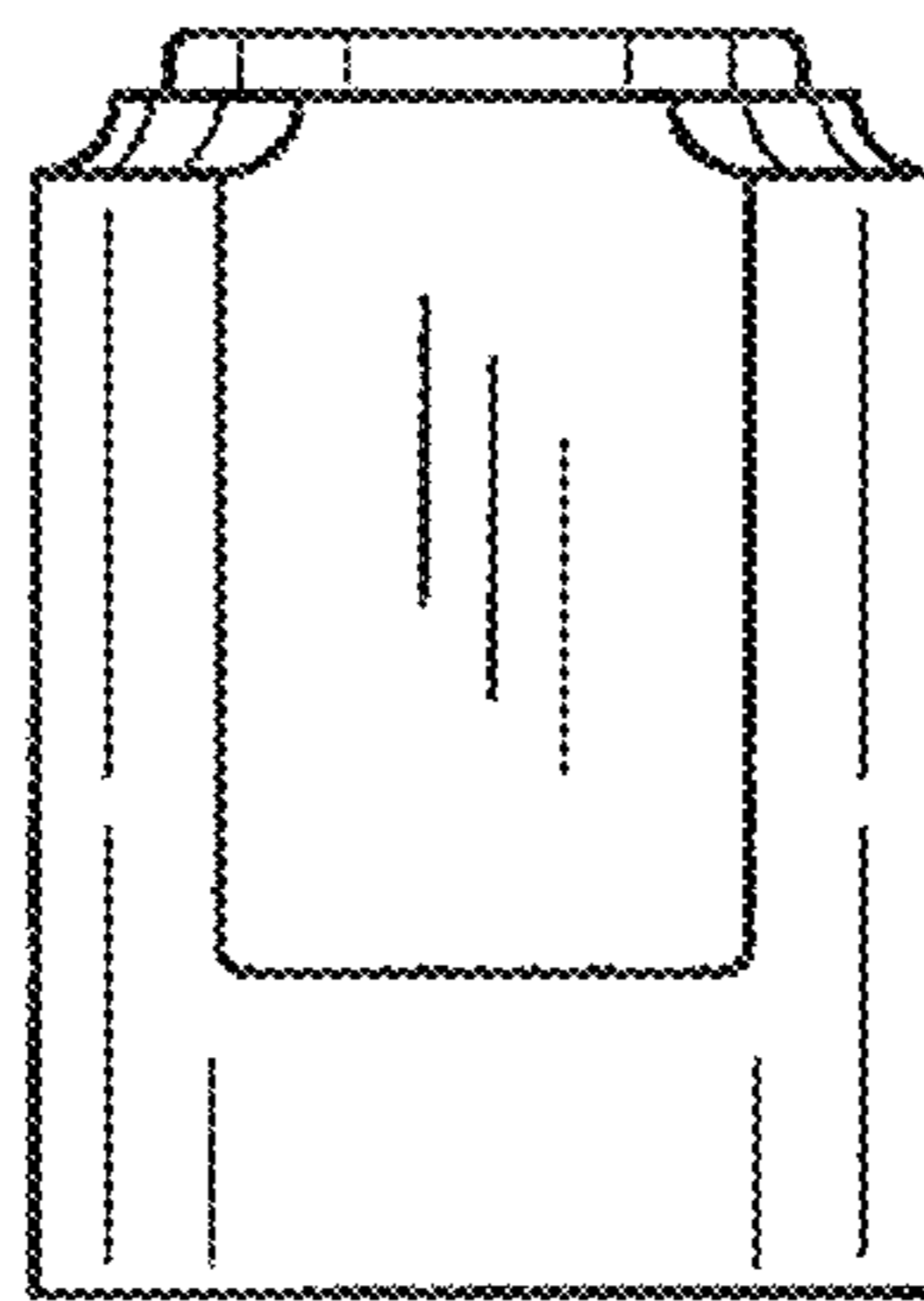


FIG. 2

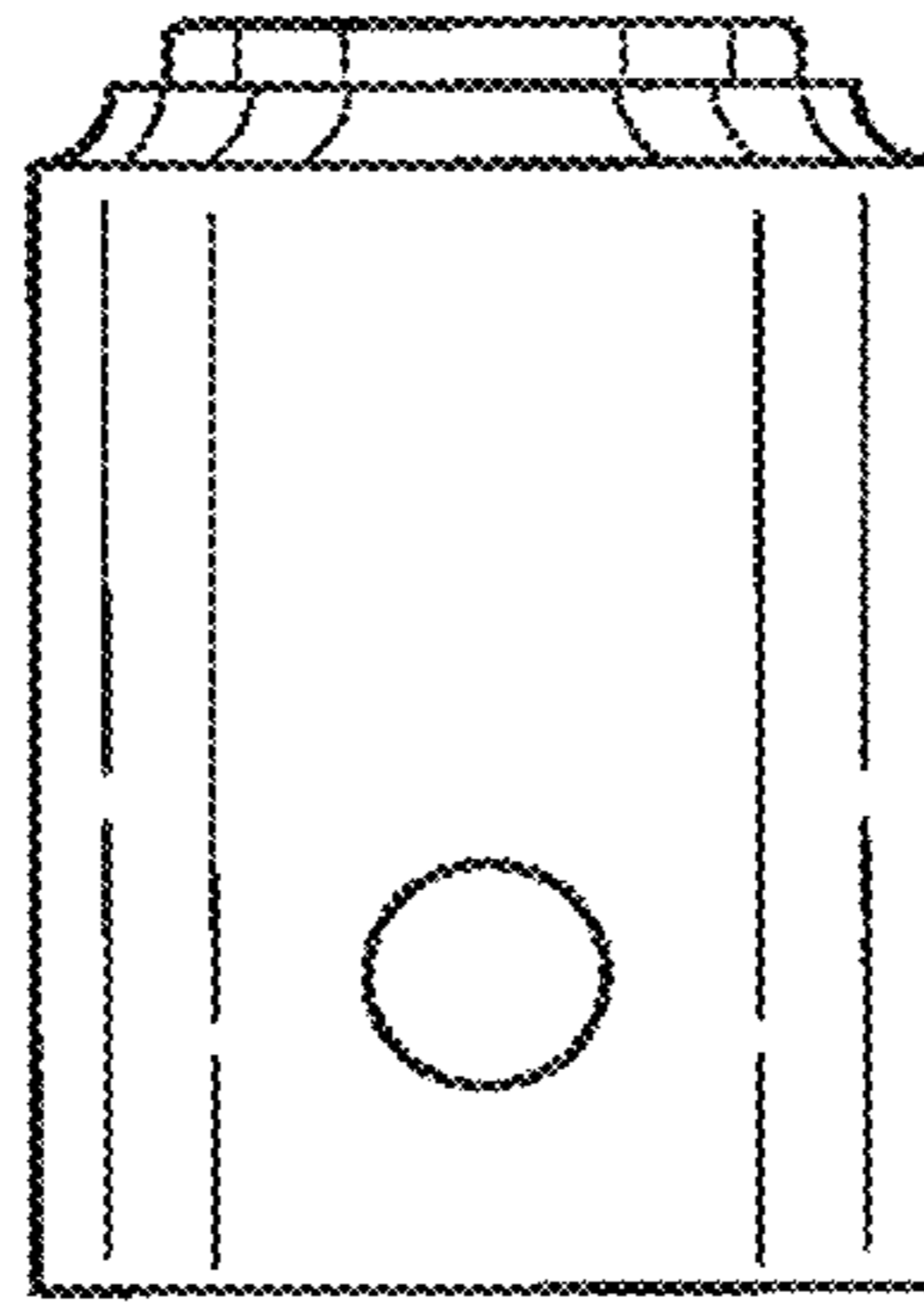


FIG. 3

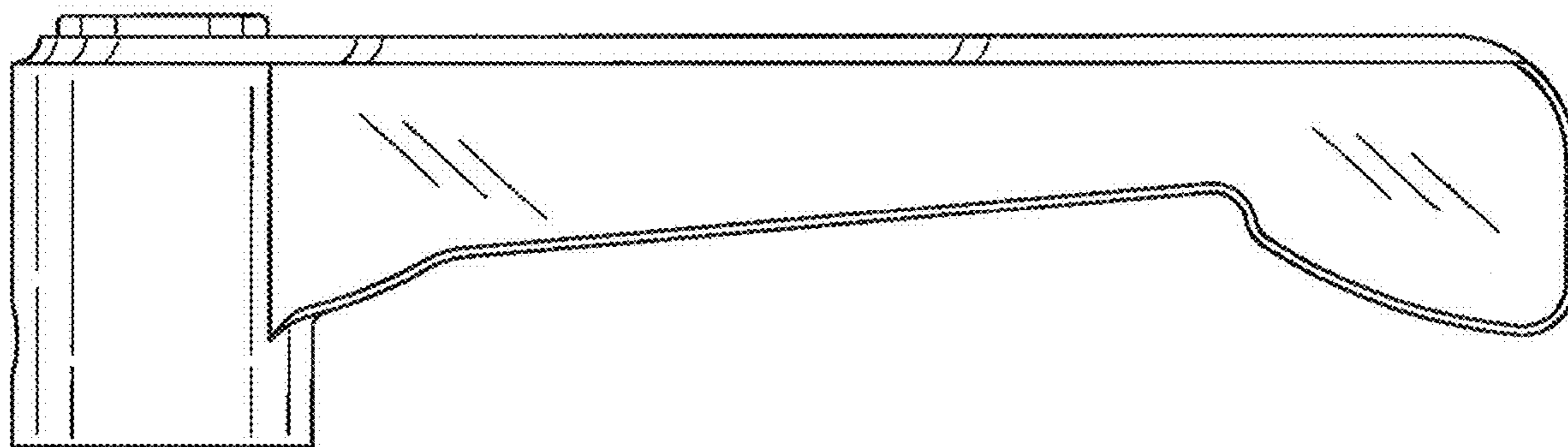


FIG. 4

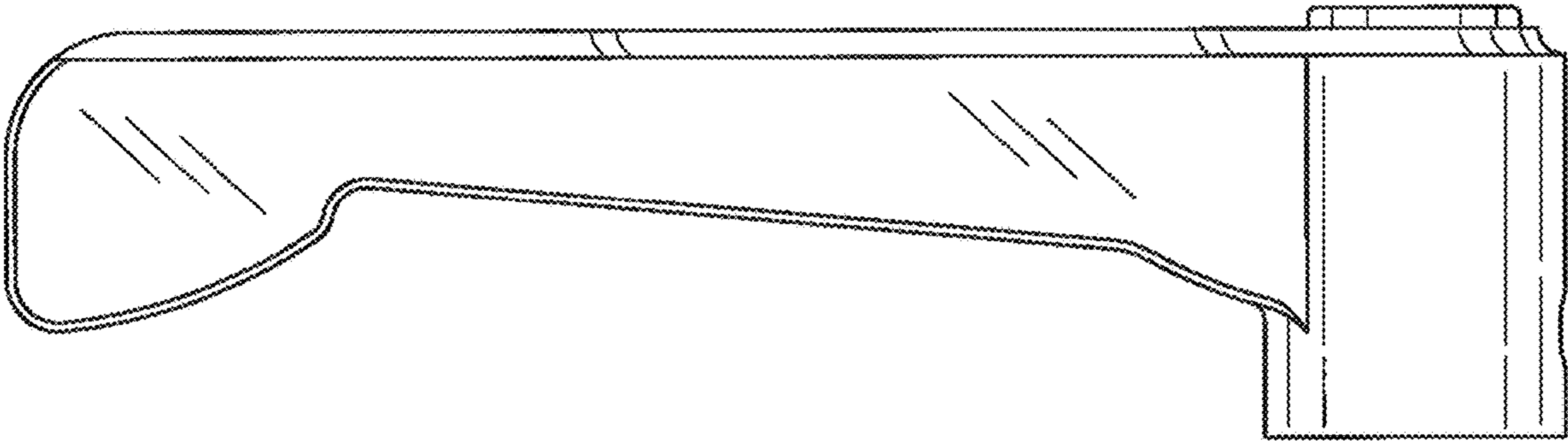


FIG. 5

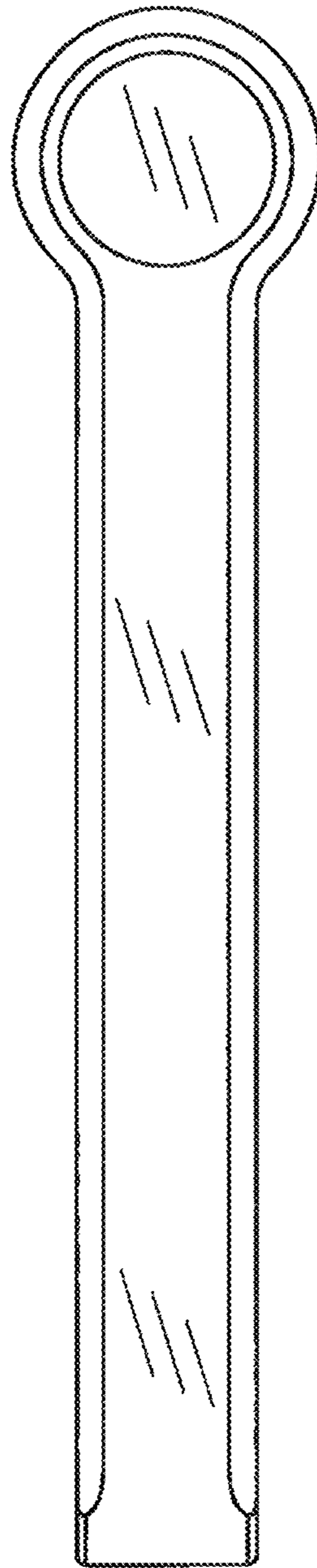


FIG. 6

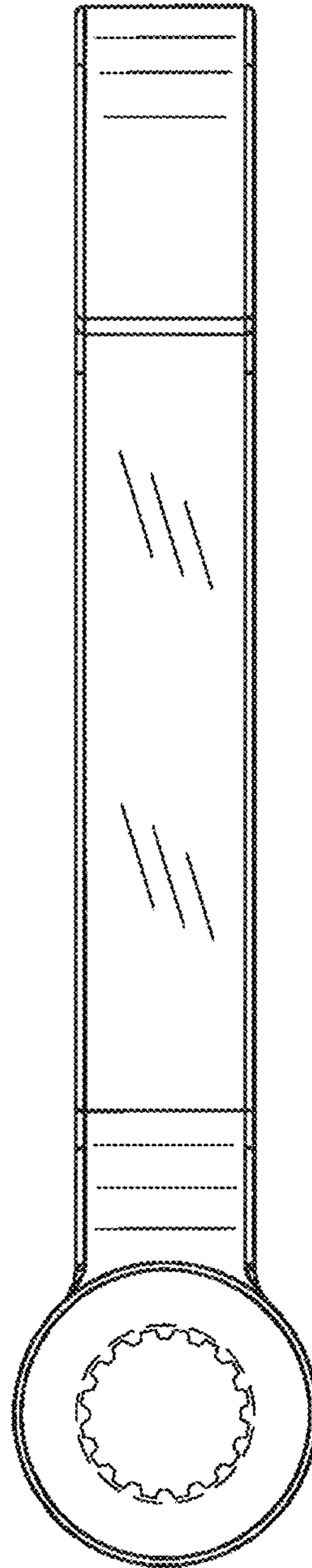


FIG. 7