



US00D910150S

(12) **United States Design Patent** (10) **Patent No.:** **US D910,150 S**  
**Sands, III et al.** (45) **Date of Patent:** **\*\* Feb. 9, 2021**

(54) **EMERGENCY SHUT OFF ACTUATOR FOR ANHYDROUS AMMONIA VALVES**

(71) Applicant: **Squibb Taylor, Inc.**, Dallas, TX (US)

(72) Inventors: **William Henry Sands, III**, Dallas, TX (US); **William Henry Sands, Jr.**, Dallas, TX (US); **Brently Craig Wilkerson**, Dallas, TX (US); **Patrick Lee Hodges**, Dallas, TX (US); **William Browning Washington, IV**, Dallas, TX (US); **Jack Jay Potts**, Dallas, TX (US)

(73) Assignee: **Squibb Taylor, Inc.**, Dallas, TX (US)

(\*\*) Term: **15 Years**

(21) Appl. No.: **29/676,144**

(22) Filed: **Jan. 9, 2019**

**Related U.S. Application Data**

(63) Continuation-in-part of application No. 16/243,076, filed on Jan. 8, 2019, now Pat. No. 10,774,944.

(51) **LOC (13) Cl.** ..... **23-01**

(52) **U.S. Cl.**  
USPC ..... **D23/245**

(58) **Field of Classification Search**  
USPC ..... D13/171, 158; D23/245  
See application file for complete search history.

(56) **References Cited**

**U.S. PATENT DOCUMENTS**

D256,607 S *	8/1980	Carlin .....	D23/245
D284,989 S *	8/1986	Fetty .....	D23/245
D297,971 S *	10/1988	Kiyota .....	D23/245
D380,526 S *	7/1997	Pullen .....	D23/245

D514,528 S *	2/2006	Beaton .....	D13/171
D559,790 S *	1/2008	Okuno .....	D13/158
D615,047 S *	5/2010	Zheng .....	D13/171
D745,640 S *	12/2015	Russell .....	D23/245
D822,173 S *	7/2018	Yung .....	D23/245
D836,754 S *	12/2018	Johanning .....	D23/245
D858,712 S *	9/2019	Le .....	D23/245
D886,954 S *	6/2020	Gabriel .....	D23/245
D887,813 S *	6/2020	Burns .....	D8/305

\* cited by examiner

*Primary Examiner* — George D. Kirschbaum  
(74) *Attorney, Agent, or Firm* — Ferguson Braswell  
Fraser Kubasta PC; Elizabeth Philip Dahm; Kelly J.  
Kubasta

(57) **CLAIM**

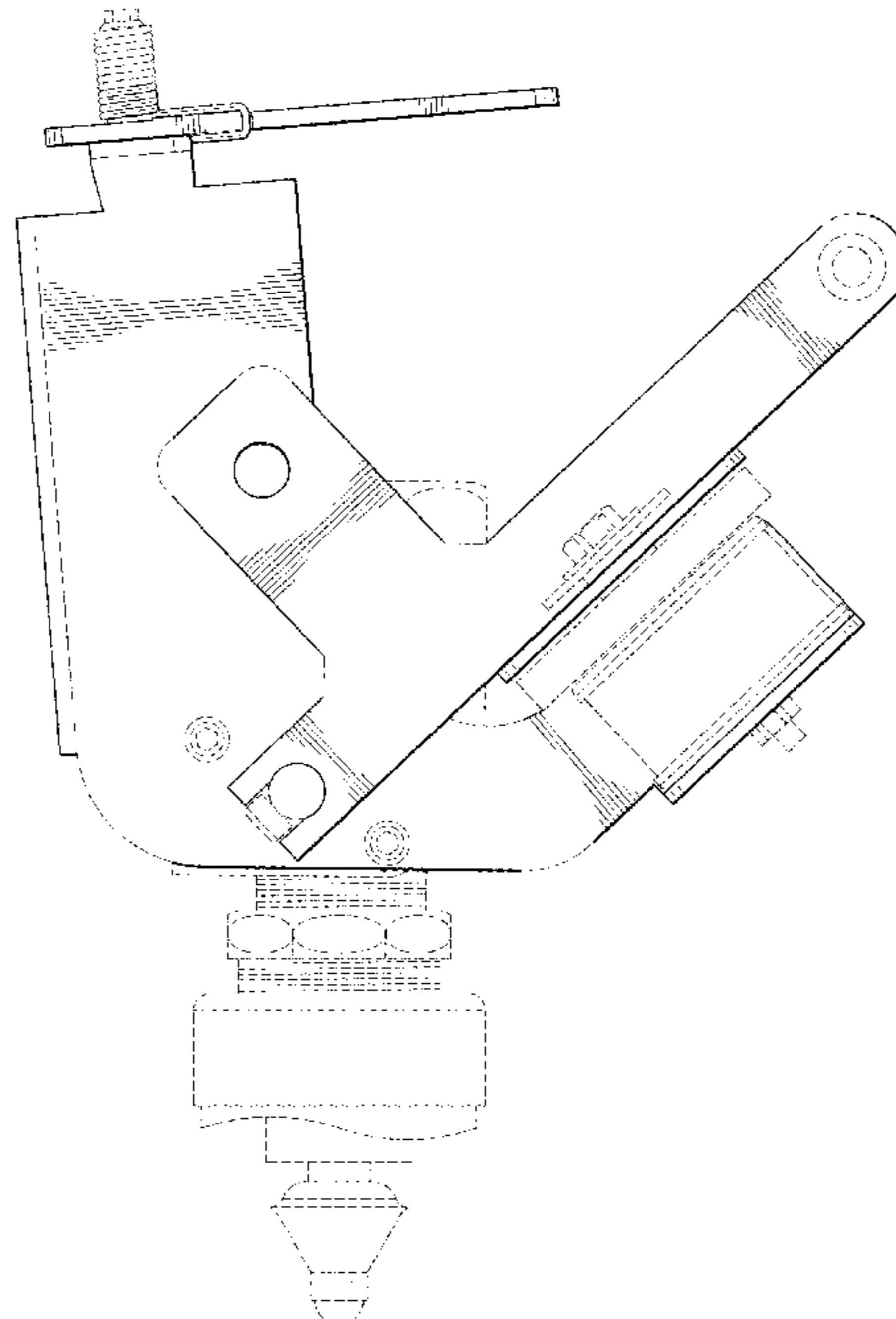
The ornamental design for an emergency shut-off actuator for an anhydrous ammonia valve, as shown and described.

**DESCRIPTION**

FIG. 1 is a front view of an emergency shut-off actuator for an anhydrous ammonia valve, showing our new design; FIG. 2 is a front view illustrated in FIG. 1, shown in an alternate position thereof; FIG. 3 is a back perspective view thereof; FIG. 4 is a top perspective view illustrated in FIG. 1 thereof; FIG. 5 is a bottom perspective view thereof; FIG. 6 is a bottom perspective view thereof; FIG. 7 is a top perspective view thereof; FIG. 8 is a front view thereof; and, FIG. 9 is a back view thereof.

The broken line showing of the actuator, valve, and first and second locking mechanism is included for the purpose of illustrating portions of the “article” and forms no part of the claimed design.

**1 Claim, 8 Drawing Sheets**



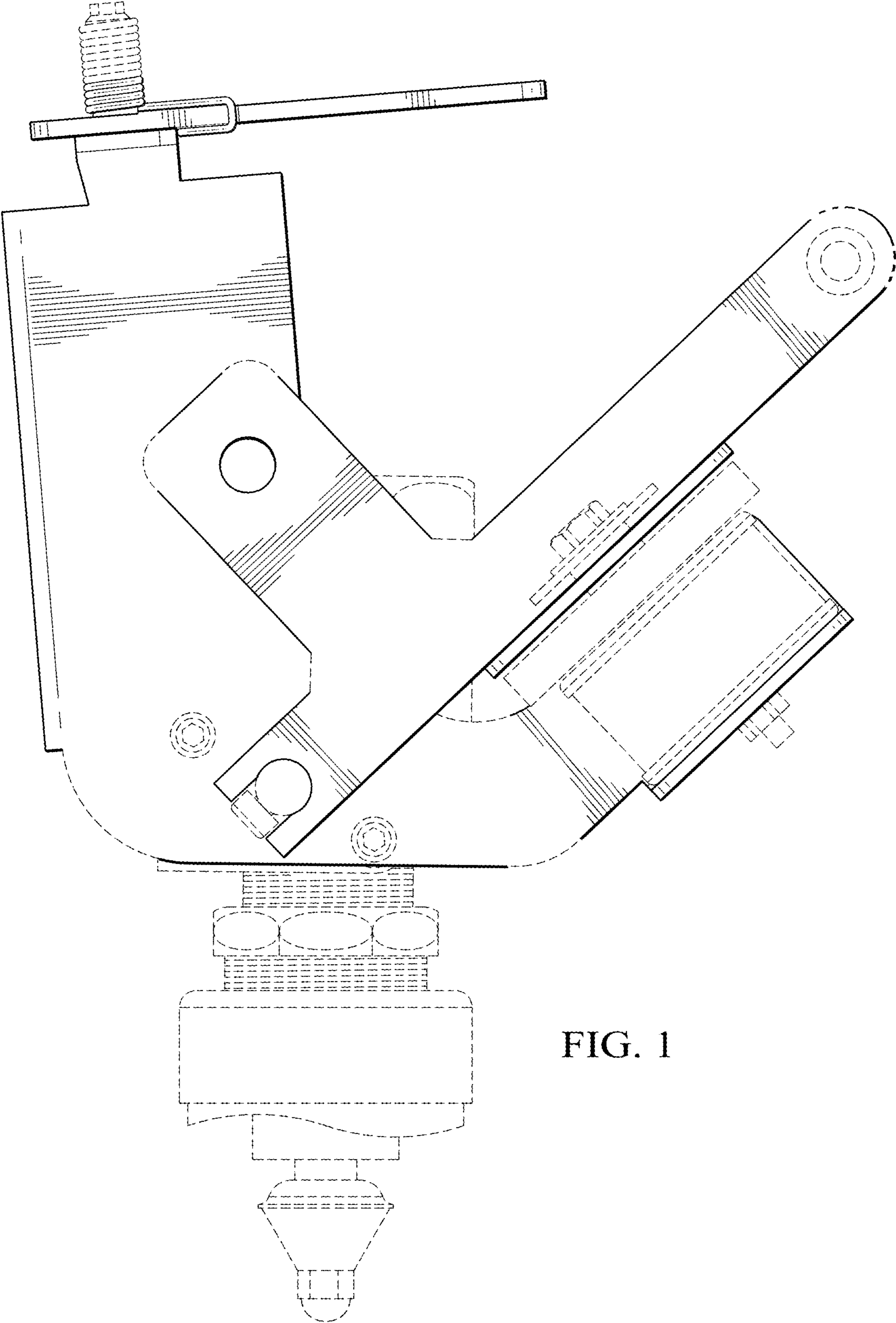


FIG. 1

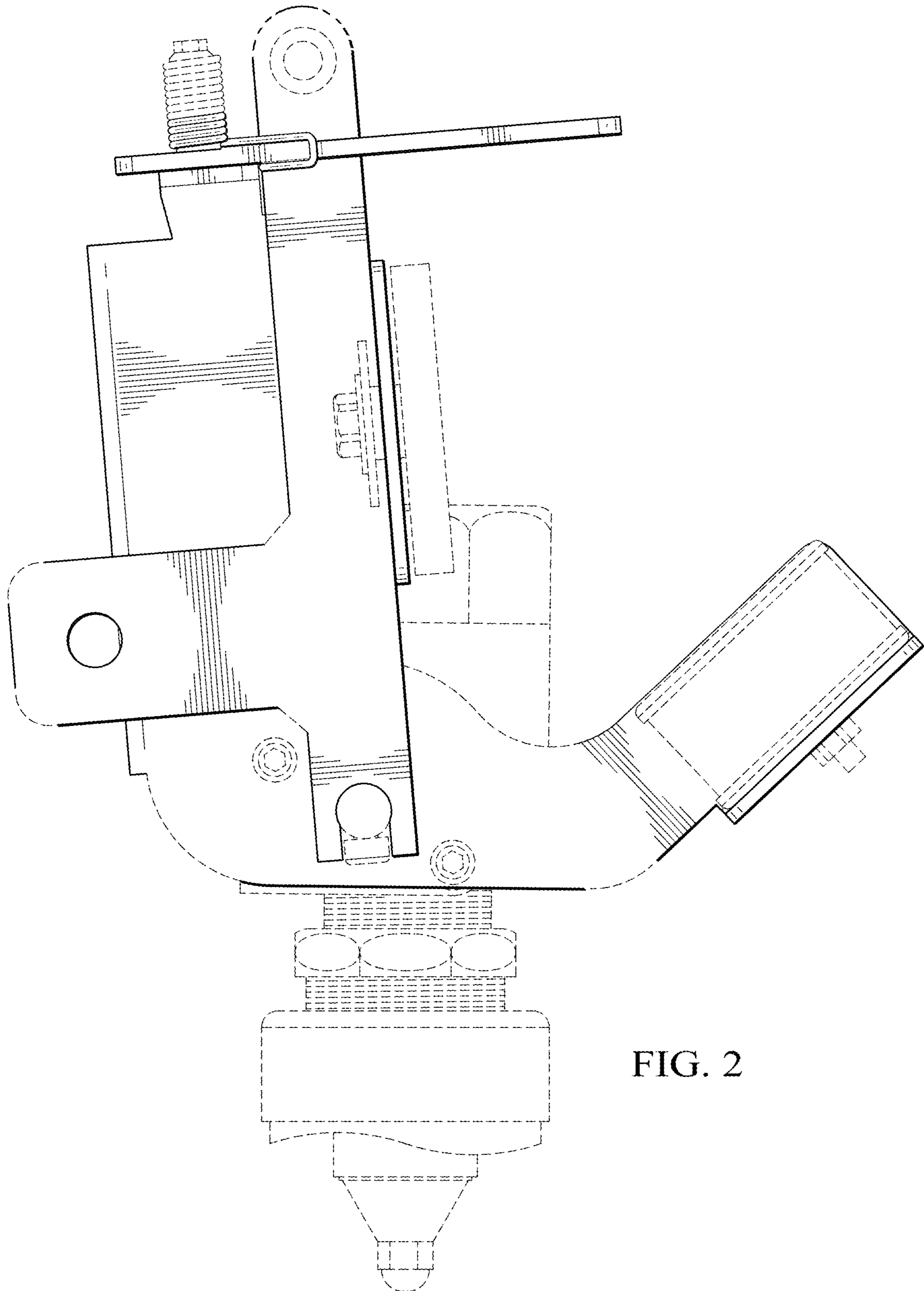


FIG. 2

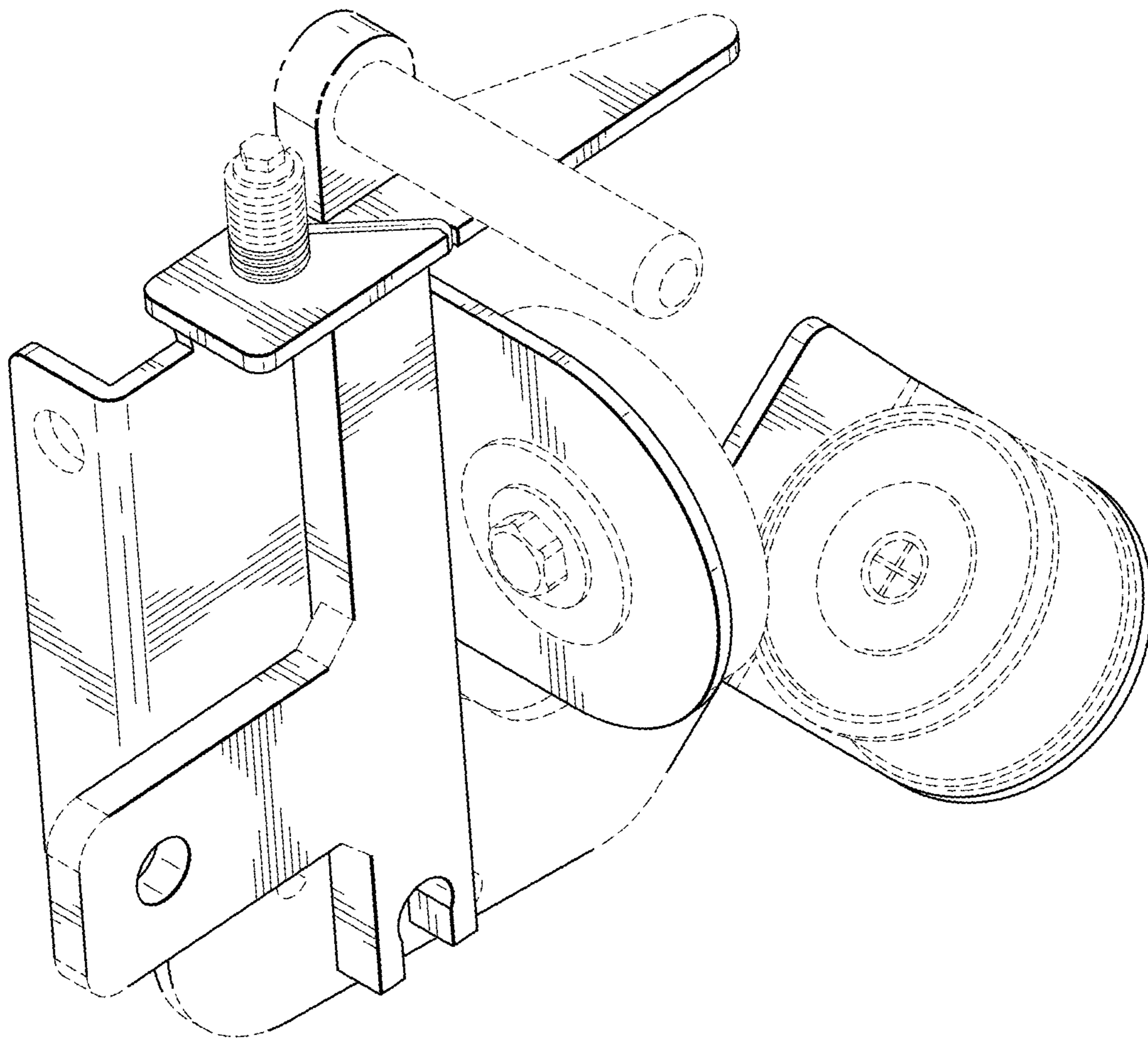


FIG. 3

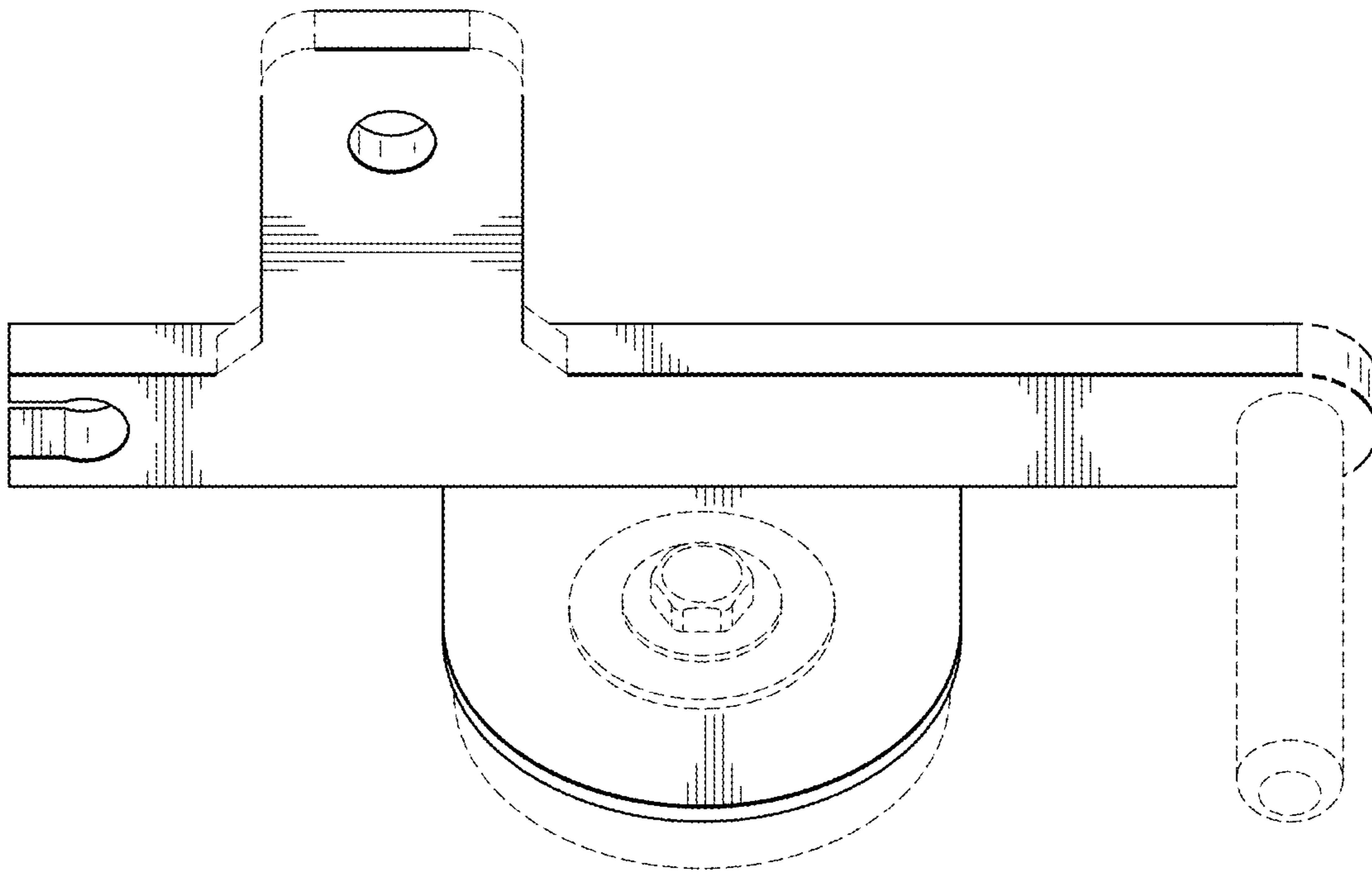


FIG. 4.

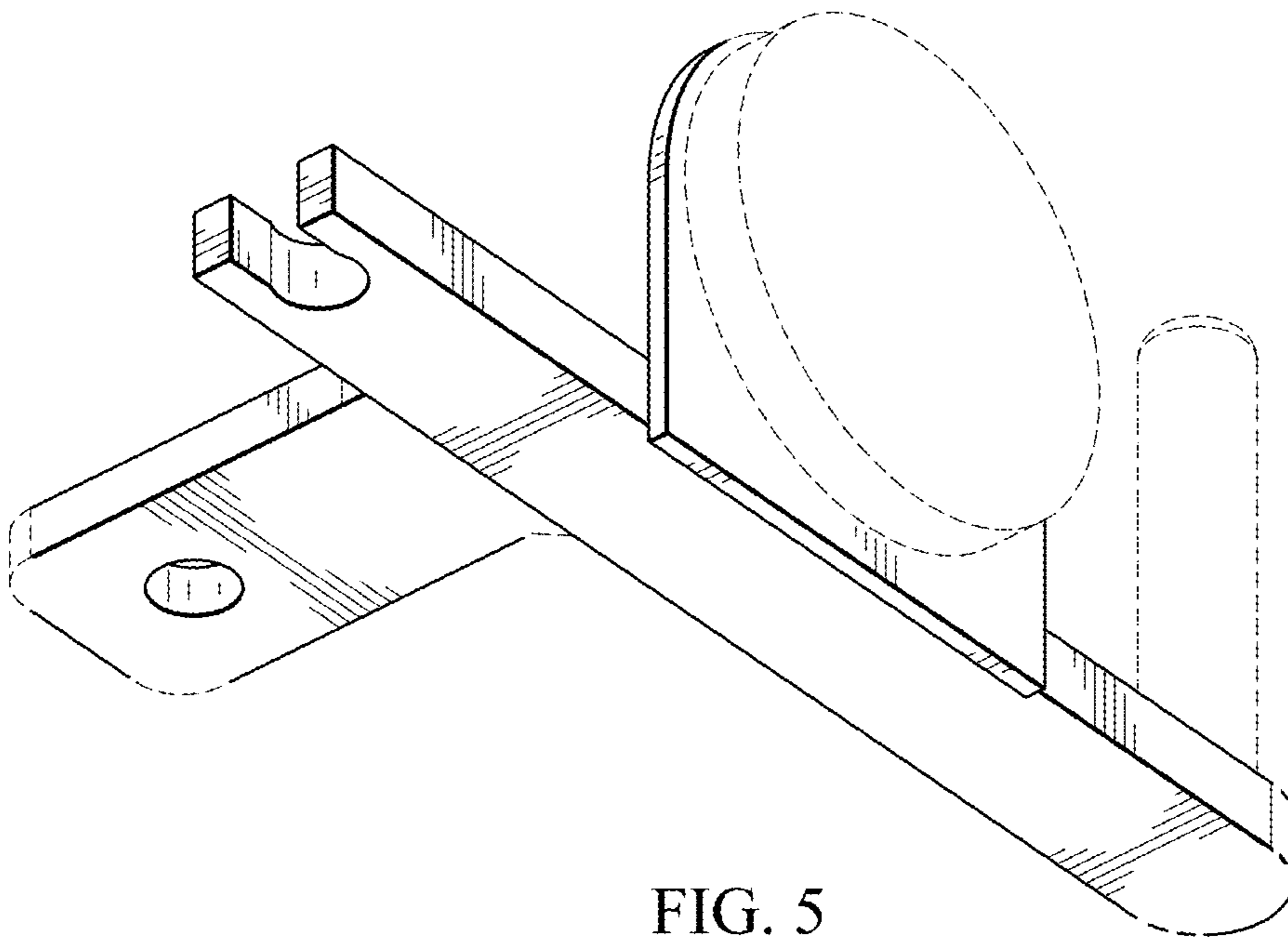


FIG. 5

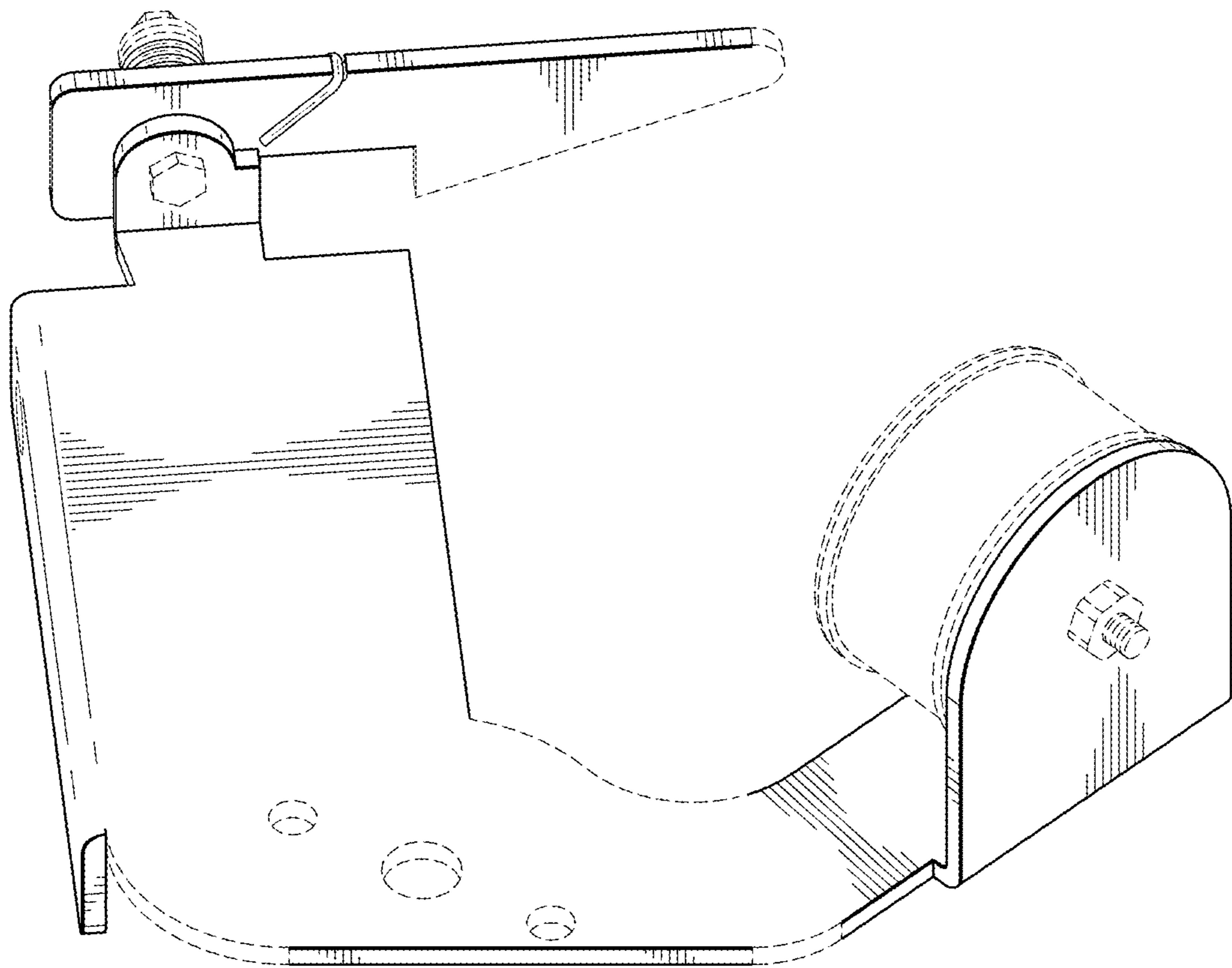


FIG. 6

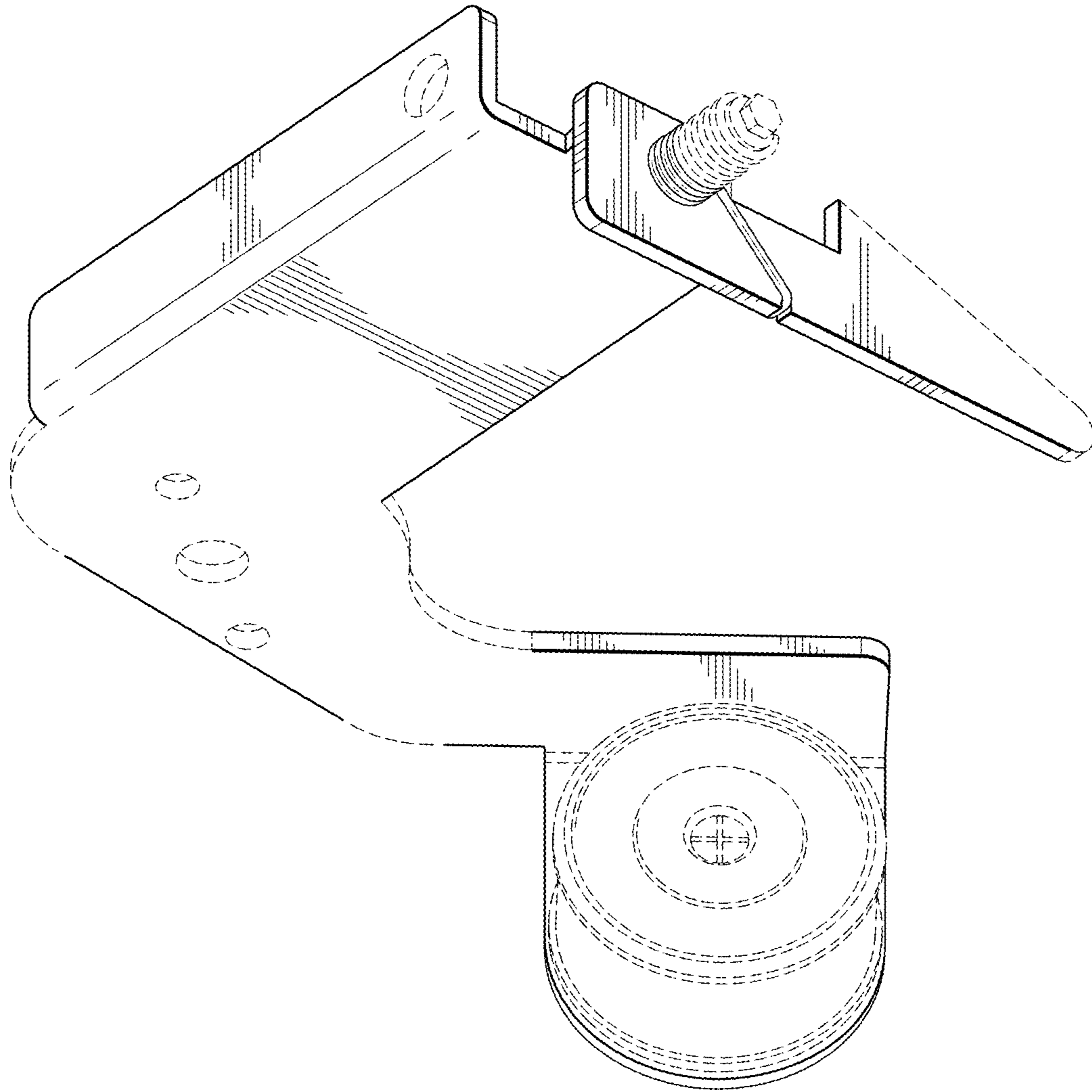


FIG. 7

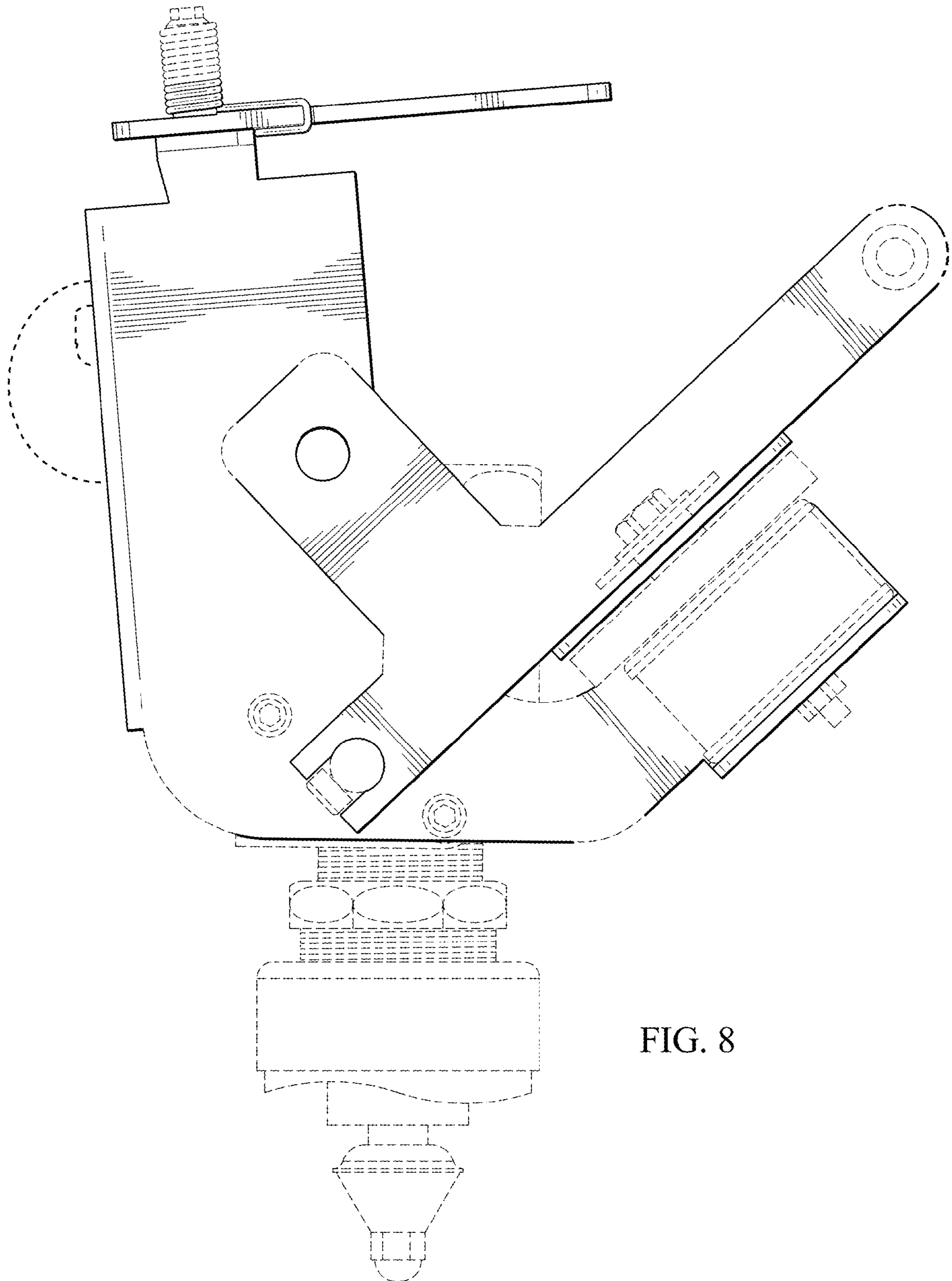


FIG. 8



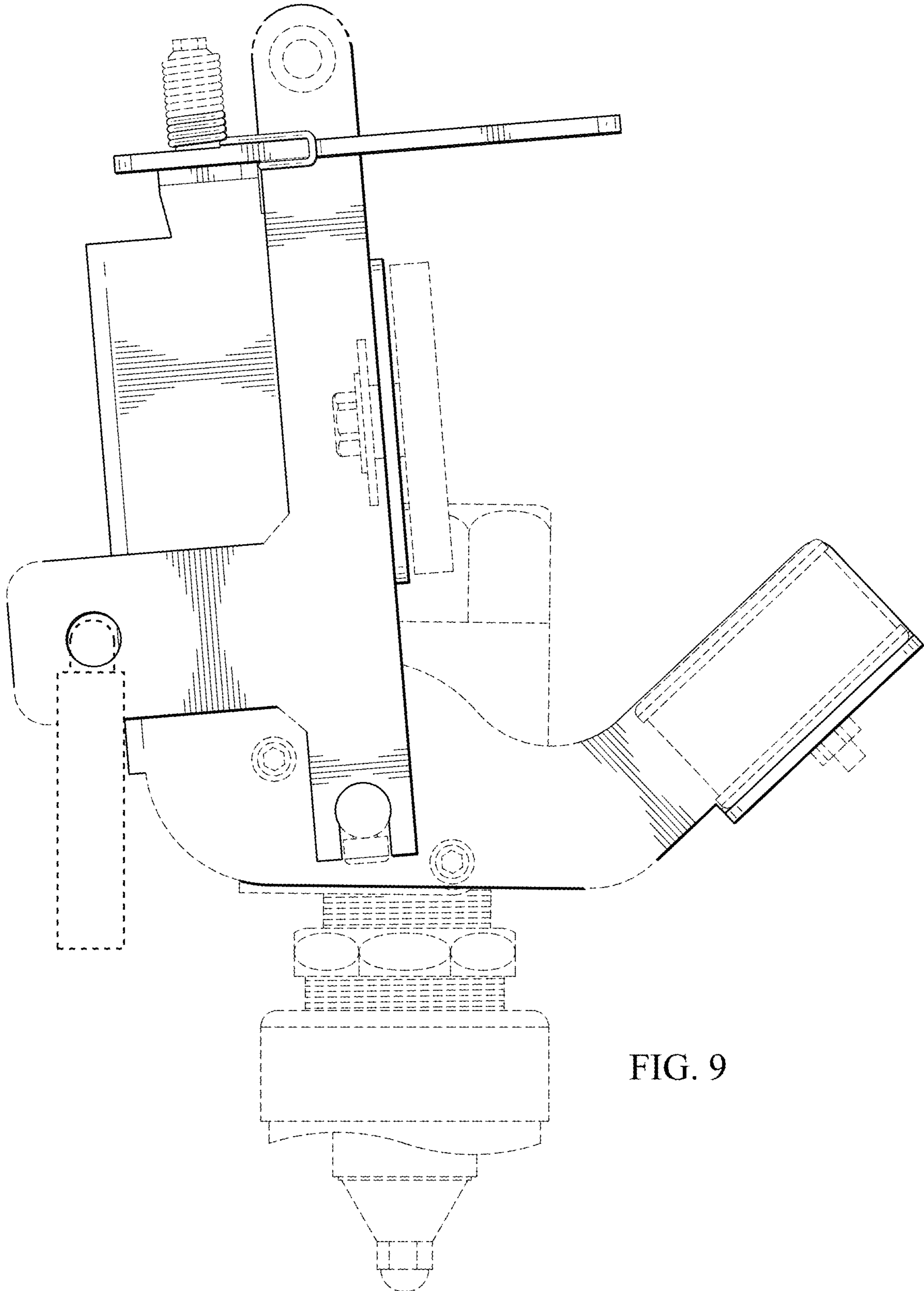


FIG. 9