



US00D910149S

(12) **United States Design Patent**
Moy et al.

(10) **Patent No.:** **US D910,149 S**
(45) **Date of Patent:** **** Feb. 9, 2021**

(54) **WATER HEATER CONTROLLER**
(71) Applicant: **Ademco Inc.**, Golden Valley, MN (US)
(72) Inventors: **Brian Moy**, Arden Hills, MN (US);
Ravindra Khosla, Maple Grove, MN (US); **Rajat Shail**, Stevensville, MI (US)

7,432,477 B2 10/2008 Teti
D606,628 S * 12/2009 Jeong D23/233
D623,274 S * 9/2010 Cavagna D23/233
D634,813 S * 3/2011 Hernandez, IV D23/233
D675,714 S * 2/2013 Nguyen F23N 5/107
D23/233
D686,297 S * 7/2013 Laugen D23/233
8,544,423 B2 * 10/2013 Vogel F23M 11/02
122/14.2

(73) Assignee: **Ademco Inc.**, Golden Valley, MN (US)

(Continued)

(**) Term: **15 Years**

OTHER PUBLICATIONS

(21) Appl. No.: **29/744,361**

“Direct Air Convection Built-In Electric Wall Oven,” GE Appliances, 20 pages, downloaded May 23, 2017.

(22) Filed: **Jul. 28, 2020**

(Continued)

Related U.S. Application Data

(62) Division of application No. 29/706,887, filed on Sep. 24, 2019, now Pat. No. Des. 893,677, which is a division of application No. 29/639,060, filed on Mar. 2, 2018, now Pat. No. Des. 866,712.

Primary Examiner — Selina Sikder

(74) *Attorney, Agent, or Firm* — Shumaker & Sieffert, P.A.

(51) **LOC (13) Cl.** **23-01**

(52) **U.S. Cl.**
USPC **D23/233**

(57) **CLAIM**

The ornamental design for a water heater controller, as shown and described.

(58) **Field of Classification Search**
USPC D13/162, 169, 174; D10/49, 50;
D23/233, 235, 249, 318, 319, 320, 321,
D23/322, 386
CPC F23N 5/00; F23N 2900/00; F23N
2900/05005; F24D 19/1066; F24H
9/2007; F24H 9/2035; F24H 1/18; G05D
23/1904; H05B 1/00; H05B 1/02; H05B
1/0202; H05B 1/0283; F16K 31/44; F16K
31/60

DESCRIPTION

FIG. 1 is a perspective view of a water heater controller; FIG. 2 is a front elevation view of the water heater controller of FIG. 1; FIG. 3 is a right side view of the water heater controller of FIG. 1; FIG. 4 is a left side view of the water heater controller of FIG. 1; FIG. 5 is a top side view of the water heater controller of FIG. 1; and, FIG. 6 is a bottom side view of the water heater controller of FIG. 1.

See application file for complete search history.

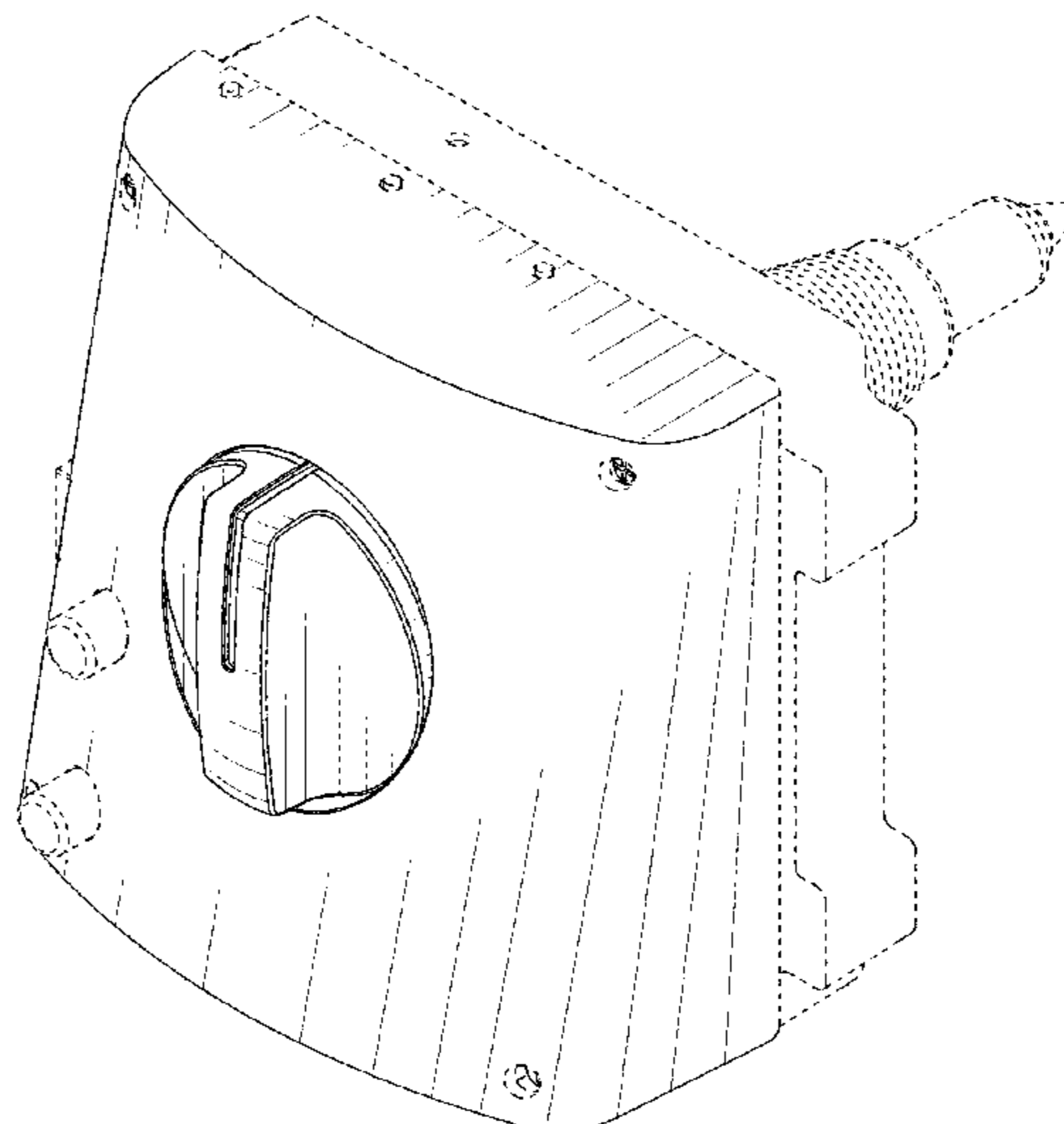
The portions illustrated in broken lines on the figures depict unclaimed environmental subject matter and form no part of the claimed design.

(56) **References Cited**

U.S. PATENT DOCUMENTS

RE37,745 E * 6/2002 Brandt F24H 1/205
122/14.2
6,767,104 B2 * 7/2004 Worrell H01H 19/025
362/23.19

1 Claim, 6 Drawing Sheets



(56)

References Cited

U.S. PATENT DOCUMENTS

8,550,369 B2 10/2013 Subramanian
 D697,585 S * 1/2014 Liu D23/233
 D698,009 S * 1/2014 Smith D23/233
 8,887,655 B2 * 11/2014 Carlson F16K 37/0008
 116/277
 D755,927 S * 5/2016 Holmberg D23/233
 D866,712 S * 11/2019 Moy D23/233
 D893,677 S * 8/2020 Moy D23/233
 2004/0045608 A1 * 3/2004 Peters F16K 31/60
 137/552.7
 2004/0050344 A1 * 3/2004 Toniolo F24H 9/2035
 122/504
 2004/0099833 A1 * 5/2004 Haikawa F16K 31/041
 251/292
 2010/0252122 A1 * 10/2010 Nguyen F24H 9/2035
 137/75
 2010/0294632 A1 * 11/2010 Reddering H01H 3/20
 200/11 R
 2012/0325338 A1 * 12/2012 Pettinaroli F24D 19/1015
 137/505
 2013/0175464 A1 * 7/2013 Smith F16K 31/60
 251/213
 2013/0187073 A1 * 7/2013 Carlson F16K 31/60
 251/304
 2013/0200168 A1 * 8/2013 Buescher H05B 1/0283
 237/8 A
 2013/0228038 A1 * 9/2013 Klimecki G05G 1/105
 74/553
 2013/0276722 A1 10/2013 Bronson et al.
 2015/0020899 A1 * 1/2015 Eyring F17O 13/04
 137/544
 2015/0027544 A1 * 1/2015 Shemer F16K 5/06
 137/1

2015/0122200 A1 * 5/2015 Orłowski F23M 11/042
 122/19.2
 2016/0161019 A1 * 6/2016 Chen F16K 31/60
 137/555
 2017/0336824 A1 * 11/2017 Lawson G05G 5/06
 2018/0180186 A1 * 6/2018 Kim F16K 3/312
 2018/0259982 A1 * 9/2018 Halimi G05D 16/20

OTHER PUBLICATIONS

“Intelli-Vent Control Information; When Used On Gas, Residential, Power Vented Water Heaters,” 48 pages, 2005. (Applicant points out, in accordance with MPEP 609.04(a), that the year of publication, 2005, is sufficiently earlier than the effective U.S. filing date, so that the particular month of publication is not in issue.)
 “Water Heater Control; Google Search,” 22 pages, May 23, 2017.
 “WT8840 Trade Water Heater Controls,” Honeywell, 8 pages, 2016. (Applicant points out, in accordance with MPEP 609.04(a), that the year of publication, 2016, is sufficiently earlier than the effective U.S. filing date, so that the particular month of publication is not in issue.)
 “WT8840 Water Heater Control,” Honeywell, 2 pages, Jul. 2016. Honeywell Aquastat Controller; printed on Jun. 3, 2019; 1 pg.; https://www.google.com/search?q=honeywell+hot+water+heater+controller&hl=en&biw=1536&bih=813&source=Int&tbs=cdr%3A1%2Ccd_min%3A%2Ccd_max%3A3%2F2%2F2018&tbrn=isch#irngcr=6WoCiqNeowPqvM:&spf=1559569357574.
 Prosecution History from U.S. Appl. No. 29/639,060, dated Jun. 19, 2019 through Sep. 18, 2019, 16 pp.
 Prosecution History from U.S. Appl. No. 29/706,887, dated Dec. 27, 2019 through May 5, 2020, 40 pp.

* cited by examiner

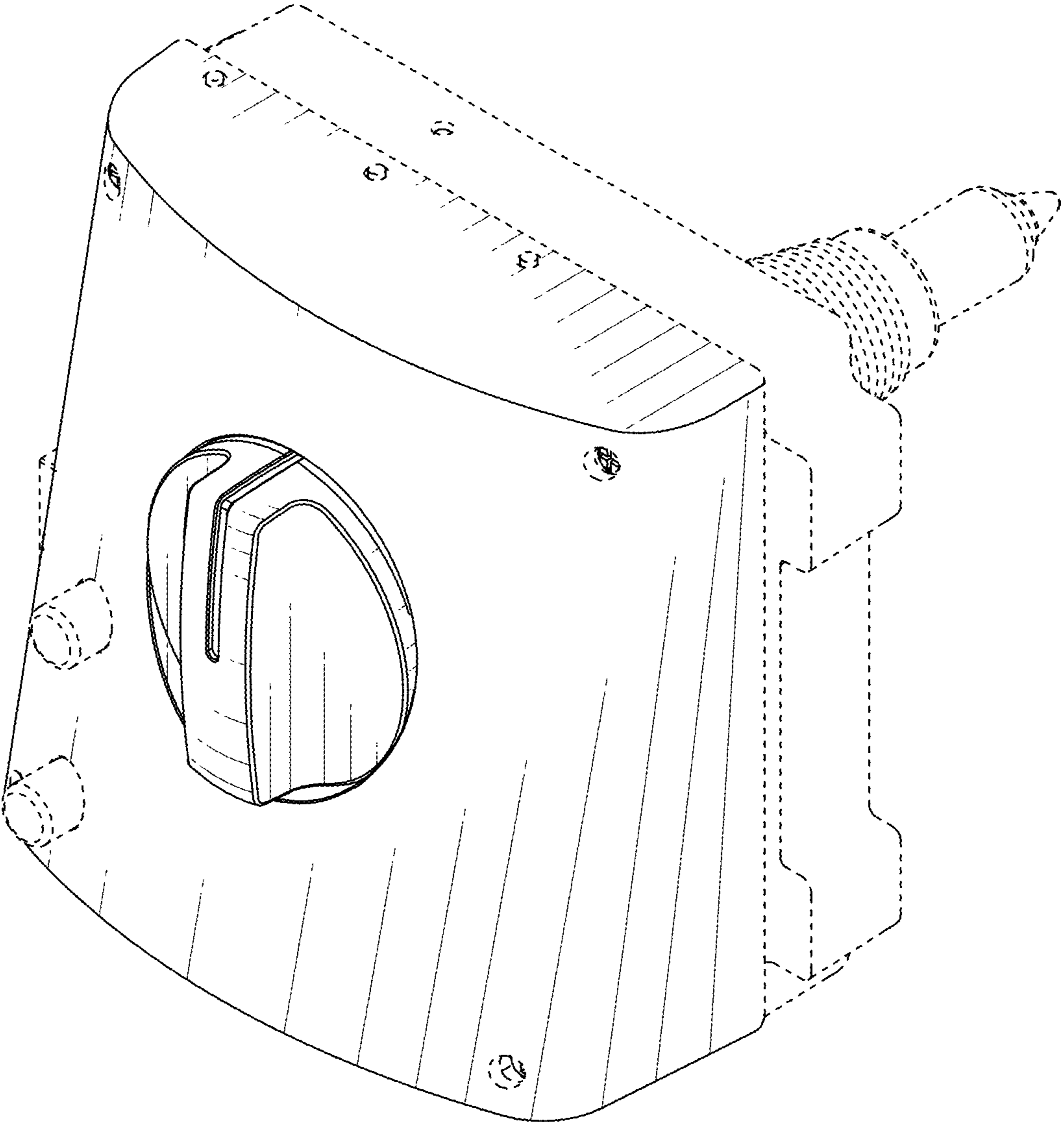


FIG. 1

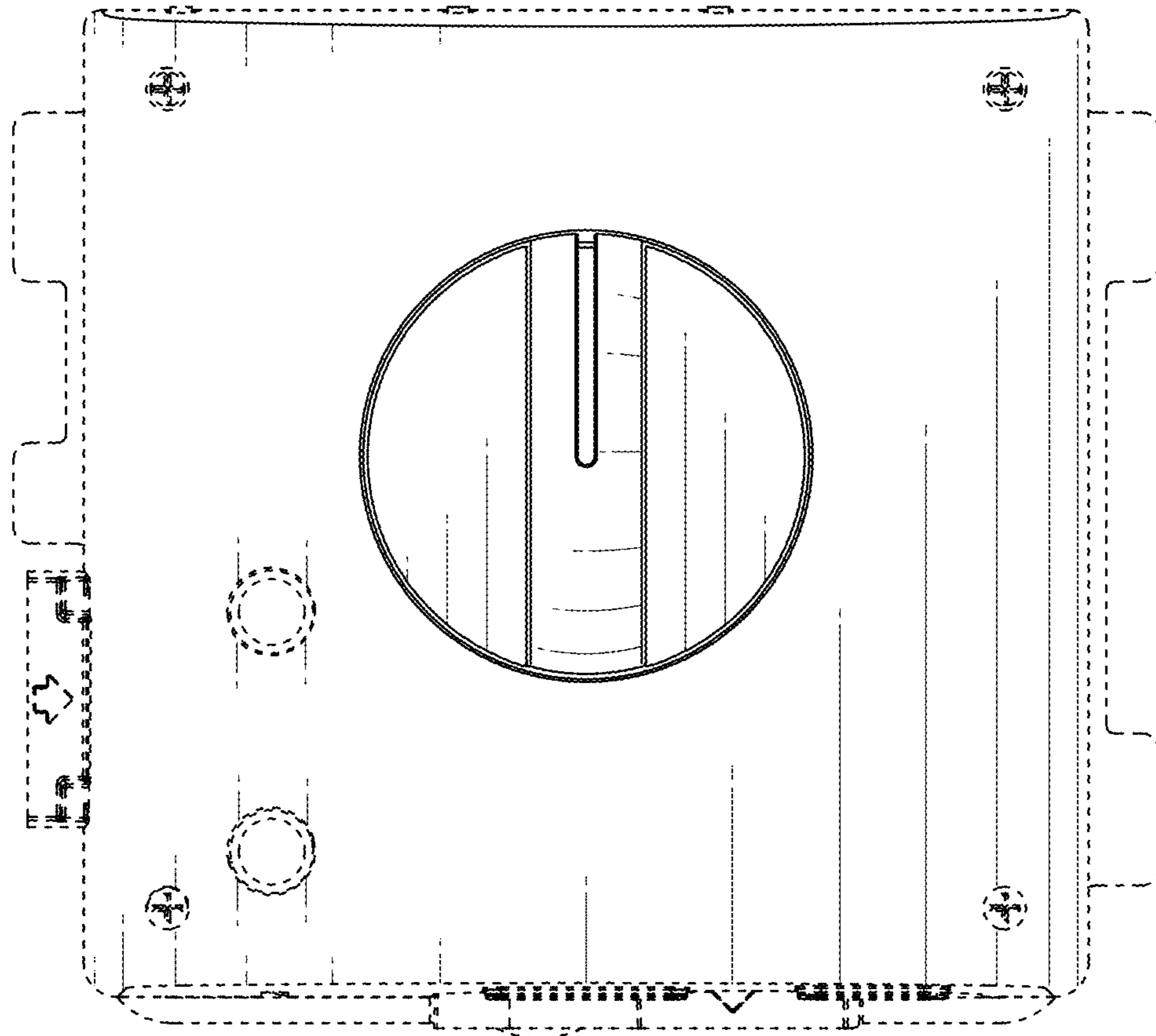


FIG. 2

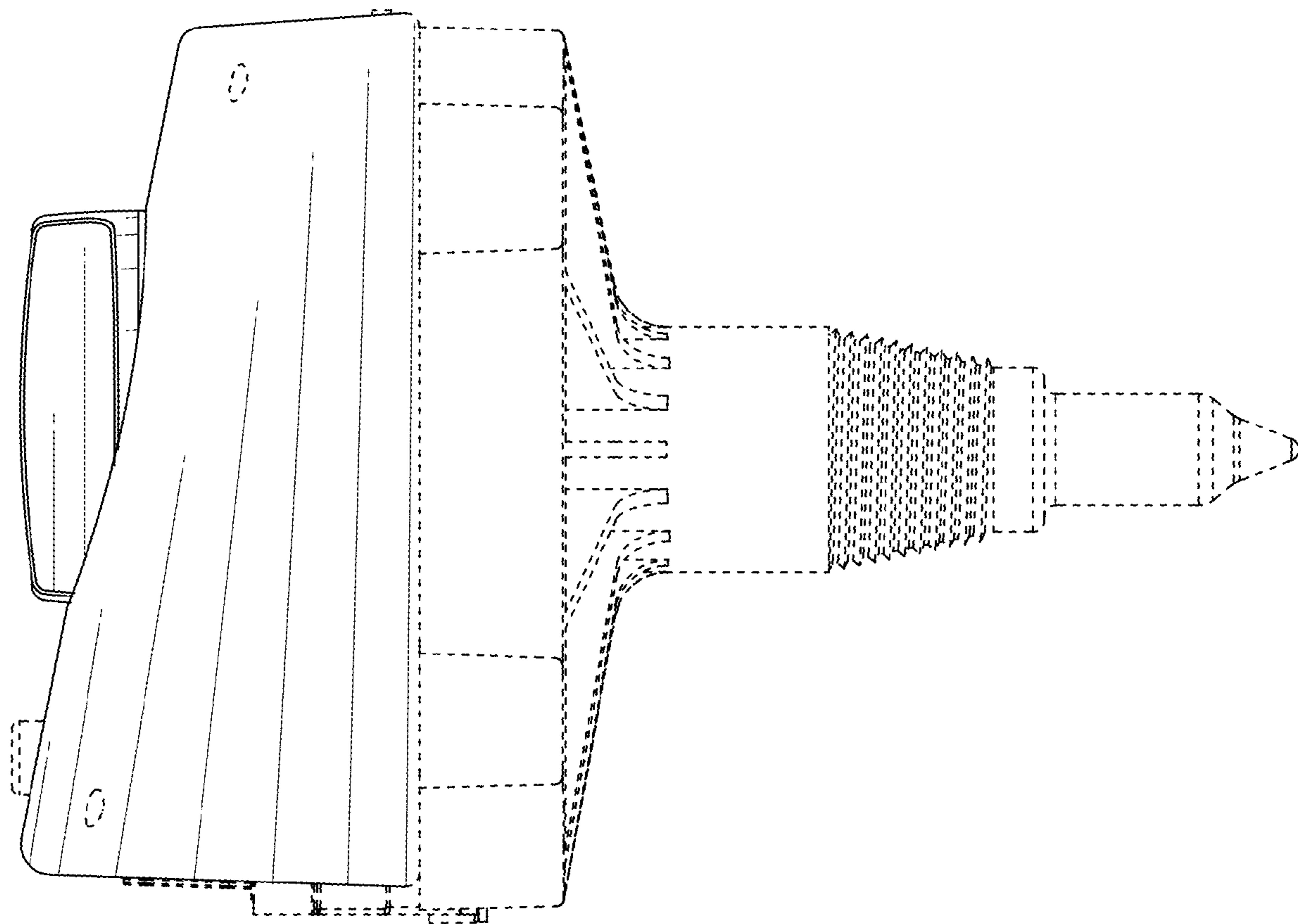


FIG. 3

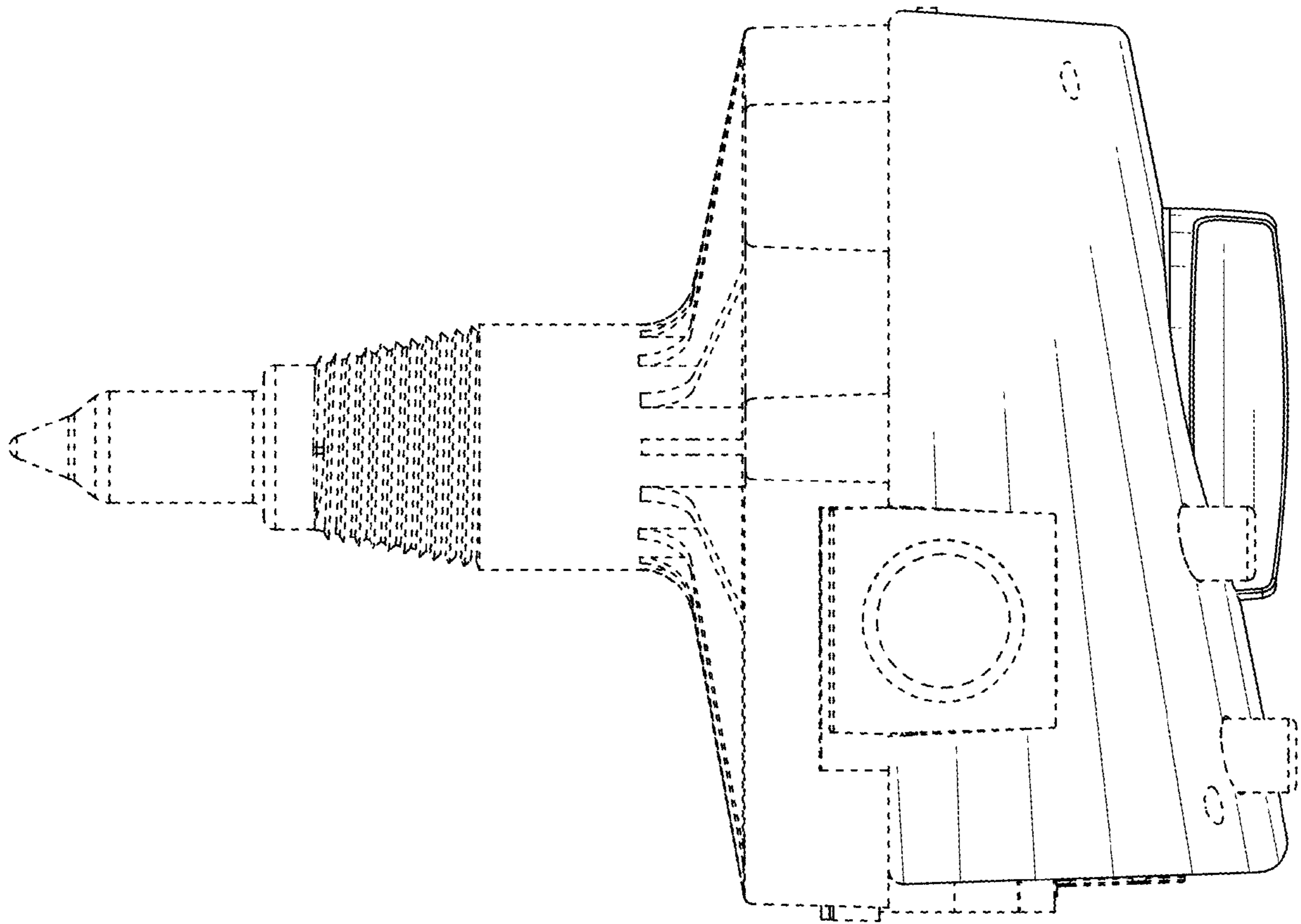


FIG. 4

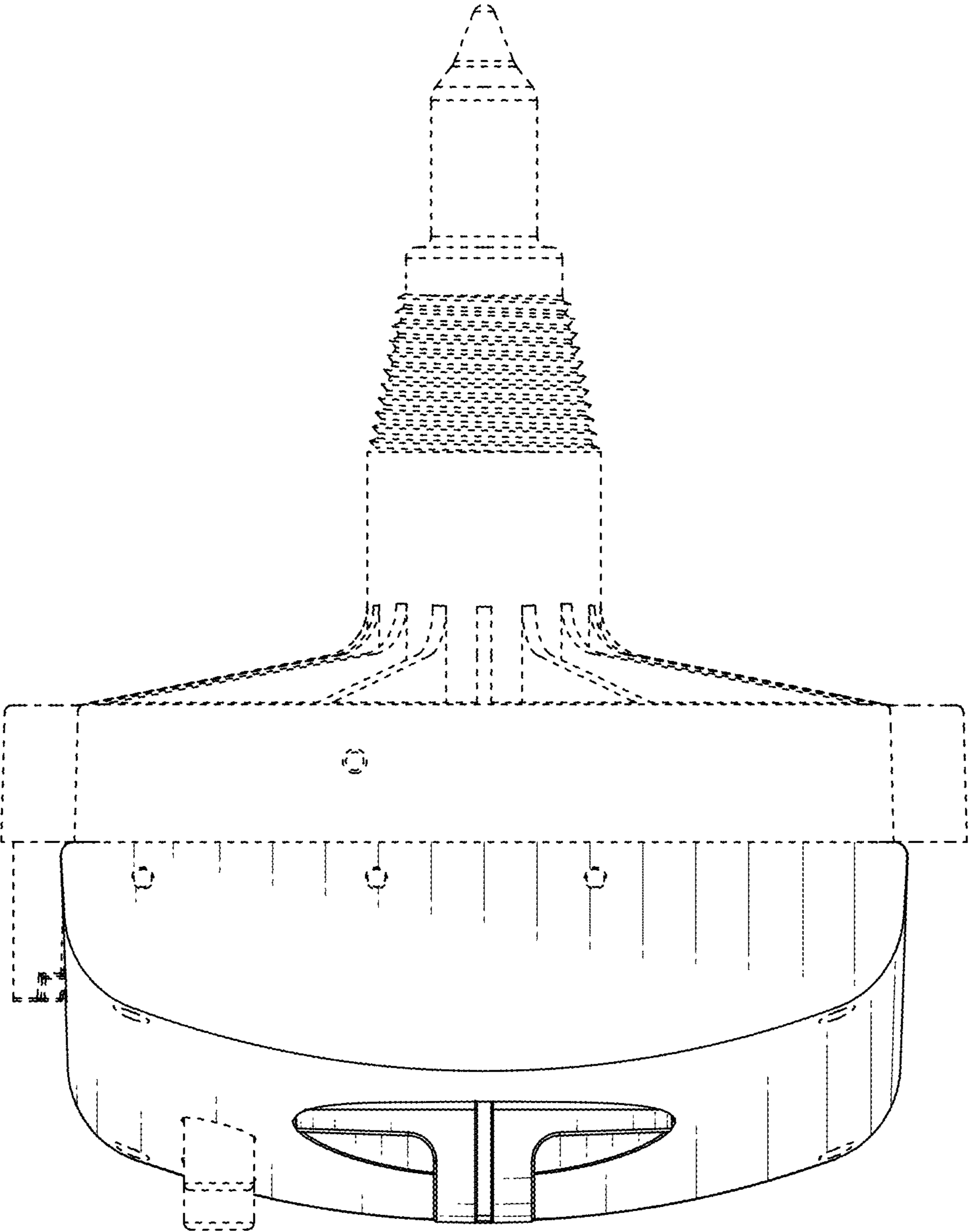


FIG. 5

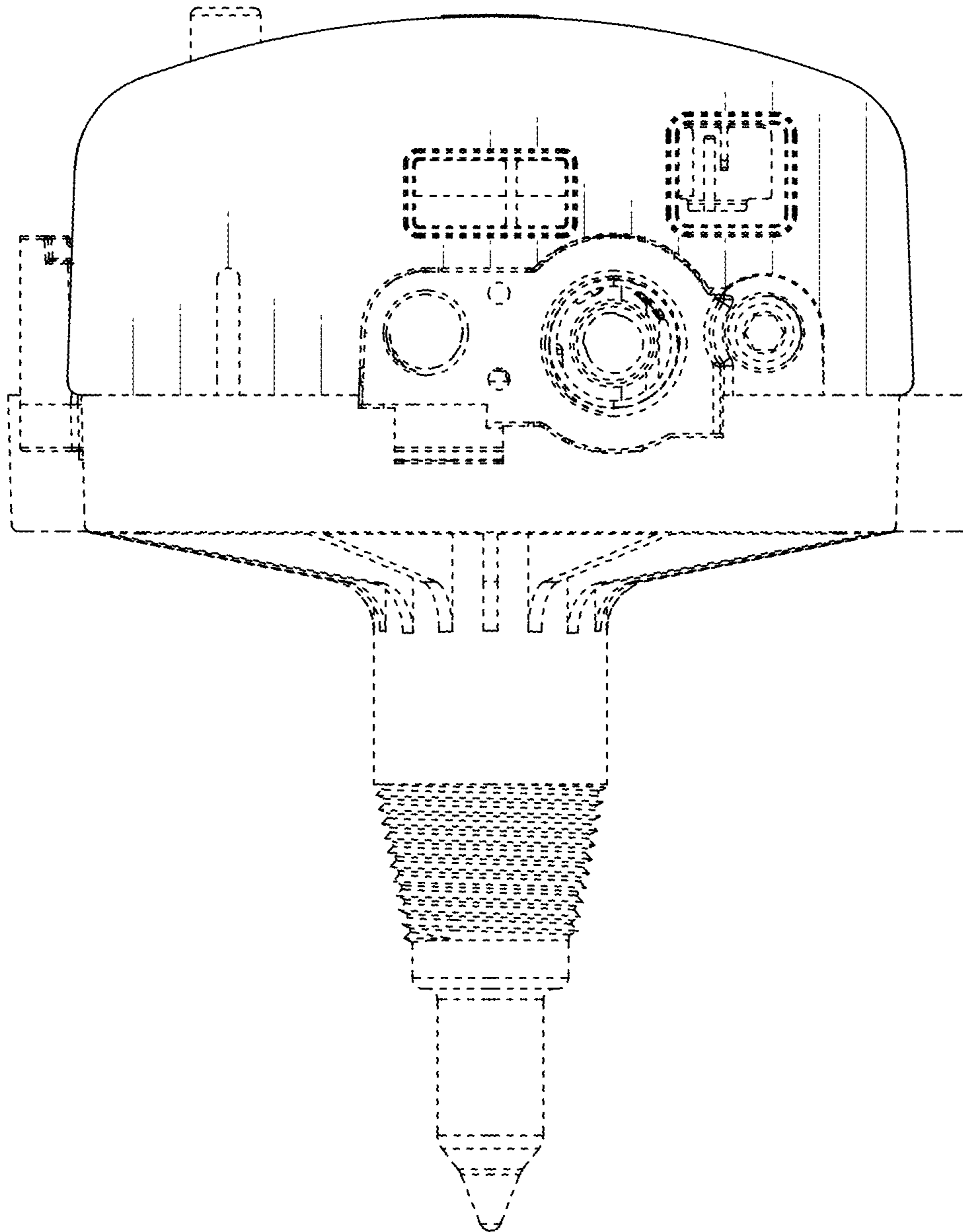


FIG. 6