



US00D910147S

(12) **United States Design Patent** (10) **Patent No.:** **US D910,147 S**
Yoshimura et al. (45) **Date of Patent:** **** Feb. 9, 2021**

(54) **ELECTROMAGNETIC VALVE**

(56) **References Cited**

(71) Applicant: **SMC CORPORATION**, Chiyoda-ku (JP)

U.S. PATENT DOCUMENTS

(72) Inventors: **Shinichi Yoshimura**, Moriya (JP); **Minchiko Mita**, Joso (JP); **Seietsu Sumiyoshi**, Moriya (JP); **Naoyuki Maeda**, Ushiku (JP); **Tomoaki Tagami**, Kashiwa (JP)

D437,030 S *	1/2001	Sato	D23/233
D599,890 S *	9/2009	Yoshimura	D23/233
D621,477 S *	8/2010	Miyazoe	D23/233
D621,910 S *	8/2010	Miyazoe	D23/233
D846,075 S *	4/2019	Sato	D23/235
D888,200 S *	6/2020	Nakayama	D23/233

* cited by examiner

(73) Assignee: **SMC CORPORATION**, Chiyoda-ku (JP)

Primary Examiner — Gino Colan

(**) Term: **15 Years**

(74) *Attorney, Agent, or Firm* — Oblon, McClelland, Maier & Neustadt, L.L.P.

(21) Appl. No.: **29/715,074**

(57) **CLAIM**

(22) Filed: **Nov. 27, 2019**

The ornamental design for an electromagnetic valve, as shown and described.

(30) **Foreign Application Priority Data**

DESCRIPTION

Jun. 14, 2019 (JP) 2019-013156

(51) **LOC (13) Cl.** **23-01**

(52) **U.S. Cl.**
USPC **D23/233**

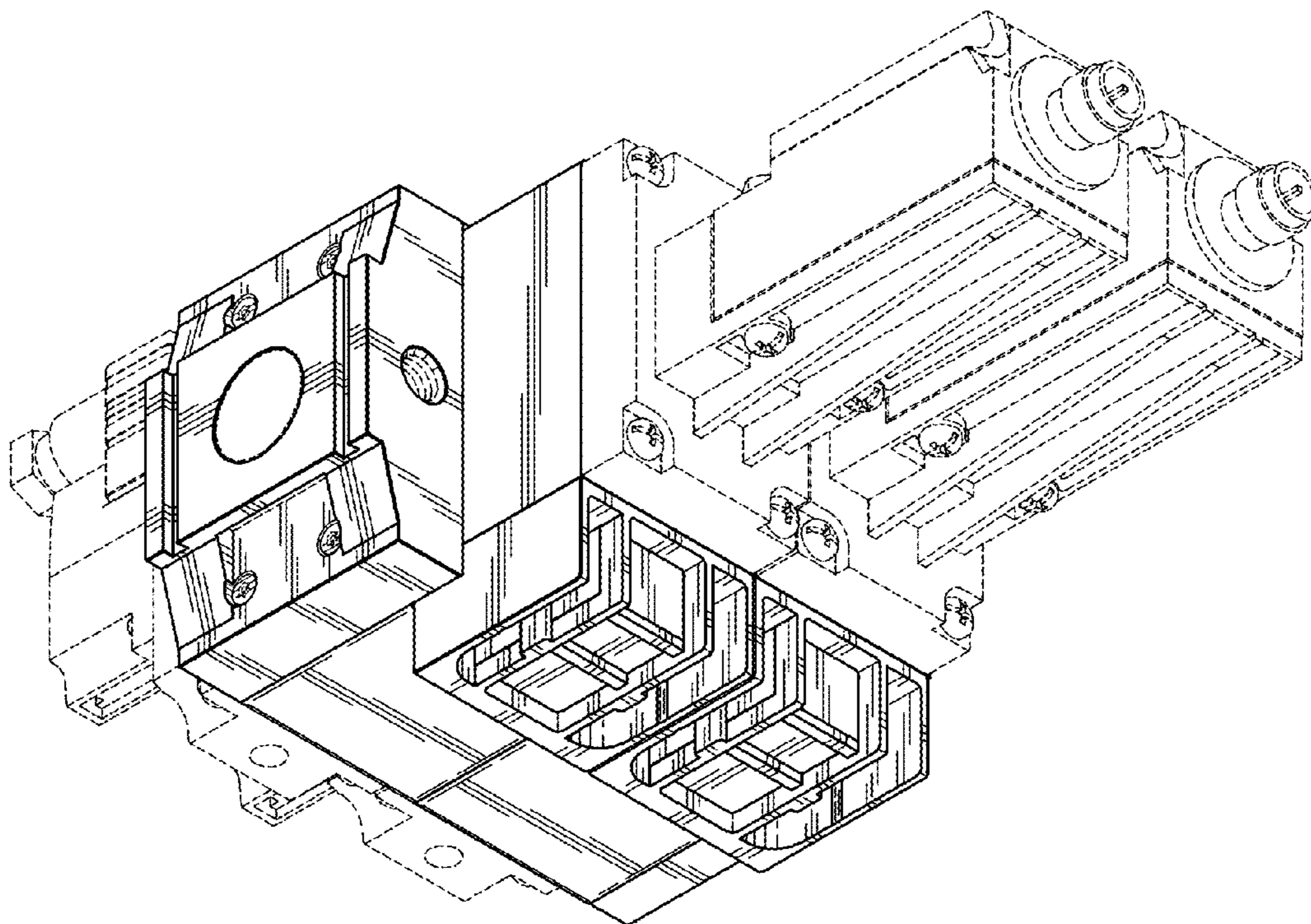
(58) **Field of Classification Search**
USPC D23/233, 235; 137/884, 597, 606,
137/625.64, 883, 596.16, 602, 605, 554,
137/560, 271

CPC .. F16K 31/0675; F16K 27/029; F16K 27/048;
F16K 31/082; F16K 11/24; F16K
27/0263; F16K 27/003; F16K 31/0634;
F02M 63/0017; F02M 51/061

See application file for complete search history.

FIG. 1 is a front, bottom, and right side perspective view of an electromagnetic valve;
FIG. 2 is a rear, top, and left side view thereof;
FIG. 3 is a front elevational view thereof;
FIG. 4 is a rear elevational view thereof;
FIG. 5 is a top plan view thereof;
FIG. 6 is a bottom plan view thereof;
FIG. 7 is a left side elevational view thereof; and,
FIG. 8 is a right side elevational view thereof.
The broken lines shown in the figures are for the purpose of illustrating portions of the electromagnetic valve that form no part of the claimed design.

1 Claim, 8 Drawing Sheets



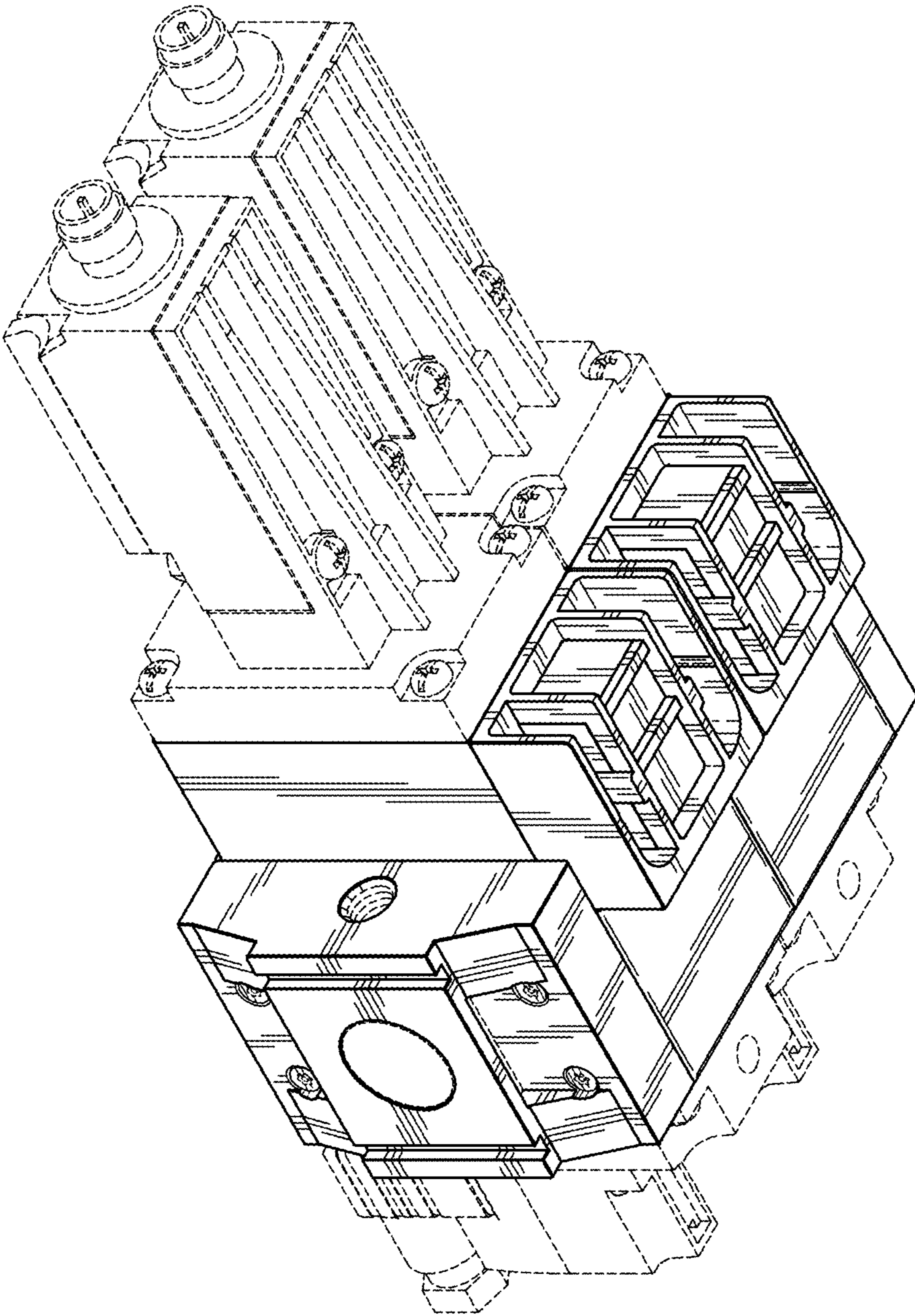


FIG. 1

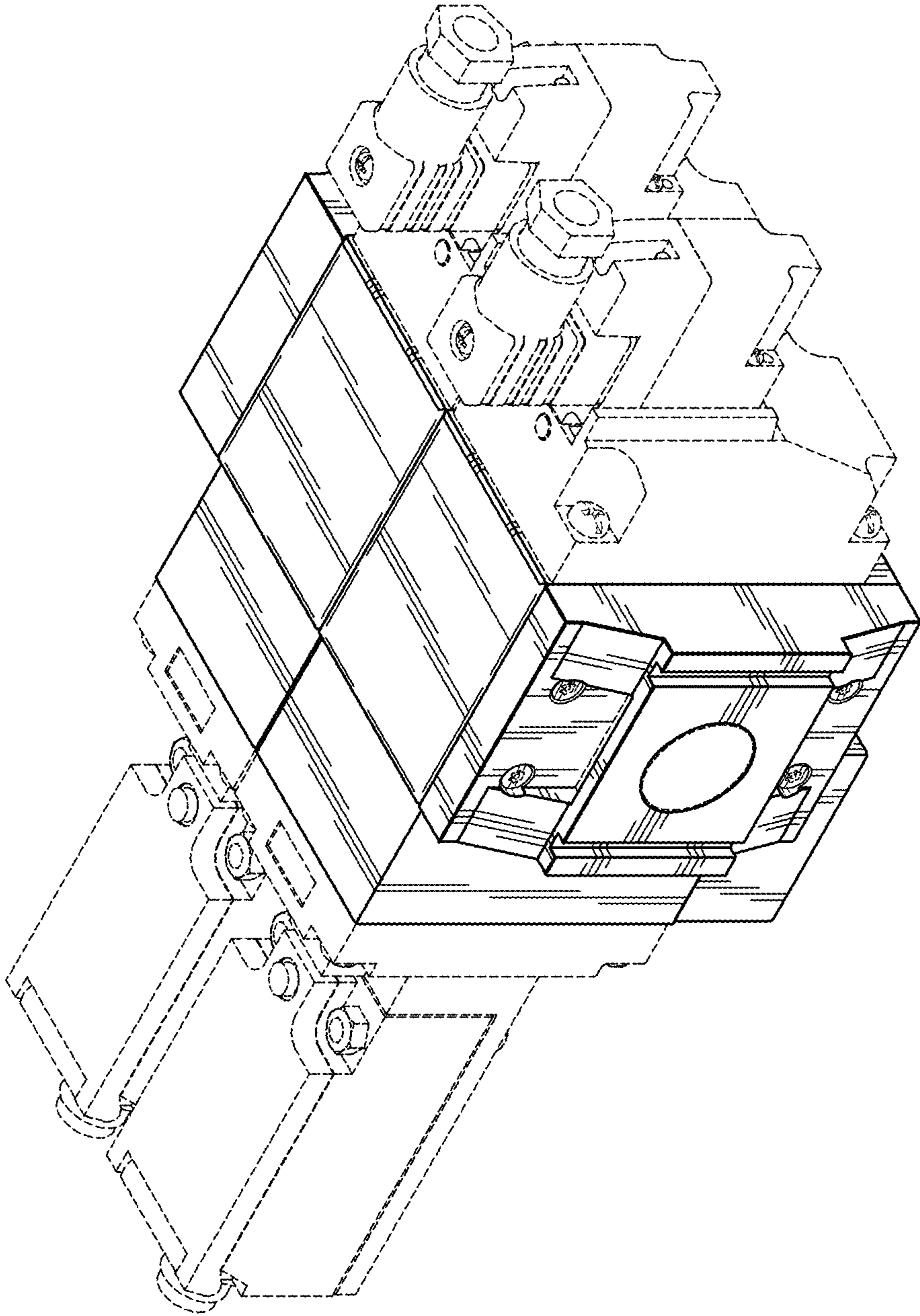


FIG. 2

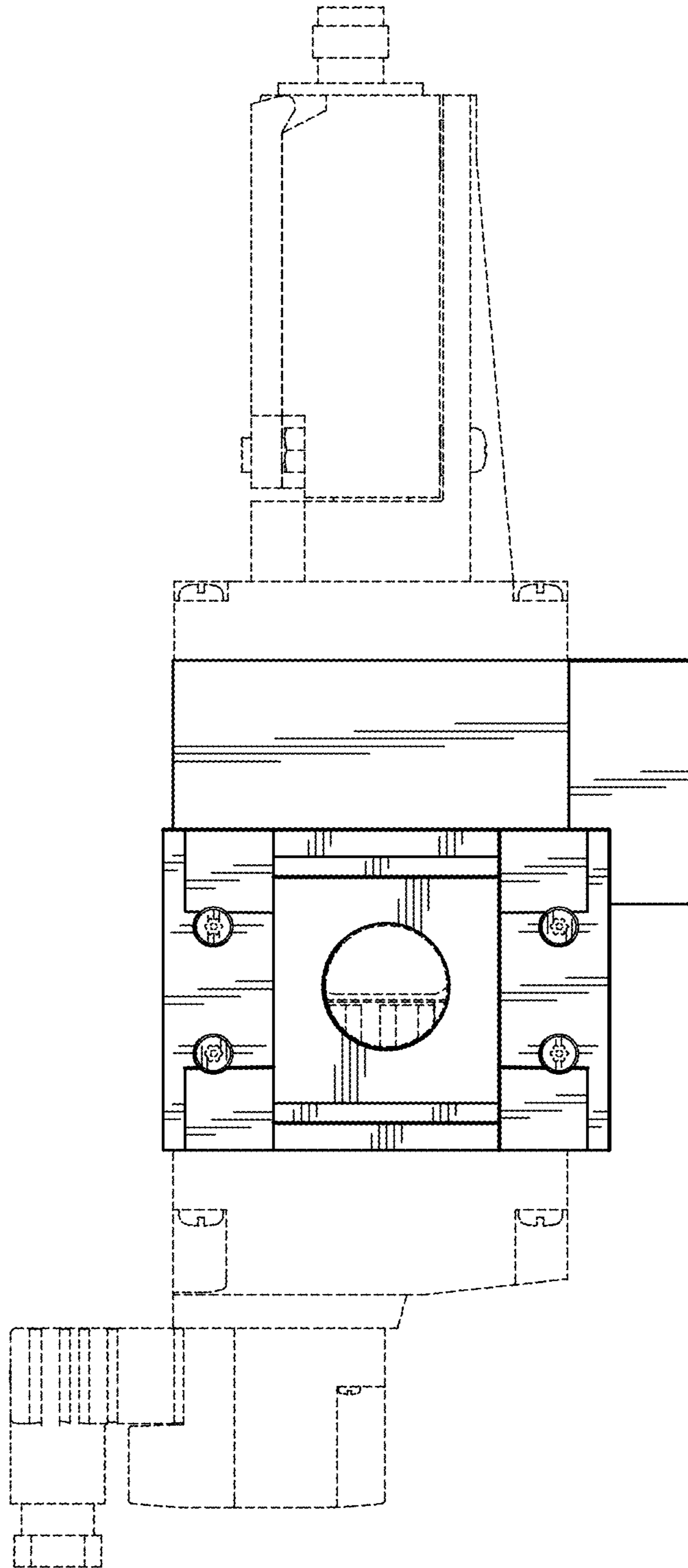


FIG. 3

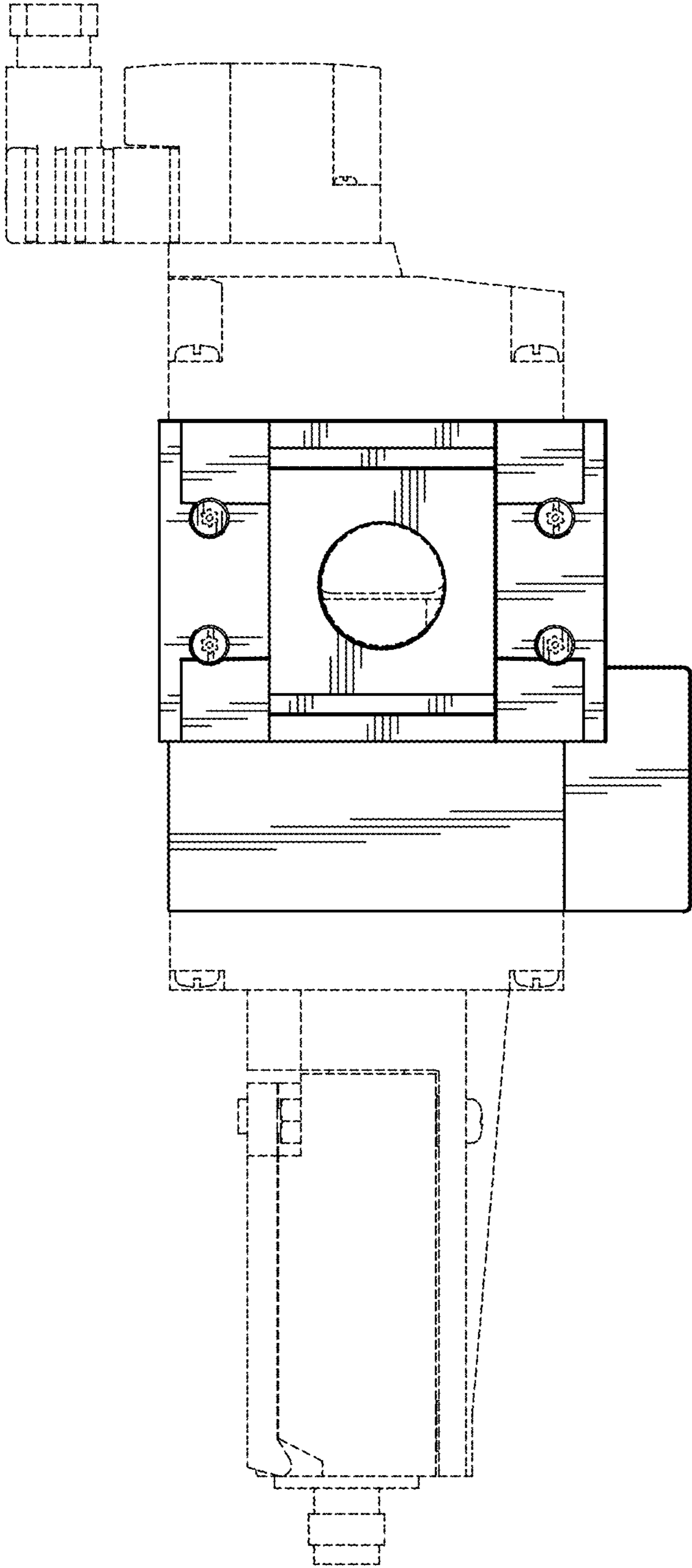


FIG. 4

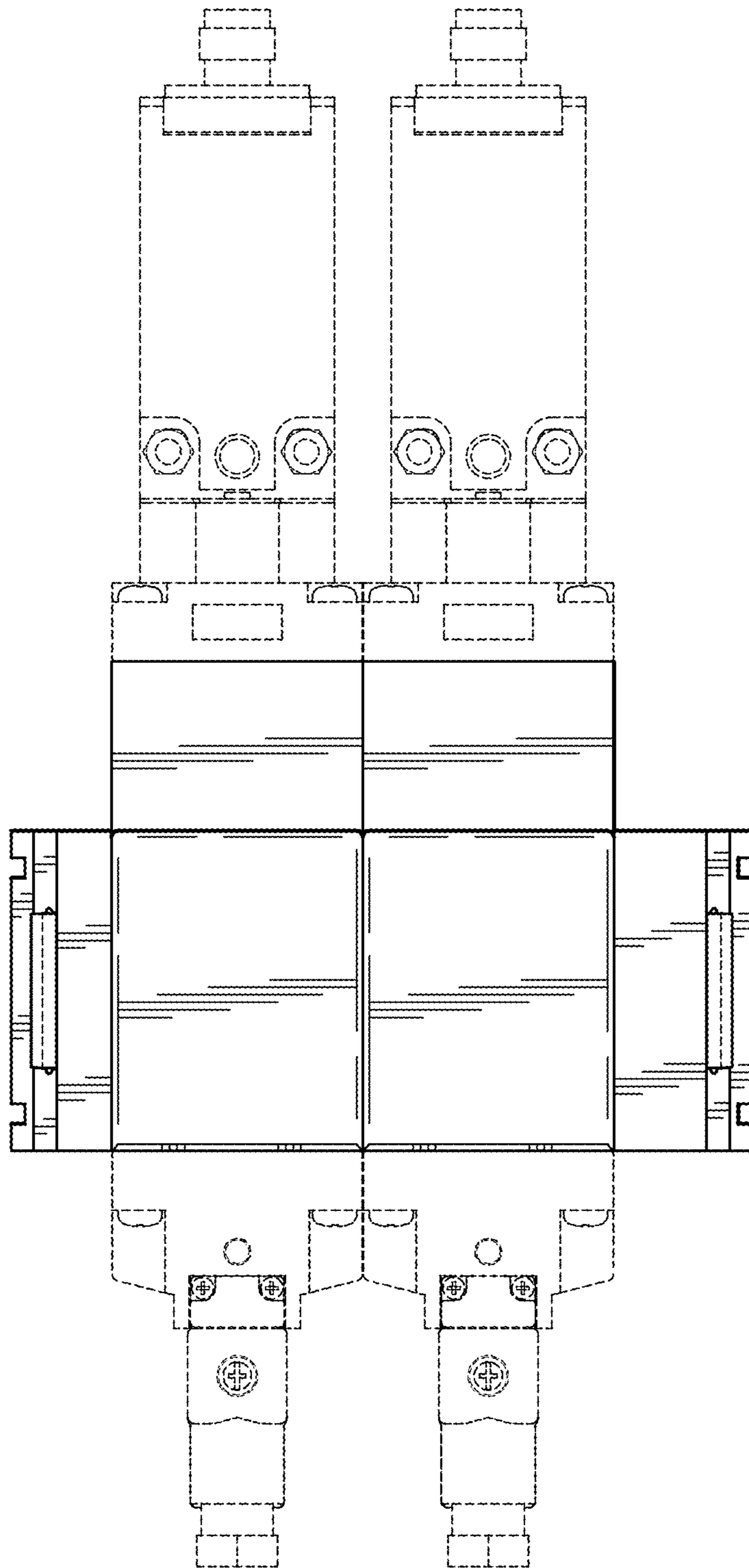


FIG. 5

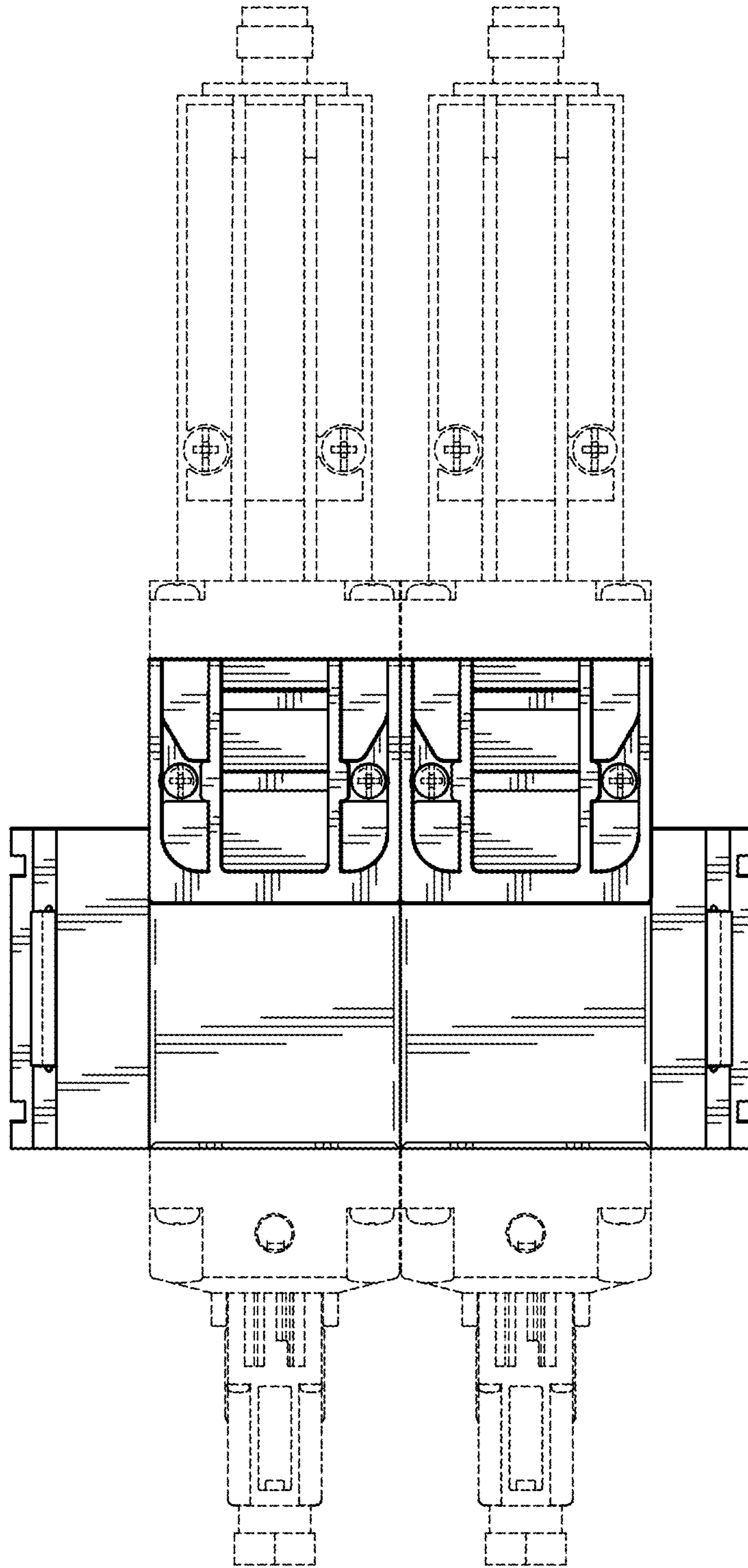


FIG. 6

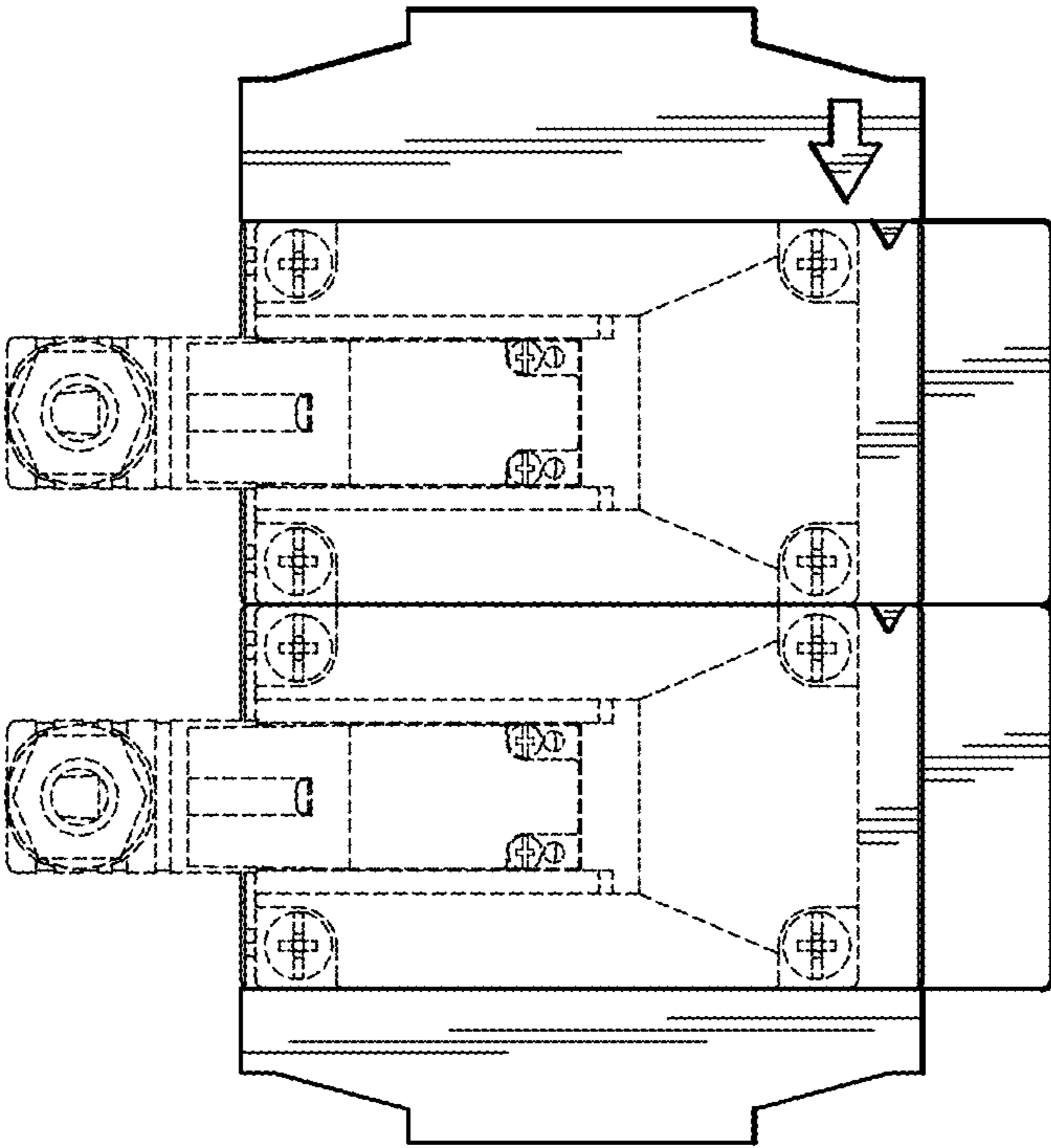


FIG. 7

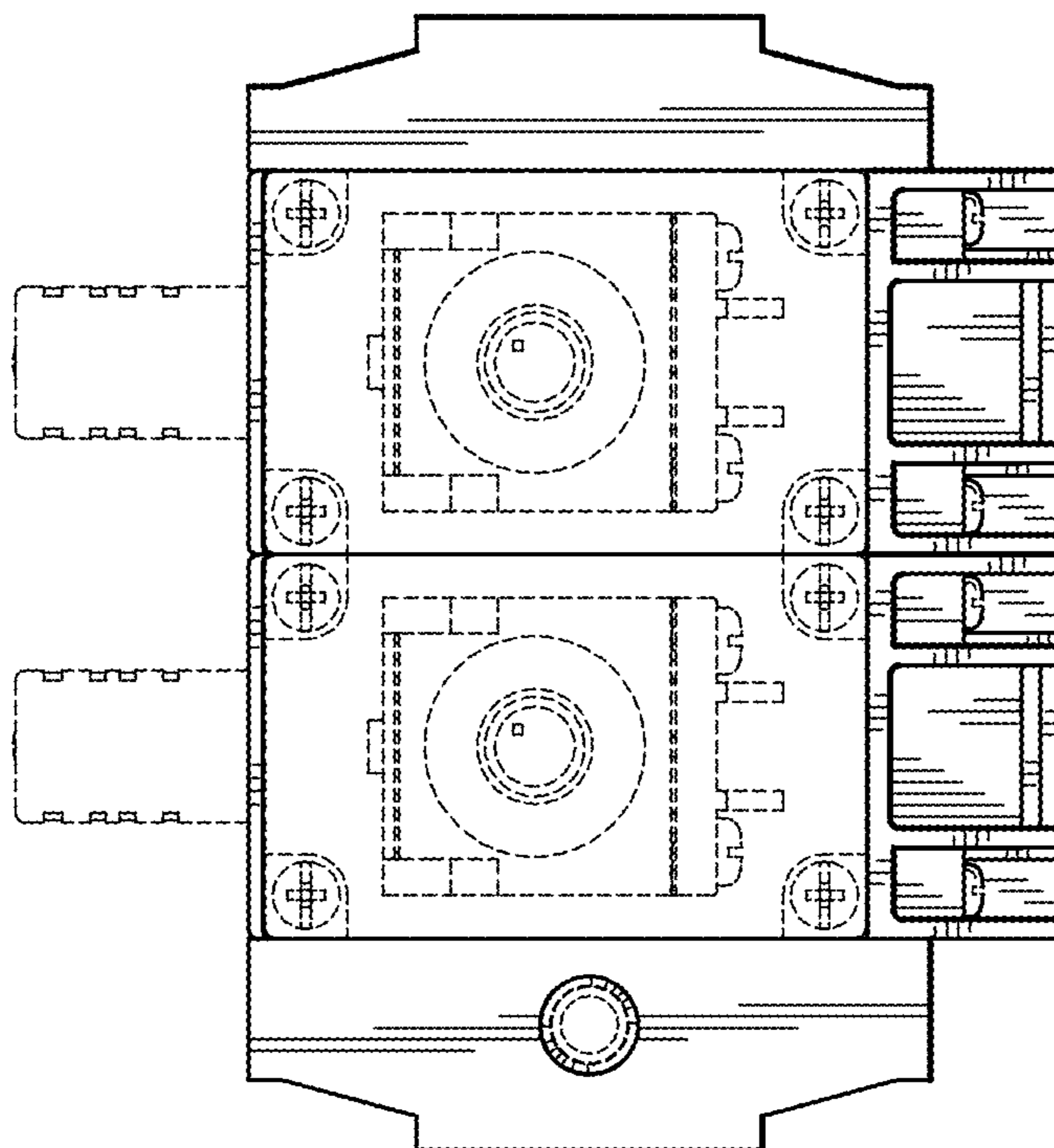


FIG. 8