



US00D910146S

(12) **United States Design Patent** (10) **Patent No.:** **US D910,146 S**
Zhang (45) **Date of Patent:** **** Feb. 9, 2021**

(54) **KITCHEN FAUCET SPRAYER HEAD**

D867,525 S * 11/2019 Eads D23/213
D867,526 S * 11/2019 Garland D23/213
D867,527 S * 11/2019 Eads D23/213
D870,234 S * 12/2019 Judge D23/213
D870,235 S * 12/2019 Tentler D23/213

(71) Applicant: **Guangzhou Apasso Sanitary Ware Technology Co., Ltd**, Huangpu Dist (CN)

(Continued)

(72) Inventor: **Xinrui Zhang**, Kaiping (CN)

FOREIGN PATENT DOCUMENTS

(**) Term: **15 Years**

CN 302651733 * 5/2013
CN 303424464 * 5/2015
CN 305038116 * 4/2018

(21) Appl. No.: **29/735,573**

OTHER PUBLICATIONS

(22) Filed: **May 22, 2020**

(51) **LOC (13) Cl.** **23-01**

(52) **U.S. Cl.**
USPC **D23/225**

(58) **Field of Classification Search**
USPC D23/213, 225, 226, 229, 230, 238–243,
D23/252, 254, 255, 257

CPC B05B 1/30
See application file for complete search history.

Faucet Sprayer Head, announced Feb. 5, 2018[online], [site visited Jul. 27, 2020]. Available from internet, URL:<<https://www.amazon.com/Angle-Simple-Kitchen-Sprayer-Replacement/dp/B079LW898F>> (Year: 2018).*

(Continued)

Primary Examiner — Barbara Fox
Assistant Examiner — Jamaal Rasheed

(56) **References Cited**

(74) *Attorney, Agent, or Firm* — Rumit Kanakia

U.S. PATENT DOCUMENTS

(57) **CLAIM**

D487,135 S * 2/2004 Lord D23/245
D652,489 S * 1/2012 Bosio D23/255
D655,398 S * 3/2012 Bosio D23/255
D754,301 S * 4/2016 Bahler D23/255
9,656,280 B2 * 5/2017 Pitsch B05B 1/3026
9,707,572 B2 * 7/2017 Erickson B05B 1/1627
D797,257 S * 9/2017 Potter D23/255
D802,091 S * 11/2017 Bahler D23/213
D803,361 S * 11/2017 Downey D23/257
D810,882 S * 2/2018 Bahler D23/249
10,124,349 B2 * 11/2018 Erickson B05B 1/1618
D840,505 S * 2/2019 Zhang D23/238
D842,429 S * 3/2019 Huang D23/213
D842,430 S * 3/2019 Huang D23/213
D866,707 S * 11/2019 Eads D23/213
D866,708 S * 11/2019 Bahler D23/213
D867,522 S * 11/2019 Tentler D23/213
D867,523 S * 11/2019 Tentler D23/213
D867,524 S * 11/2019 Tentler D23/213

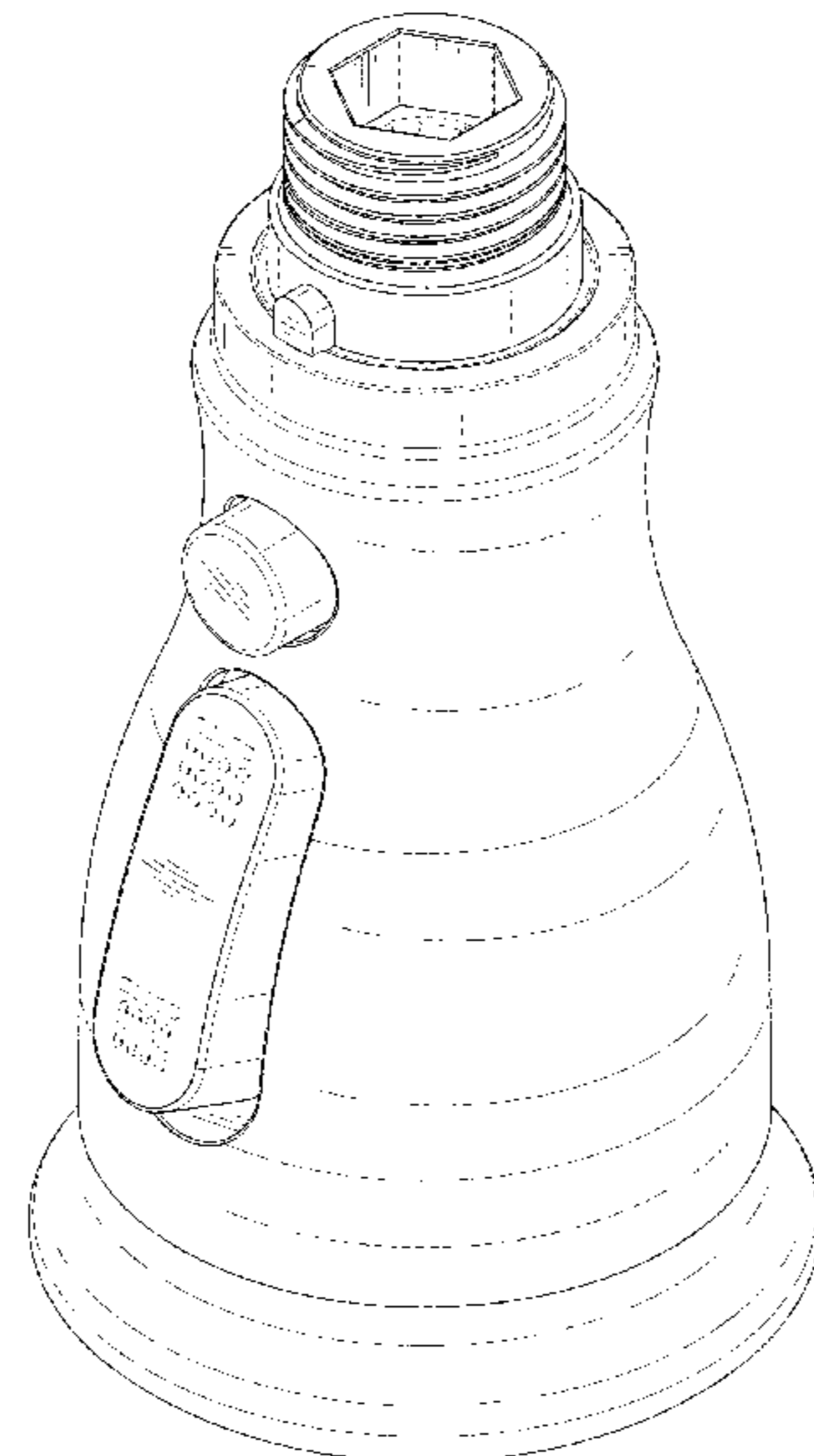
I claim the ornamental design for a kitchen faucet sprayer head, as shown and described.

DESCRIPTION

FIG. 1 is a Perspective view of a kitchen faucet sprayer head showing my new design;
FIG. 2 is a Front view thereof;
FIG. 3 is a Back view thereof;
FIG. 4 is a Right-side view thereof;
FIG. 5 is a Left-side view thereof; and
FIG. 6 is a Top view thereof; and,
FIG. 7 is a Bottom view thereof.

The broken lines depict portions of the kitchen faucet sprayer head that form no part of the claimed design.

1 Claim, 7 Drawing Sheets



(56)

References Cited

U.S. PATENT DOCUMENTS

D870,845 S * 12/2019 Eads D23/213
D876,582 S * 2/2020 Eads D23/213
D881,341 S * 4/2020 Garland D23/213
D889,600 S * 7/2020 Zhang D23/213
2007/0252022 A1 * 11/2007 Benstead B05B 1/3026
239/590.5
2016/0136659 A1 * 5/2016 Erickson B05B 1/1618
239/443

OTHER PUBLICATIONS

Kitchen Faucet Spray Head, announced Apr. 19, 2019[online], [site visited Jul. 27, 2020]. Available from internet, URL:<<https://www.amazon.com/APPASO-Kitchen-Replacement-Functions-APSP002BN/dp/B07TT3GGDC>> (Year: 2019).*

Replacement Head, announced Jun. 16, 2019[online], [site visited Jul. 27, 2020]. Available from internet, URL:<<https://www.amazon.com/Fonveth-Functions-Replacement-Kitchen-Faucet/dp/B07T62D7MK>> (Year: 2019).*

* cited by examiner



FIG. 1

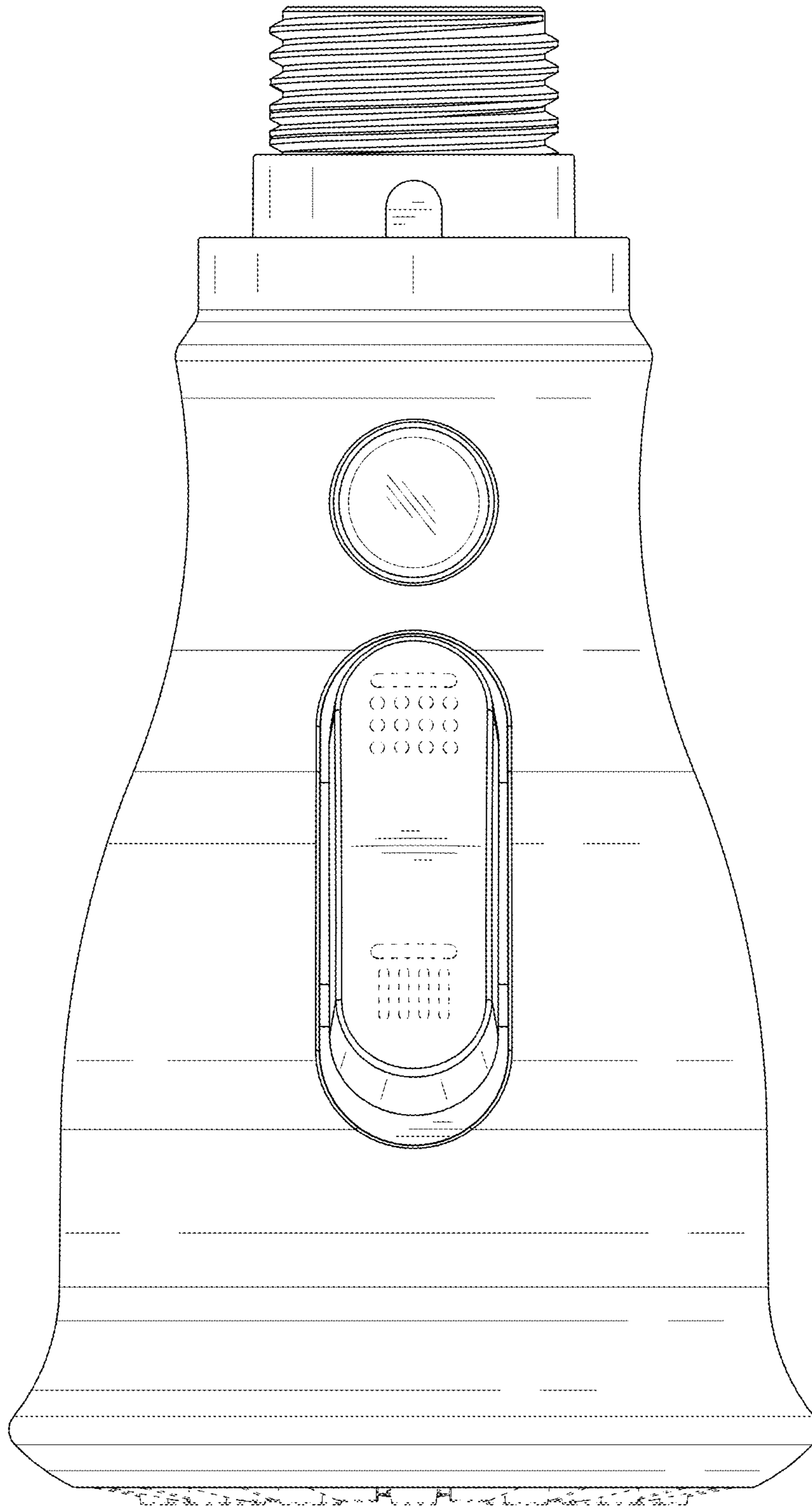


FIG. 2

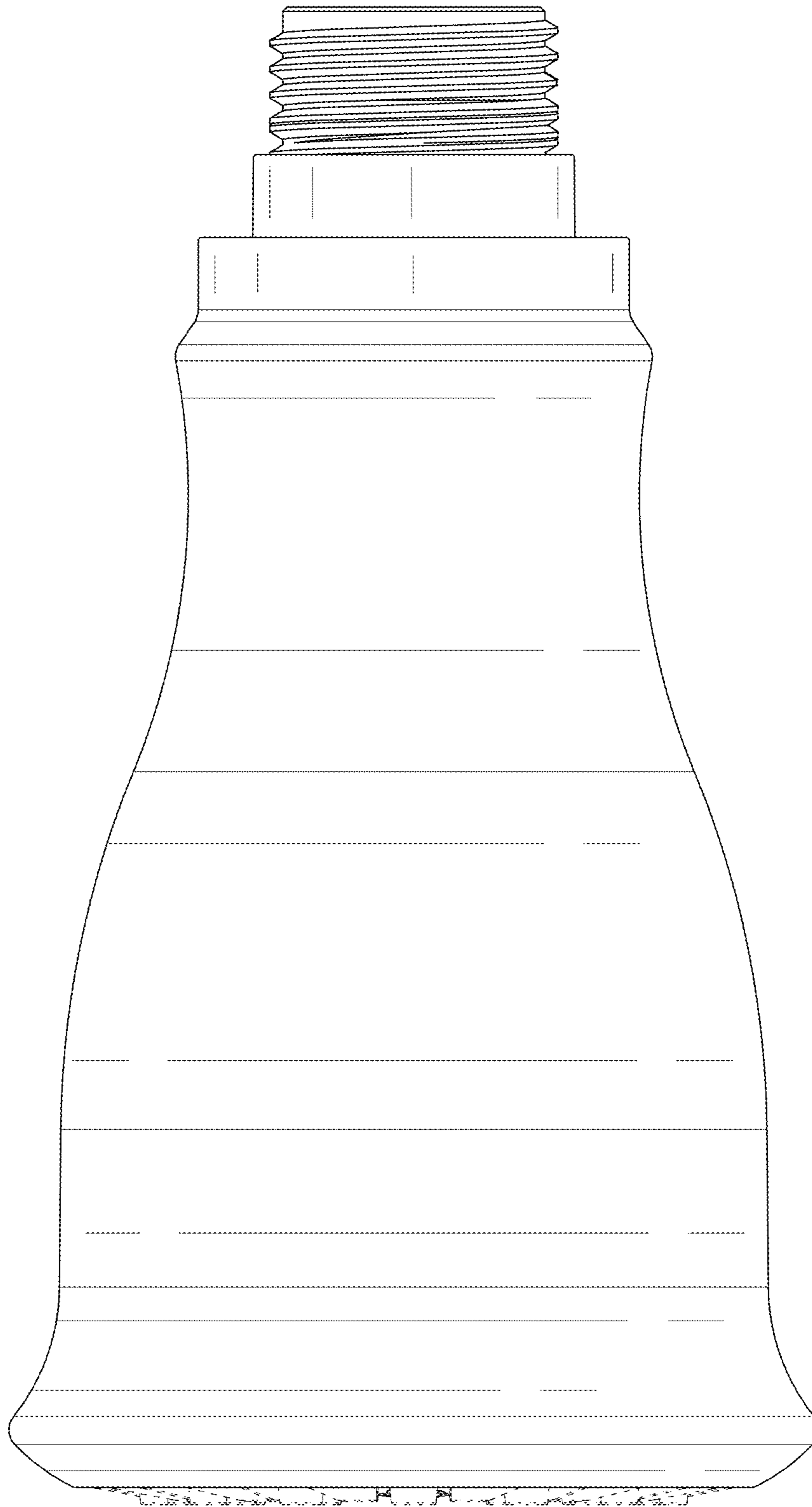


FIG. 3

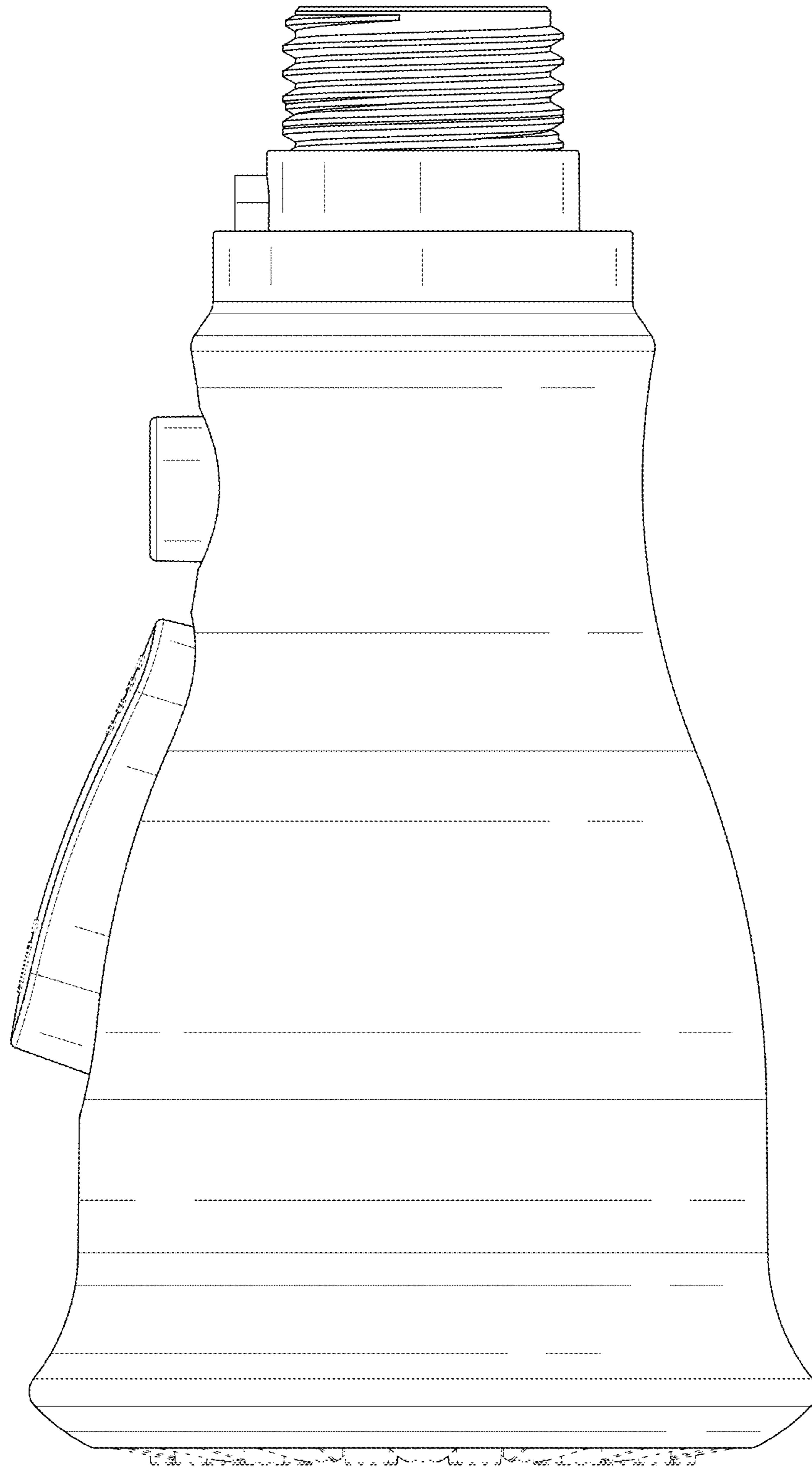


FIG. 4

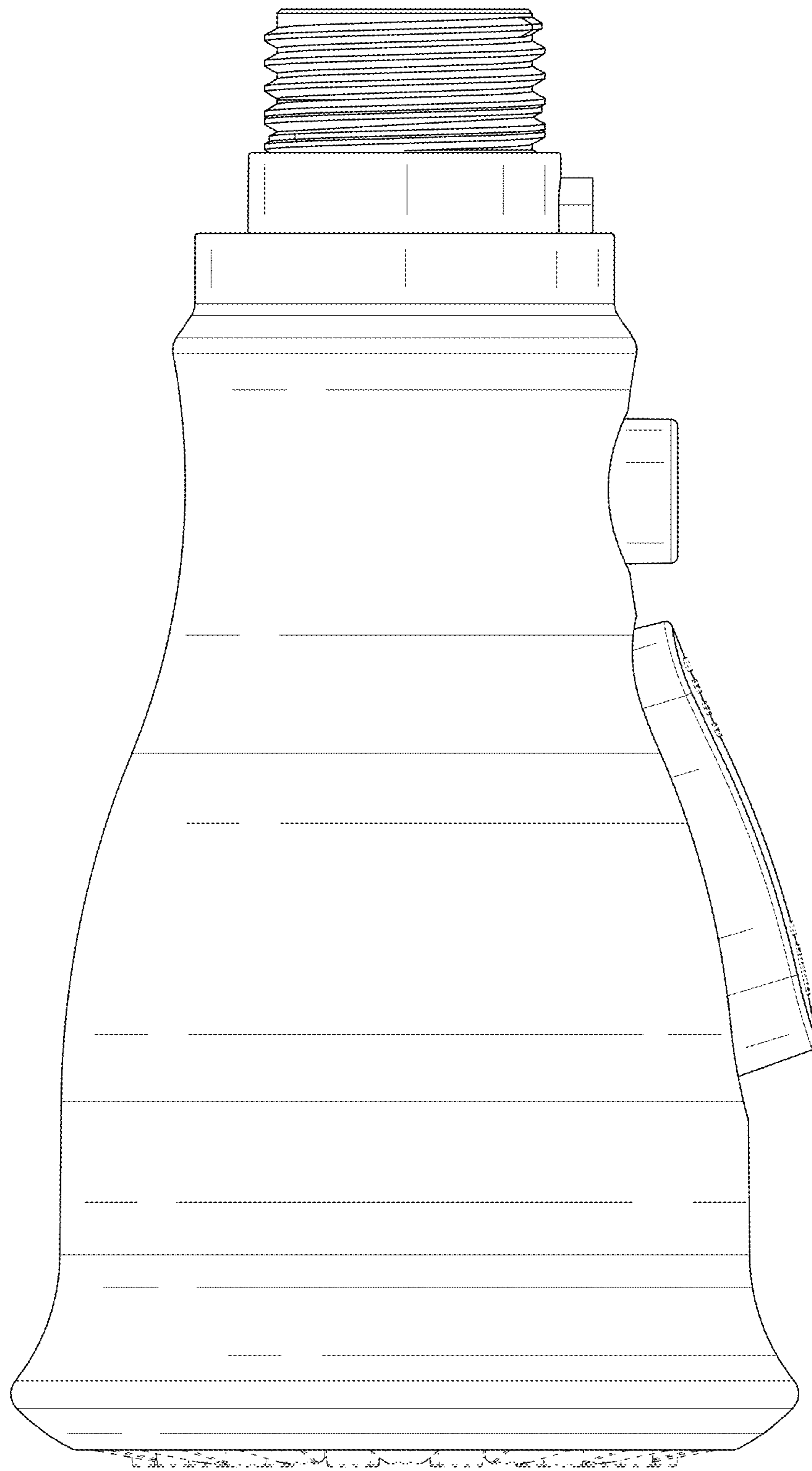


FIG. 5

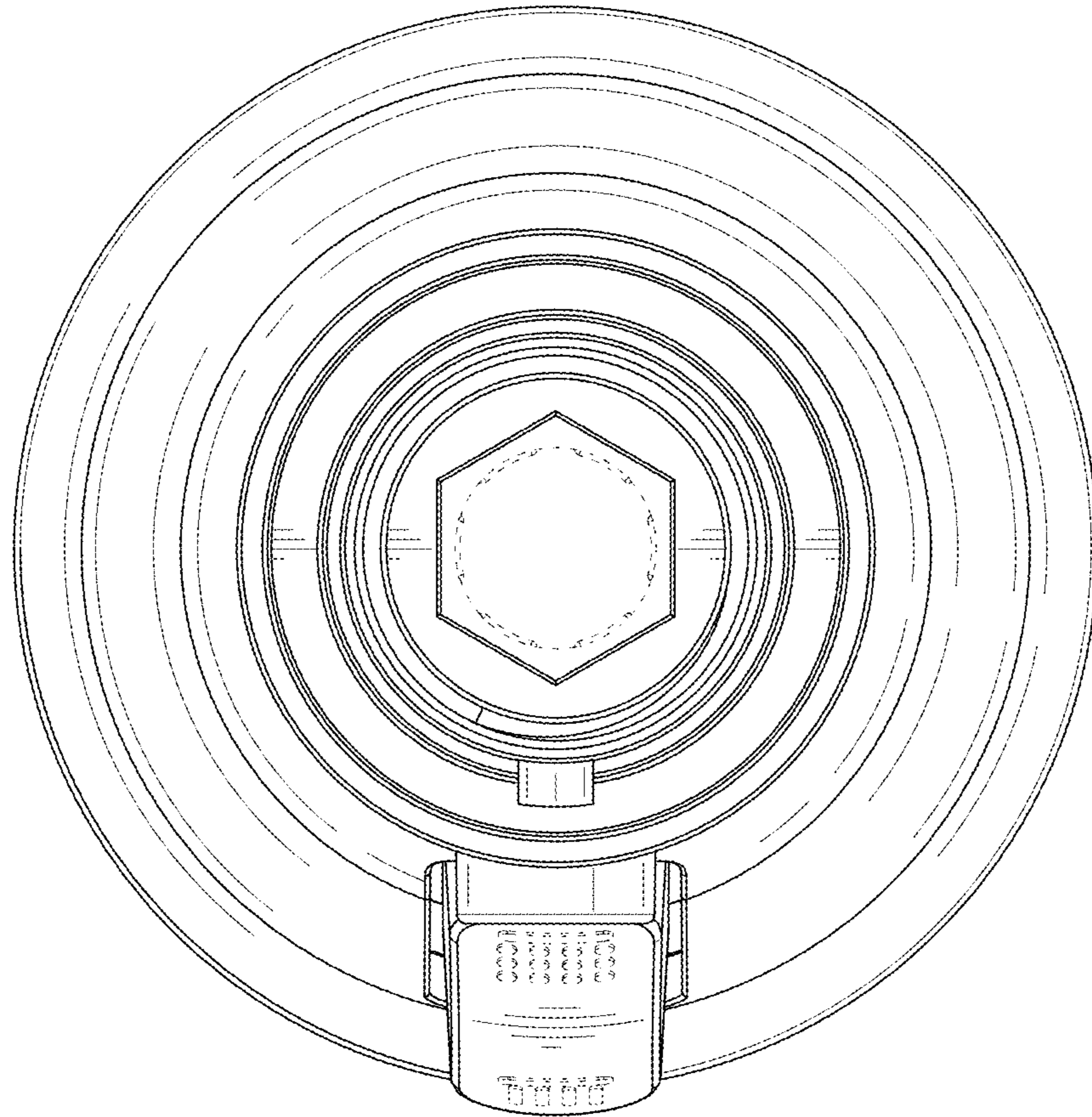


FIG. 6

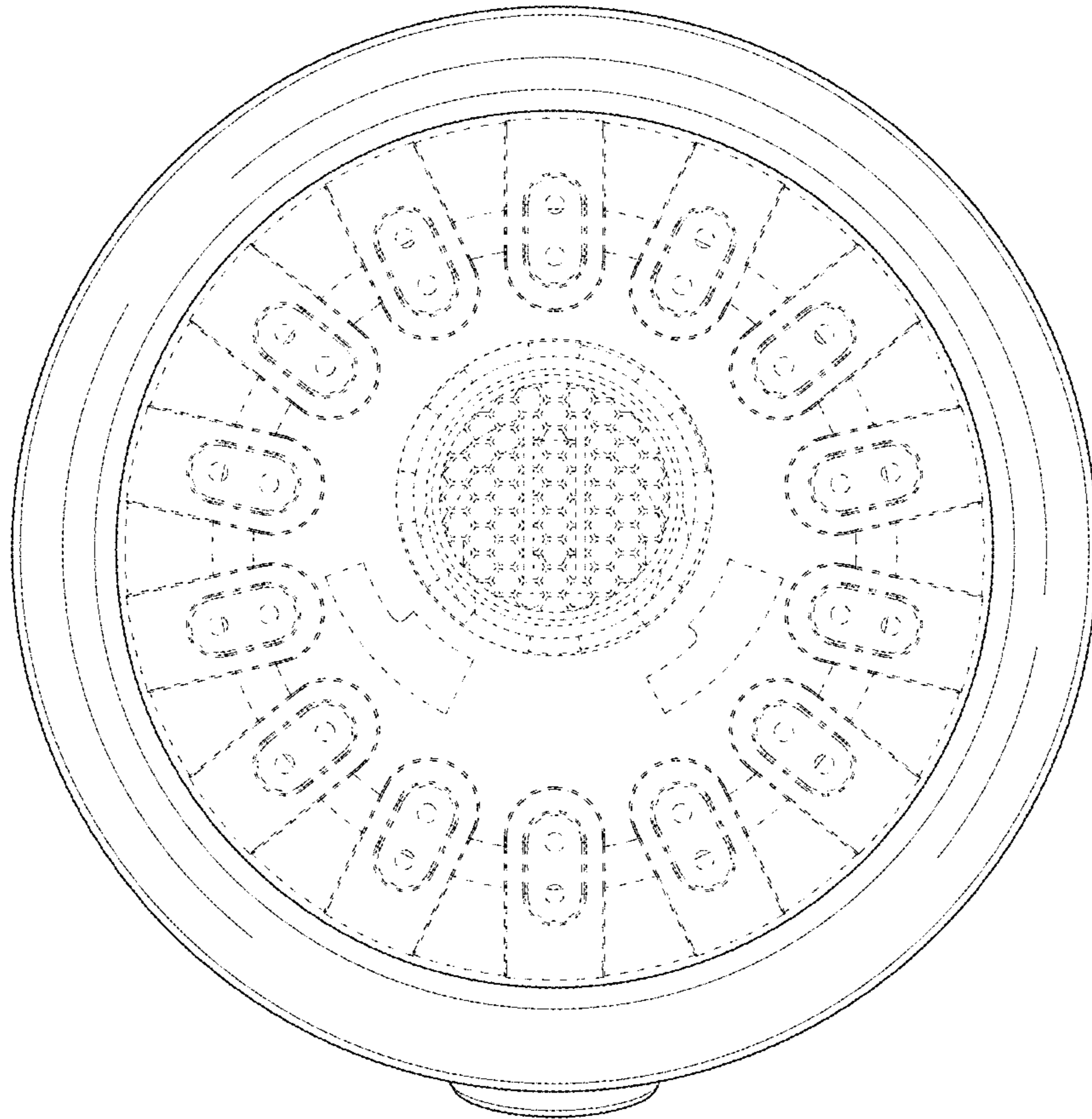


FIG. 7