



US00D910145S

(12) **United States Design Patent**  
**Roehl**

(10) **Patent No.:** **US D910,145 S**  
(45) **Date of Patent:** **\*\* Feb. 9, 2021**

(54) **DISPENSER NOZZLE**  
(71) Applicant: **Lutz Pumpen GmbH, Wertheim (DE)**  
(72) Inventor: **Matthias Roehl, Erlenbach (DE)**  
(73) Assignee: **Lutz Pumpen GmbH, Wertheim (DE)**  
(\*\*) Term: **15 Years**  
(21) Appl. No.: **29/678,060**  
(22) Filed: **Jan. 25, 2019**

5,470,305 A \* 11/1995 Arnett ..... A61M 3/022  
601/161  
6,059,754 A \* 5/2000 Pasch ..... A61M 3/022  
604/152  
6,460,787 B1 \* 10/2002 Hartle ..... B05B 12/0026  
239/691  
D627,035 S \* 11/2010 Evar ..... D23/226  
D677,362 S \* 3/2013 Christopher ..... D23/223  
8,460,251 B2 \* 6/2013 Ebbett ..... A61D 7/00  
604/223  
8,608,091 B2 \* 12/2013 Murray ..... B29B 7/7404  
239/413  
D782,005 S \* 3/2017 Naslund ..... D23/223  
D805,567 S \* 12/2017 Kita ..... D15/144.2  
(Continued)

(30) **Foreign Application Priority Data**

Aug. 1, 2018 (EM) ..... 005520590

(51) **LOC (13) Cl.** ..... **23-01**  
(52) **U.S. Cl.**  
USPC ..... **D23/213**  
(58) **Field of Classification Search**  
USPC ..... D23/213, 214, 215, 223, 224, 226, 229,  
D23/230  
CPC ..... A61H 9/0021; A61H 33/00; B05B 1/00;  
B05B 1/14; B05B 1/185; B05B 1/08;  
B05B 1/02; B05B 1/26; B05B 12/002;  
B05B 1/18; B05B 9/01  
See application file for complete search history.

**OTHER PUBLICATIONS**

<https://www.amazon.com/Heavy-Nozzle-Barbed-discharge-nozzles/dp/B079NVGFQ4#feature-bullets-btf> (Year: 2020).\*

*Primary Examiner* — Manpreet S Matharu  
*Assistant Examiner* — Keith J Wilson  
(74) *Attorney, Agent, or Firm* — Collard & Roe, P.C.

(57) **CLAIM**

The ornamental design for a dispenser nozzle, as shown and described.

(56) **References Cited**

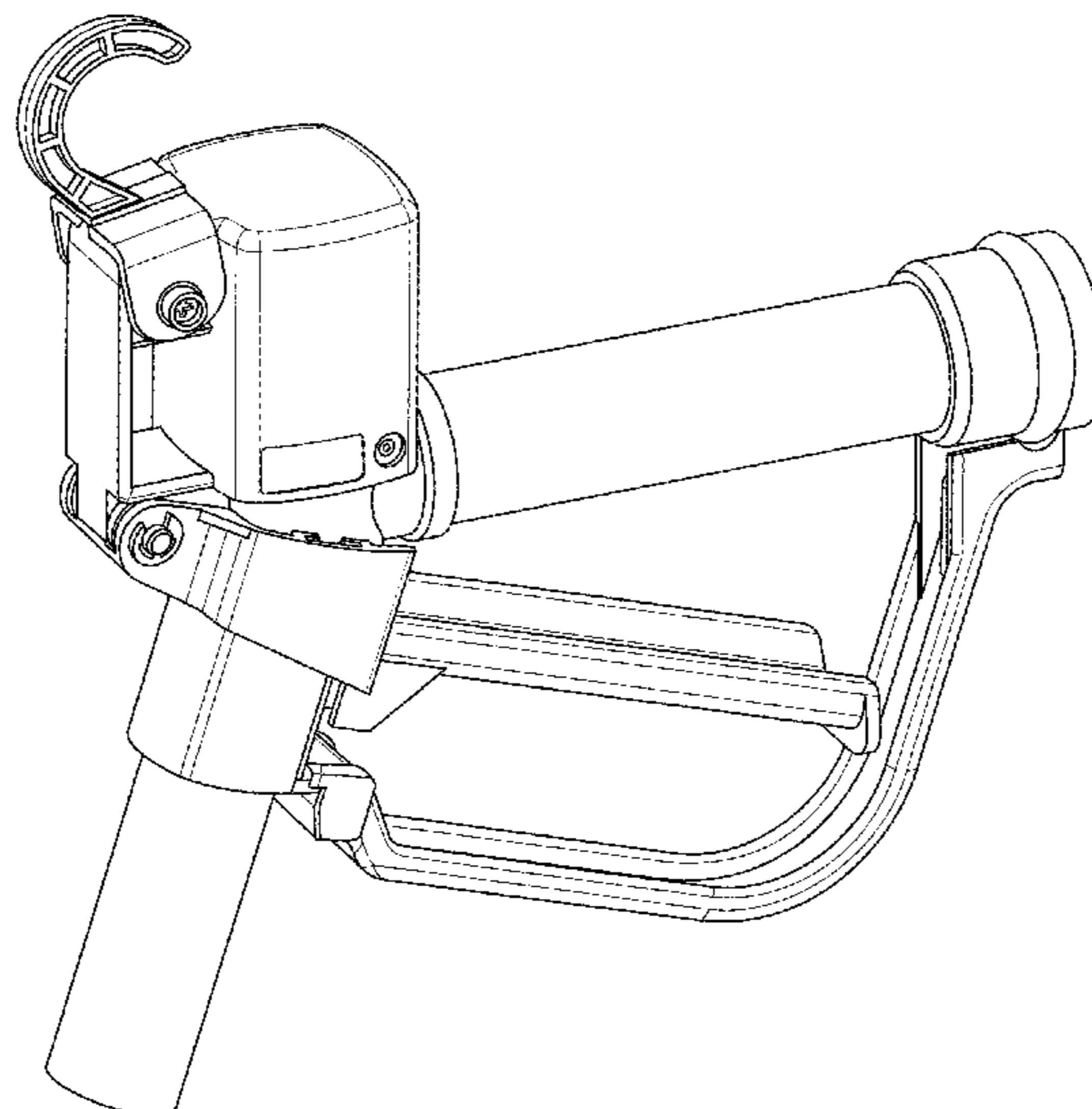
**U.S. PATENT DOCUMENTS**

4,583,531 A \* 4/1986 Mattchen ..... A61C 17/028  
601/161  
4,660,774 A \* 4/1987 Kwok ..... B05B 15/00  
239/301  
5,046,486 A \* 9/1991 Grulke ..... A61C 17/028  
601/161  
5,312,333 A \* 5/1994 Churinetz ..... A61B 17/00491  
604/140  
5,332,156 A \* 7/1994 Wheeler ..... B05B 15/00  
239/288  
5,462,204 A \* 10/1995 Finn ..... B05B 1/3066  
222/137

**DESCRIPTION**

FIG. 1 is a rear and left side perspective view of a dispenser nozzle, showing my new design;  
FIG. 2 is a left side view thereof;  
FIG. 3 is a right side view thereof;  
FIG. 4 is a top view thereof;  
FIG. 5 is a bottom view thereof;  
FIG. 6 is a front view thereof; and,  
FIG. 7 is a rear view thereof.  
The broken lines shown represents portion of a dispenser nozzle and forms no part of the claimed design.

**1 Claim, 5 Drawing Sheets**



(56)

**References Cited**

U.S. PATENT DOCUMENTS

D826,025 S \* 8/2018 Harrington ..... D8/107  
10,245,042 B2 \* 4/2019 Koltz ..... A61B 17/1622

\* cited by examiner

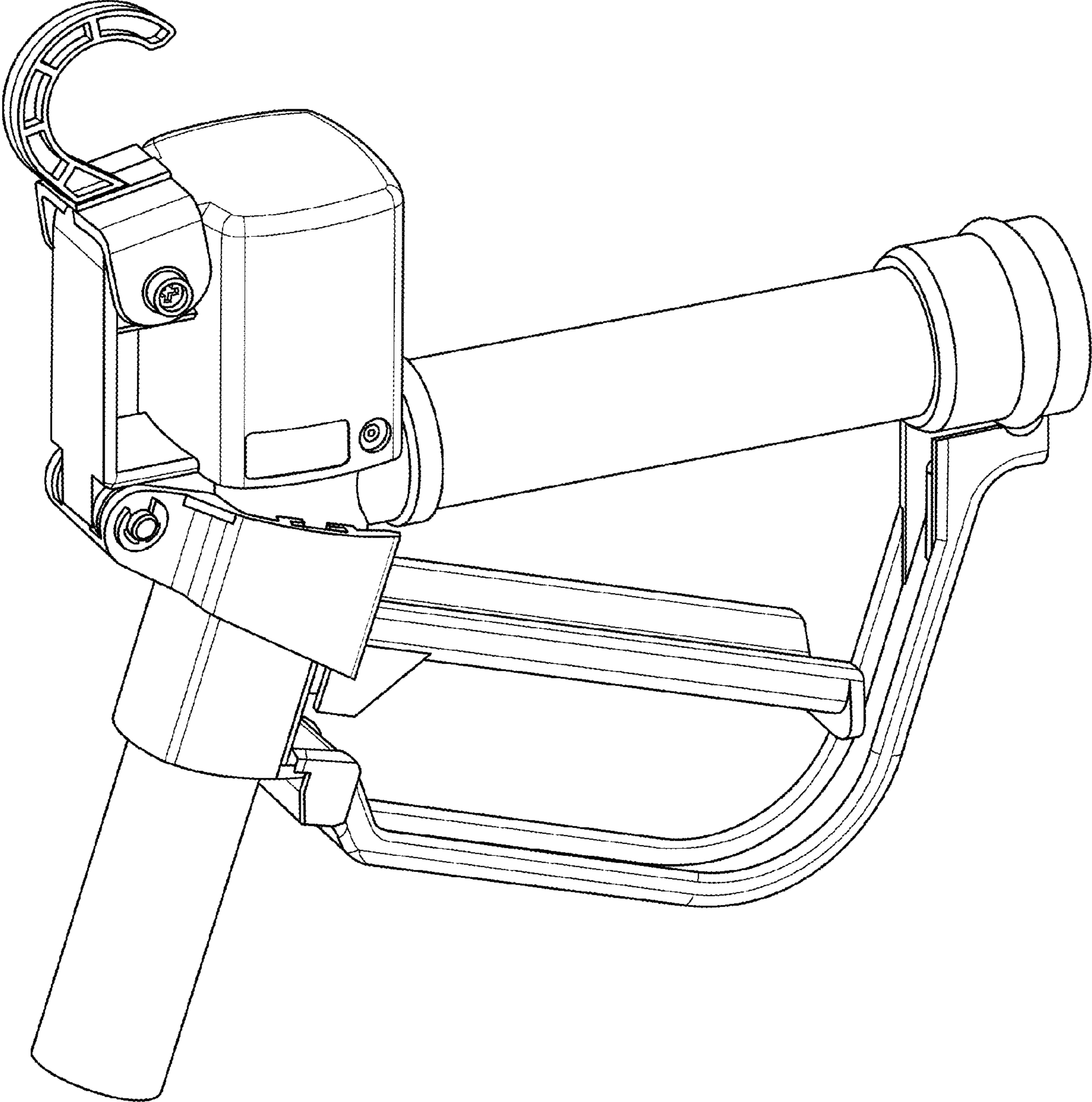


FIG. 1

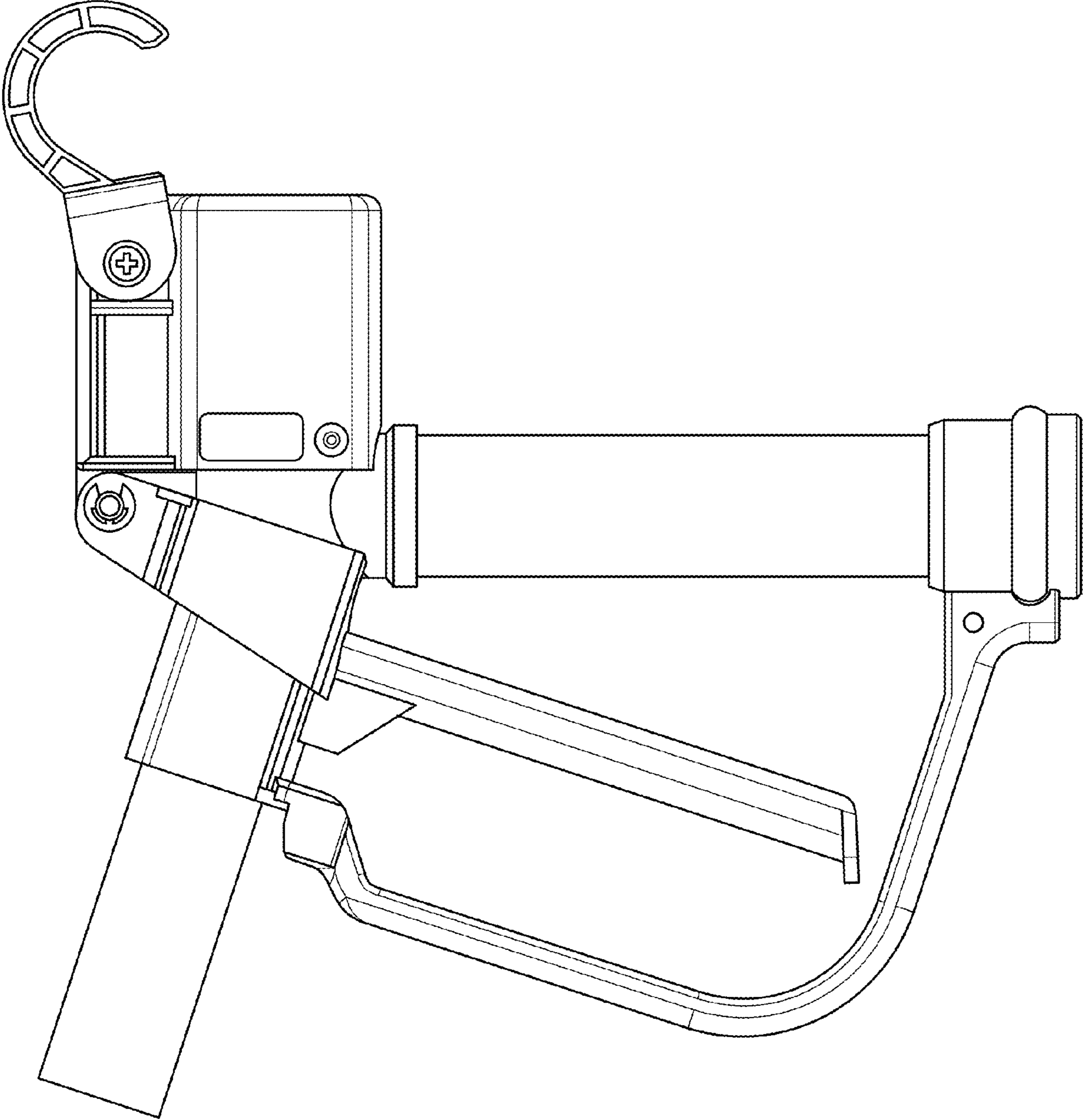


FIG. 2

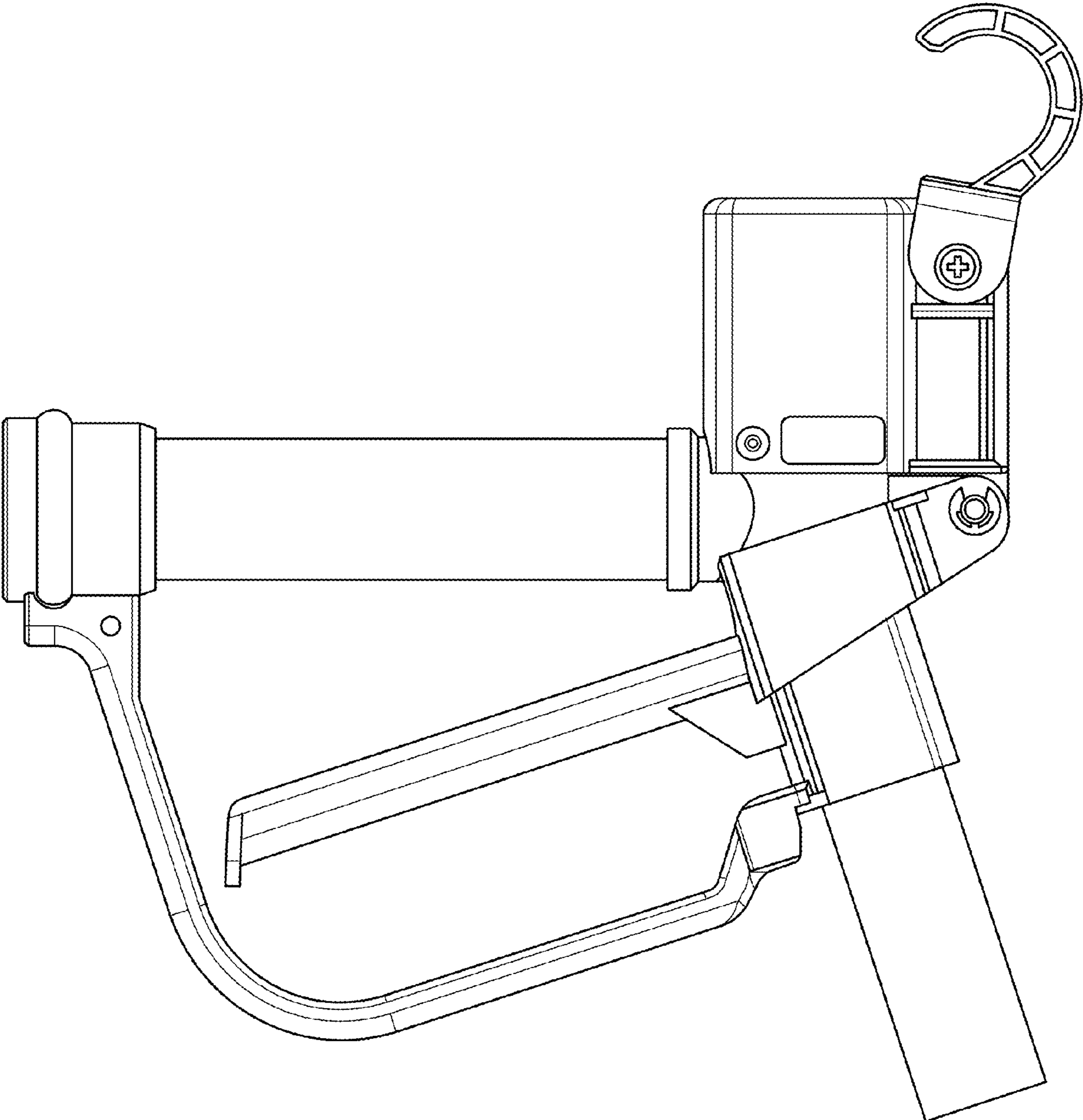


FIG. 3

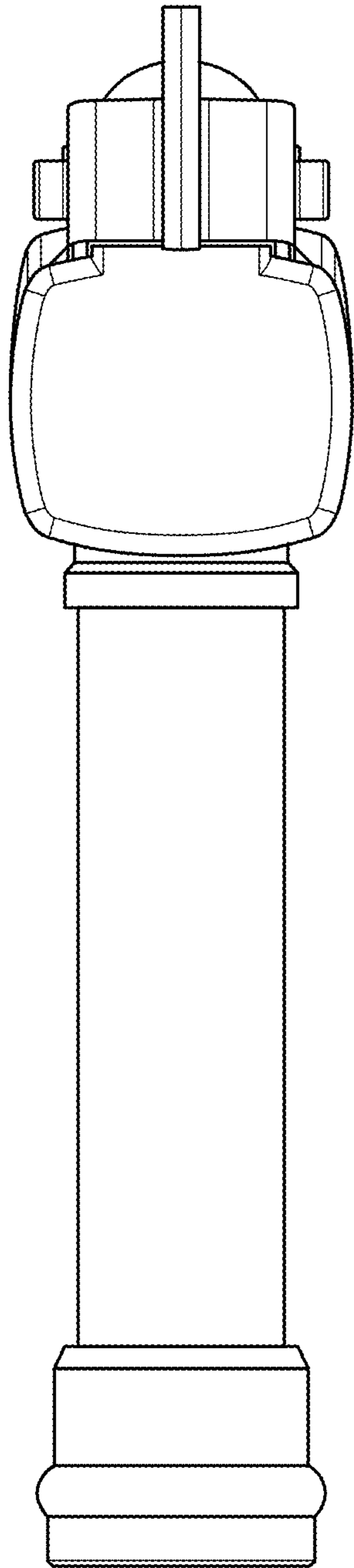


FIG. 4

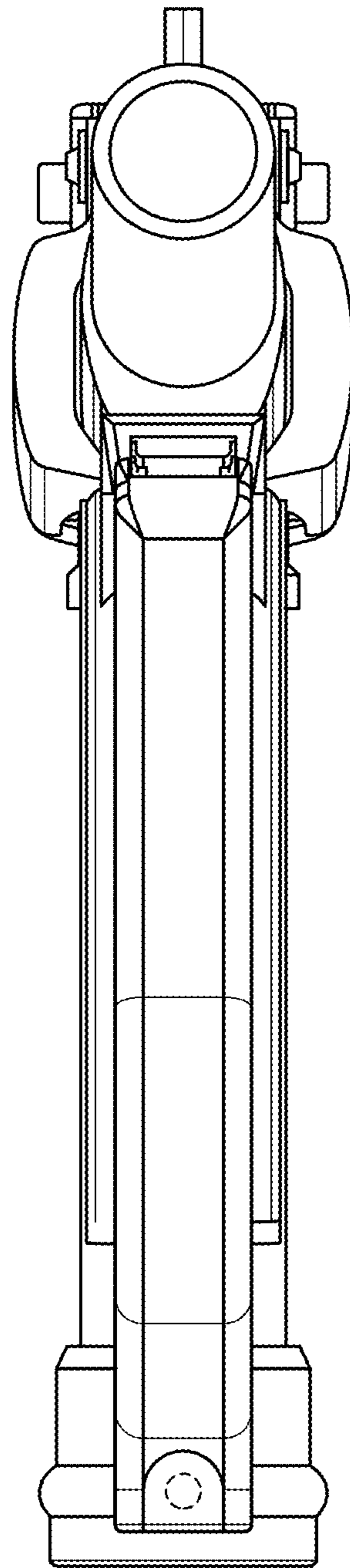


FIG. 5

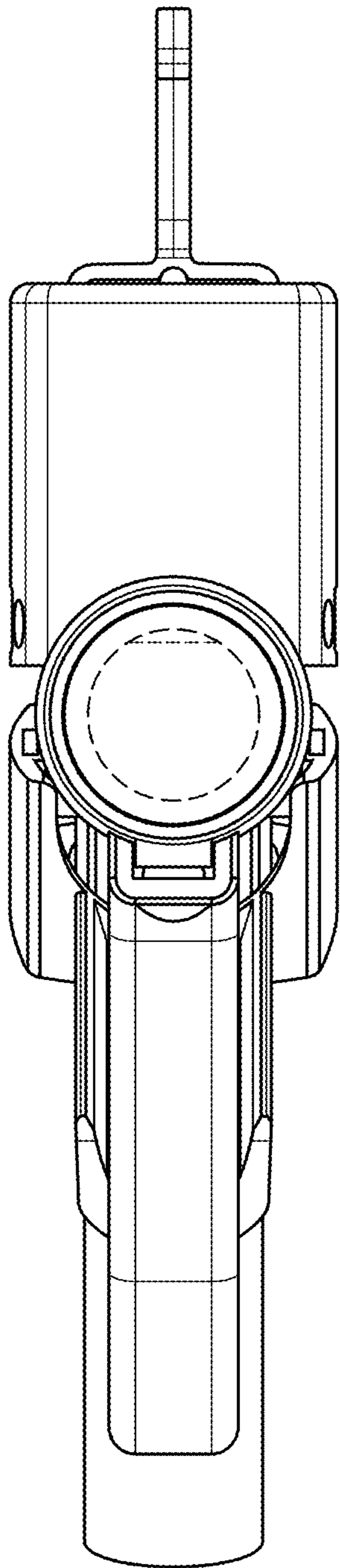


FIG. 6

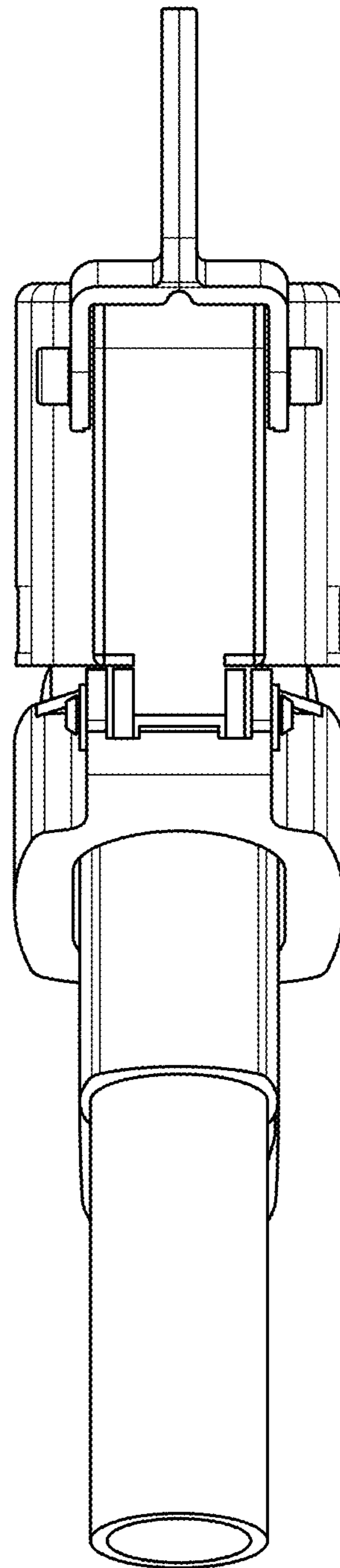


FIG. 7