



US00D910144S

(12) **United States Design Patent** (10) **Patent No.:** **US D910,144 S**  
**Downie et al.** (45) **Date of Patent:** **\*\* Feb. 9, 2021**

(54) **PART OF A FILTER** 6,758,968 B2 \* 7/2004 Ashton ..... C02F 1/481  
 210/222  
 (71) Applicant: **ADEY HOLDINGS (2008) LIMITED,** D516,666 S \* 3/2006 Goran ..... C02F 1/481  
 Cheltenham (GB) D23/207  
 (72) Inventors: **Simon Downie,** Cheltenham (GB); D603,933 S \* 11/2009 Costanzo ..... C02F 1/482  
**Alan Ferry,** Cheltenham (GB); D23/207  
**Kashem Pathan,** Worcester (GB) 8,443,492 B2 \* 5/2013 Racollet ..... F16L 33/035  
 24/20 TT

(73) Assignee: **ADEY HOLDINGS (2008) LIMITED,**  
 Cheltenham (GB)

(\*\*) Term: **15 Years**

(21) Appl. No.: **29/675,441**

(22) Filed: **Jan. 2, 2019**

(30) **Foreign Application Priority Data**

Jul. 4, 2018 (GB) ..... 6038680

(51) **LOC (13) Cl.** ..... **23-01**

(52) **U.S. Cl.**  
 USPC ..... **D23/209**

(58) **Field of Classification Search**  
 USPC ..... D23/207, 209, 200, 2, 205, 210, 259,  
 D23/260, 261; D7/700

CPC .... B01D 35/14; B01D 35/30; B01D 35/0276;  
 B01D 35/027; B01D 29/085; B01D  
 2201/29; B01D 2201/30; B01D 2201/291;  
 B01D 2201/295; B01D 2201/296; B01D  
 2201/298; B01D 2201/301; B01D  
 2201/306; B01D 2201/309; C02F 1/002

See application file for complete search history.

(56) **References Cited**

U.S. PATENT DOCUMENTS

4,367,143 A \* 1/1983 Carpenter ..... C02F 1/482  
 210/222  
 6,023,815 A \* 2/2000 Sauer ..... F16L 33/035  
 24/20 CW

\* cited by examiner

*Primary Examiner* — Sheryl Lane

*Assistant Examiner* — Calvin E Vansant

(74) *Attorney, Agent, or Firm* — Jacob M. Ward; Ward  
 Law Office LLC

(57) **CLAIM**

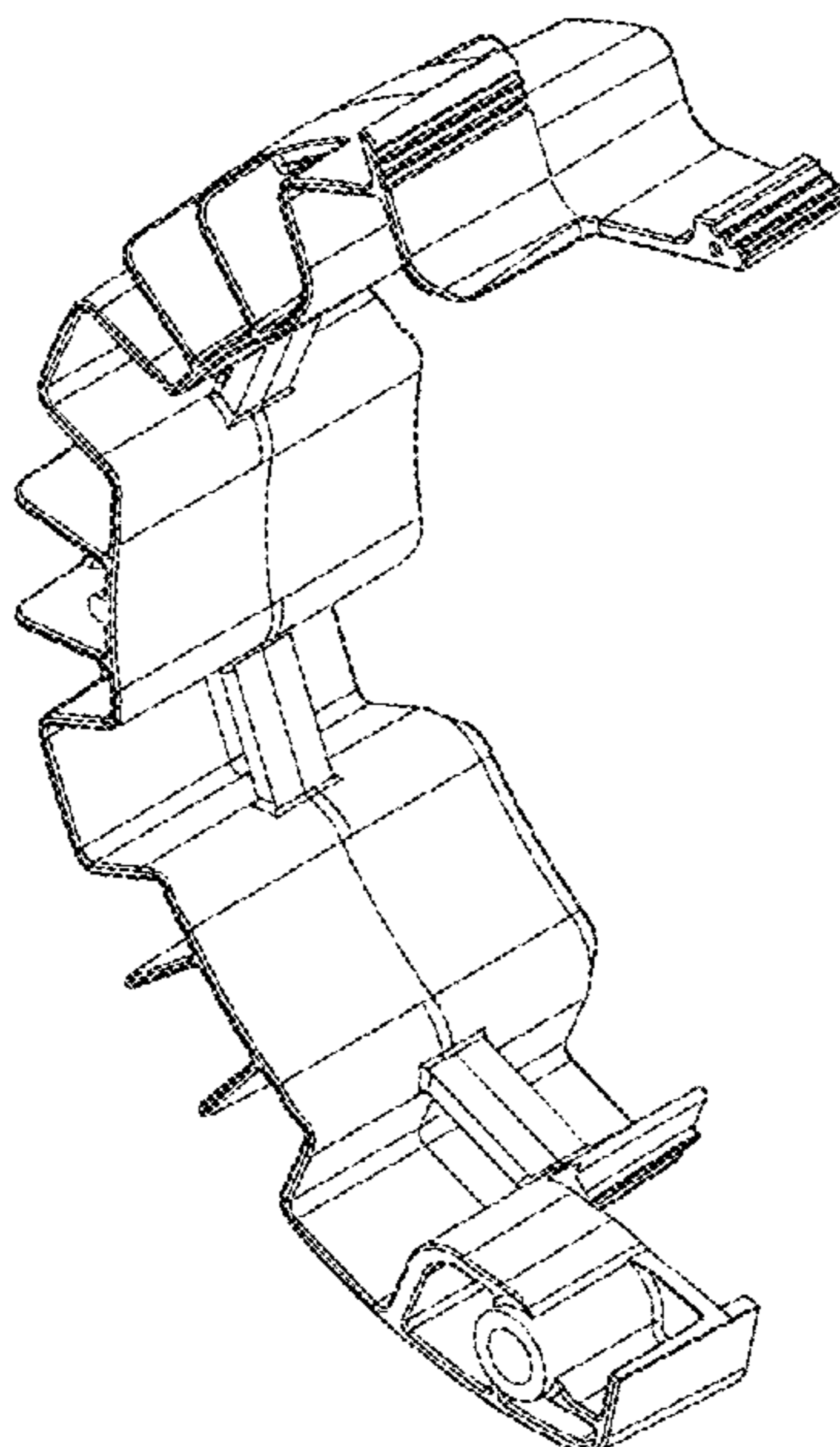
The ornamental design for a part of a filter, as shown and described.

**DESCRIPTION**

FIG. 1 is a top perspective view of a part of a filter;  
 FIG. 2 is a top plan view of the part of a filter shown in FIG. 1;  
 FIG. 3 is a bottom plan view thereof;  
 FIG. 4 is a front elevational view thereof;  
 FIG. 5 is a rear elevational view thereof;  
 FIG. 6 is a left side elevational view thereof; and,  
 FIG. 7 is a right side elevational view thereof.

The ornamental design which is claimed is shown in solid lines in the drawings. The broken lines depict portions of the part of a filter that form no part of the claimed design.

**1 Claim, 7 Drawing Sheets**



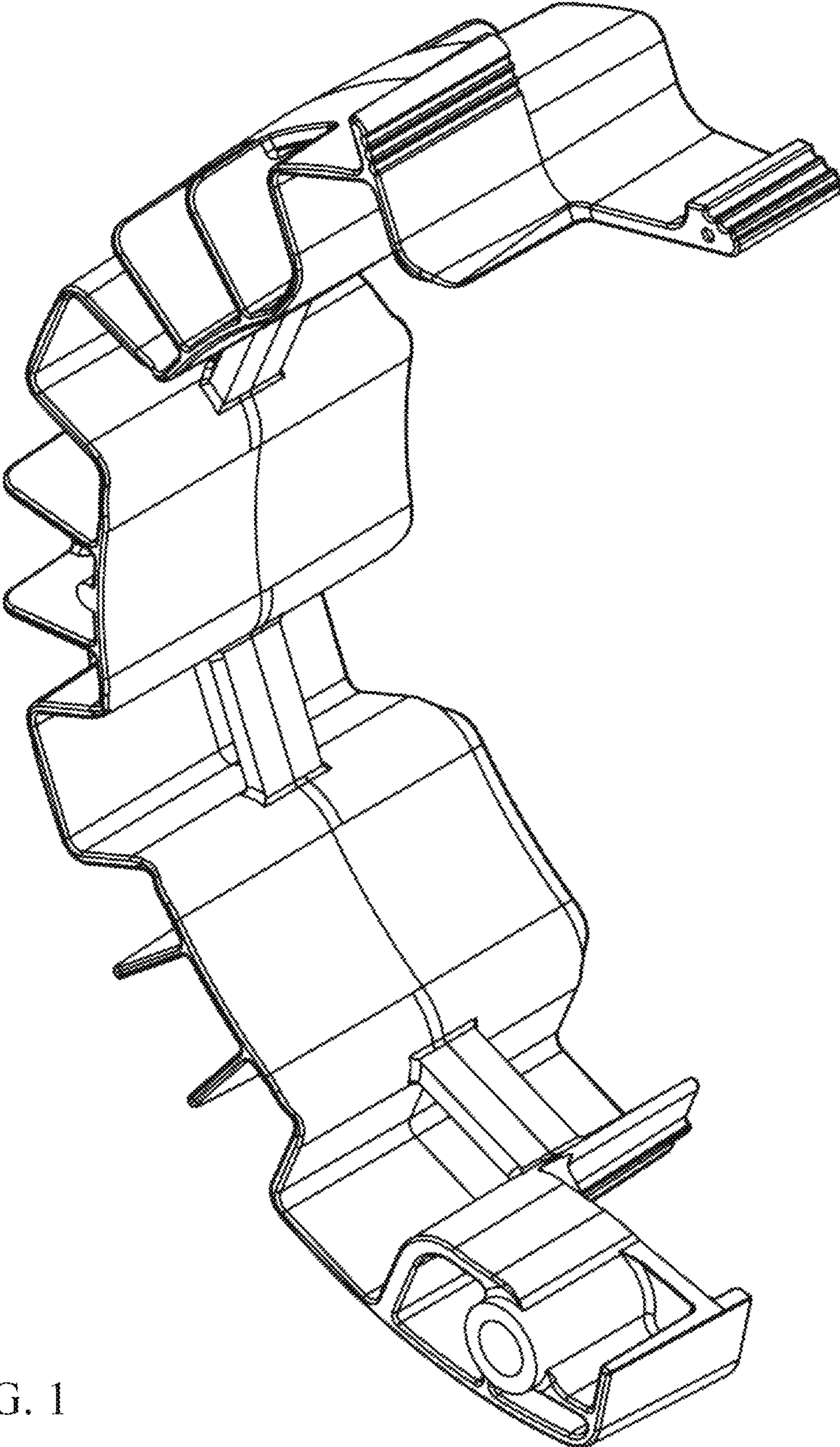


FIG. 1

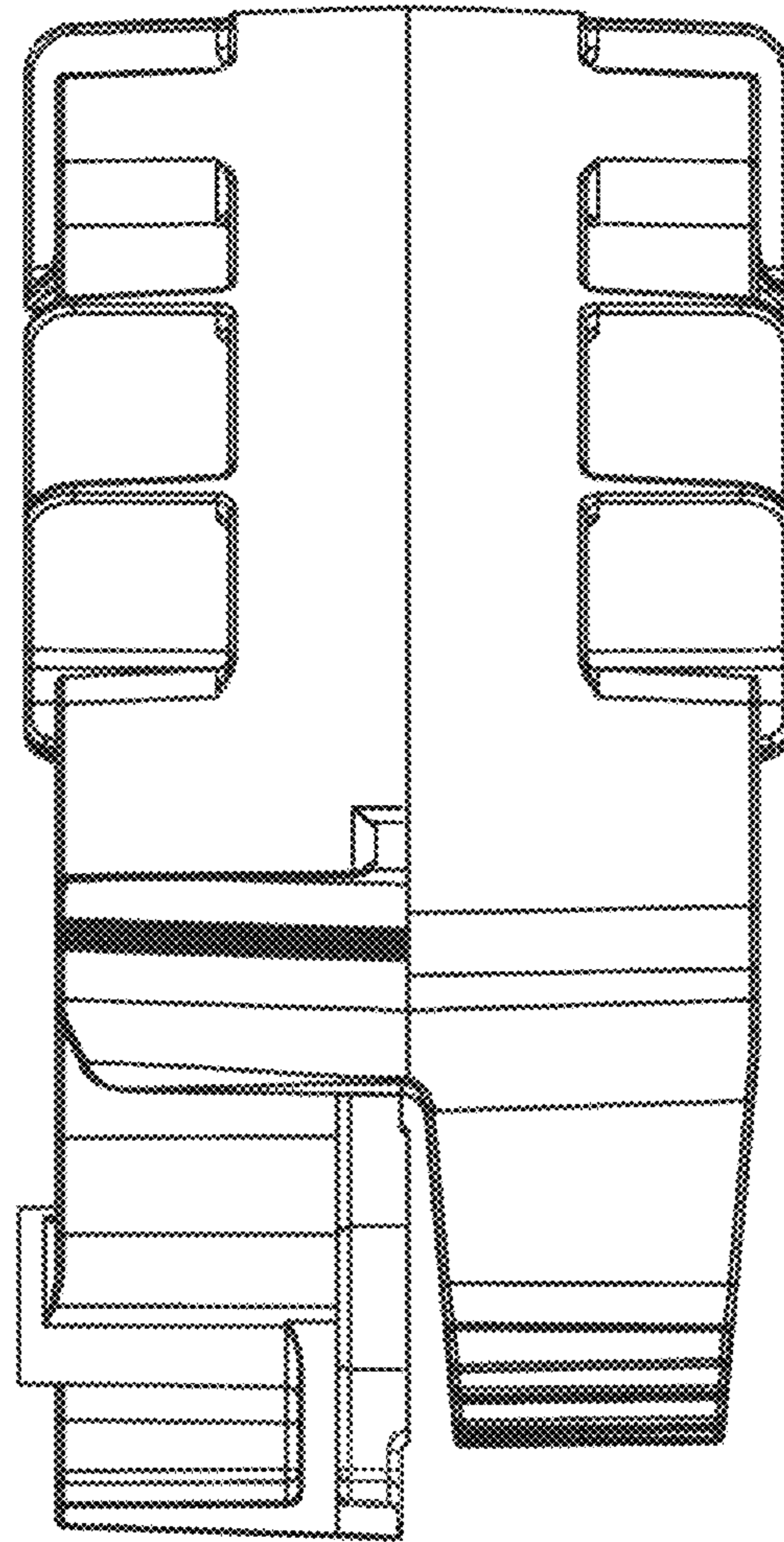


FIG. 2

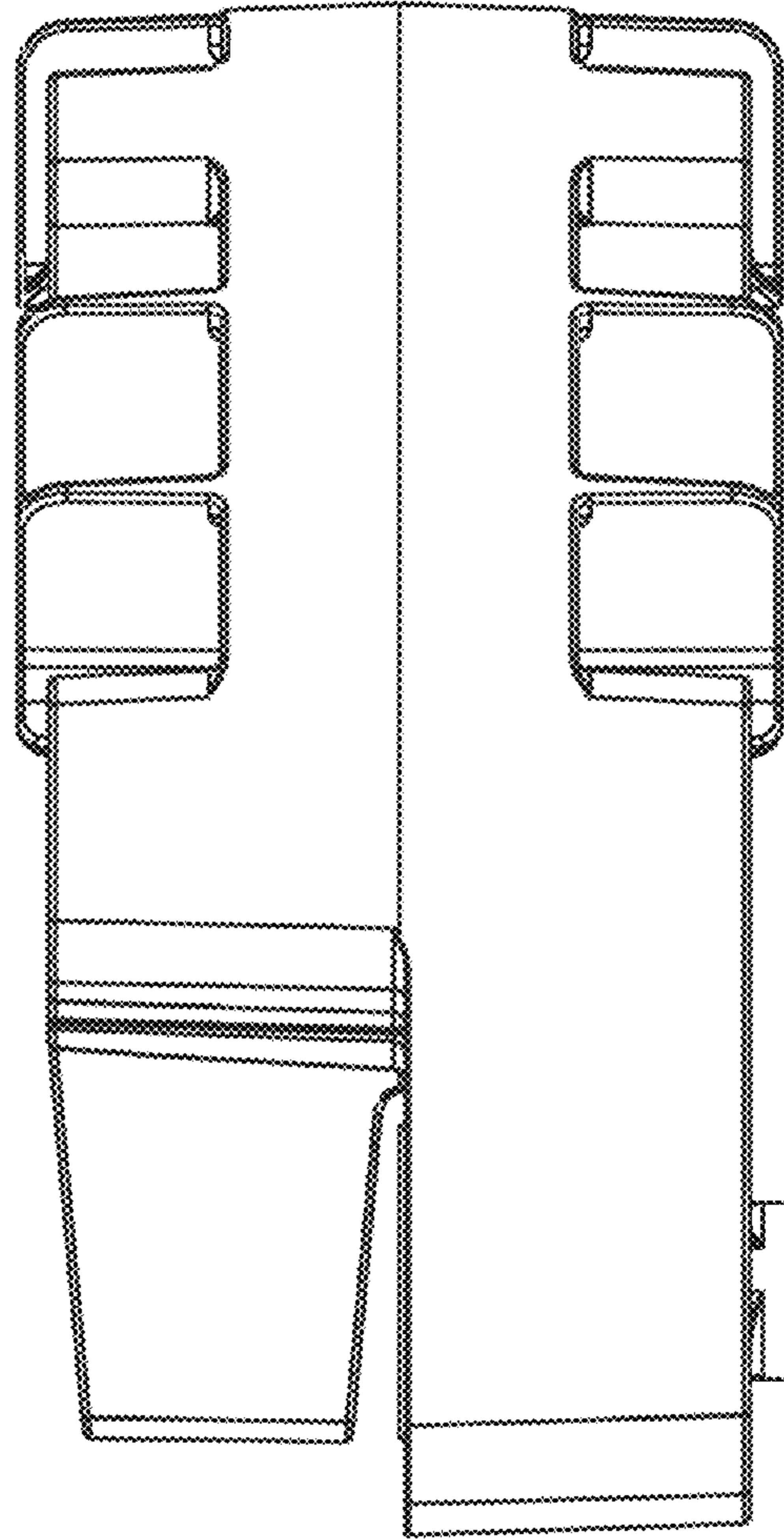


FIG. 3

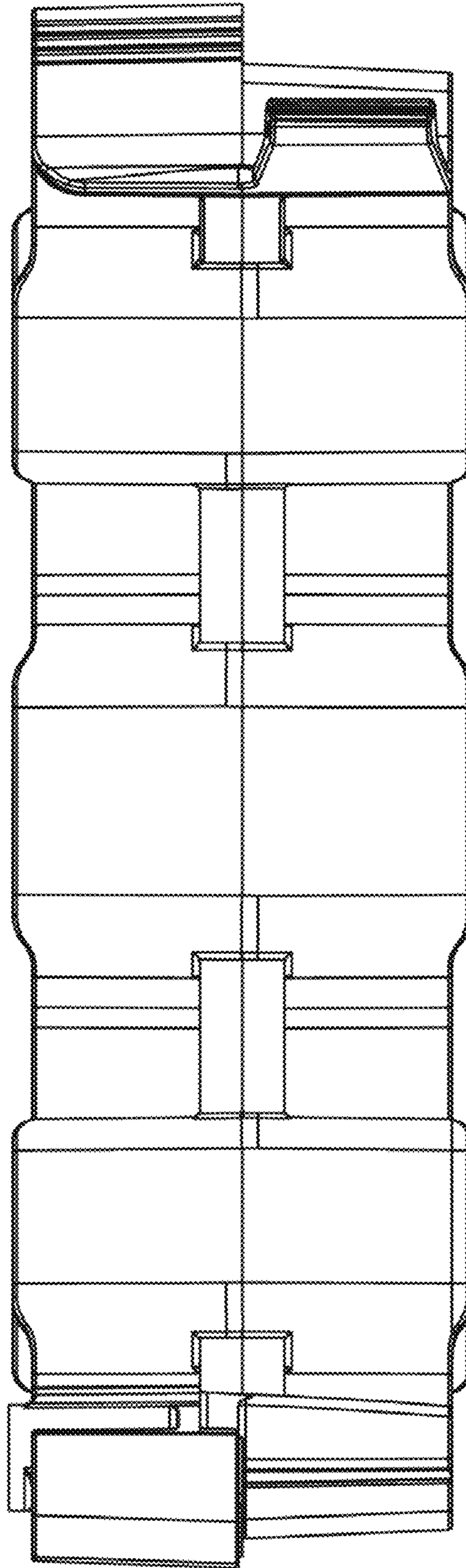


FIG. 4

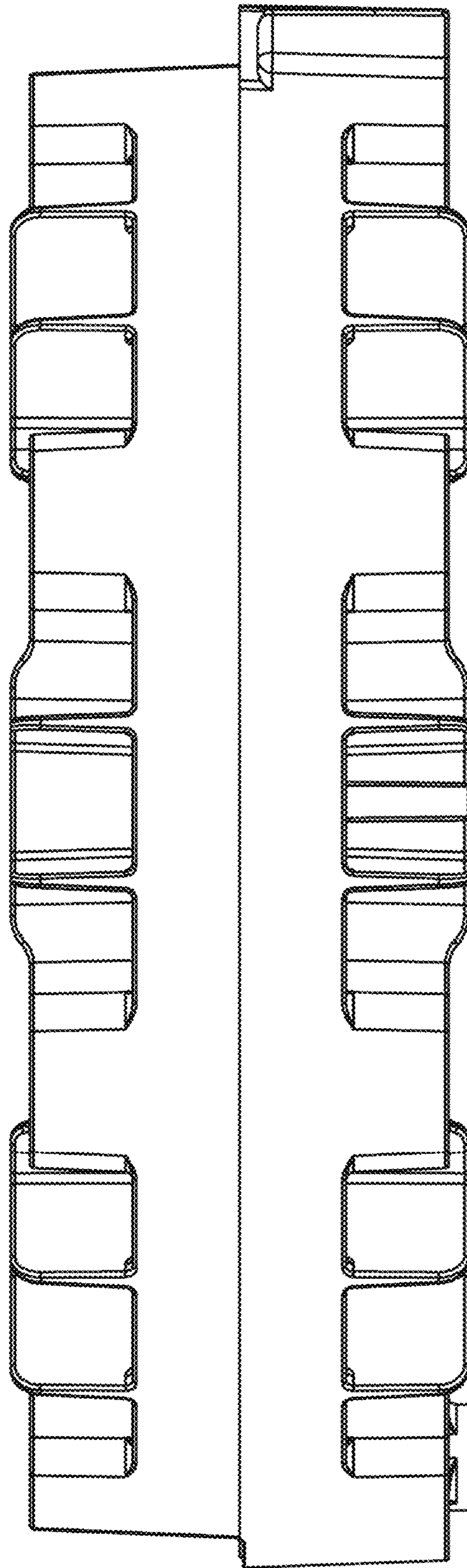


FIG. 5

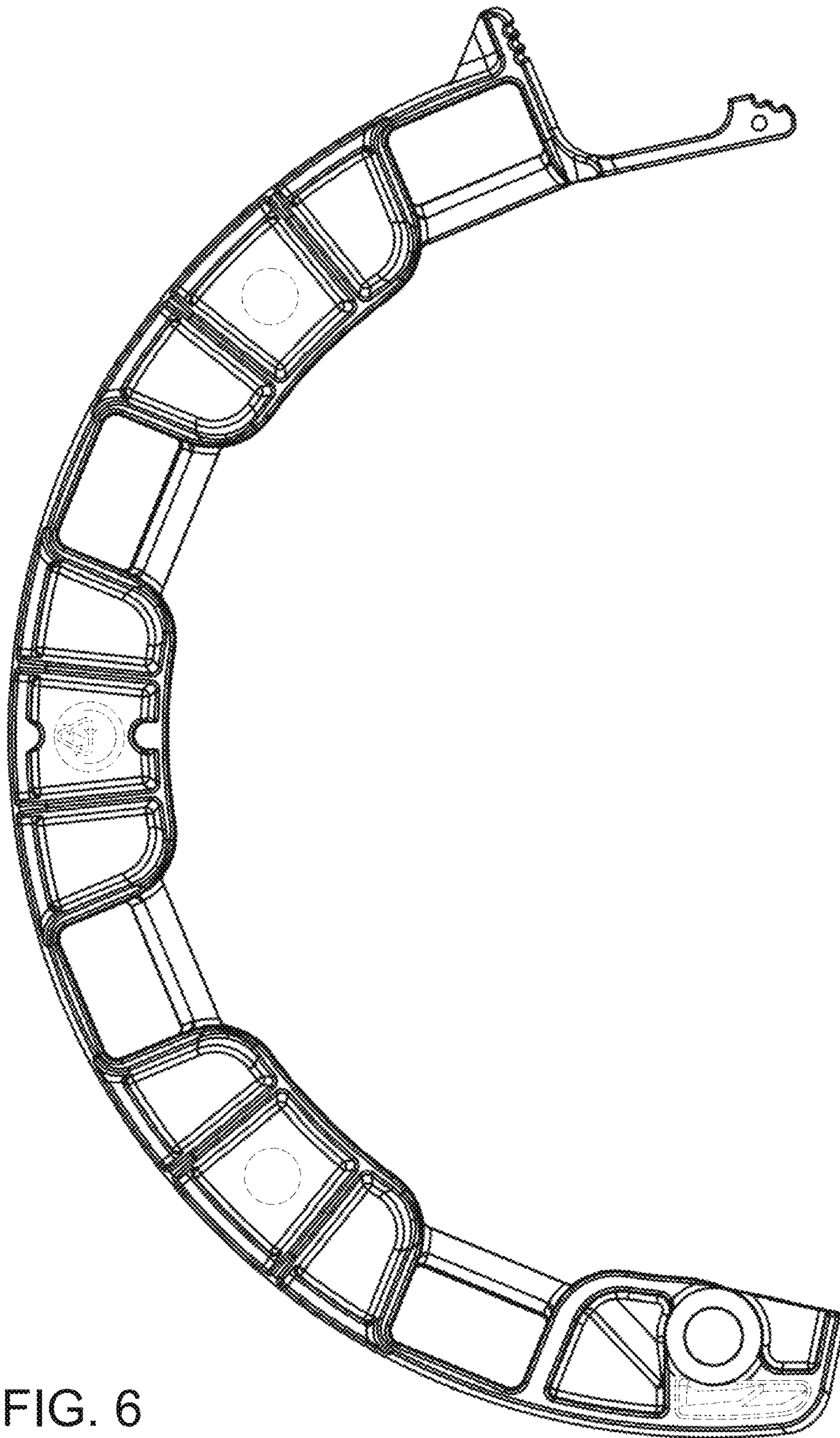


FIG. 6

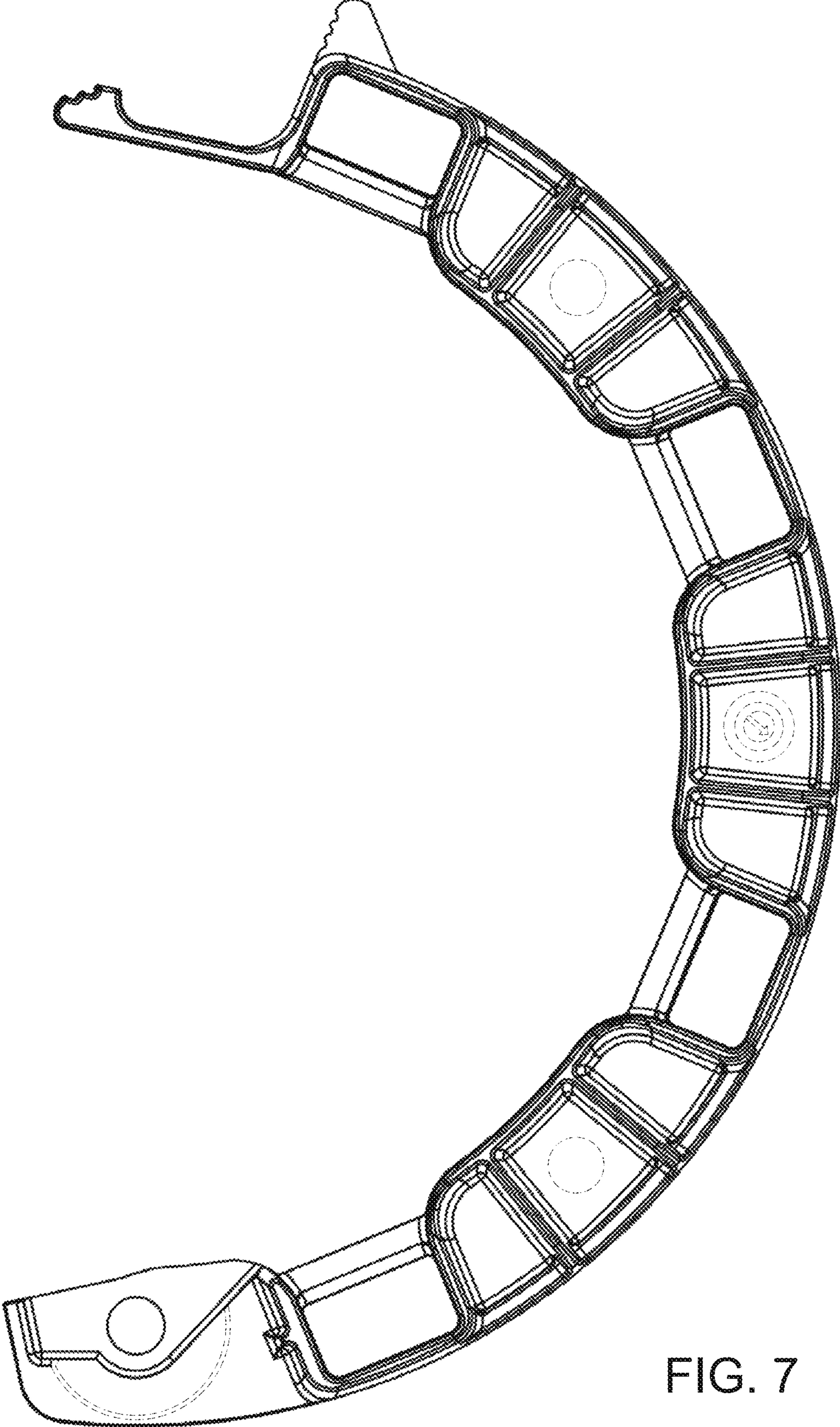


FIG. 7