



US00D910140S

(12) **United States Design Patent**
Rick

(10) **Patent No.:** **US D910,140 S**
(45) **Date of Patent:** **** Feb. 9, 2021**

- (54) **HURLING DEVICE FOR CLAY PIGEONS**
- (71) Applicant: **Ohmstede Rick**, Sugar Land, TX (US)
- (72) Inventor: **Ohmstede Rick**, Sugar Land, TX (US)
- (**) Term: **15 Years**
- (21) Appl. No.: **29/707,124**
- (22) Filed: **Sep. 26, 2019**
- (51) **LOC (13) Cl.** **22-04**
- (52) **U.S. Cl.**
USPC **D22/114**
- (58) **Field of Classification Search**
USPC D22/113-114; D21/300, 301, 394, 454,
D21/570, 707, 715, 722
CPC F41J 9/16; F41J 9/18; F41J 9/28
See application file for complete search history.

- D622,804 S * 8/2010 Minneman D22/114
- 8,539,939 B2 * 9/2013 Minneman A01K 15/025
124/5
- D758,511 S * 6/2016 Williams D21/722

FOREIGN PATENT DOCUMENTS

- FR 2696538 A1 * 4/1994 F41J 9/30

* cited by examiner

Primary Examiner — Michael A. Pratt

(74) *Attorney, Agent, or Firm* — Stan Collier, Esq.

(56) **References Cited**

U.S. PATENT DOCUMENTS

- D154,865 S * 8/1949 Mellen D22/113
- D163,947 S * 7/1951 Gulde D22/113
- 4,076,004 A * 2/1978 Huelskamp F41J 9/28
124/5
- D249,815 S * 10/1978 Huelskamp D21/722
- 4,233,952 A * 11/1980 Perkins F41B 3/00
124/5
- 4,974,574 A * 12/1990 Cutlip F41B 3/00
124/5
- 5,390,652 A * 2/1995 Minneman F41J 9/28
124/5
- D374,702 S * 10/1996 Parks D22/113
- D524,901 S * 7/2006 Buboltz D22/114

(57) **CLAIM**

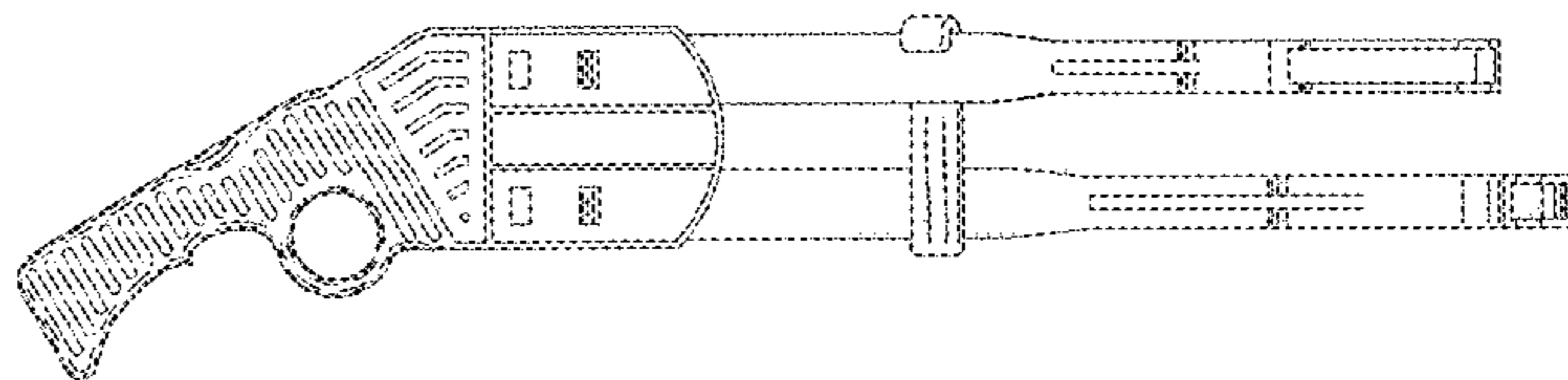
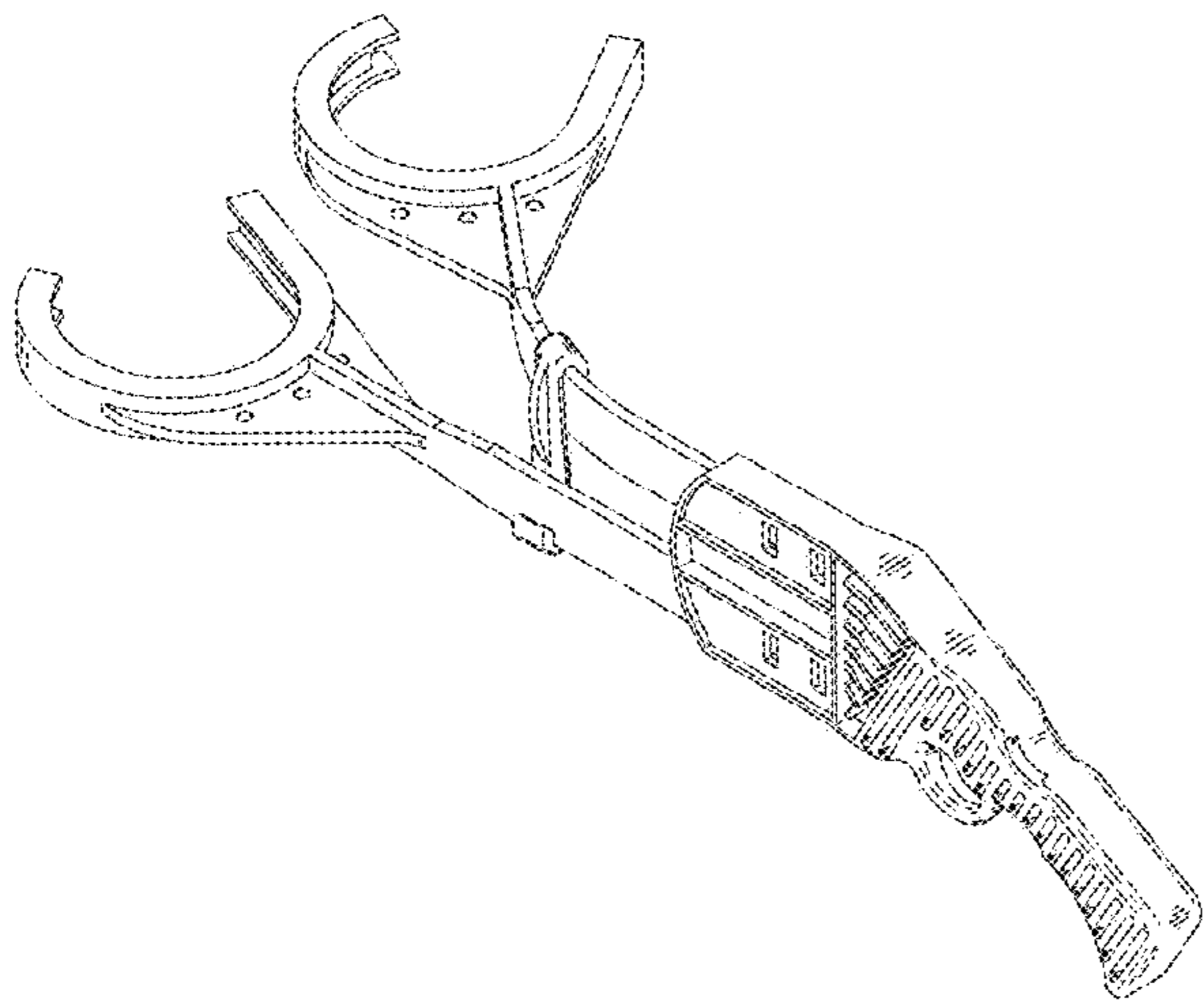
I claim the ornamental design for a hurling device for clay pigeons, as shown and described.

DESCRIPTION

Cross-Reference to related Applications: Ser. No. 29/620, 105, titled, "Clay Pigeon Hand Launcher", by the same inventor, abandoned.

FIG. 1 is a perspective view from the left of a hurling device for clay pigeons showing my new design; FIG. 2 is a left side elevation view thereof; FIG. 3 is a right side elevation view thereof; FIG. 4 is a top plan view thereof; FIG. 5 is a bottom plan view thereof; FIG. 6 is a rear elevation view thereof; and, FIG. 7 is a front elevation view.

1 Claim, 7 Drawing Sheets



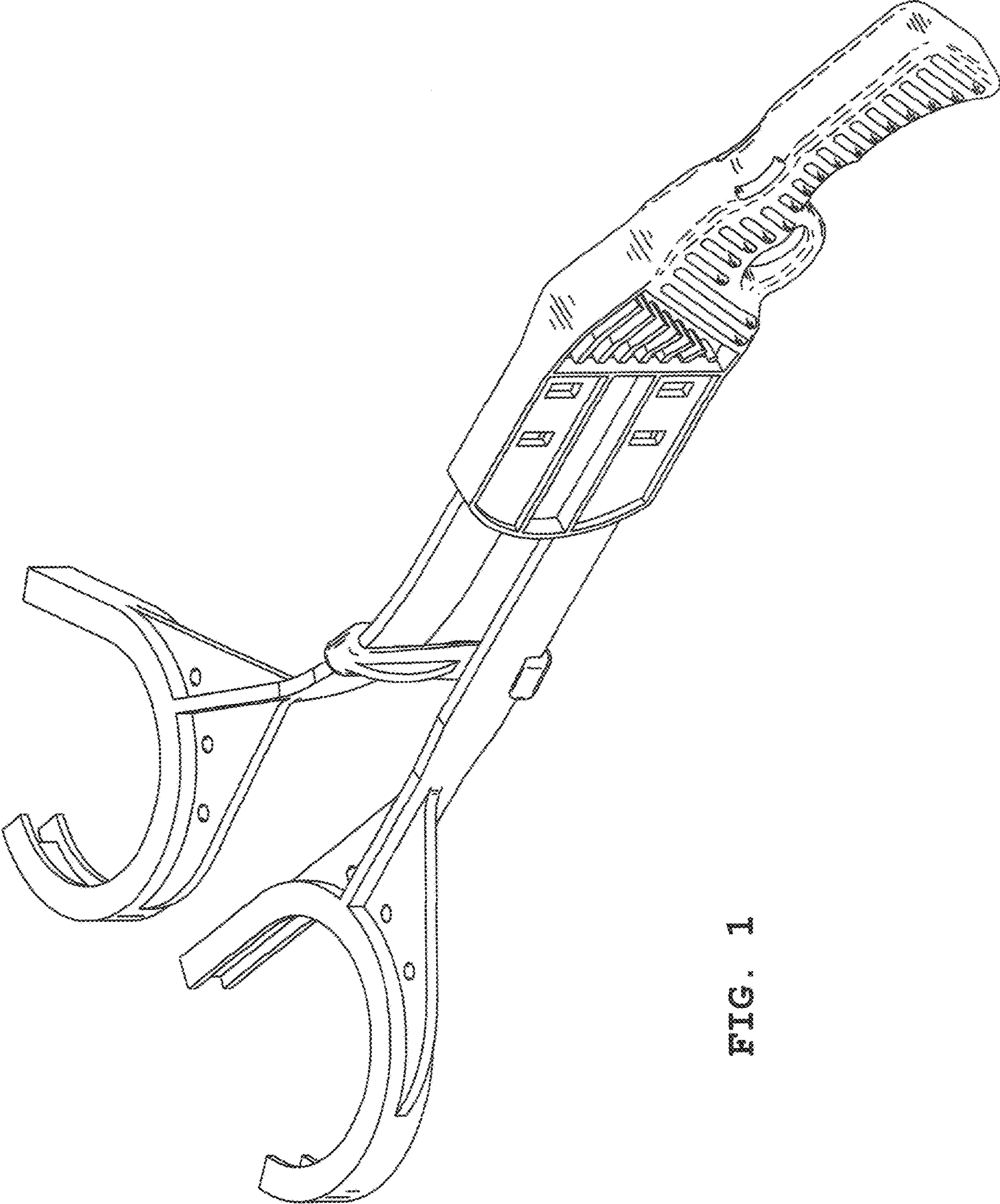


FIG. 1

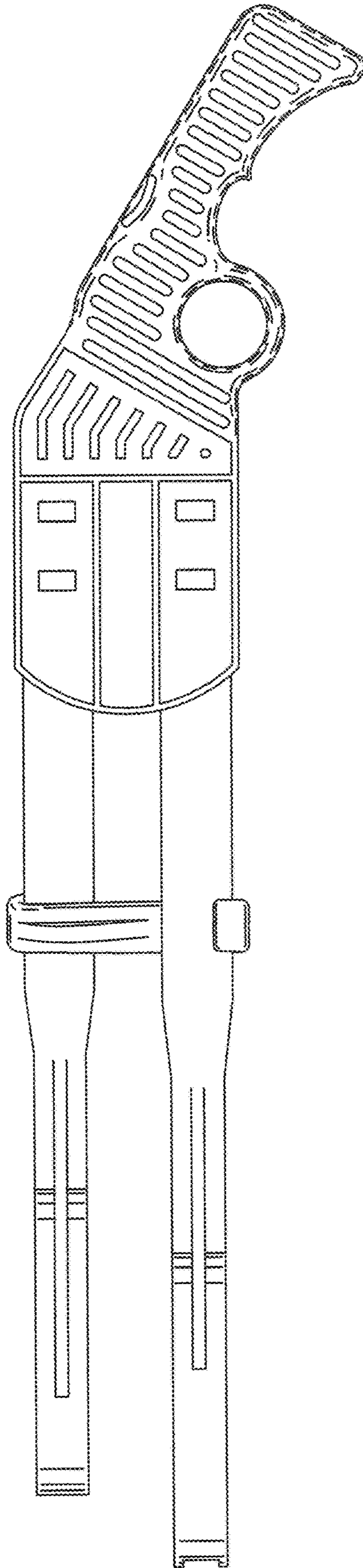


FIG. 2

FIG. 3

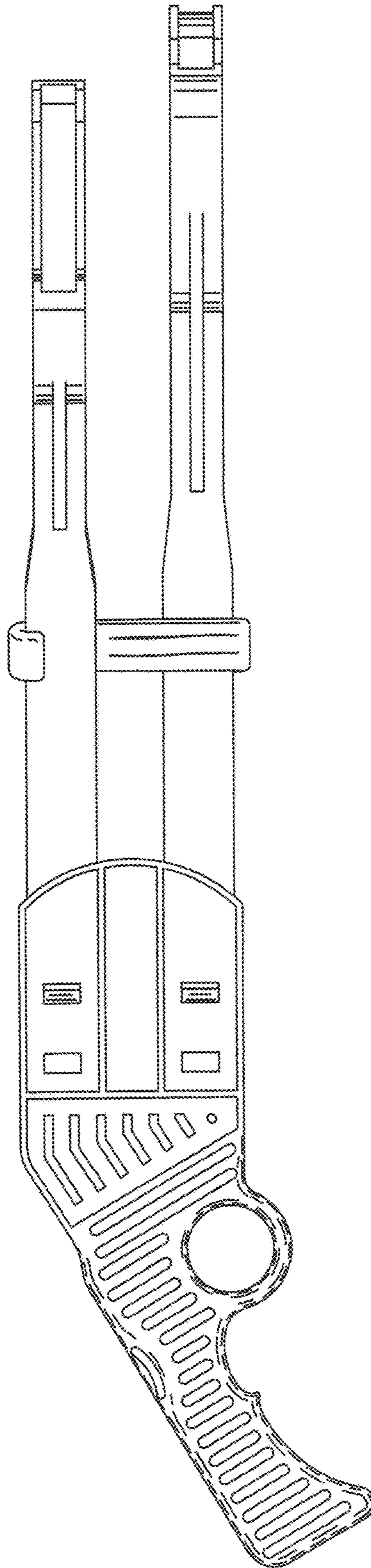


FIG. 4

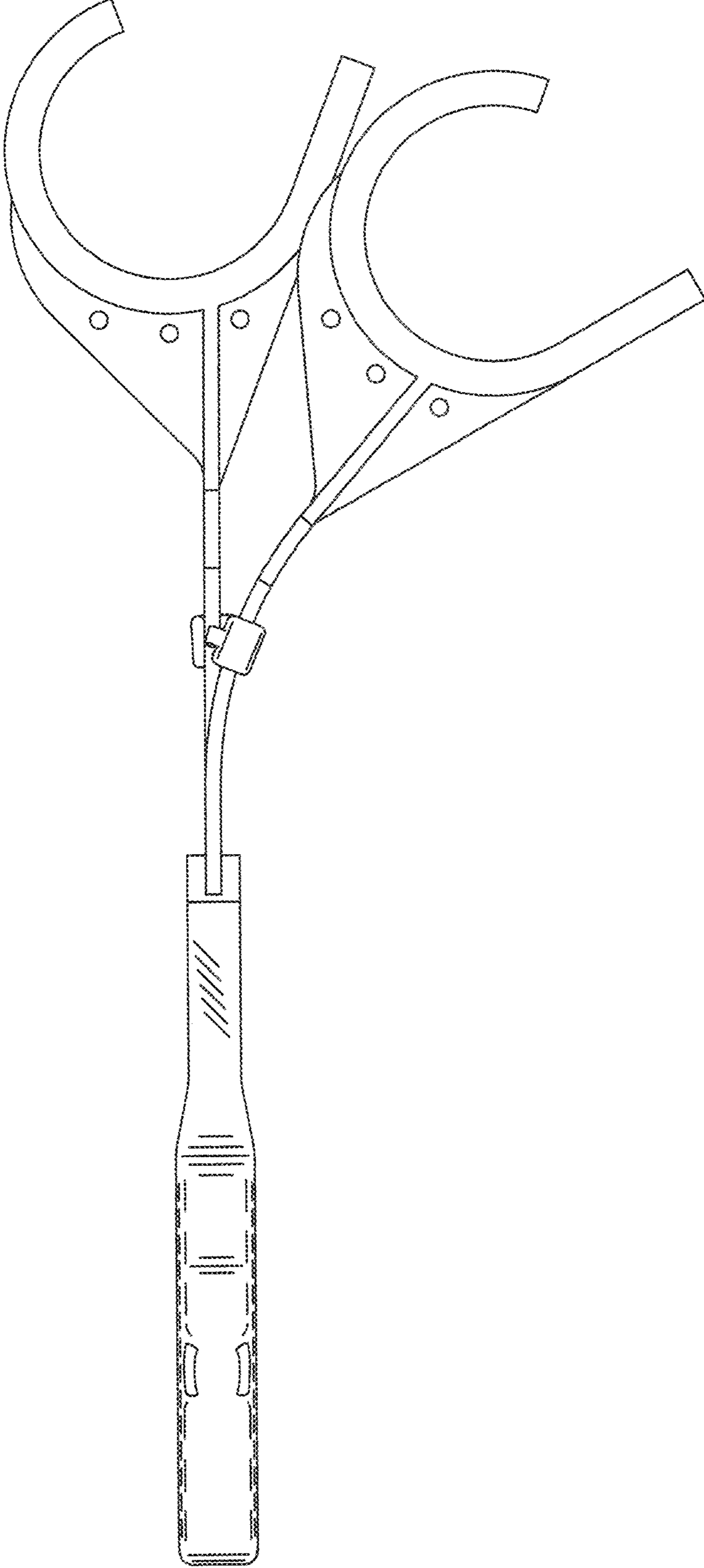


FIG. 5

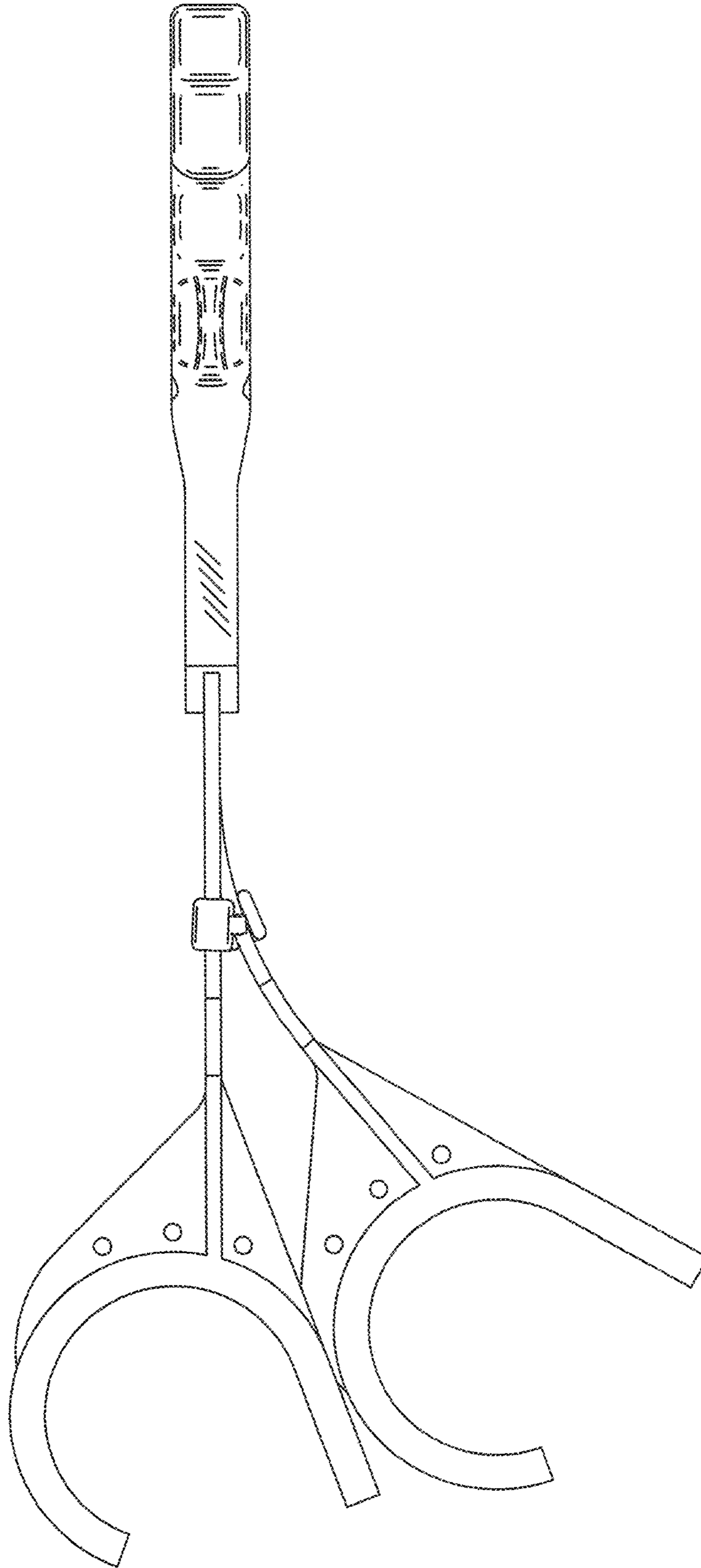
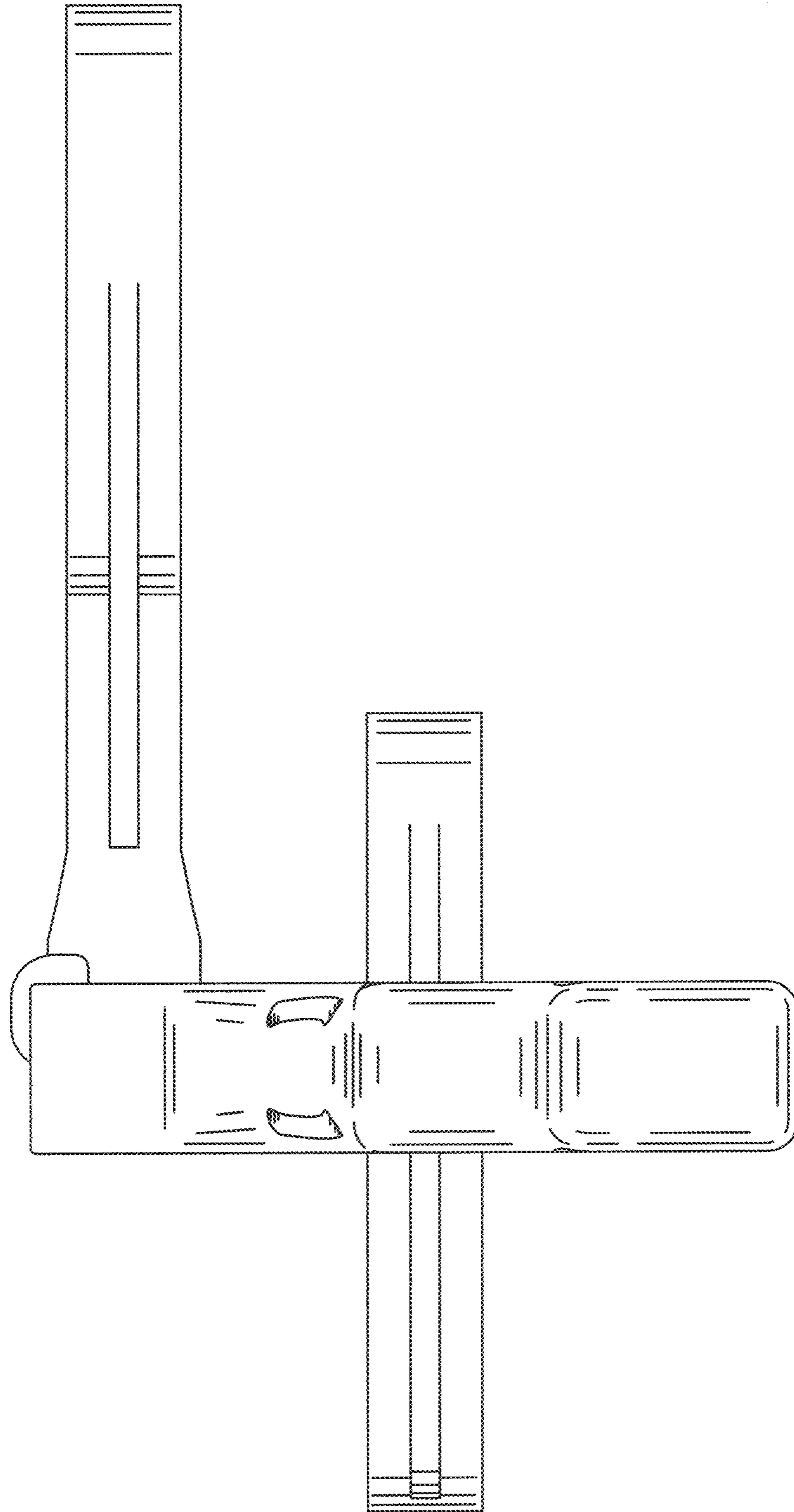


FIG. 6



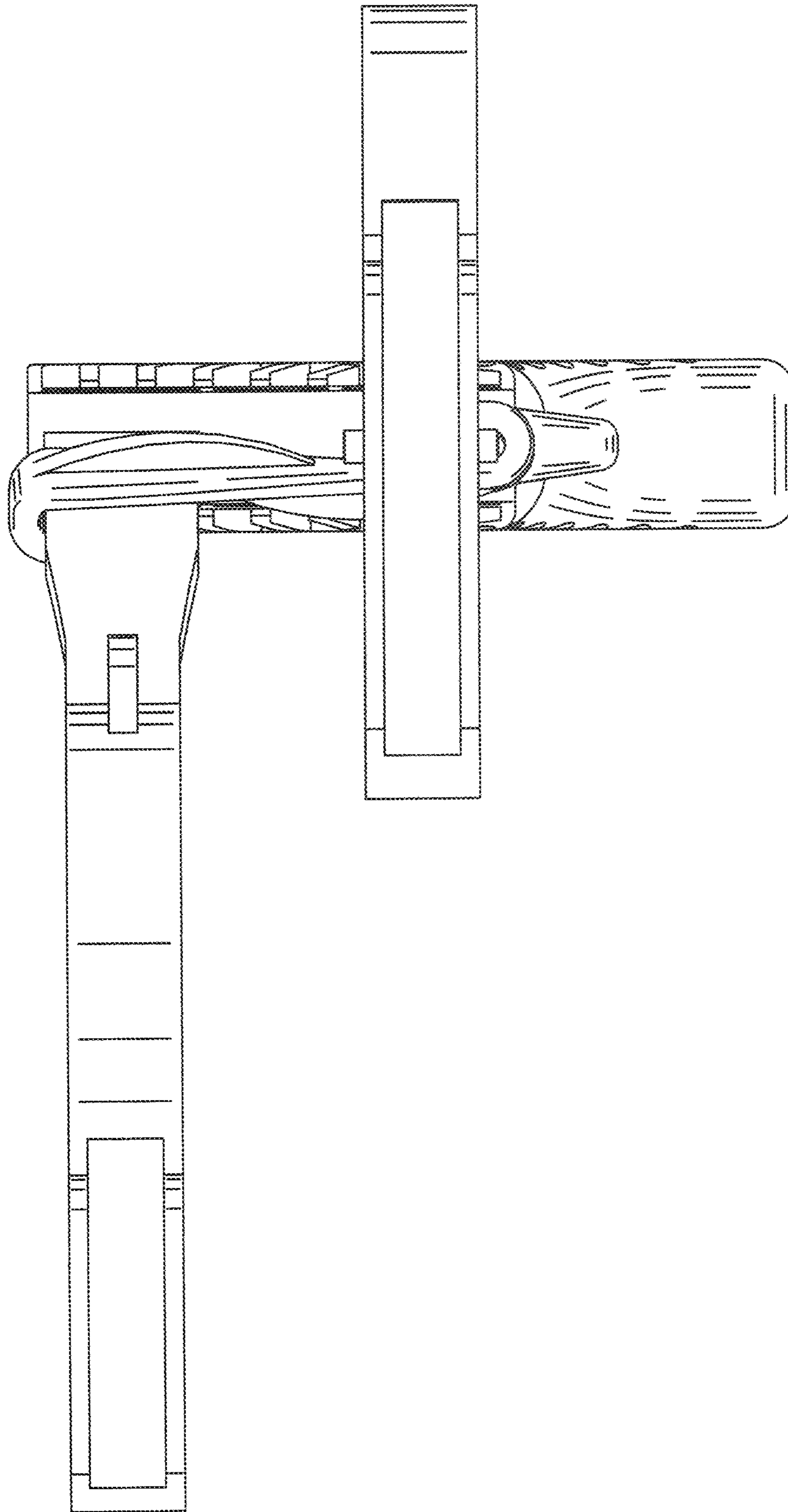


FIG. 7