



US00D910139S

(12) **United States Design Patent** (10) **Patent No.:** **US D910,139 S**  
**Chin** (45) **Date of Patent:** **\*\* Feb. 9, 2021**

(54) **CARBINE PISTOL BUFFER TUBE**  
(71) Applicant: **David Chin**, Irvine, CA (US)  
(72) Inventor: **David Chin**, Irvine, CA (US)

(\*\*) Term: **15 Years**

(21) Appl. No.: **29/656,939**

(22) Filed: **Jul. 17, 2018**

(51) **LOC (13) Cl.** ..... **22-01**

(52) **U.S. Cl.**  
USPC ..... **D22/108**

(58) **Field of Classification Search**  
USPC ..... D22/100, 101, 103, 104, 105, 108, 109,  
D22/110, 111, 199; D21/567, 573, 574,  
D21/575  
CPC ..... F41A 23/02; F41A 35/00; F41C 23/04;  
F41C 23/12; F41C 27/22  
See application file for complete search history.

(56) **References Cited**

**U.S. PATENT DOCUMENTS**

|           |      |         |             |       |                        |
|-----------|------|---------|-------------|-------|------------------------|
| 7,398,616 | B1 * | 7/2008  | Weir        | ..... | F41C 23/04<br>42/71.01 |
| D585,518  | S *  | 1/2009  | Brittingham | ..... | D22/108                |
| D598,066  | S *  | 8/2009  | Brittingham | ..... | D22/108                |
| 7,984,580 | B1 * | 7/2011  | Giauque     | ..... | F41C 23/14<br>42/73    |
| D717,906  | S *  | 11/2014 | Montes      | ..... | D22/108                |
| D720,420  | S *  | 12/2014 | Chvala      | ..... | D22/108                |
| D737,924  | S *  | 9/2015  | Montes      | ..... | D22/108                |
| D738,453  | S *  | 9/2015  | Montes      | ..... | D22/108                |
| D738,985  | S *  | 9/2015  | Montes      | ..... | D22/108                |
| 9,410,763 | B2 * | 8/2016  | Colt        | ..... | F41C 23/04             |
| 9,551,549 | B1 * | 1/2017  | Chvala      | ..... | F41C 23/14             |
| D780,875  | S *  | 3/2017  | Sylvester   | ..... | D22/108                |
| D781,392  | S *  | 3/2017  | Zayatz      | ..... | D22/108                |

|              |      |         |           |       |                      |
|--------------|------|---------|-----------|-------|----------------------|
| D798,984     | S *  | 10/2017 | Roberts   | ..... | D22/108              |
| 9,927,192    | B1 * | 3/2018  | Sylvester | ..... | F41A 3/78            |
| D814,597     | S *  | 4/2018  | Thornton  | ..... | D22/108              |
| 2013/0180150 | A1 * | 7/2013  | Dueck     | ..... | F41A 21/325<br>42/90 |
| 2019/0063869 | A1 * | 2/2019  | Keller    | ..... | F41C 23/10           |

**OTHER PUBLICATIONS**

“New Strike Industries Short Buffer Tubes for AR Pistols” [online]. Hrachya H. [Published on Aug. 22, 2018]. Retrieved from the Internet: <https://www.thefirearmblog.com/blog/2018/08/22/new-strike-industries-compact-buffer-tubes-for-ar-pistols/>.\*

\* cited by examiner

*Primary Examiner* — Khawaja Anwar  
*Assistant Examiner* — Mojtaba Tehrani  
(74) *Attorney, Agent, or Firm* — Kafantaris Law Offices;  
Theo Kafantaris

(57) **CLAIM**

I claim the ornamental design for a carbine pistol buffer tube, as shown and described.

**DESCRIPTION**

FIG. 1 is a front view of the carbine pistol buffer tube showing my new design;  
FIG. 2 is a top-front perspective view thereof;  
FIG. 3 is a left side view thereof, the right side being a mirror image;  
FIG. 4 is a top view thereof;  
FIG. 5 is a bottom view thereof;  
FIG. 6 is a rear view thereof; and,  
FIG. 7 is a bottom-rear perspective view thereof.  
The broken lines in the drawings depict unclaimed portions of the buffer tube only and form no part of the claimed design.

**1 Claim, 3 Drawing Sheets**

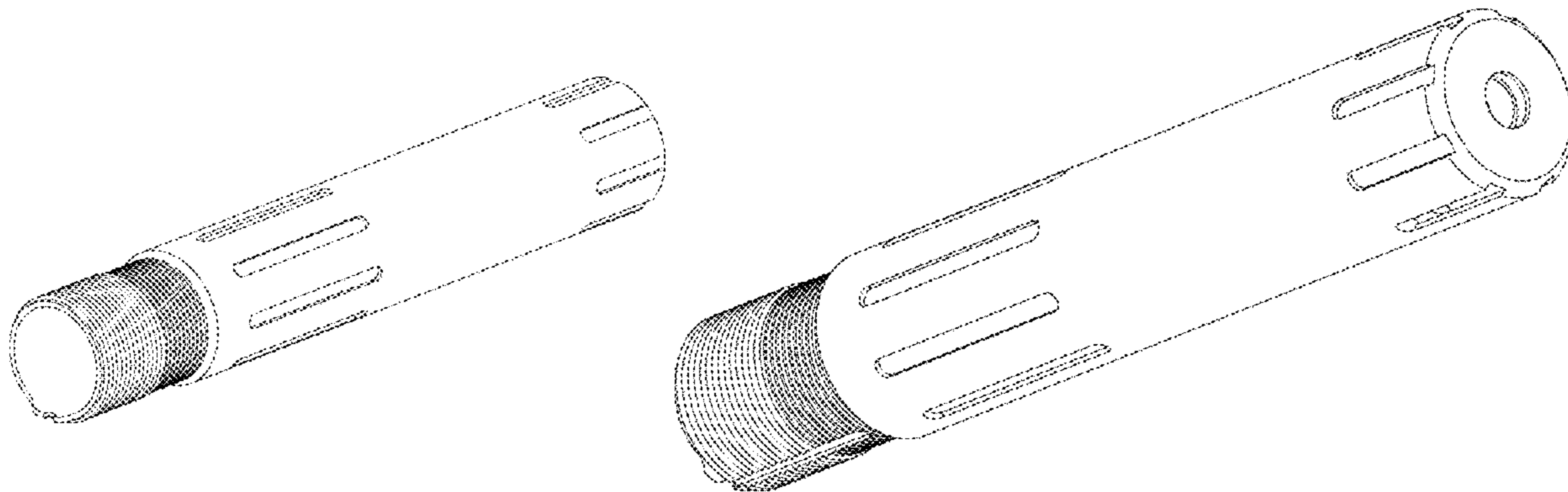


FIG. 1

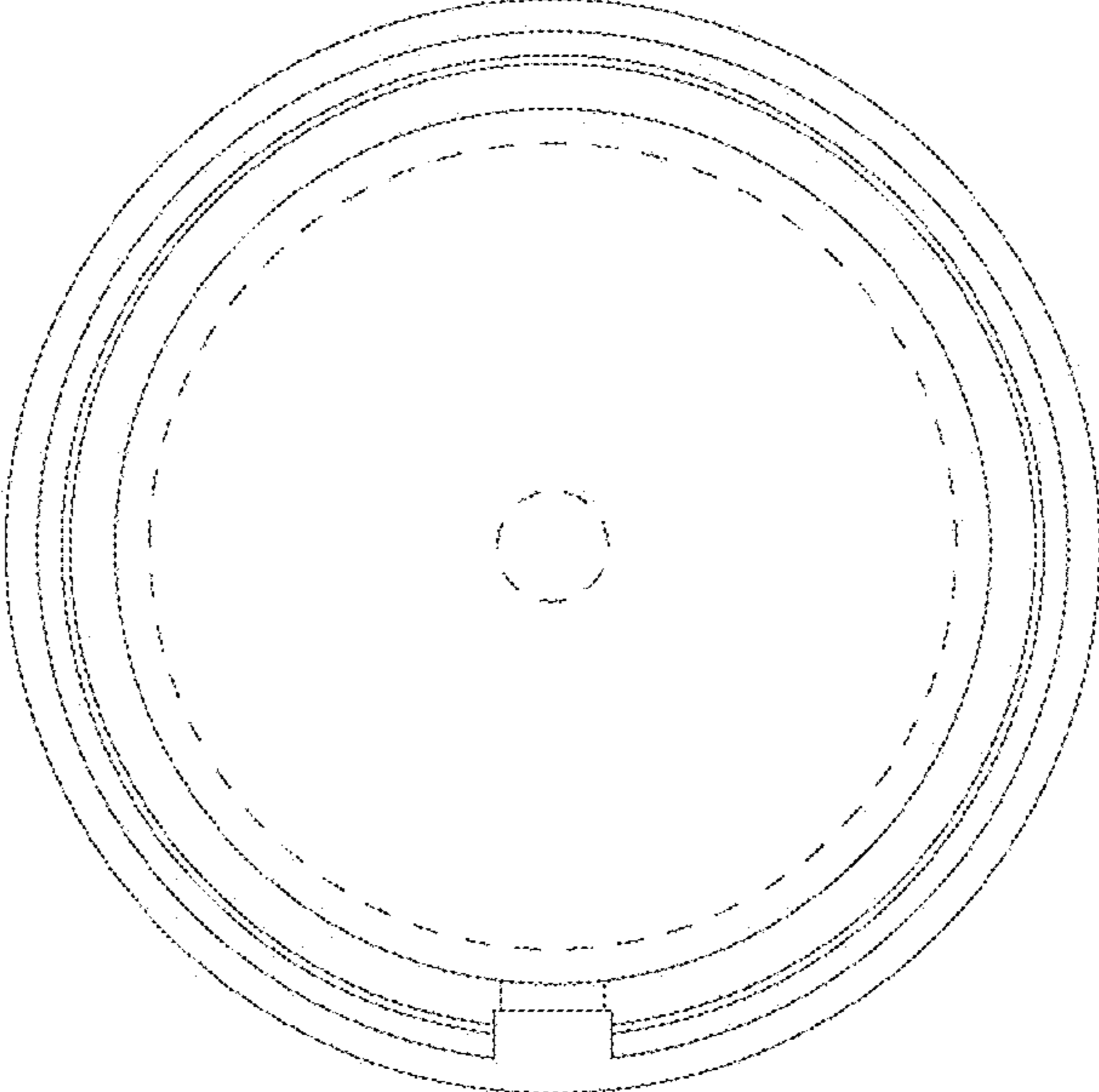


FIG. 2

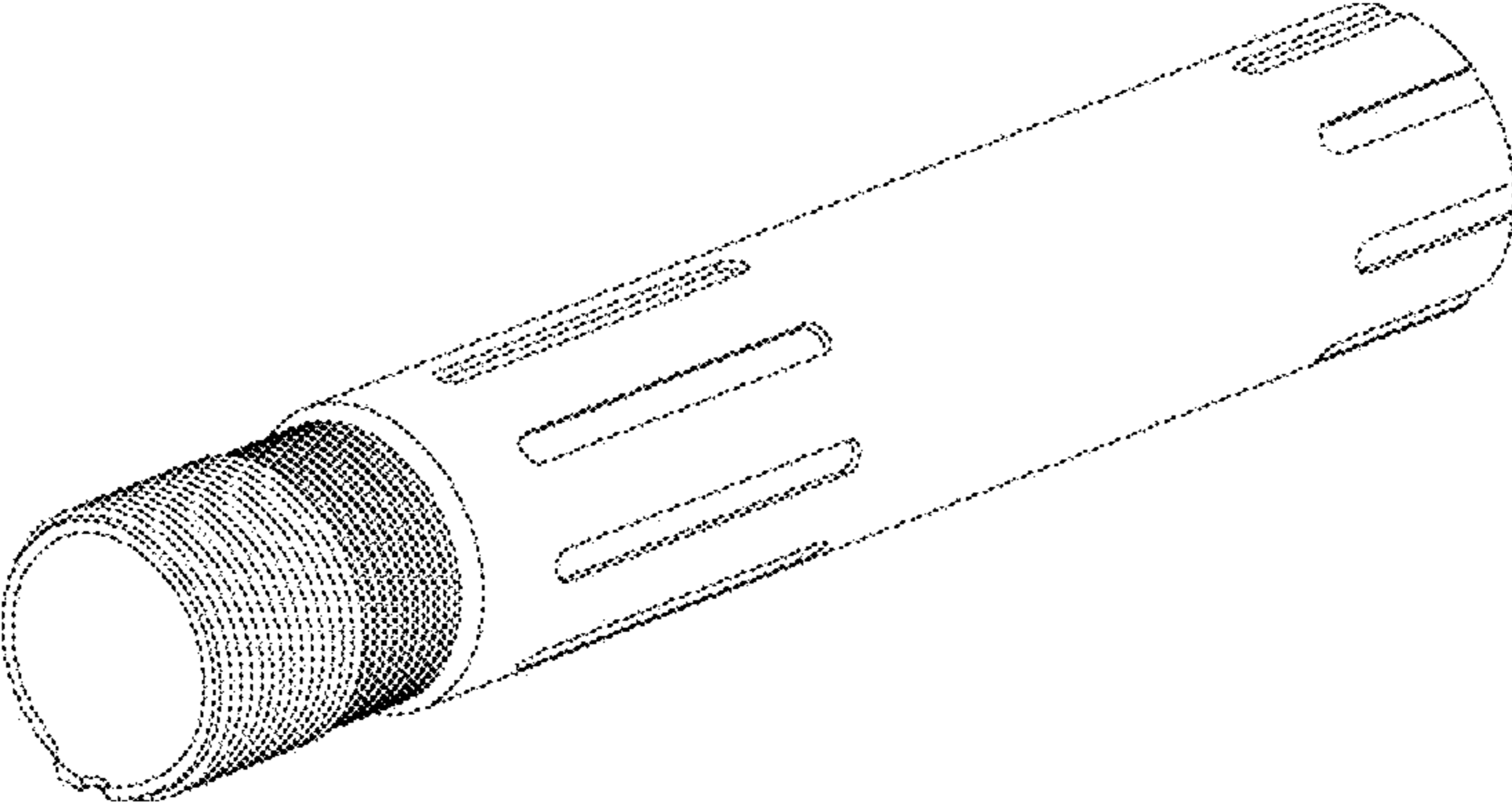


FIG. 3

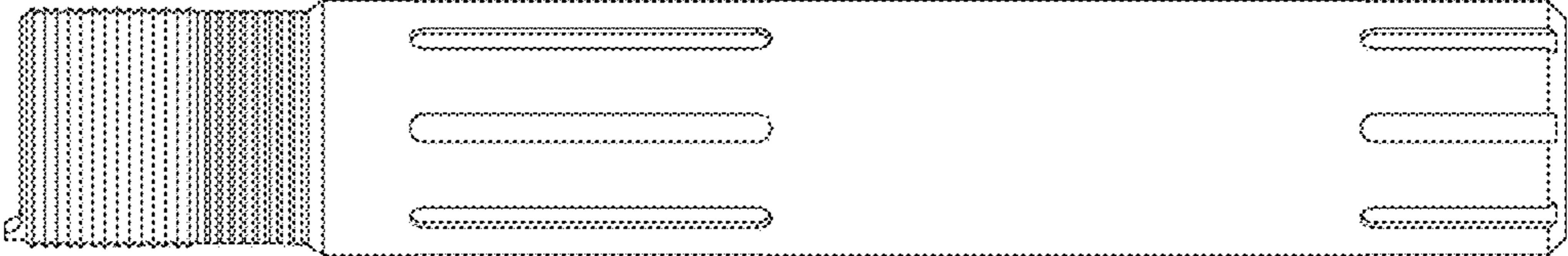


FIG. 4

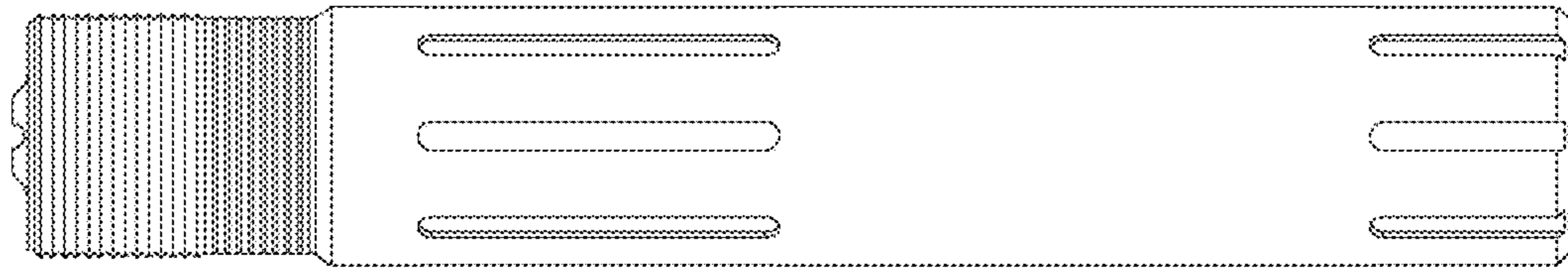


FIG. 5

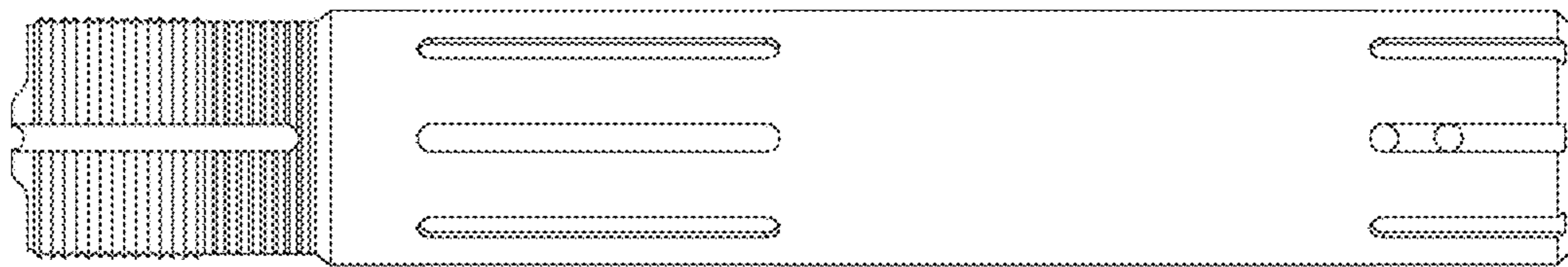


FIG. 6

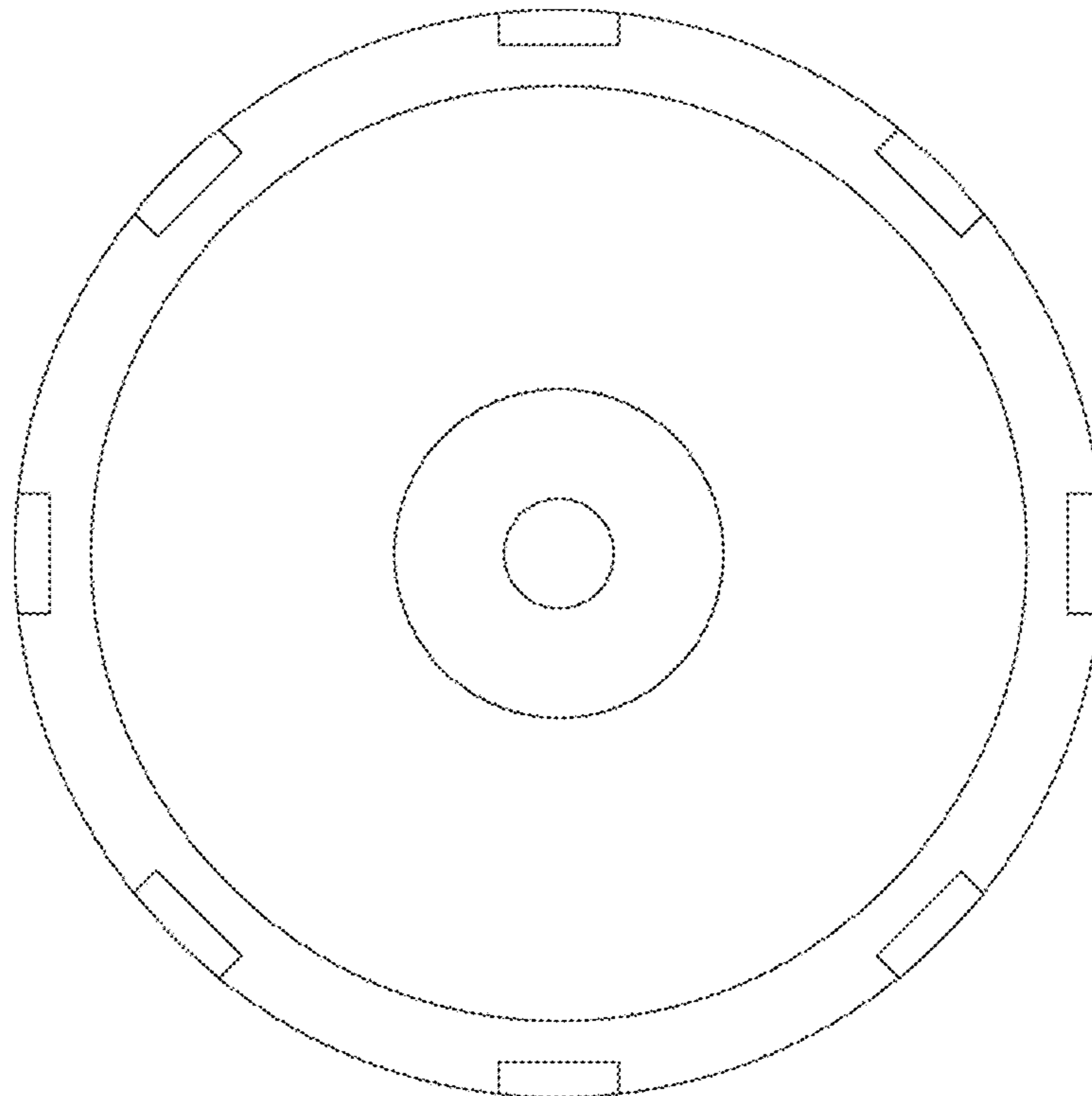


FIG. 7

