



US00D910138S

(12) **United States Design Patent** (10) **Patent No.:** **US D910,138 S**  
**Chen** (45) **Date of Patent:** **\*\* Feb. 9, 2021**

(54) **BEACH TENT**  
(71) Applicant: **GUANGZHOU SIDIANJIN TRADING CO., LTD.**, Guangzhou (CN)  
(72) Inventor: **Haiming Chen**, Guangzhou (CN)  
(73) Assignee: **GUANGZHOU SIDIANJIN TRADING CO., LTD.**, Guangzhou (CN)

D822,141 S 7/2018 Xiao  
D822,783 S 7/2018 Xu  
D823,968 S 7/2018 Xiao  
D824,474 S 7/2018 Xiao  
D824,475 S 7/2018 Xu  
D831,773 S 10/2018 Huang  
D841,107 S 2/2019 Zhu  
D870,835 S 12/2019 Xiao  
D872,208 S 1/2020 Zhu  
D872,209 S 1/2020 Zhu  
D872,210 S 1/2020 Zhu  
D872,818 S 1/2020 Zhu  
D879,231 S 3/2020 Zhu  
2014/0076372 A1\* 3/2014 Jin ..... E04H 15/46  
135/139  
2018/0220751 A1\* 8/2018 Jin ..... E04H 15/32

(\*\*) Term: **15 Years**

(21) Appl. No.: **29/736,462**

(22) Filed: **May 30, 2020**

(51) **LOC (13) Cl.** ..... **21-04**

(52) **U.S. Cl.**  
USPC ..... **D21/837**

(58) **Field of Classification Search**  
USPC ..... D21/834, 837, 838, 839  
CPC ..... E04H 15/00; E04H 15/003; E04H 15/40;  
E04H 15/405; E04H 15/44; E04H 15/42;  
E04H 15/425

See application file for complete search history.

(56) **References Cited**

**U.S. PATENT DOCUMENTS**

D412,959 S 8/1999 Cung  
D661,362 S \* 6/2012 Zimmer ..... D21/834  
D721,413 S \* 1/2015 Zimmer ..... D21/837  
D741,437 S \* 10/2015 Zimmer ..... D21/837  
9,366,054 B2 \* 6/2016 Li ..... E04H 15/58  
D763,391 S \* 8/2016 Xu ..... D21/837  
D773,579 S \* 12/2016 Shir ..... D21/837  
D775,296 S \* 12/2016 Shir ..... D21/837  
D778,383 S 2/2017 Xu  
D795,980 S \* 8/2017 Xiao ..... D21/834

\* cited by examiner

*Primary Examiner* — Cynthia M. Chin

(74) *Attorney, Agent, or Firm* — Law Offices of Steven W. Weinrieb

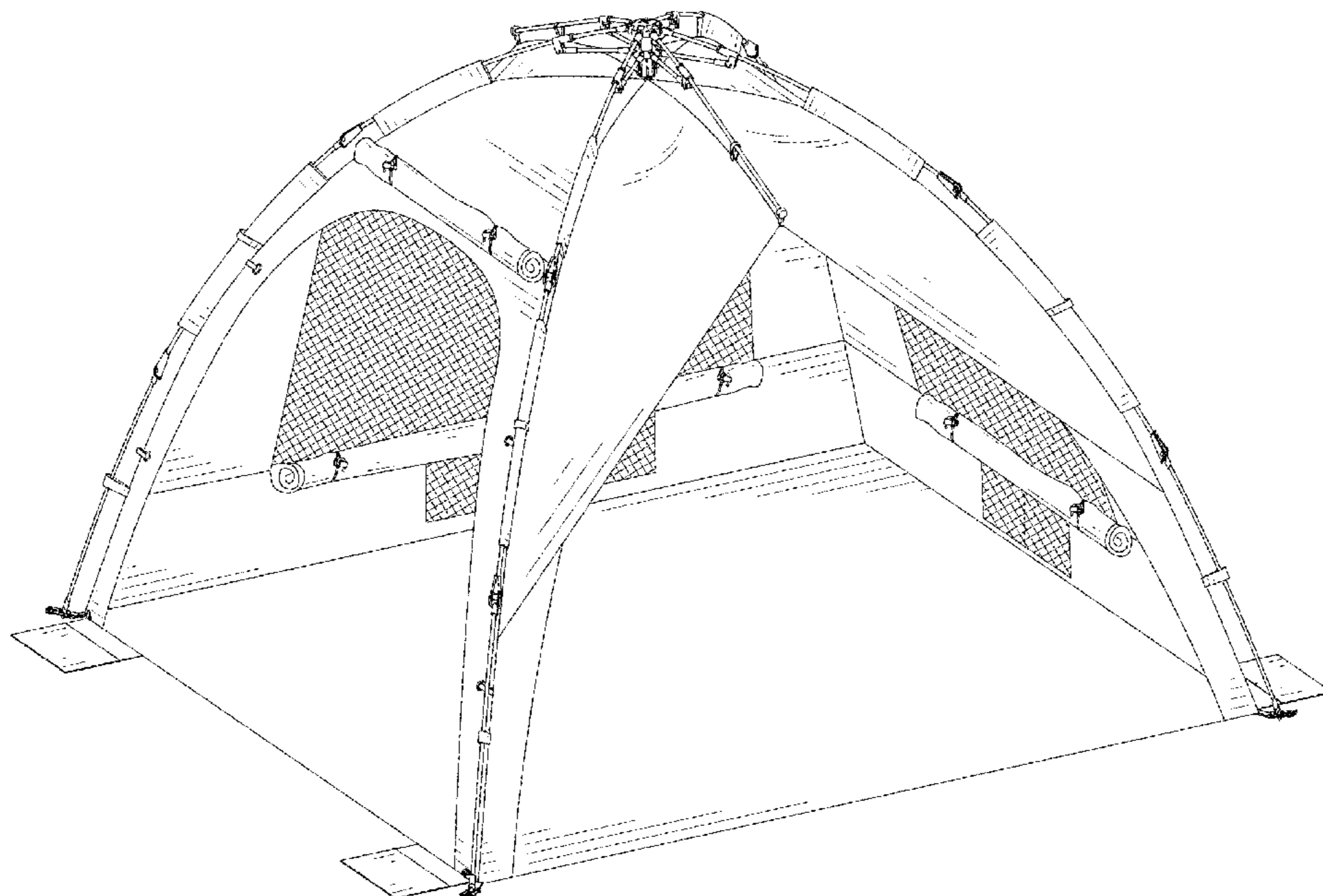
(57) **CLAIM**

The ornamental design for a beach tent, as shown and described.

**DESCRIPTION**

FIG. 1 is a front, left side, top perspective view of a beach tent showing my new design;  
FIG. 2 is a rear, right side, bottom perspective view thereof;  
FIG. 3 is a front elevational view thereof;  
FIG. 4 is a rear elevational view thereof;  
FIG. 5 is a left side elevational view thereof;  
FIG. 6 is a right side elevational view thereof;  
FIG. 7 is a top plan view thereof;  
FIG. 8 is a bottom plan view thereof; and,  
FIG. 9 is a front, left side, top perspective view thereof with the flaps of the beach tent shown in an open state.

**1 Claim, 9 Drawing Sheets**



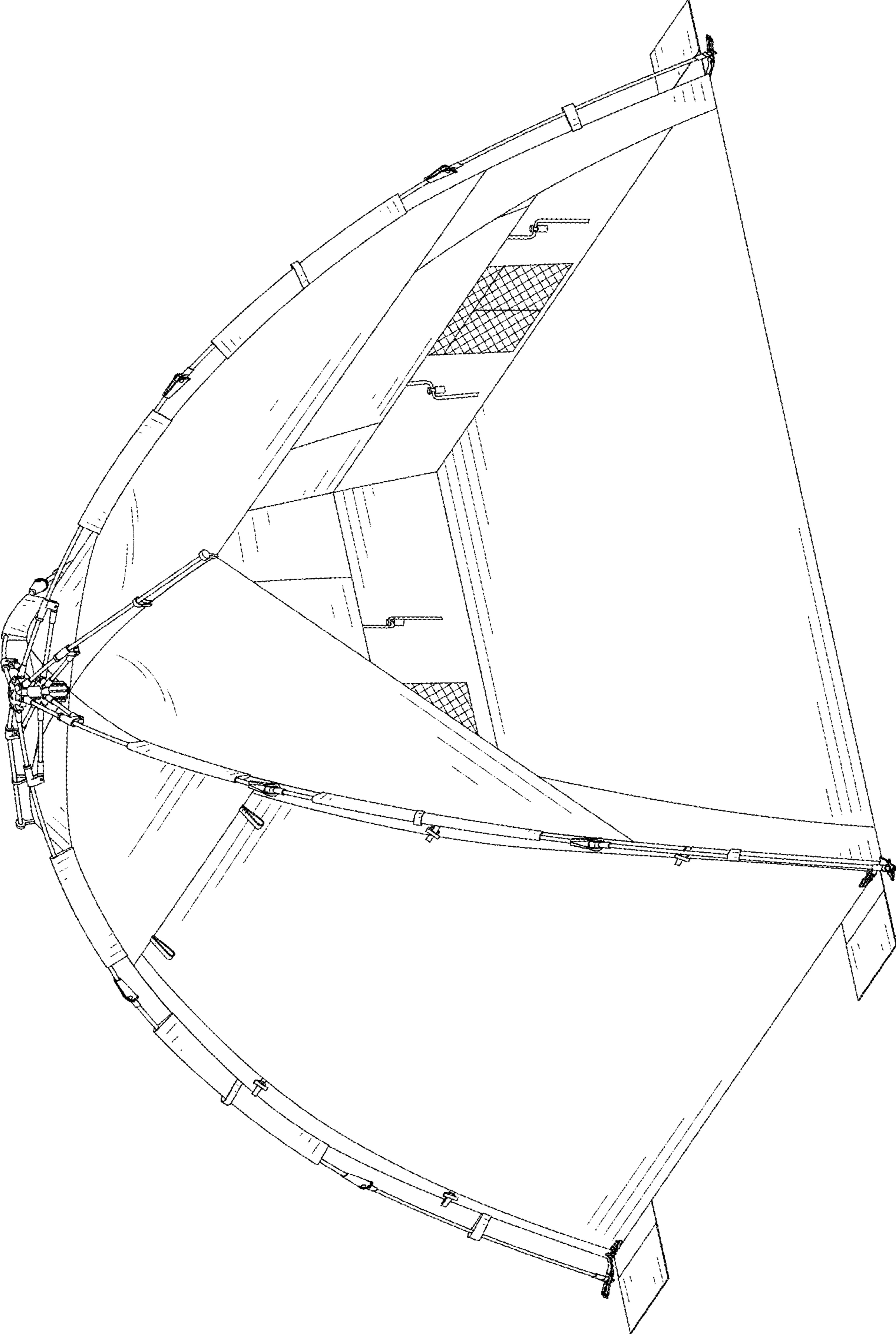


FIG. 1

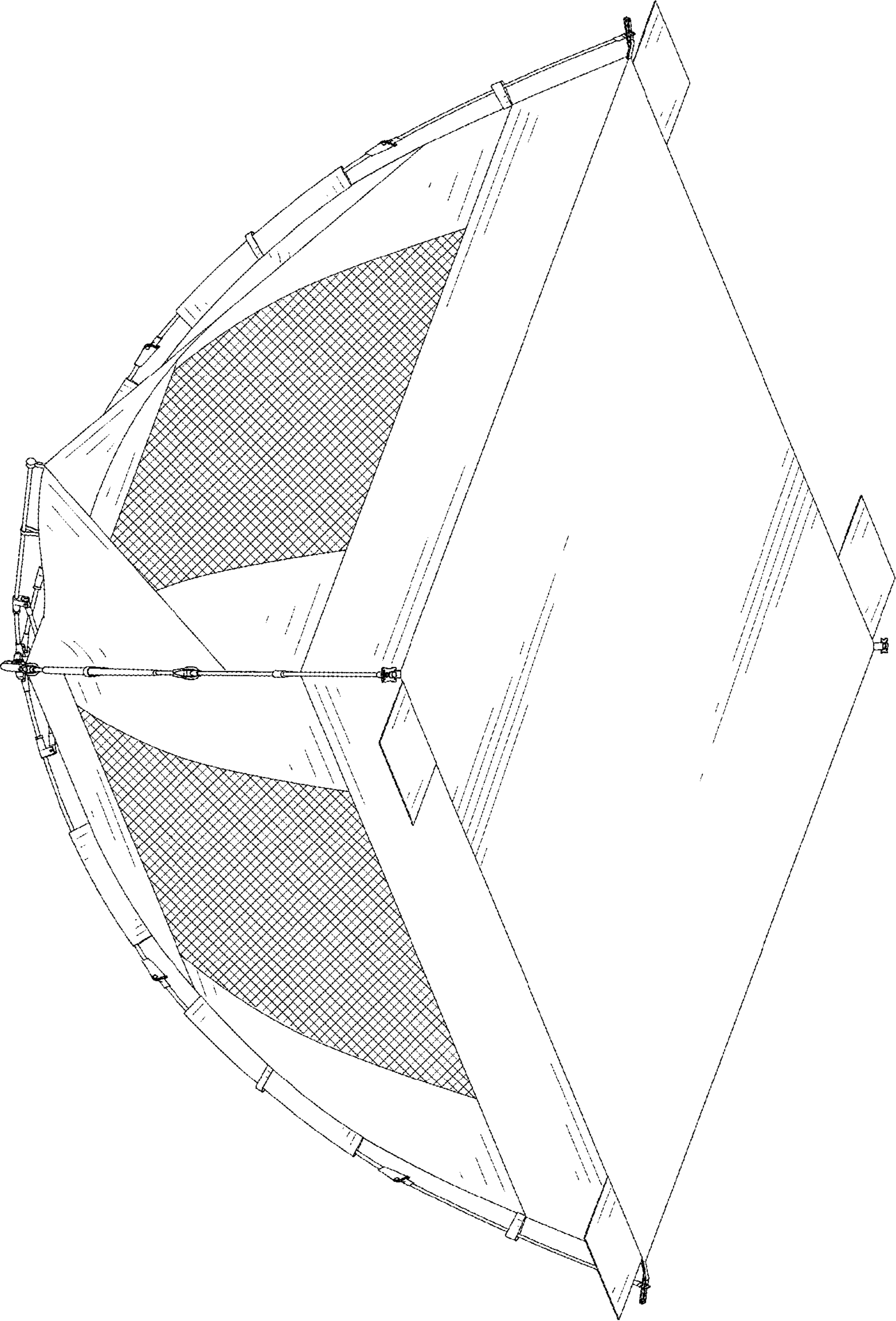


FIG. 2

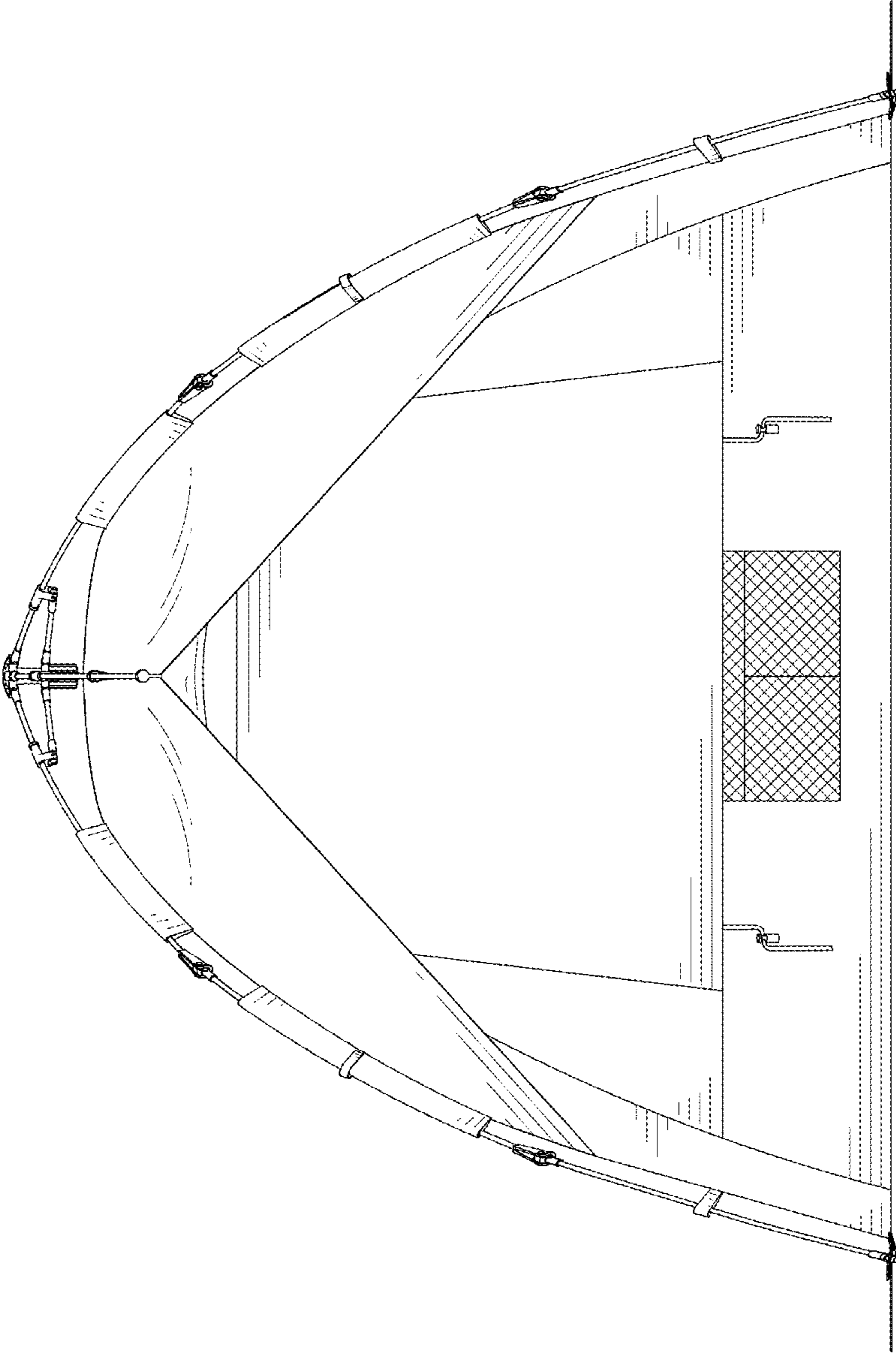


FIG. 3

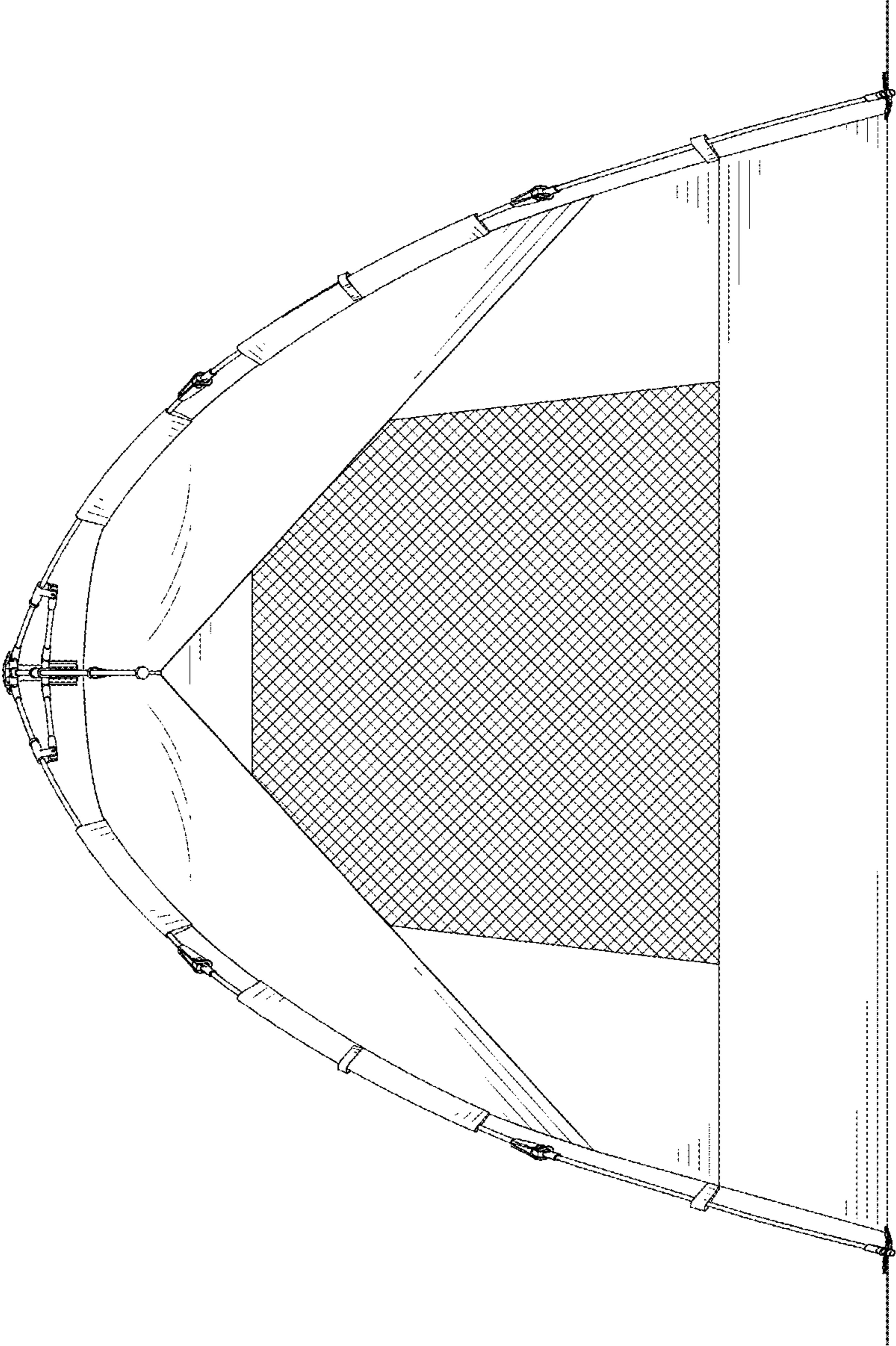


FIG. 4

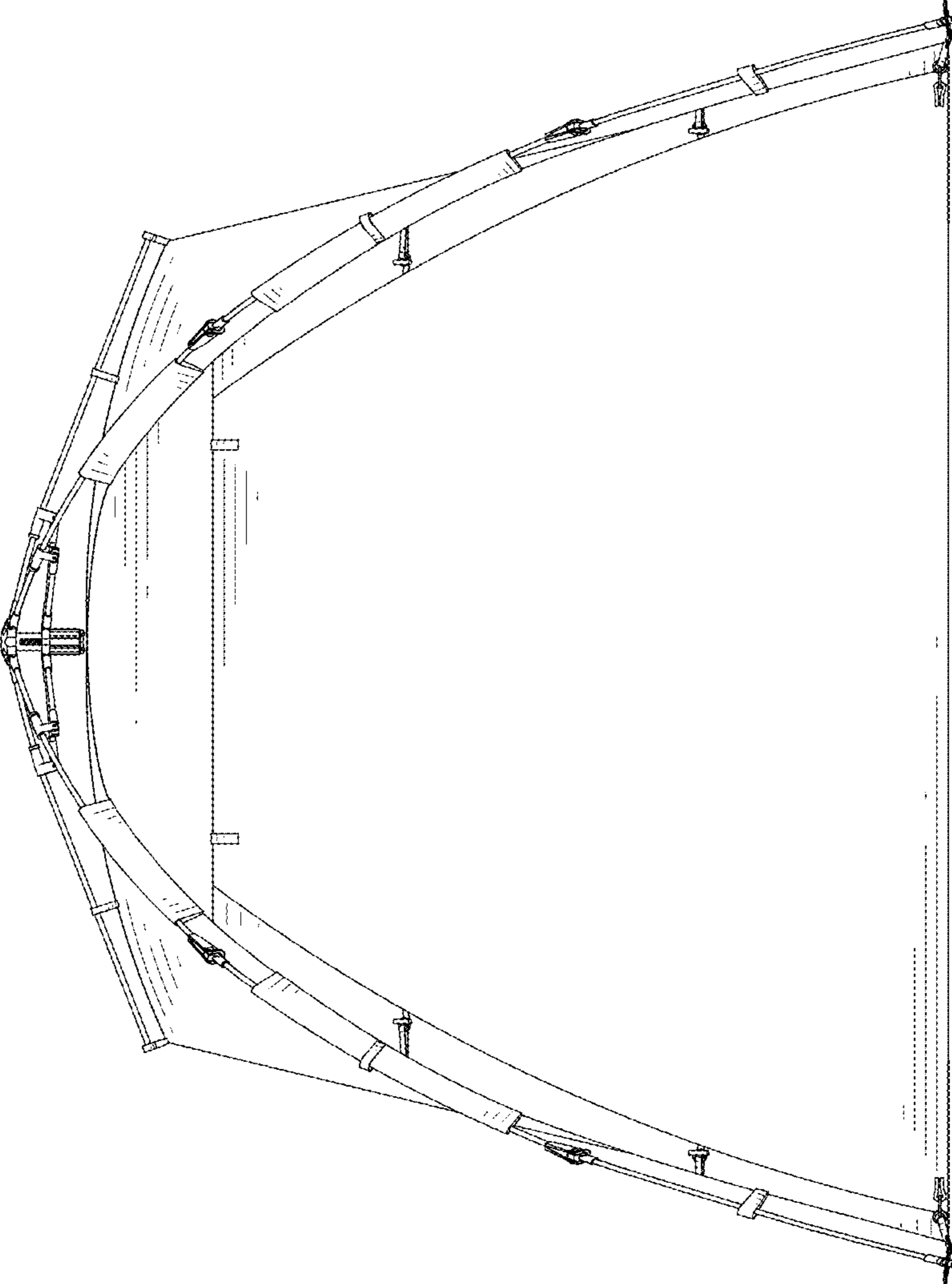


FIG. 5

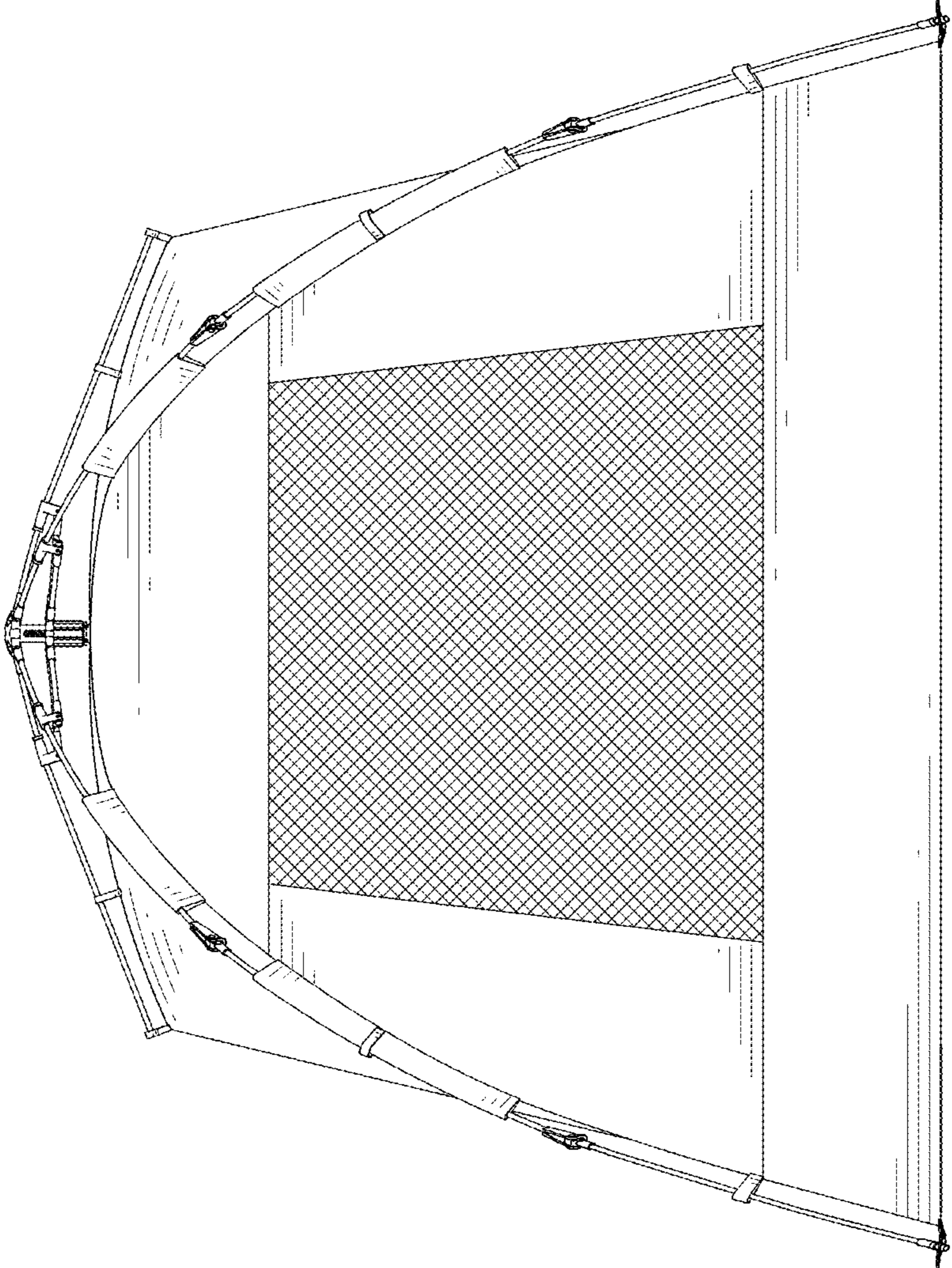


FIG. 6

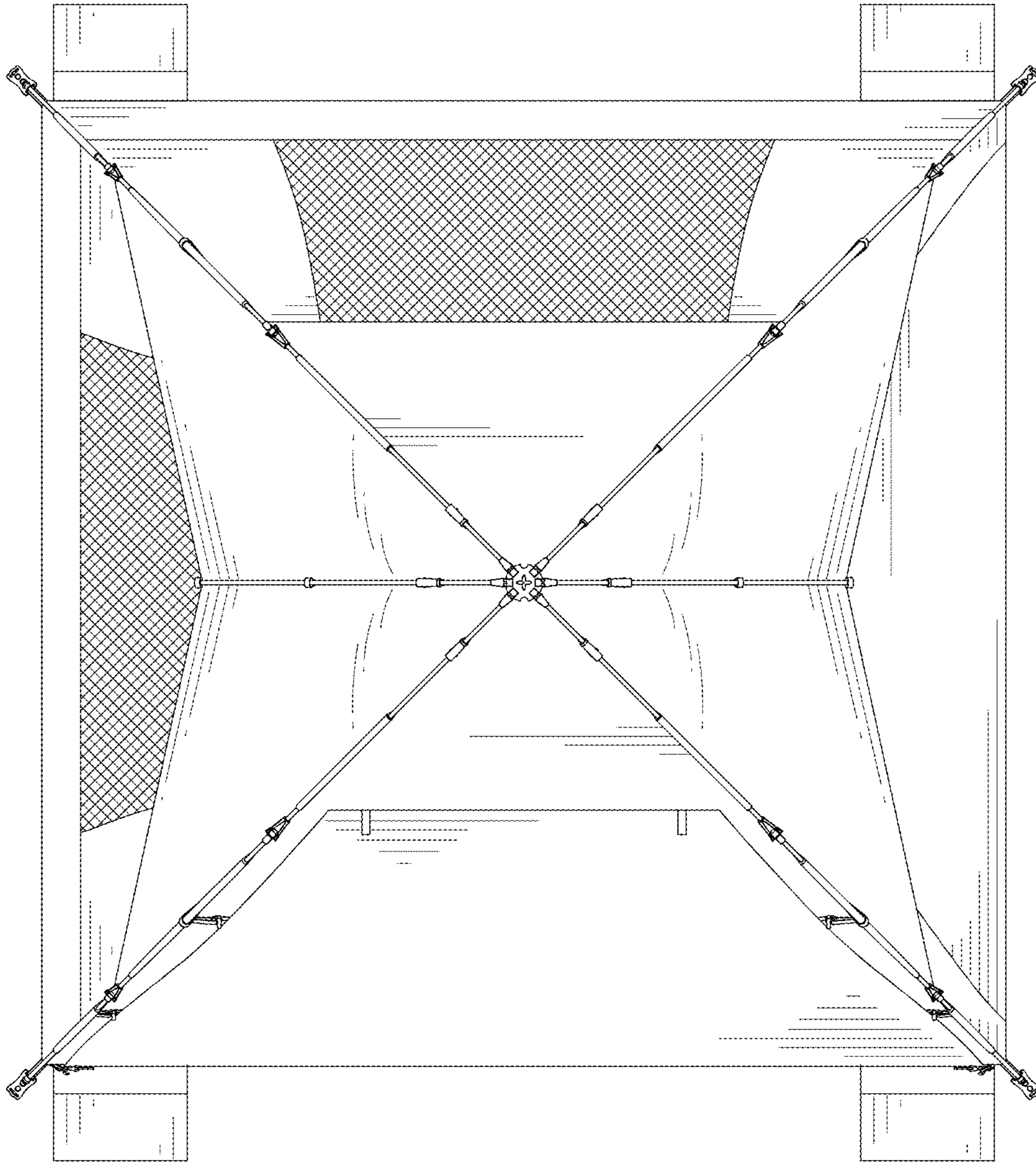


FIG. 7



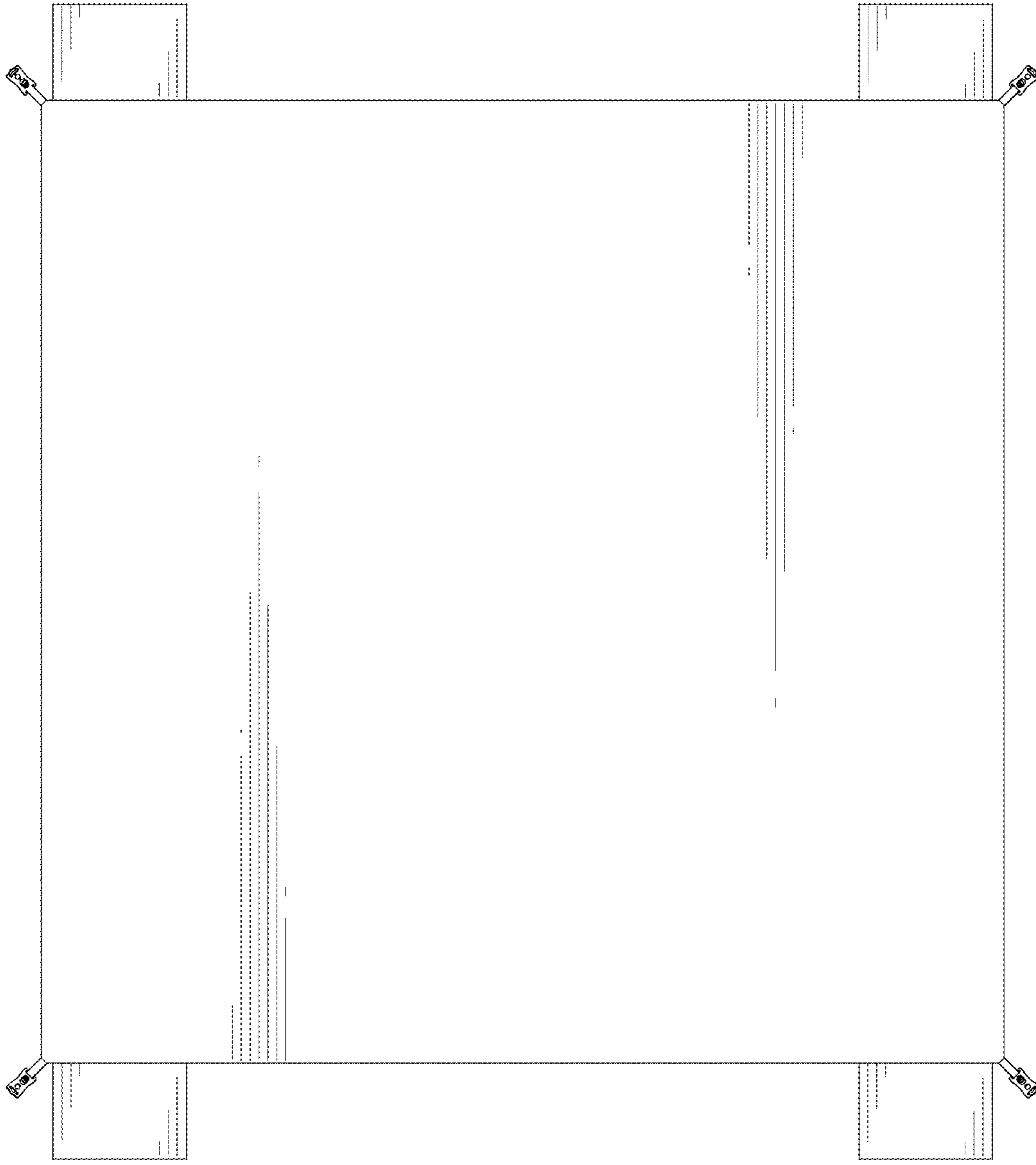


FIG. 8

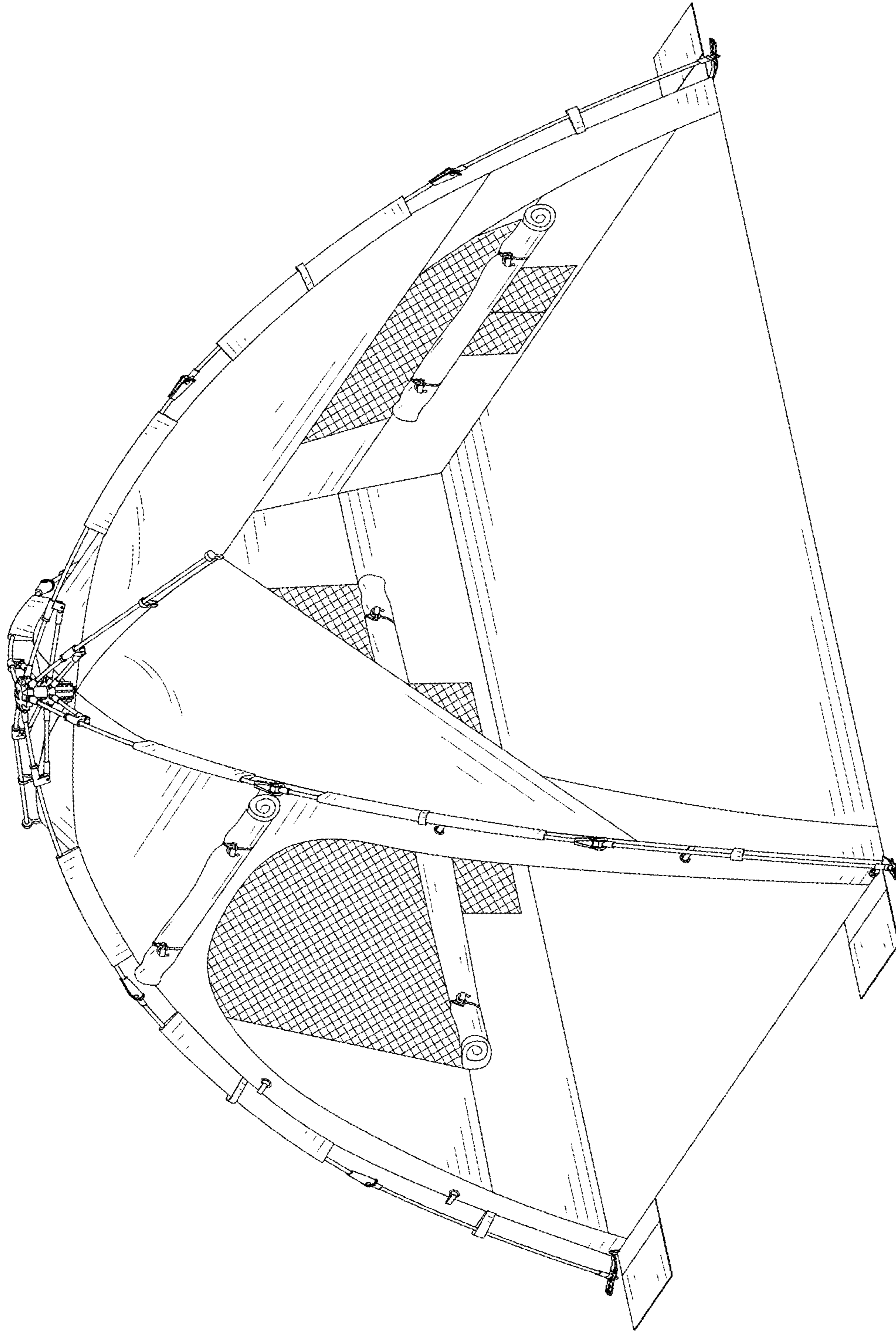


FIG. 9