



US00D910132S

(12) **United States Design Patent** (10) **Patent No.:** **US D910,132 S**
Cameron (45) **Date of Patent:** **** *Feb. 9, 2021**

(54) **PUTTER GOLF CLUB HEAD**

- (71) Applicant: **Acushnet Company**, Fairhaven, MA (US)
- (72) Inventor: **Don T. Cameron**, Carlsbad, CA (US)
- (73) Assignee: **Acushnet Company**, Fairhaven, MA (US)
- (*) Notice: This patent is subject to a terminal disclaimer.
- (**) Term: **15 Years**

- (21) Appl. No.: **29/695,642**
- (22) Filed: **Jun. 20, 2019**
- (51) **LOC (13) Cl.** **21-02**
- (52) **U.S. Cl.**
USPC **D21/759**
- (58) **Field of Classification Search**
USPC D21/736-746, 759
CPC A63B 53/00; A63B 53/04; A63B 53/007;
A63B 53/065; A63B 53/0487; A63B
60/00; A63B 60/46
See application file for complete search history.

(56) **References Cited**

U.S. PATENT DOCUMENTS

873,423	A *	12/1907	Govan	A63B 53/047 473/330
922,444	A *	5/1909	Youds	A63B 53/047 473/342
RE19,178	E *	5/1934	Spiker	A63B 53/0487 473/251
D385,609	S *	10/1997	Cameron	D21/742
D389,207	S *	1/1998	Cameron	D21/742
5,839,974	A *	11/1998	McAllister	A63B 53/0487 473/337
D431,854	S *	10/2000	Cameron	D21/759
D437,374	S *	2/2001	Cameron	D21/759

(Continued)

OTHER PUBLICATIONS

- U.S. Appl. No. 29/695,635, filed Jun. 20, 2019, Don T. Cameron.
(Continued)
- Primary Examiner* — Mitchell I. Siegel
- (74) *Attorney, Agent, or Firm* — Randy K. Chang

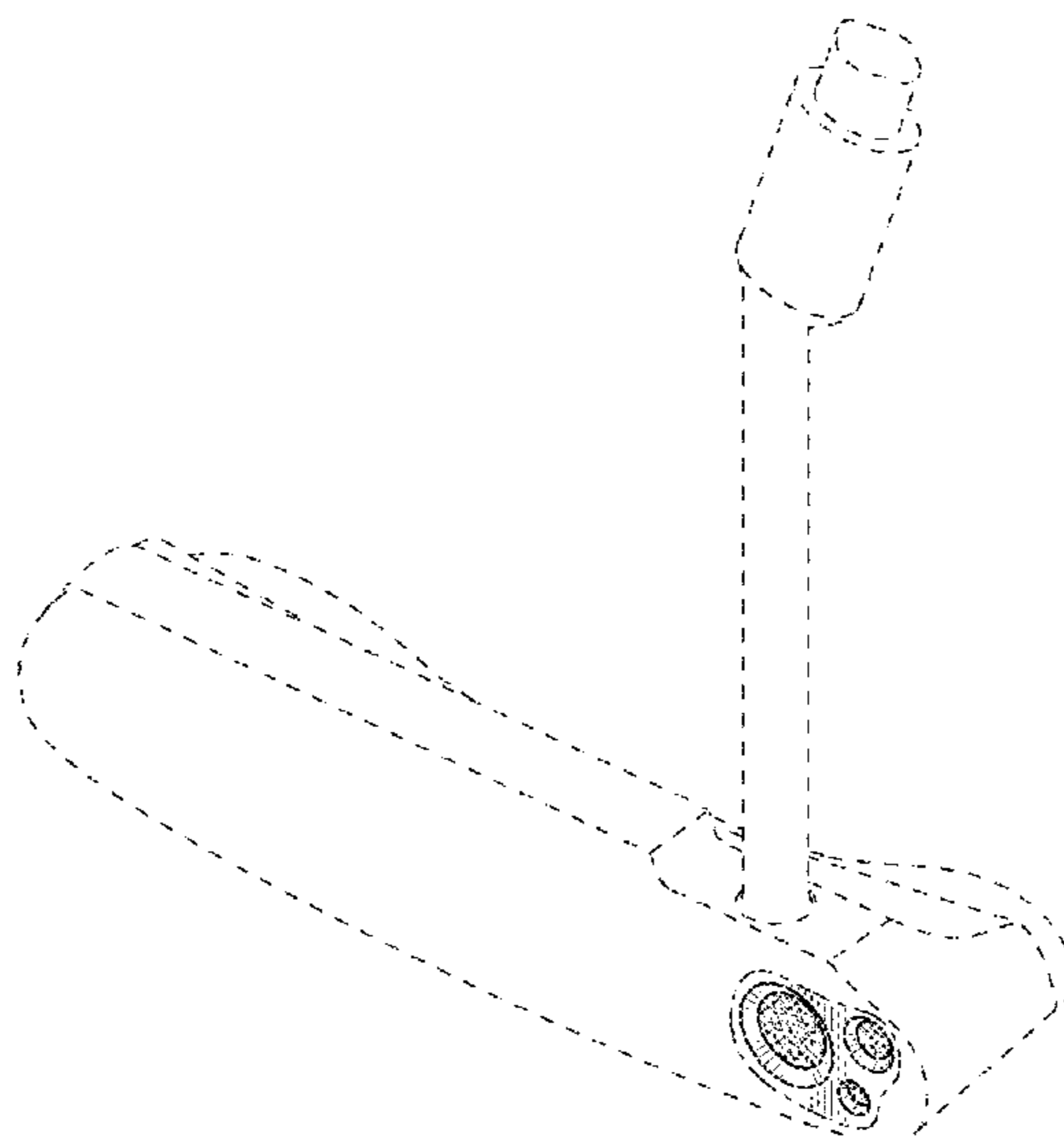
(57) **CLAIM**

The ornamental design for putter golf club head, as shown and described.

DESCRIPTION

FIG. 1 is a front perspective view of a putter golf club head in accordance with my invention showing my design;
 FIG. 2 is a top plan view thereof;
 FIG. 3 is a bottom plan view thereof;
 FIG. 4 is front elevation view a thereof;
 FIG. 5 is a heel end view thereof;
 FIG. 6 is a rear elevational view thereof;
 FIG. 7 is a toe end view thereof;
 FIG. 8 is a rear perspective view showing the design in an alternate position in its environment;
 FIG. 9 is a top plan view of FIG. 8;
 FIG. 10 is a bottom plan view of FIG. 8;
 FIG. 11 is front elevation view of FIG. 8;
 FIG. 12 is a heel end view of FIG. 8;
 FIG. 13 is a rear elevational view of FIG. 8;
 FIG. 14 is a toe end view of FIG. 8;
 FIG. 15 is a rear perspective view showing the design in an another alternate position in its environment;
 FIG. 16 is a top plan view of FIG. 15;
 FIG. 17 is a bottom plan view of FIG. 15;
 FIG. 18 is front elevation view of FIG. 15;
 FIG. 19 is a heel end view of FIG. 15;
 FIG. 20 is a rear elevational view of FIG. 15; and,
 FIG. 21 is a toe end view of FIG. 15.
 The broken lines in the figures show environment for the putter club head that forms no part of the claimed design.

1 Claim, 9 Drawing Sheets



(56)

References Cited

U.S. PATENT DOCUMENTS

D441,820 S * 5/2001 Nicolette D21/738
 D450,799 S * 11/2001 Nicolette D21/736
 D482,088 S * 11/2003 DeLaCruz D21/743
 D512,116 S * 11/2005 Mirafior D21/759
 D536,401 S * 2/2007 Kawami D21/759
 D536,403 S * 2/2007 Kawami D21/759
 D538,371 S * 3/2007 Kawami D21/759
 D543,601 S * 5/2007 Kawami D21/759
 D555,219 S * 11/2007 Lin D21/759
 D576,698 S * 9/2008 Cameron D21/759
 D600,763 S * 9/2009 Cameron D21/759
 D661,753 S * 6/2012 Cameron D21/759
 D726,846 S * 4/2015 Schweigert D21/743
 D739,487 S * 9/2015 Schweigert D21/759
 D741,426 S * 10/2015 Schweigert D21/736
 D751,660 S * 3/2016 Greenlaw D21/759
 D753,252 S * 4/2016 Schweigert D21/759
 9,364,727 B2 * 6/2016 Parsons A63B 53/0475
 D765,809 S * 9/2016 Peterson D21/759
 D767,057 S * 9/2016 Mickelson D21/747
 D769,386 S * 10/2016 Schweigert D21/759
 D791,891 S * 7/2017 Davis D21/736
 D794,146 S * 8/2017 Davis D21/736
 D799,615 S * 10/2017 Kroloff D21/736
 D834,120 S * 11/2018 Cameron D21/759
 D834,121 S * 11/2018 Cameron, Jr. D21/759
 D864,326 S * 10/2019 Mickelson D21/747
 10,441,858 B2 * 10/2019 Schweigert A63B 53/065

OTHER PUBLICATIONS

U.S. Appl. No. 29/695,639, filed Jun. 20, 2019, Don T. Cameron.
 U.S. Appl. No. 29/695,649, filed Jun. 20, 2019, Don T. Cameron.
 U.S. Appl. No. 29/695,653, filed Jun. 20, 2019, Don T. Cameron.

* cited by examiner

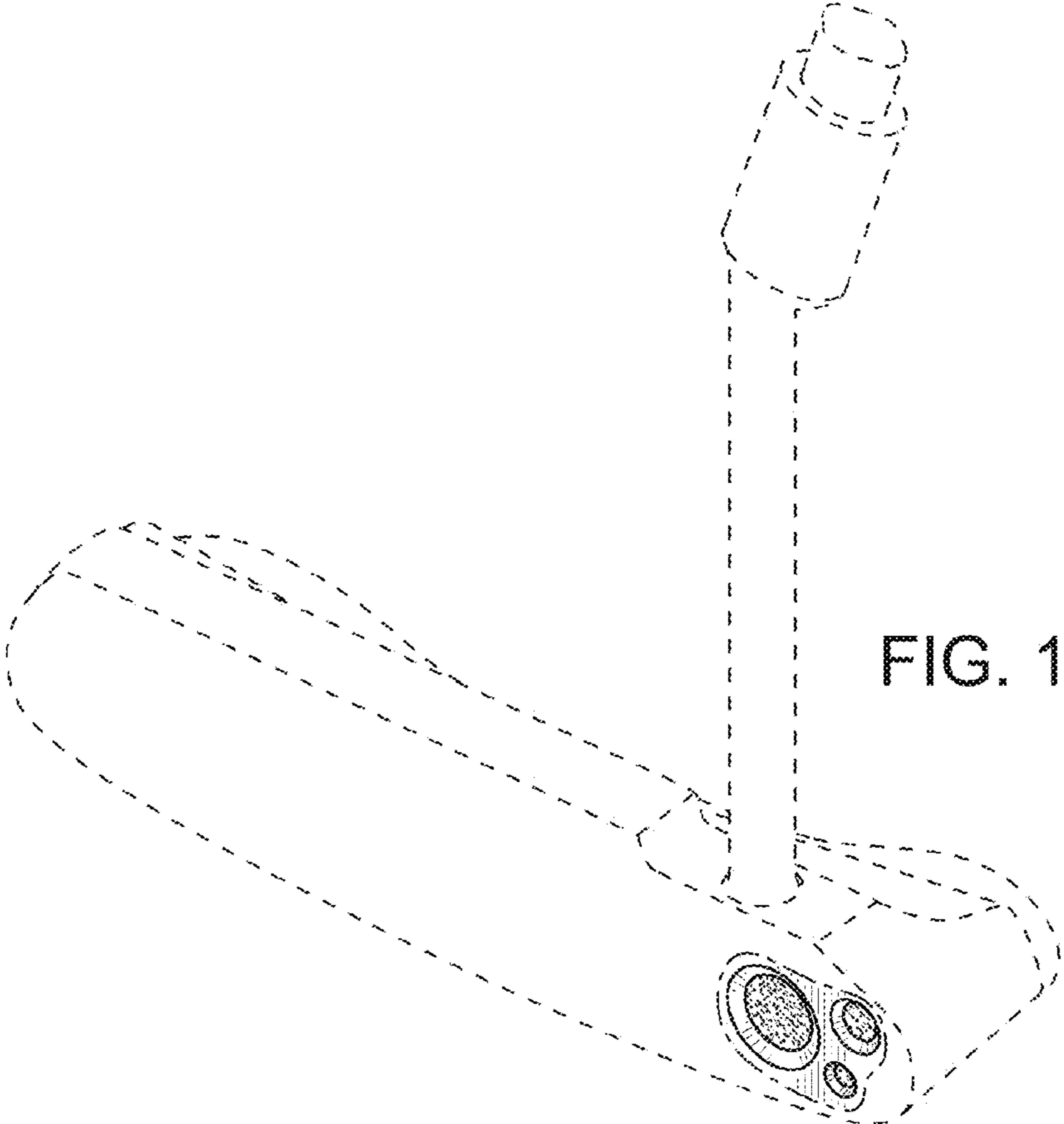


FIG. 1



FIG. 2

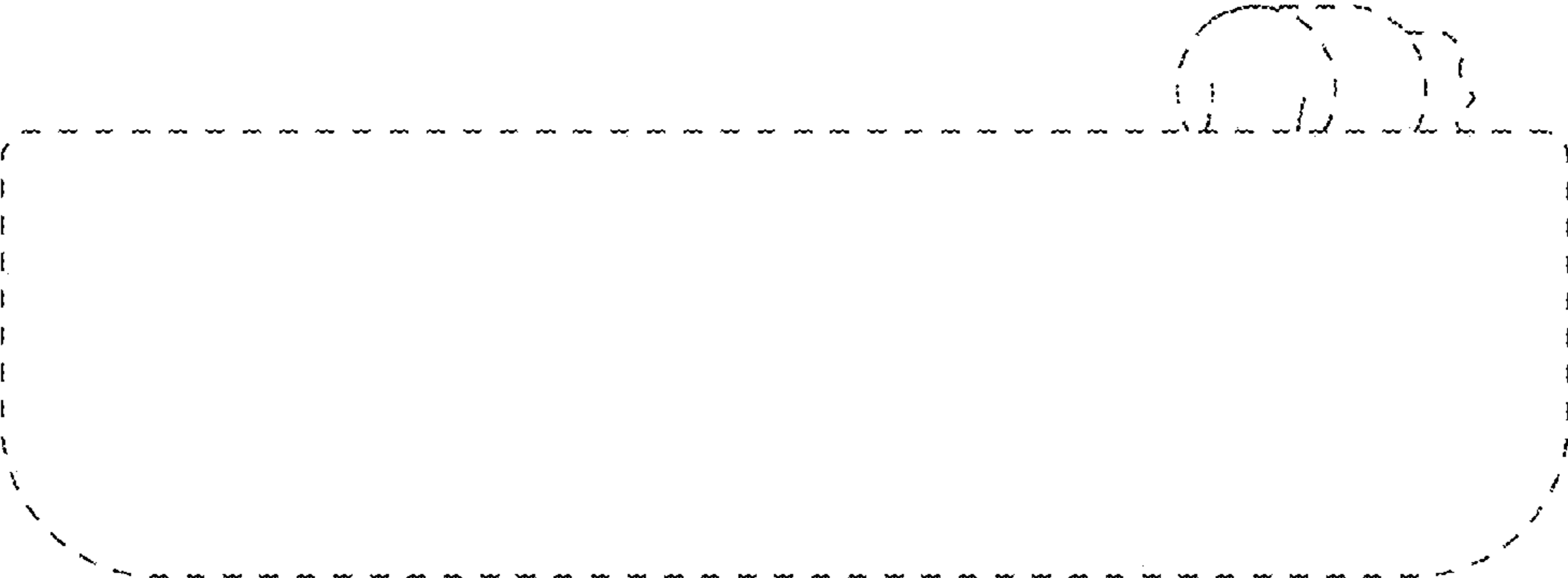
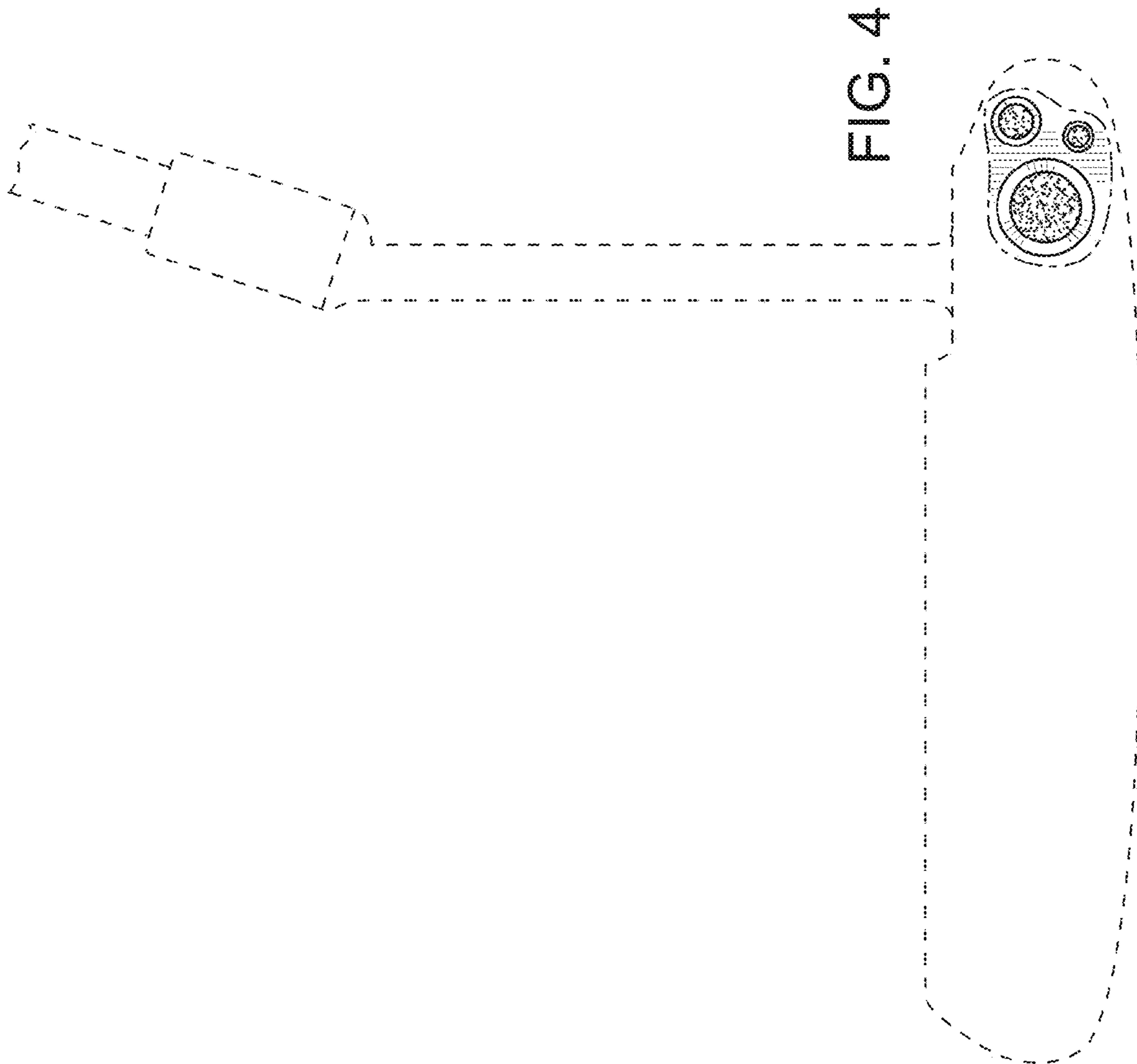
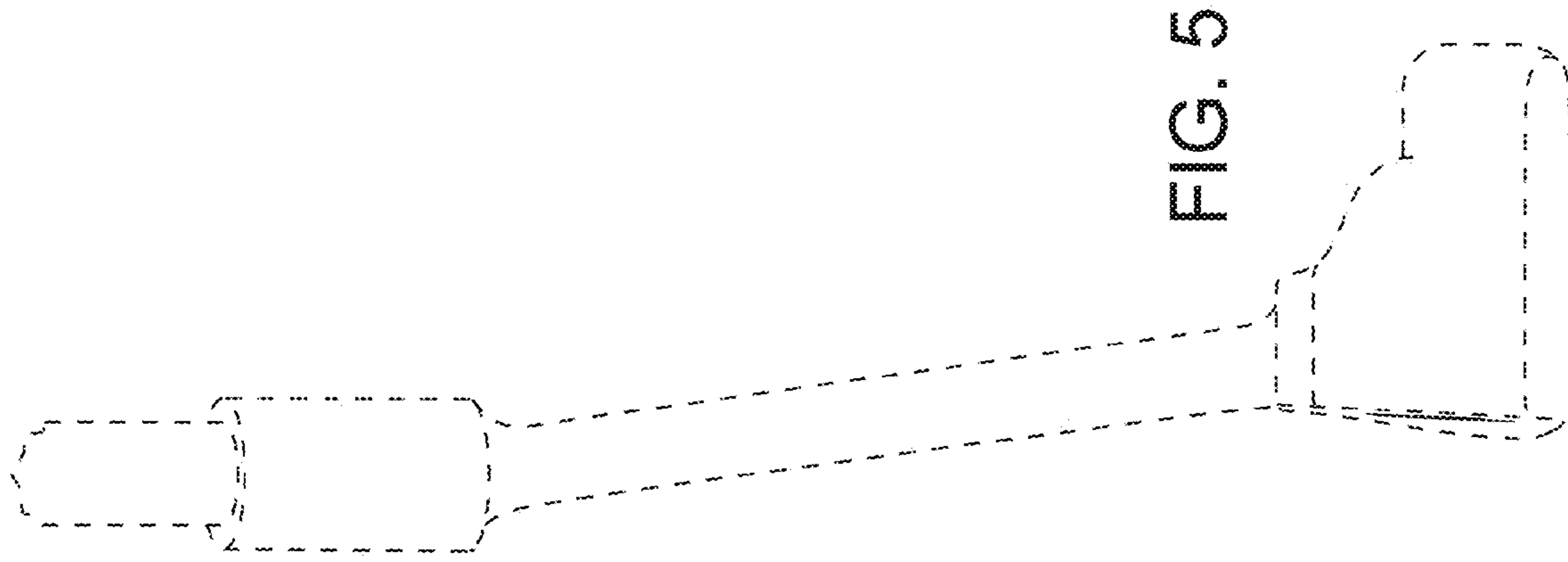


FIG. 3



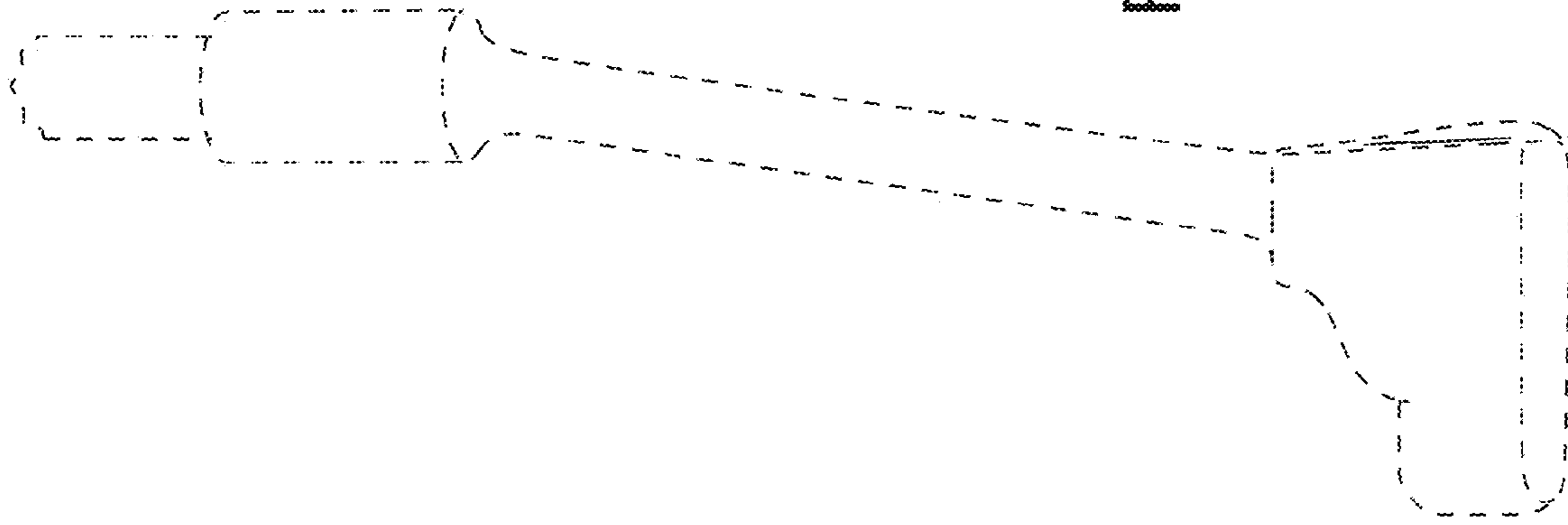


FIG. 7

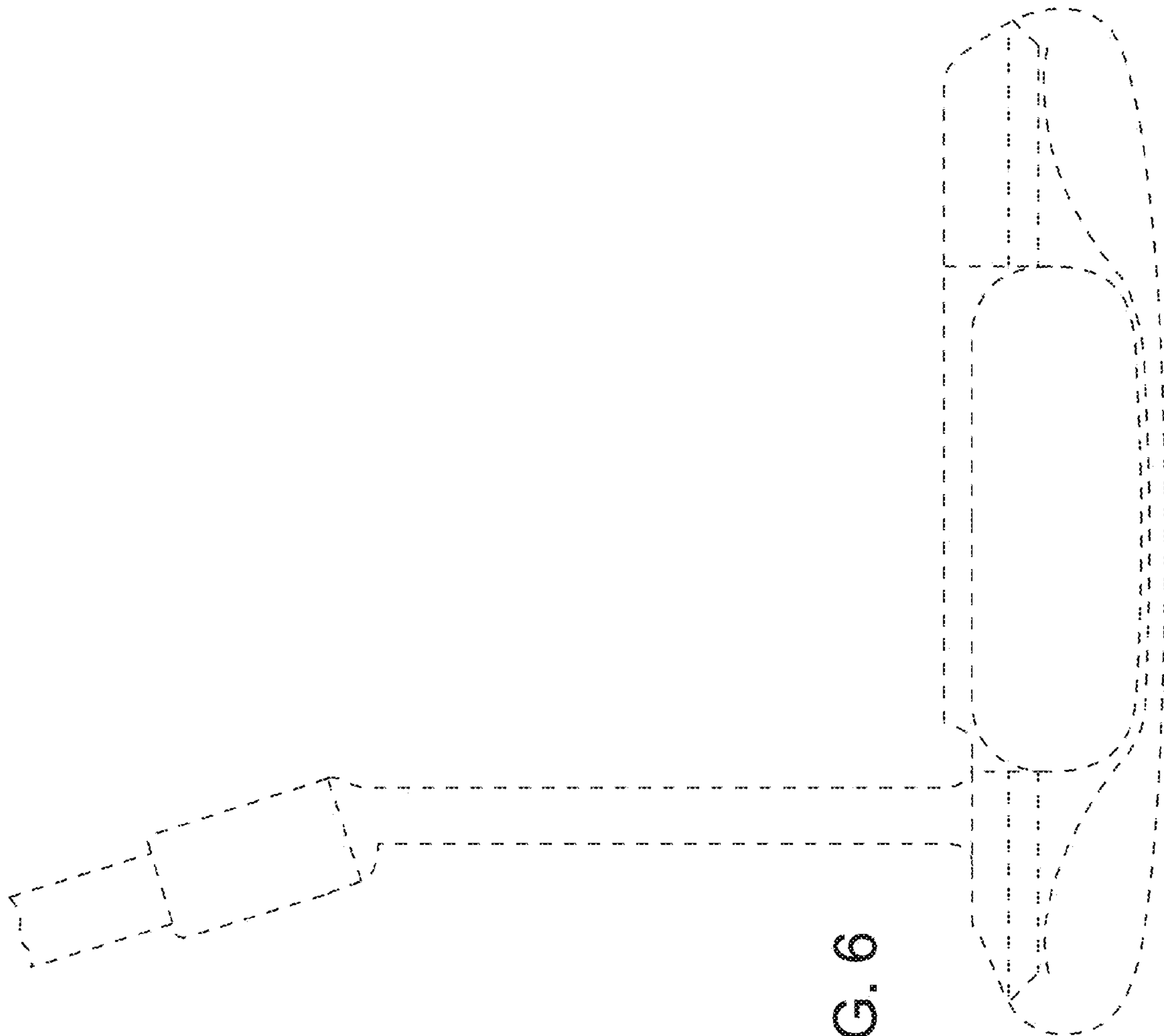


FIG. 6

FIG. 8

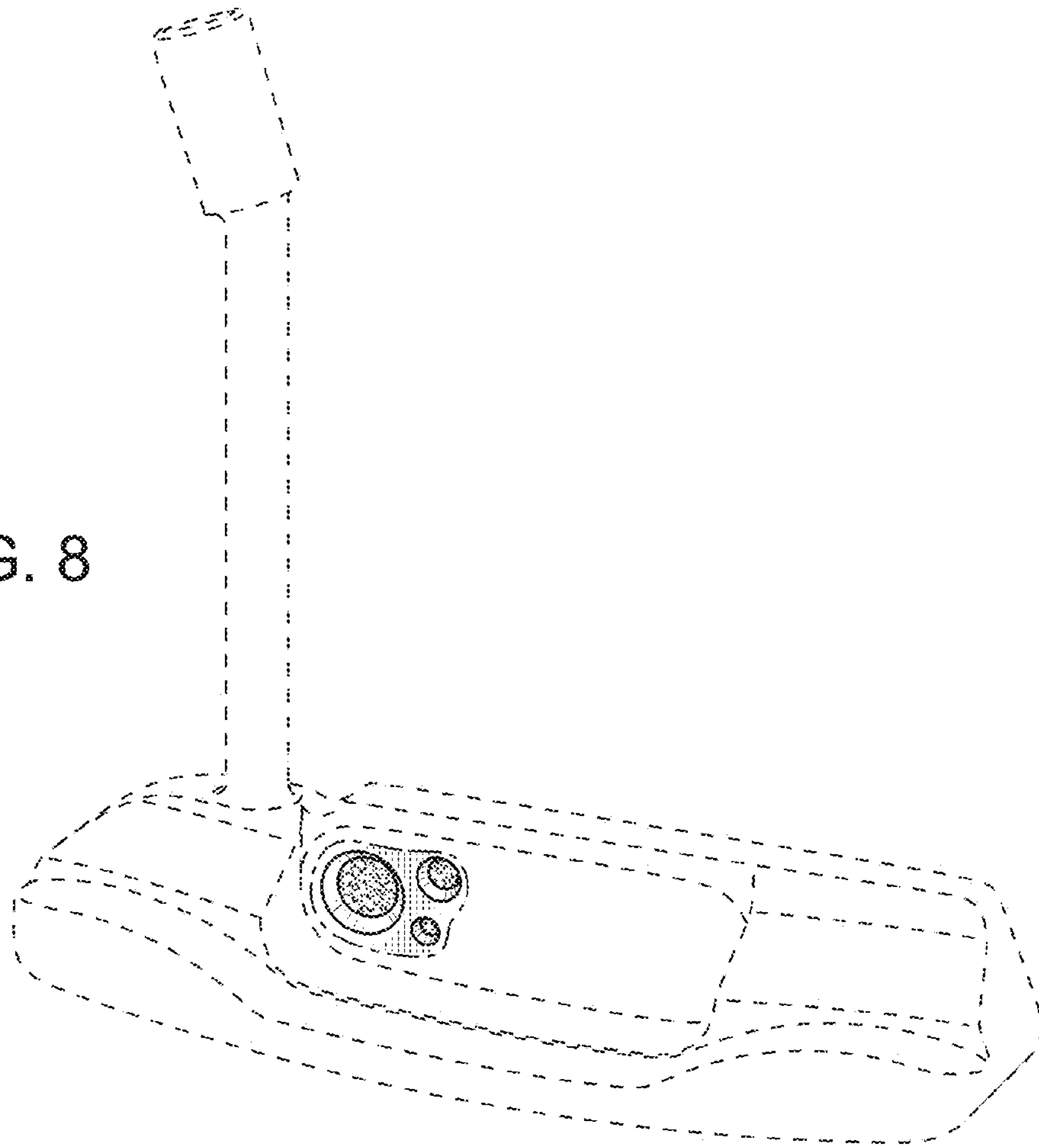


FIG. 9

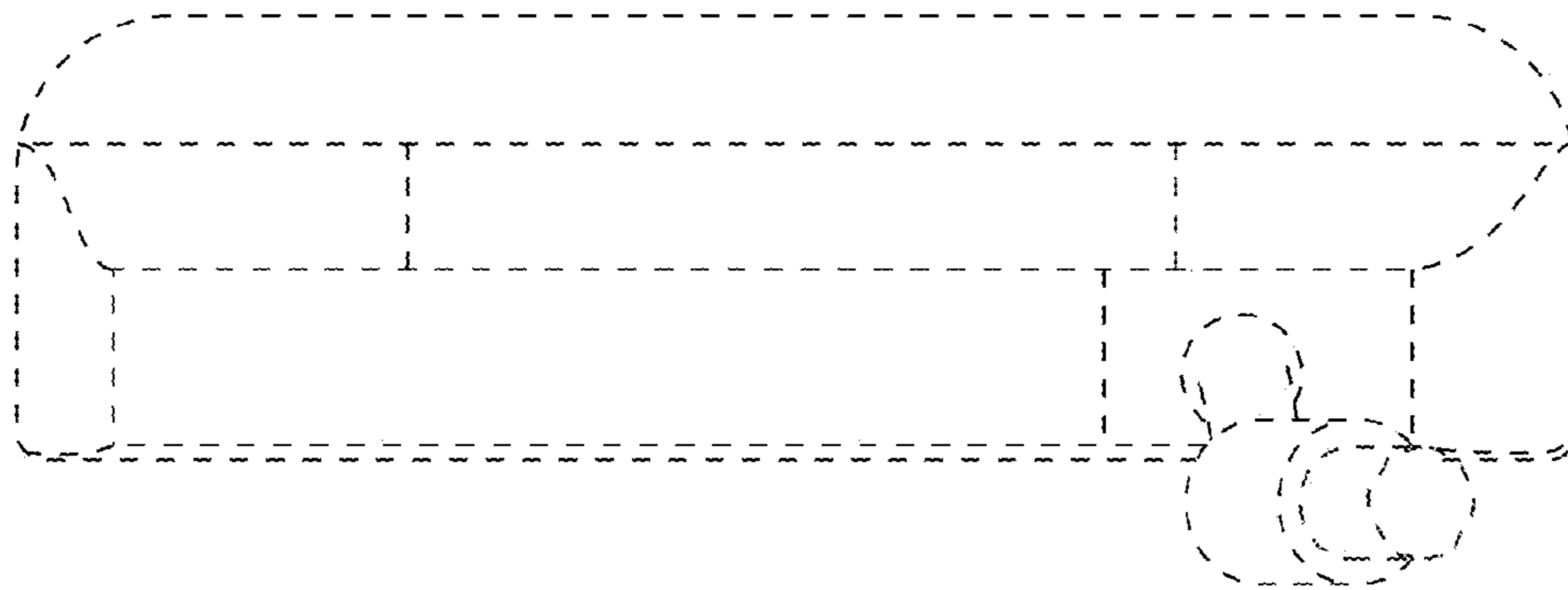
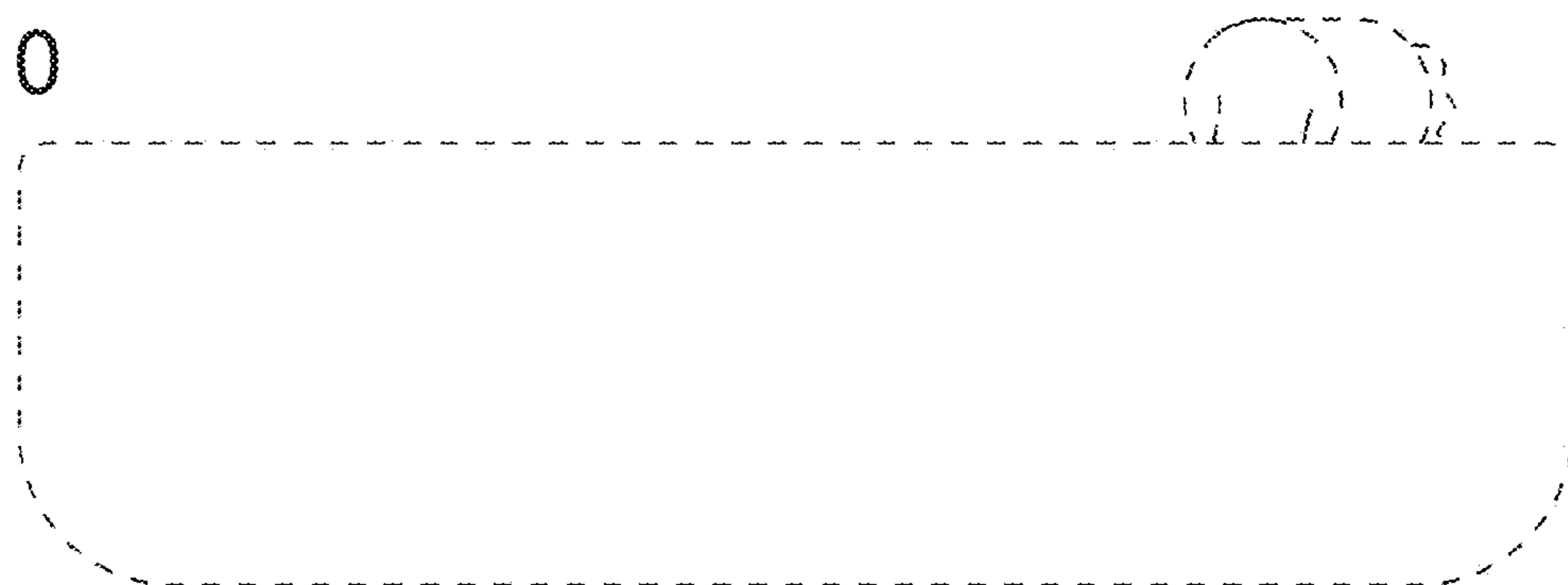


FIG. 10



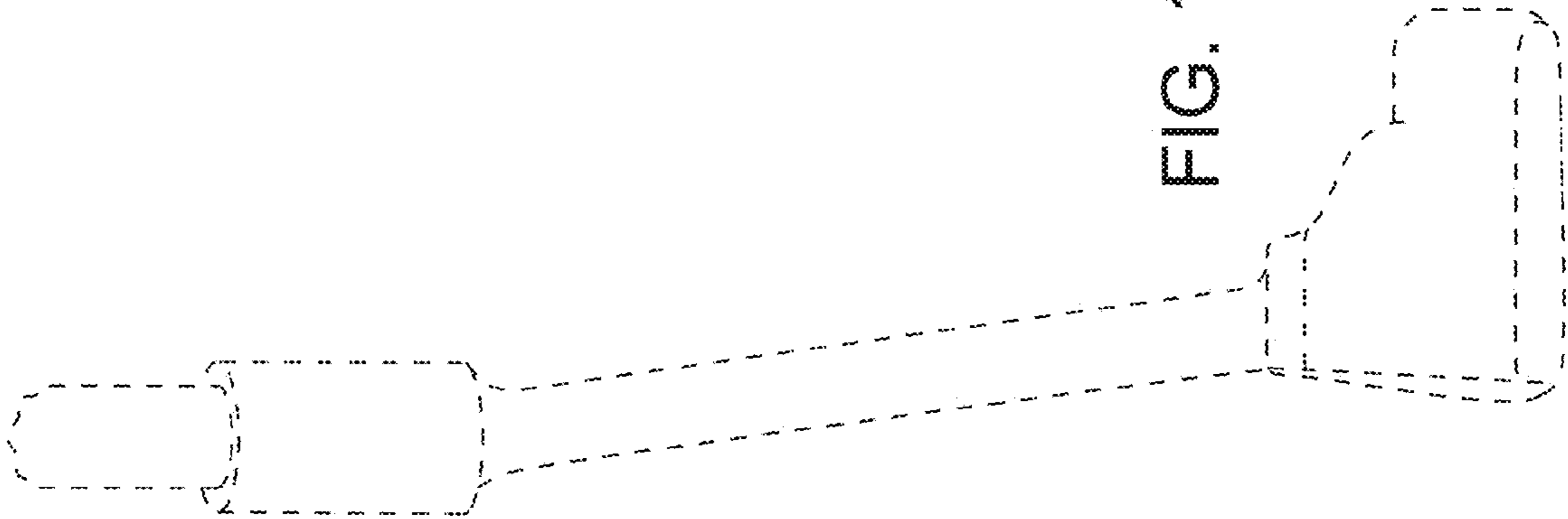


FIG. 12

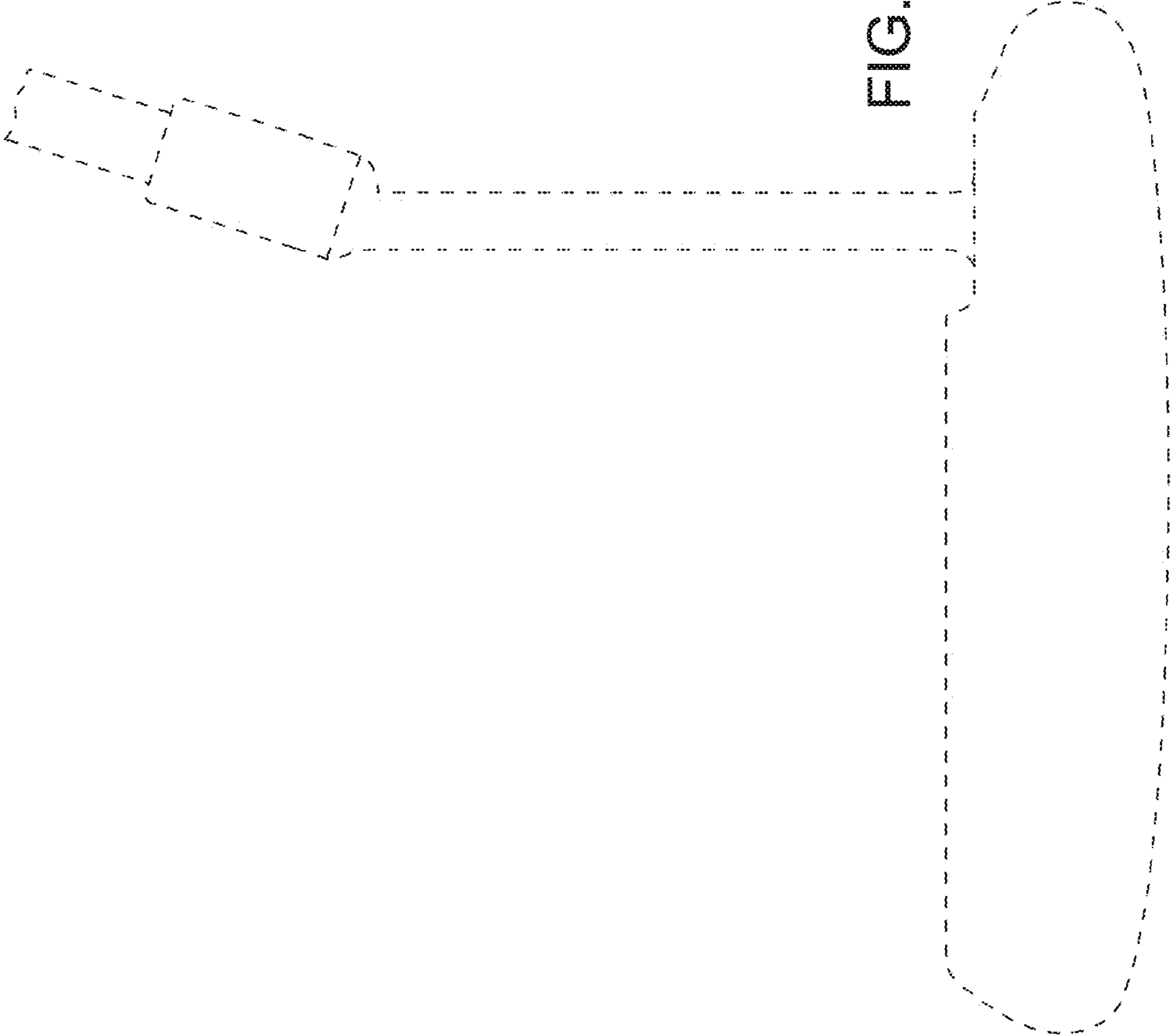


FIG. 11

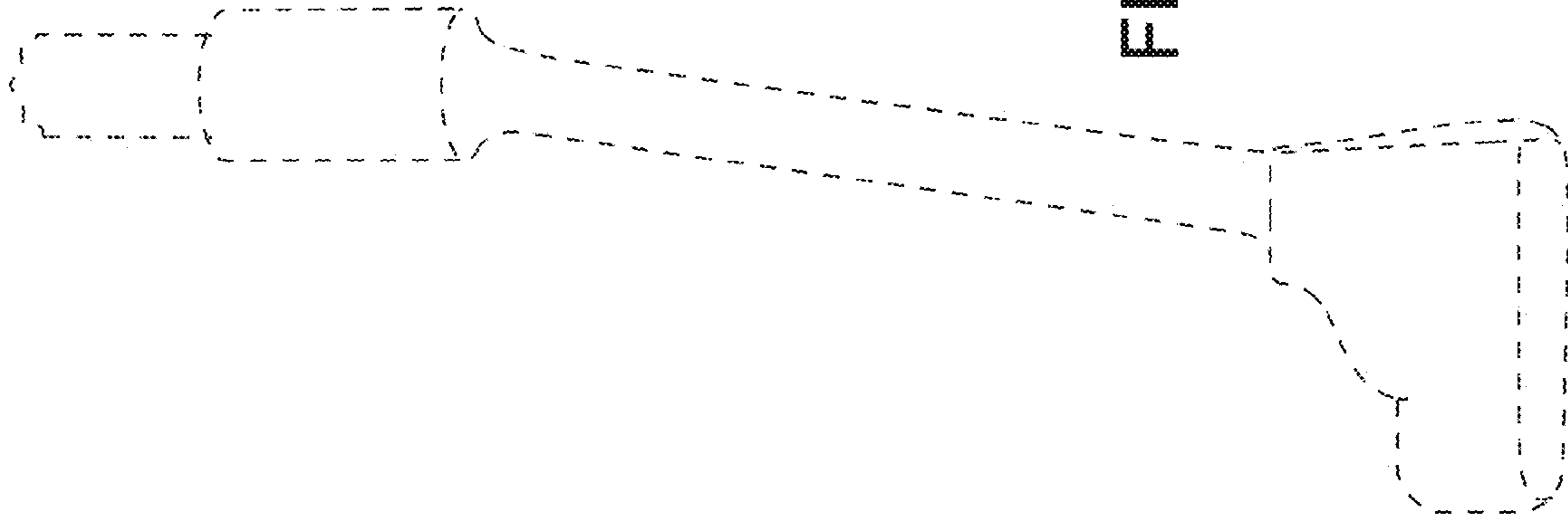


FIG. 14

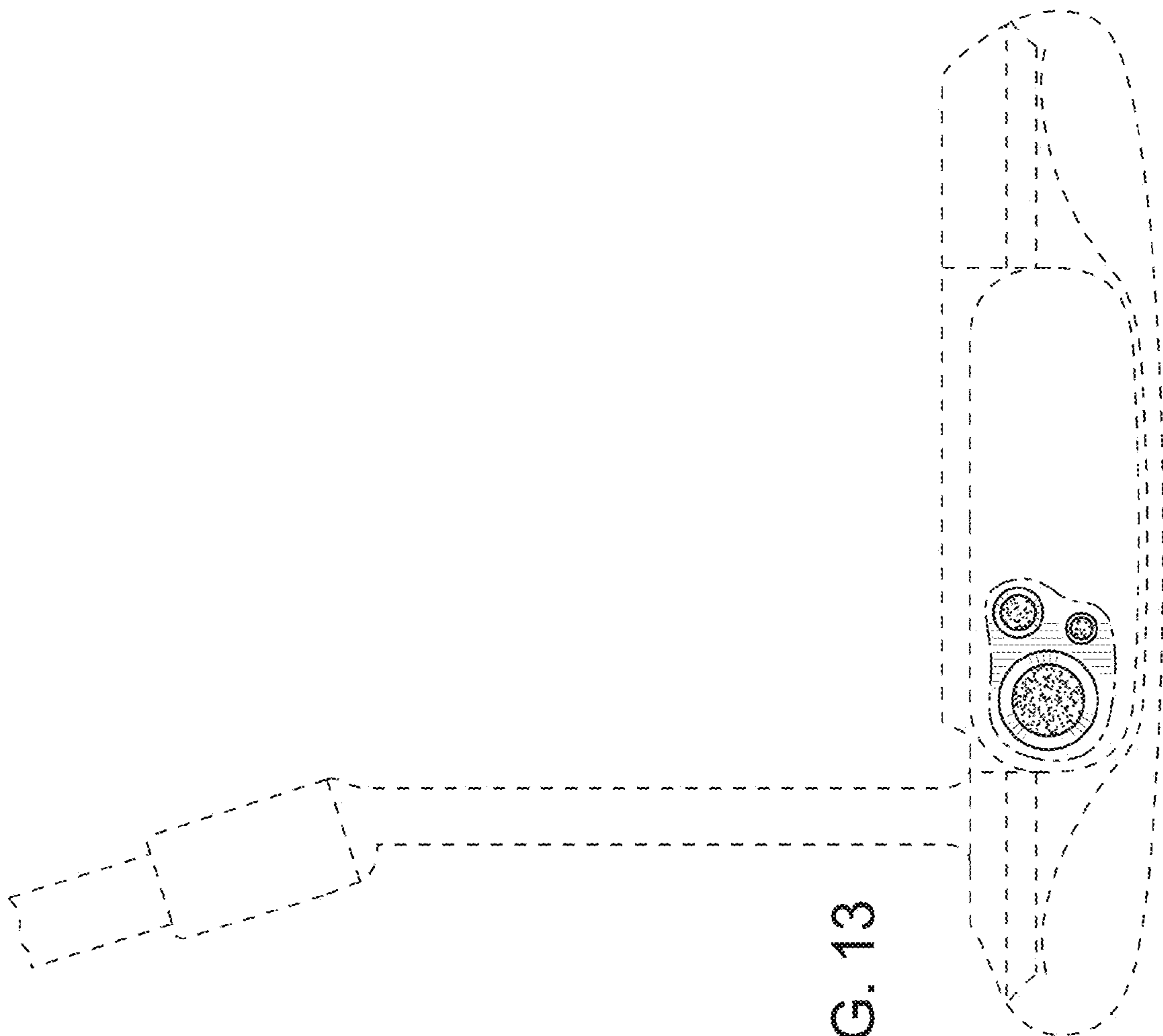


FIG. 13

FIG. 15

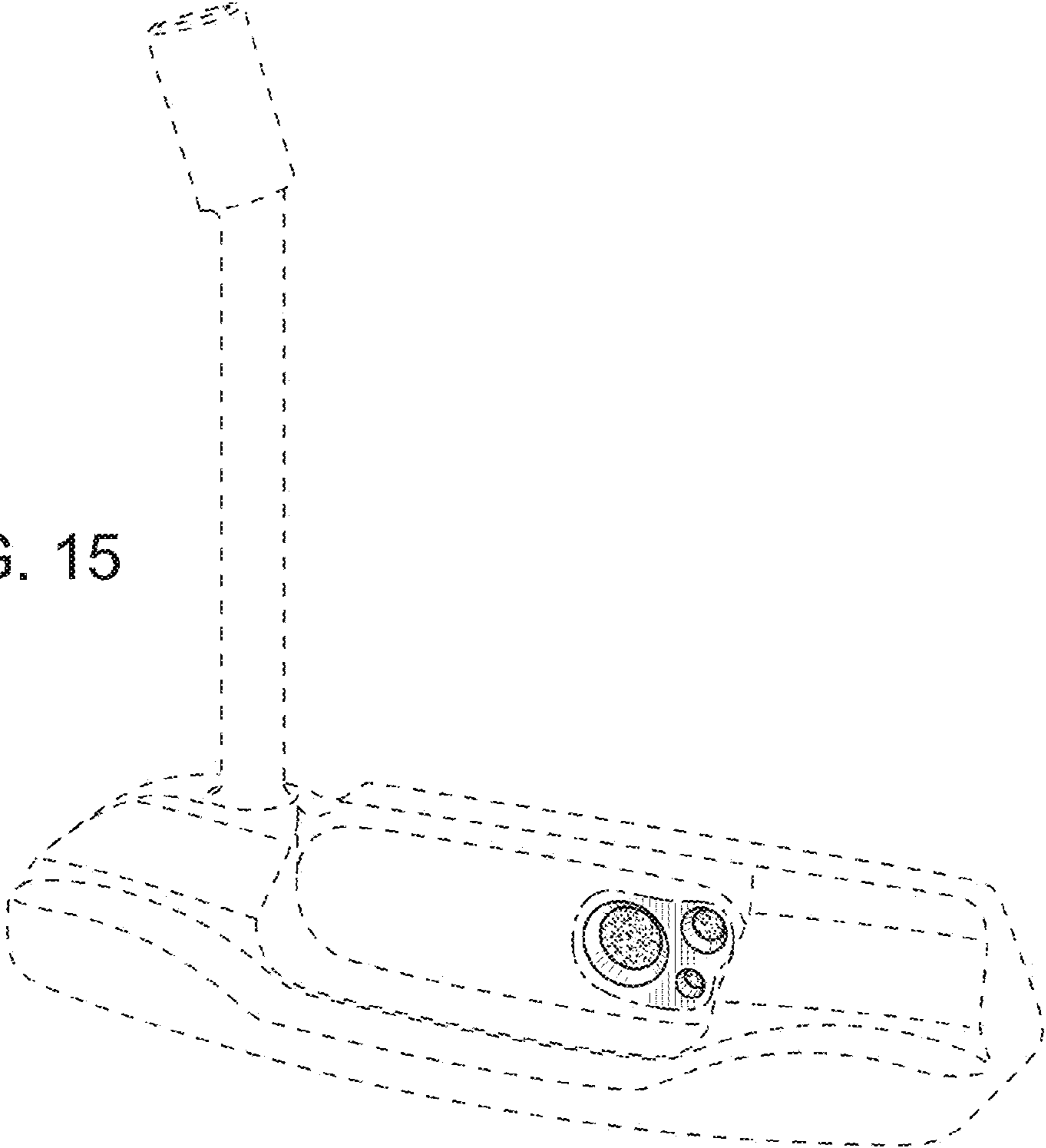


FIG. 16

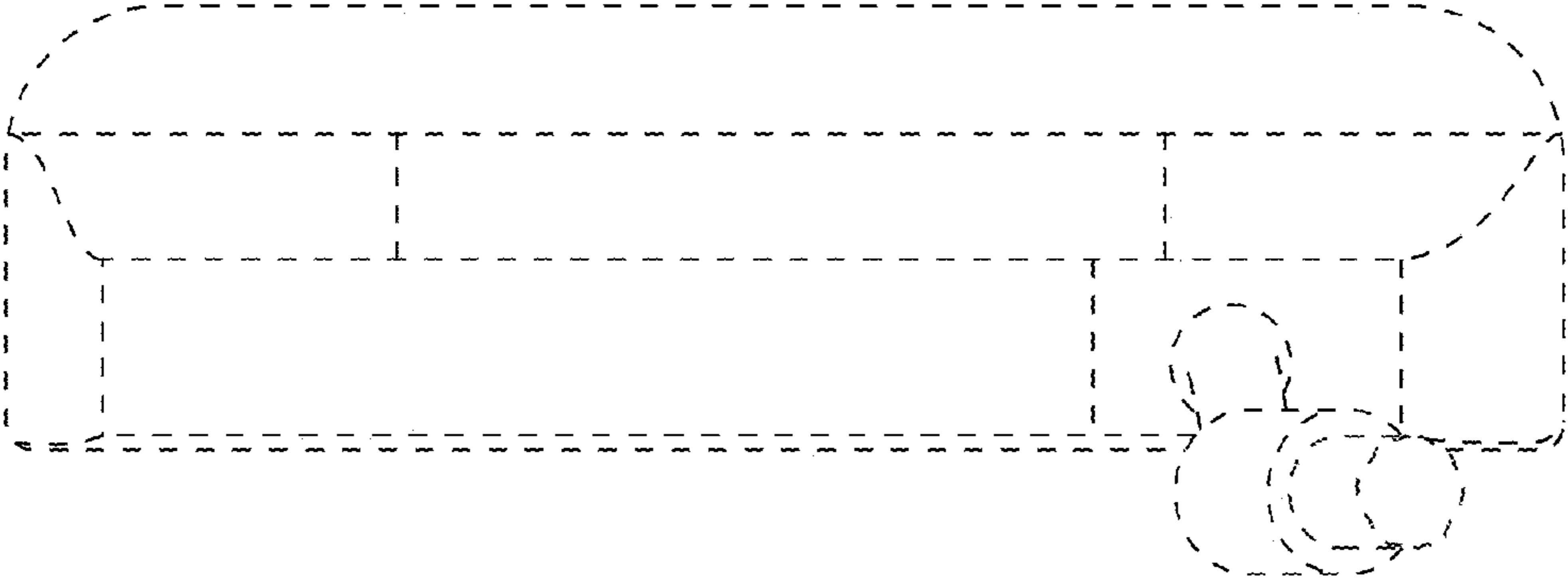
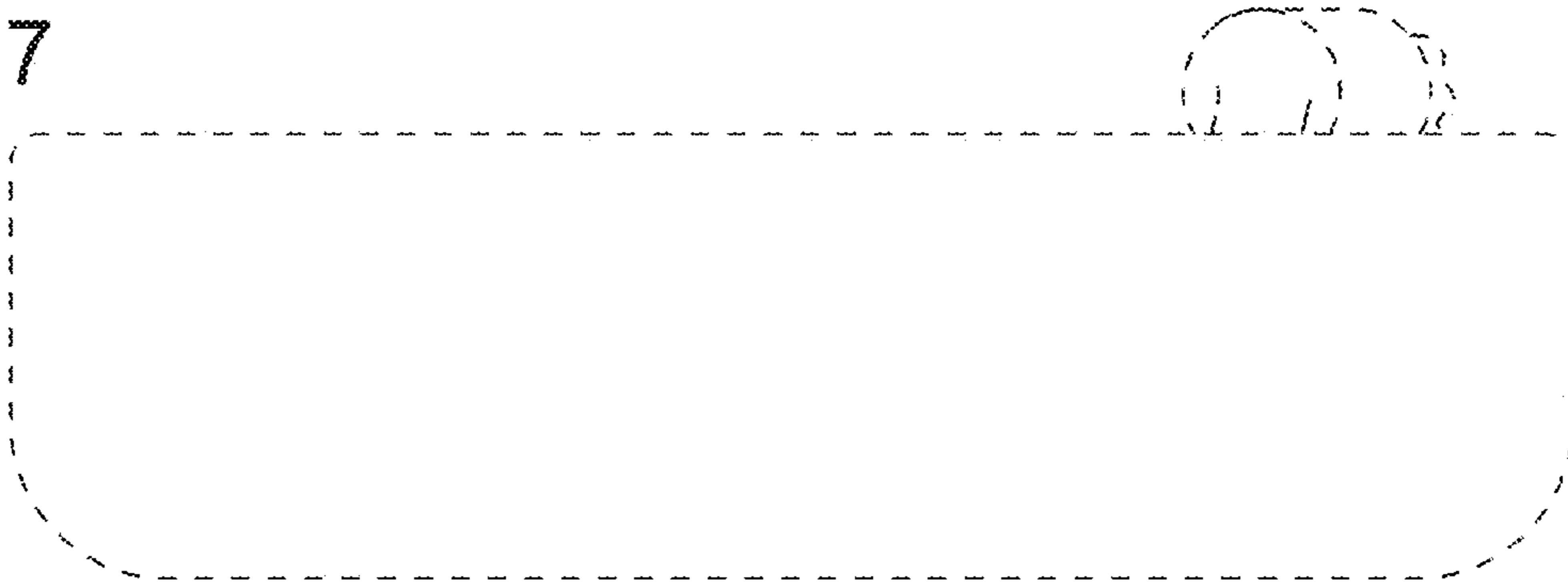


FIG. 17



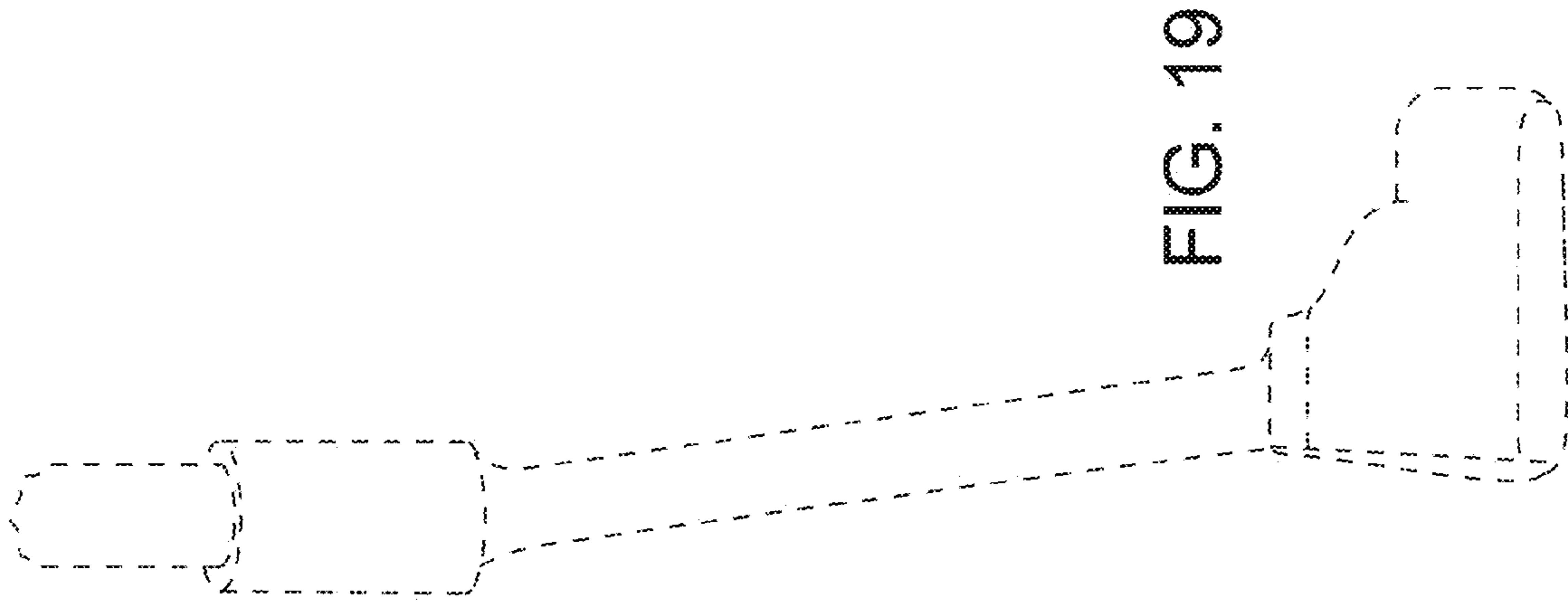


FIG. 19

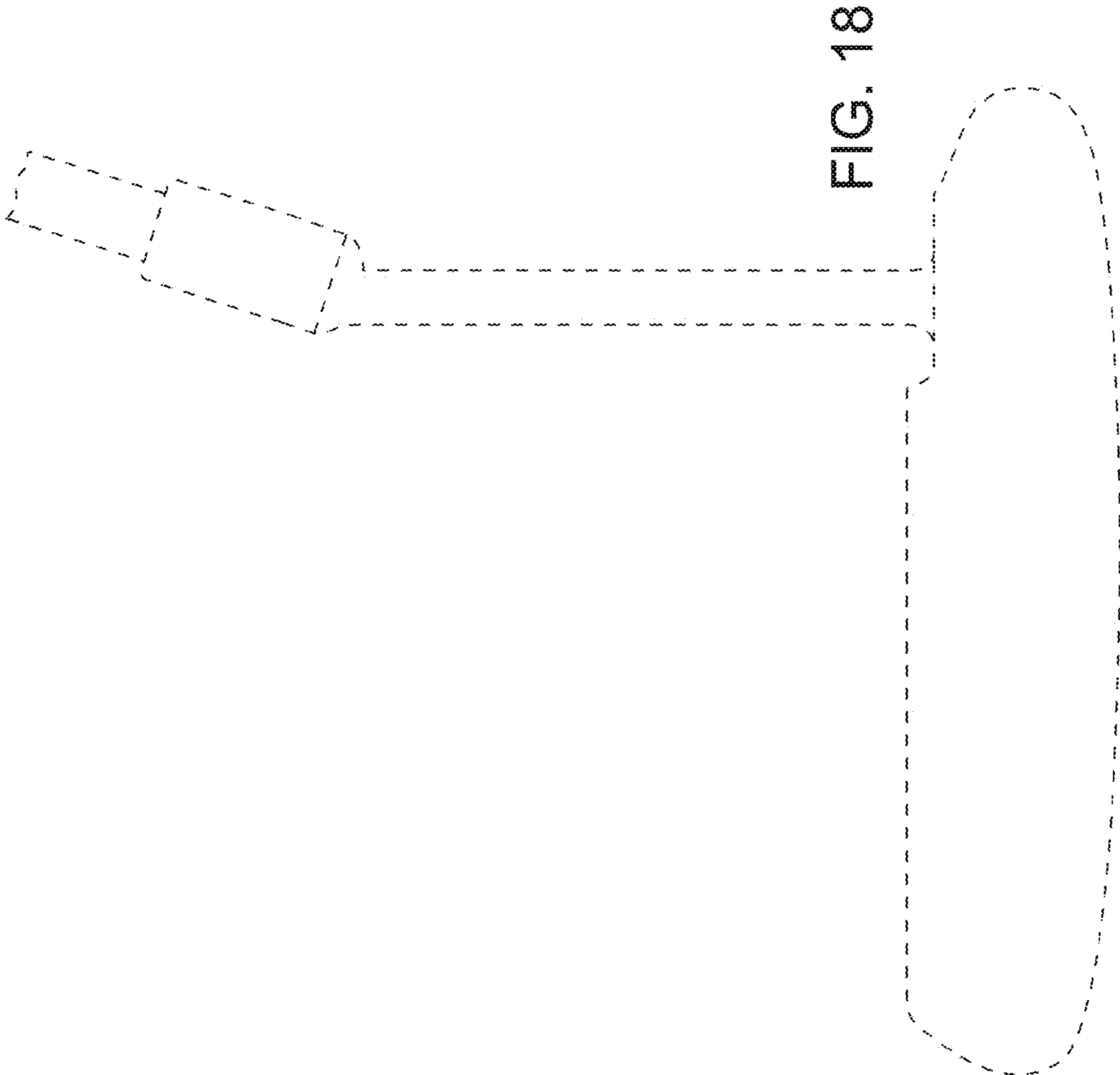


FIG. 18

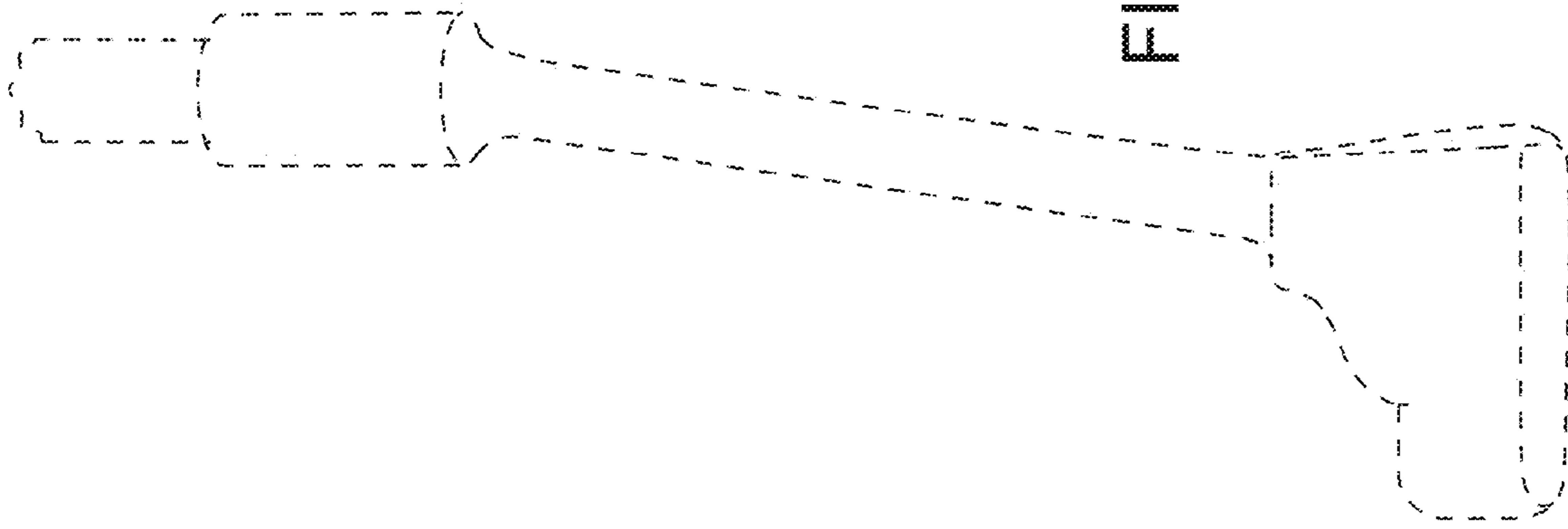


FIG. 21

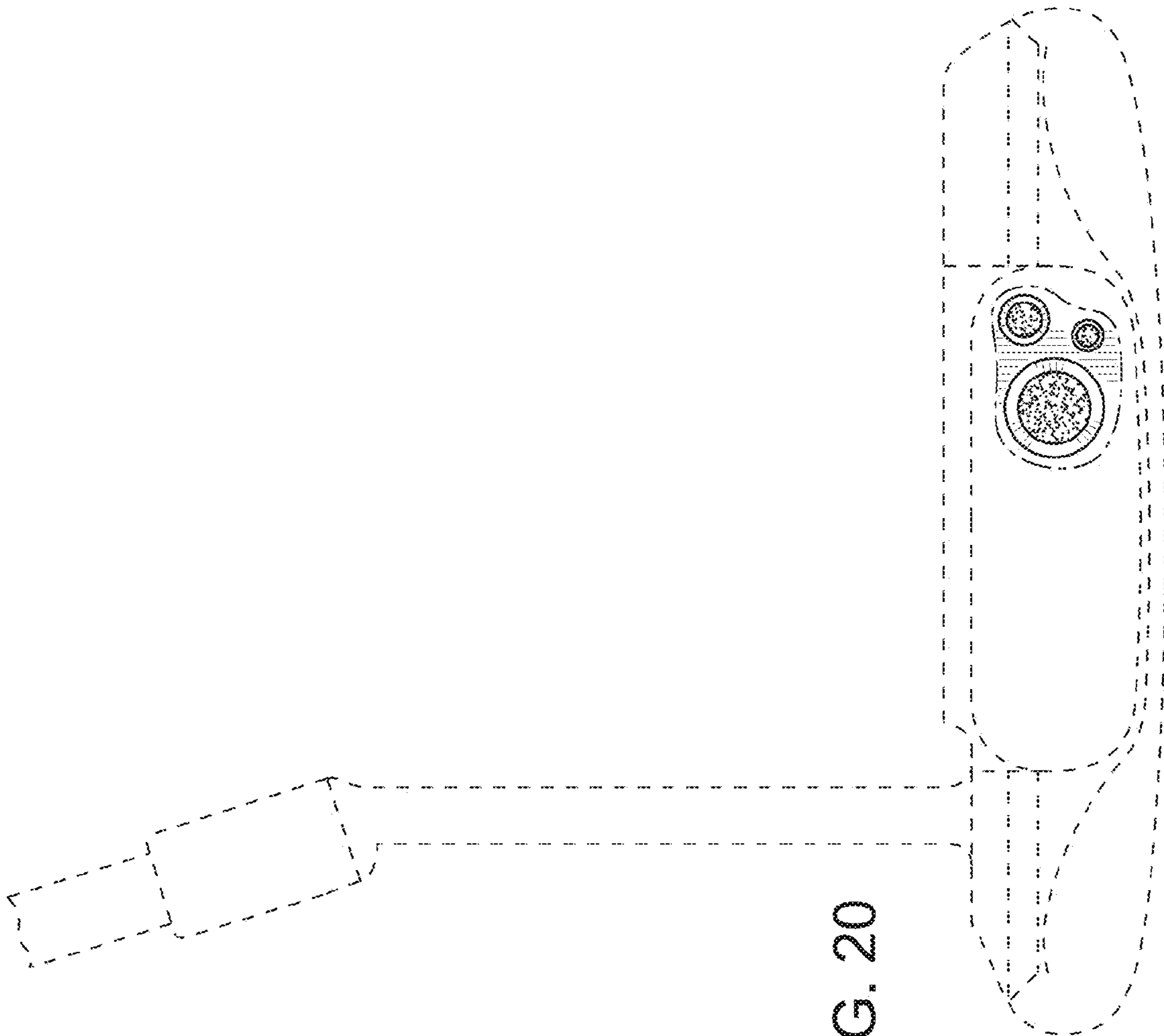


FIG. 20