



US00D910127S

(12) **United States Design Patent** (10) **Patent No.:** **US D910,127 S**
Speas (45) **Date of Patent:** **** Feb. 9, 2021**

(54) **PORTABLE EXERCISE DEVICE**
(71) Applicant: **Noble Speas**, Germanton, NC (US)
(72) Inventor: **Noble Speas**, Germanton, NC (US)
(**) Term: **15 Years**
(21) Appl. No.: **29/680,369**
(22) Filed: **Feb. 15, 2019**
(51) **LOC (13) Cl.** **21-02**
(52) **U.S. Cl.**
USPC **D21/691**
(58) **Field of Classification Search**
USPC D21/662, 673, 686, 691, 694, 798, 826;
D25/62, 66, 68, 119, 126; D6/329;
D8/323, 354
CPC . A63B 21/026; A63B 23/1218; A63B 71/023;
A63B 9/00
See application file for complete search history.

RE43,397 E * 5/2012 Rogers D21/694
D664,624 S * 7/2012 Orsulak D21/826
D665,861 S * 8/2012 Ecsedy D21/694
D686,287 S * 7/2013 Boatwright D21/691
D694,349 S * 11/2013 Chen D21/688
D698,402 S * 1/2014 Saletta D21/691
D701,581 S * 3/2014 Heitzman D21/686
D728,708 S * 5/2015 Green D21/679
D796,387 S * 9/2017 Lee D12/115
D798,015 S * 9/2017 Gresham D34/6
D843,520 S * 3/2019 Thompson D21/691
D843,521 S * 3/2019 Haddad D21/691
D848,556 S * 5/2019 Bolillo A63B 26/003
D21/691
D855,721 S * 8/2019 Bentsen D21/691
D868,911 S * 12/2019 Rogers D21/691

(Continued)

Primary Examiner — Cynthia Ramirez
Assistant Examiner — Michael A Maharajh
(74) *Attorney, Agent, or Firm* — Matthew L. Jamison

(57) **CLAIM**

The ornamental design a portable exercise device, as shown and described.

(56) **References Cited**

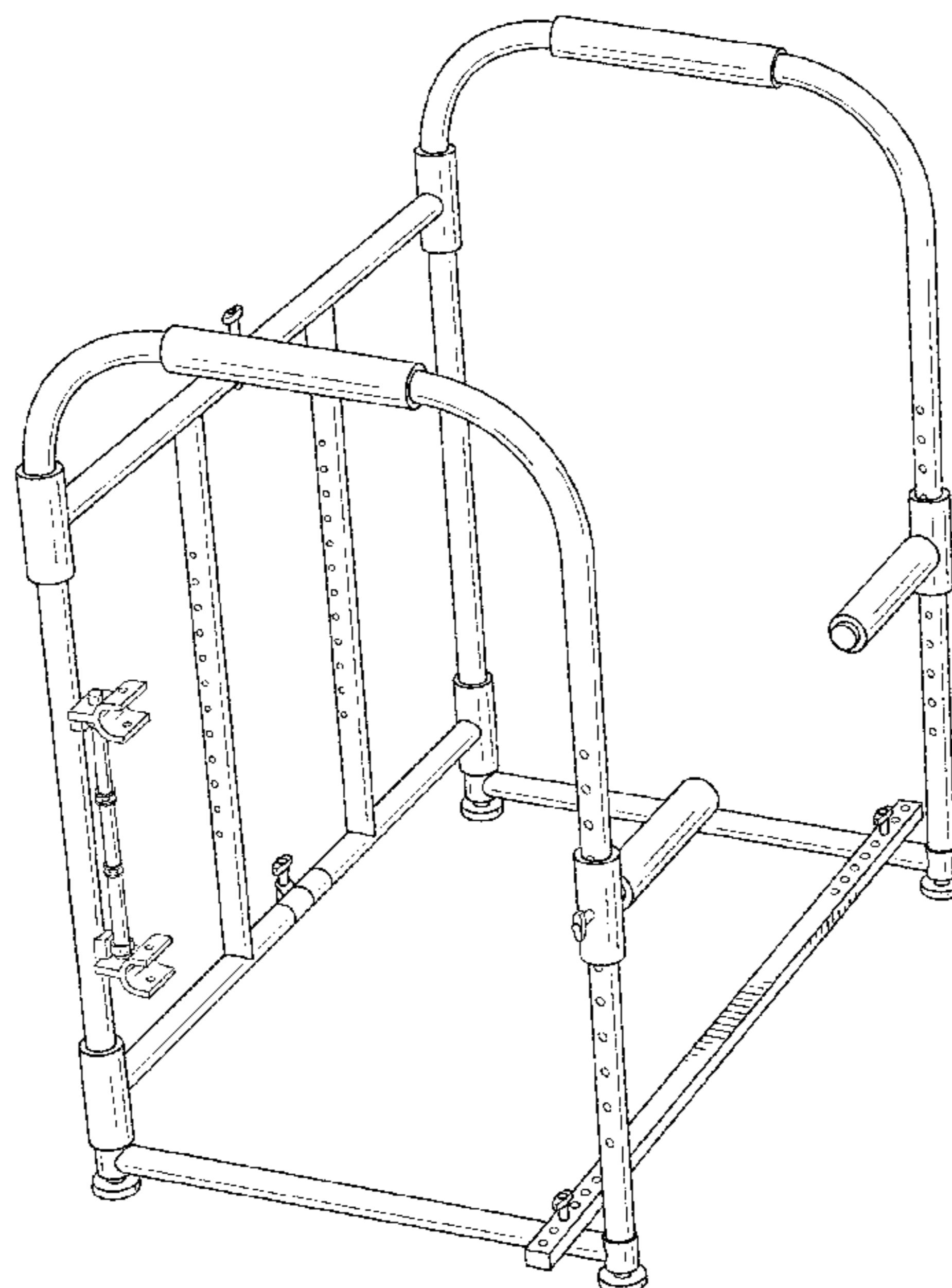
U.S. PATENT DOCUMENTS

D314,025 S * 1/1991 Shimer D21/691
D324,708 S * 3/1992 Walsh D21/691
D352,540 S * 11/1994 Harger D21/691
D355,005 S * 1/1995 Voothanel, Jr. D21/691
D392,005 S * 3/1998 Piaget D21/668
D394,482 S * 5/1998 Colonello D21/673
D408,480 S * 4/1999 Haugo D21/691
D503,757 S * 4/2005 Sjurdagardi D21/686
D506,516 S * 6/2005 Yang D21/686
D525,668 S * 7/2006 Payne D21/691
7,144,353 B2 * 12/2006 Sjuragari A63B 21/00047
482/142
D578,582 S * 10/2008 Gomez D21/686
D593,169 S * 5/2009 Storch D21/686
D617,400 S * 6/2010 Hetzel D21/691
D628,663 S * 12/2010 Loucks D21/694
D633,962 S * 3/2011 Stacey D21/691

DESCRIPTION

FIG. 1 is a top perspective view of a portable exercise device showing my new design;
FIG. 2. is a top plan view thereof;
FIG. 3. is a bottom view thereof;
FIG. 4. is a rear elevation thereof;
FIG. 5. is a front elevation view thereof;
FIG. 6. is a right side elevation view thereof;
FIG. 7. is a left side elevation view thereof;
FIG. 8 is a top perspective view showing the portable exercise device in a partially collapsed position thereof; and,
FIG. 9. is a right perspective view thereof showing the portable exercise device in a fully collapsed position.

1 Claim, 9 Drawing Sheets



(56)

References Cited

U.S. PATENT DOCUMENTS

2005/0187083 A1* 8/2005 Krystoff A63B 21/00047
482/140
2005/0192126 A1* 9/2005 Remaklus A63B 67/02
473/447
2005/0209054 A1* 9/2005 Thomas Lebert A63B 1/00
482/41

* cited by examiner

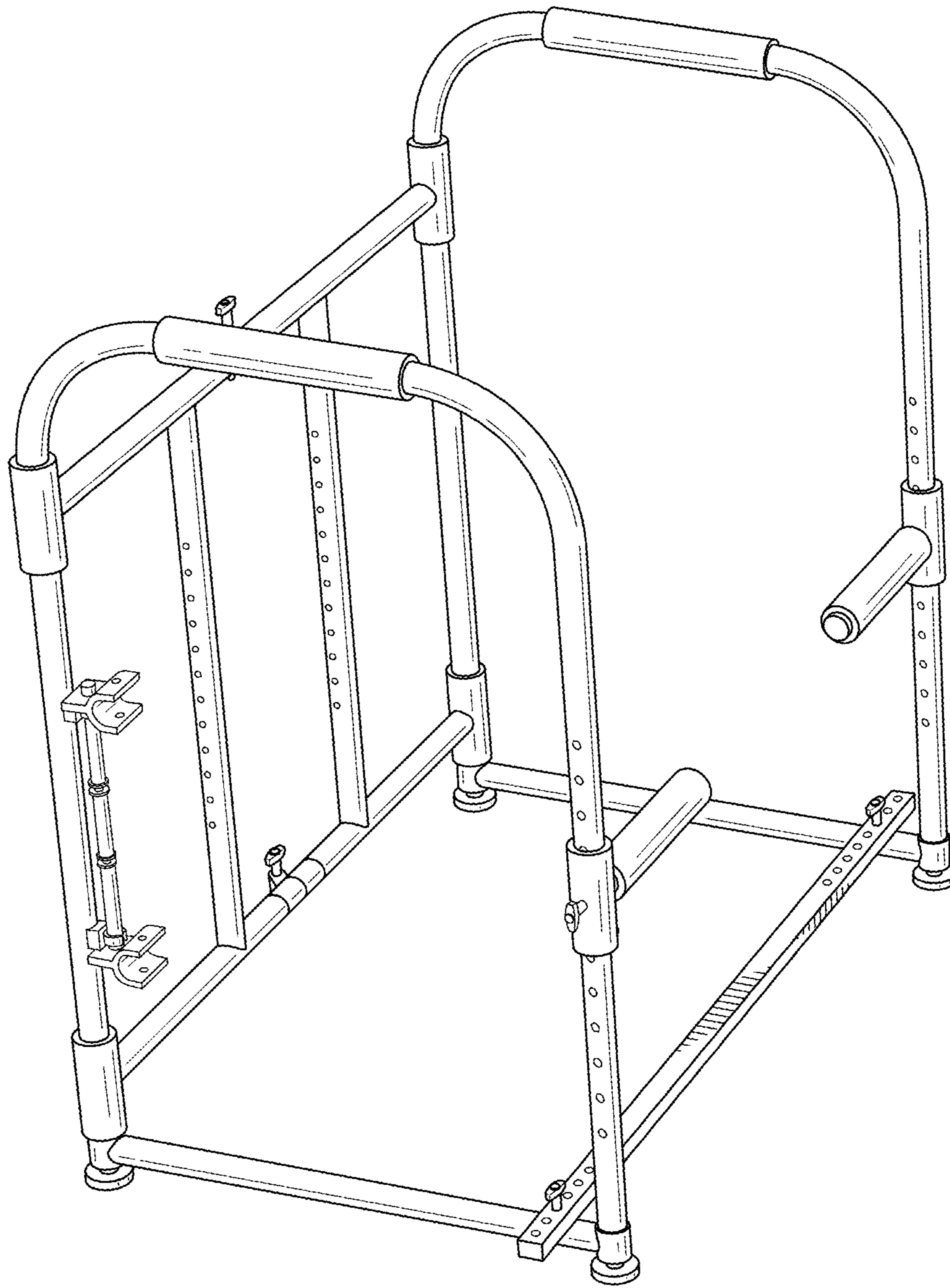


FIG. 1

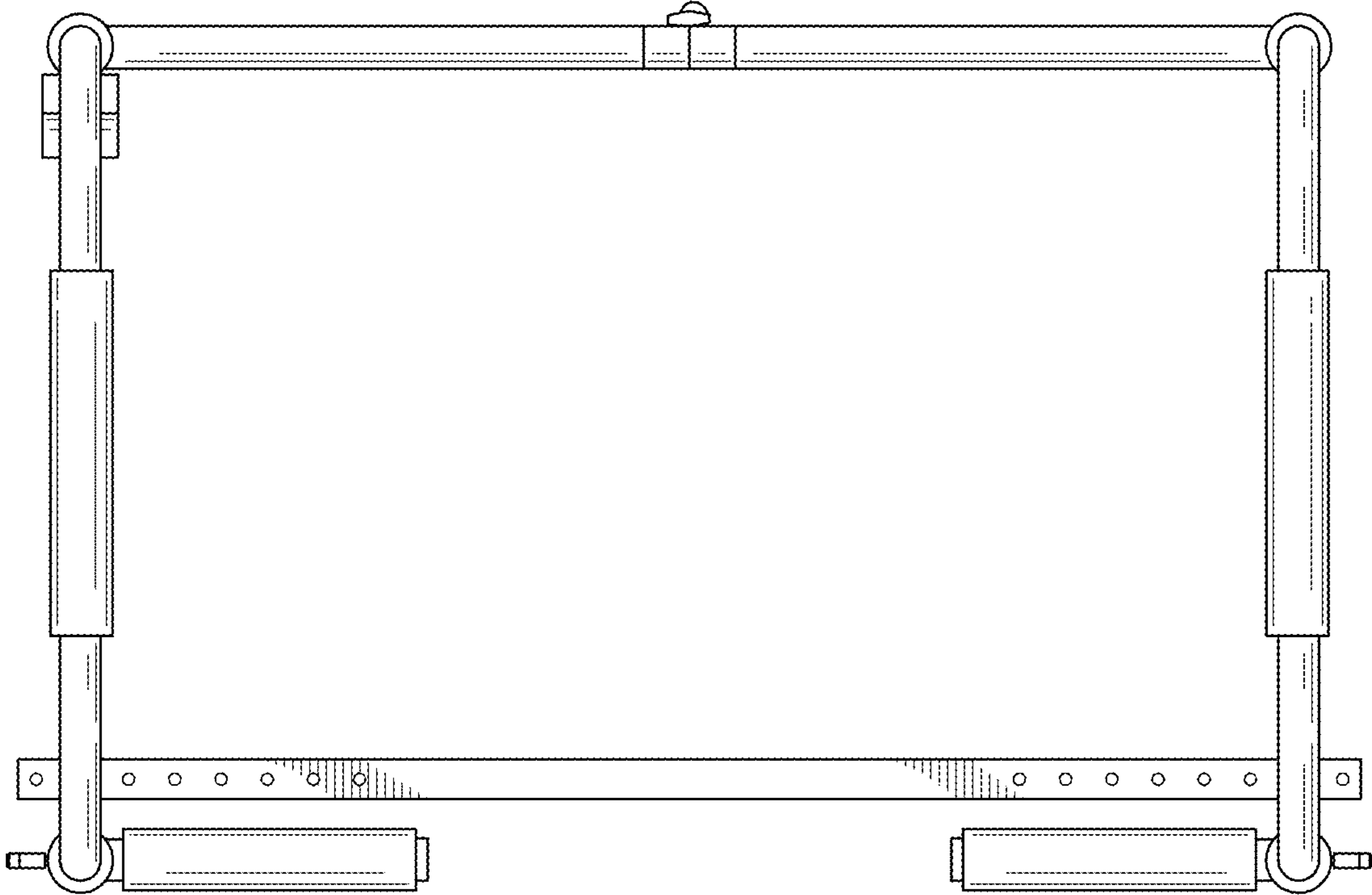


FIG. 2

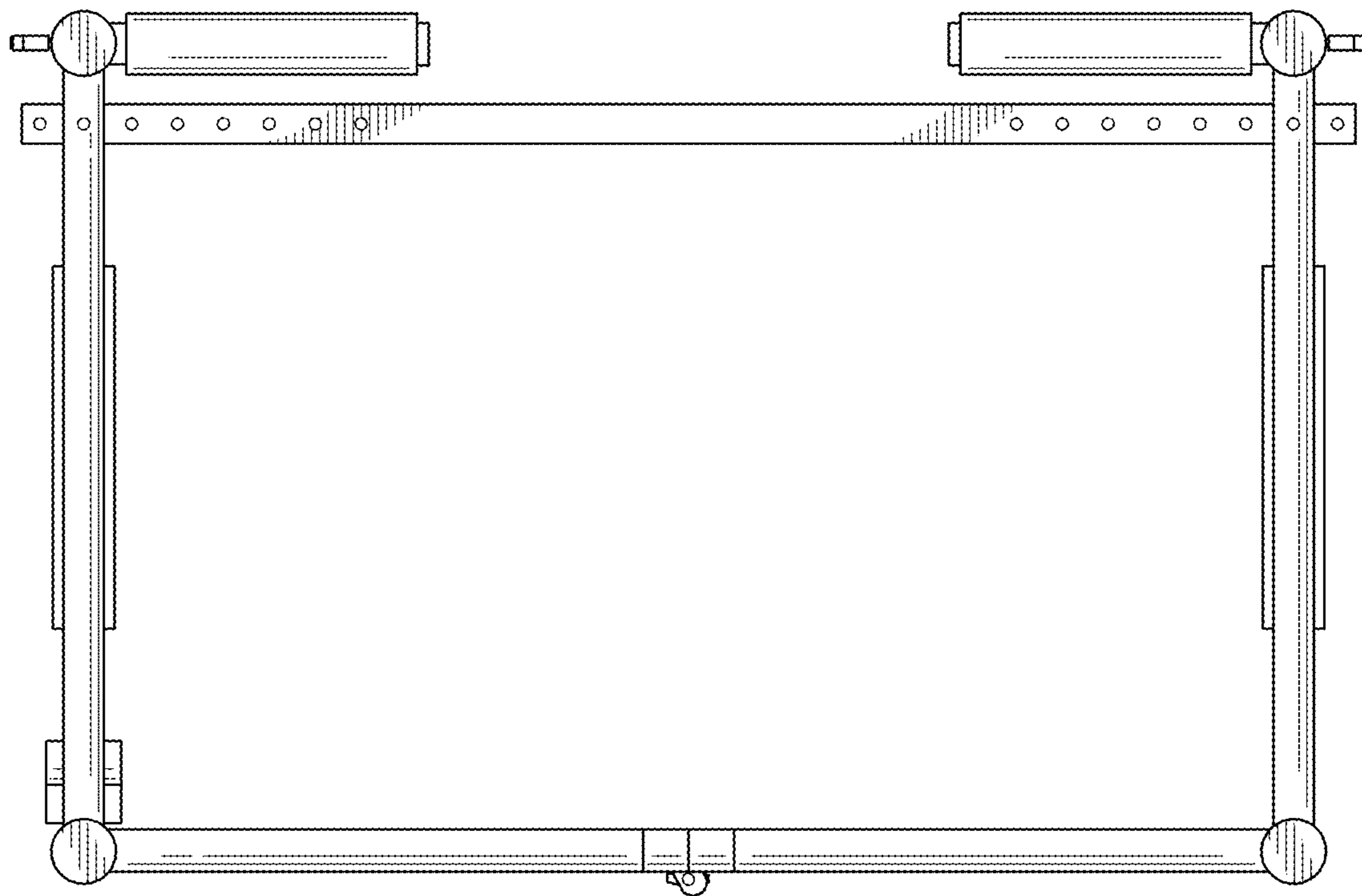


FIG. 3

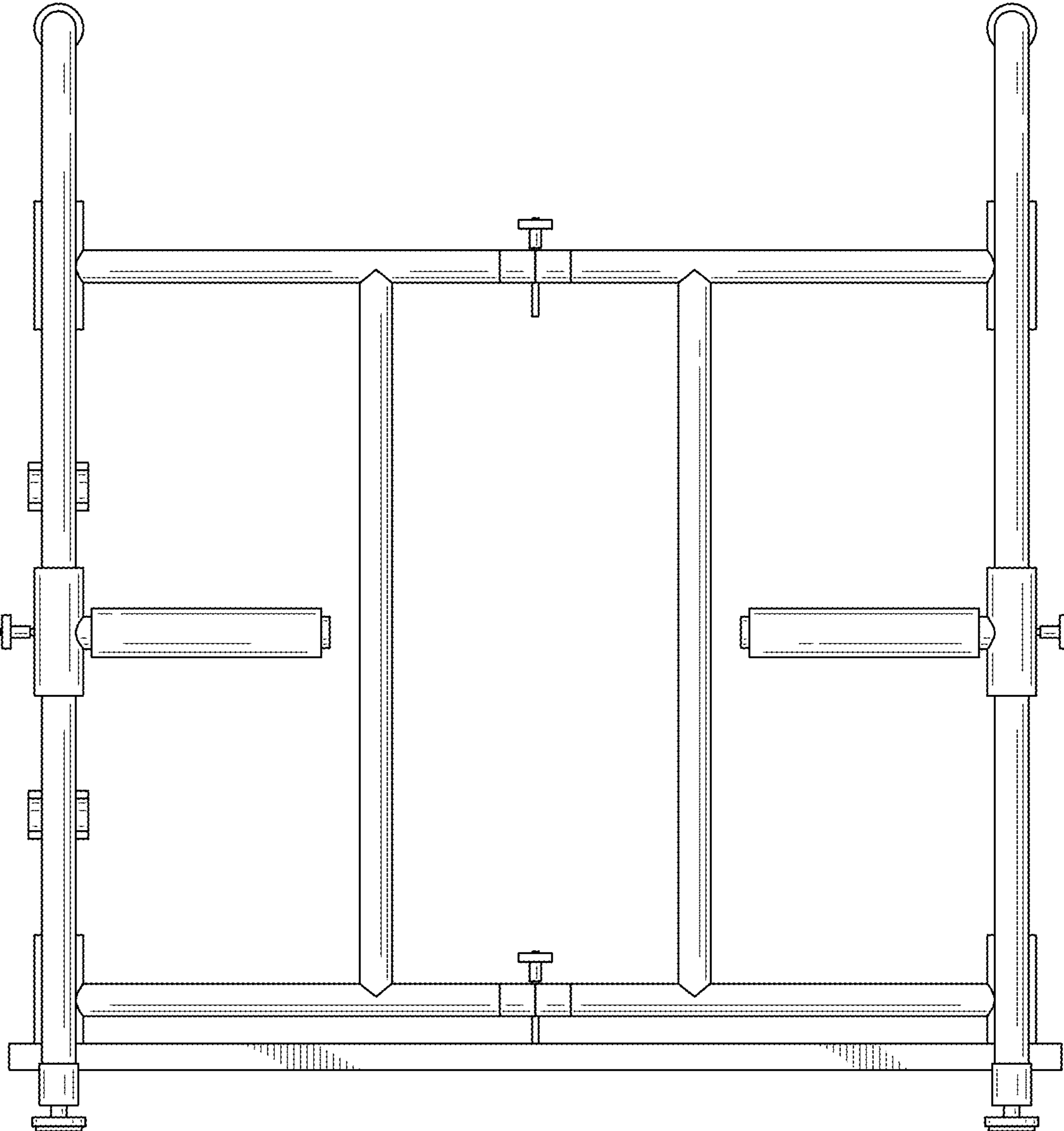


FIG. 4

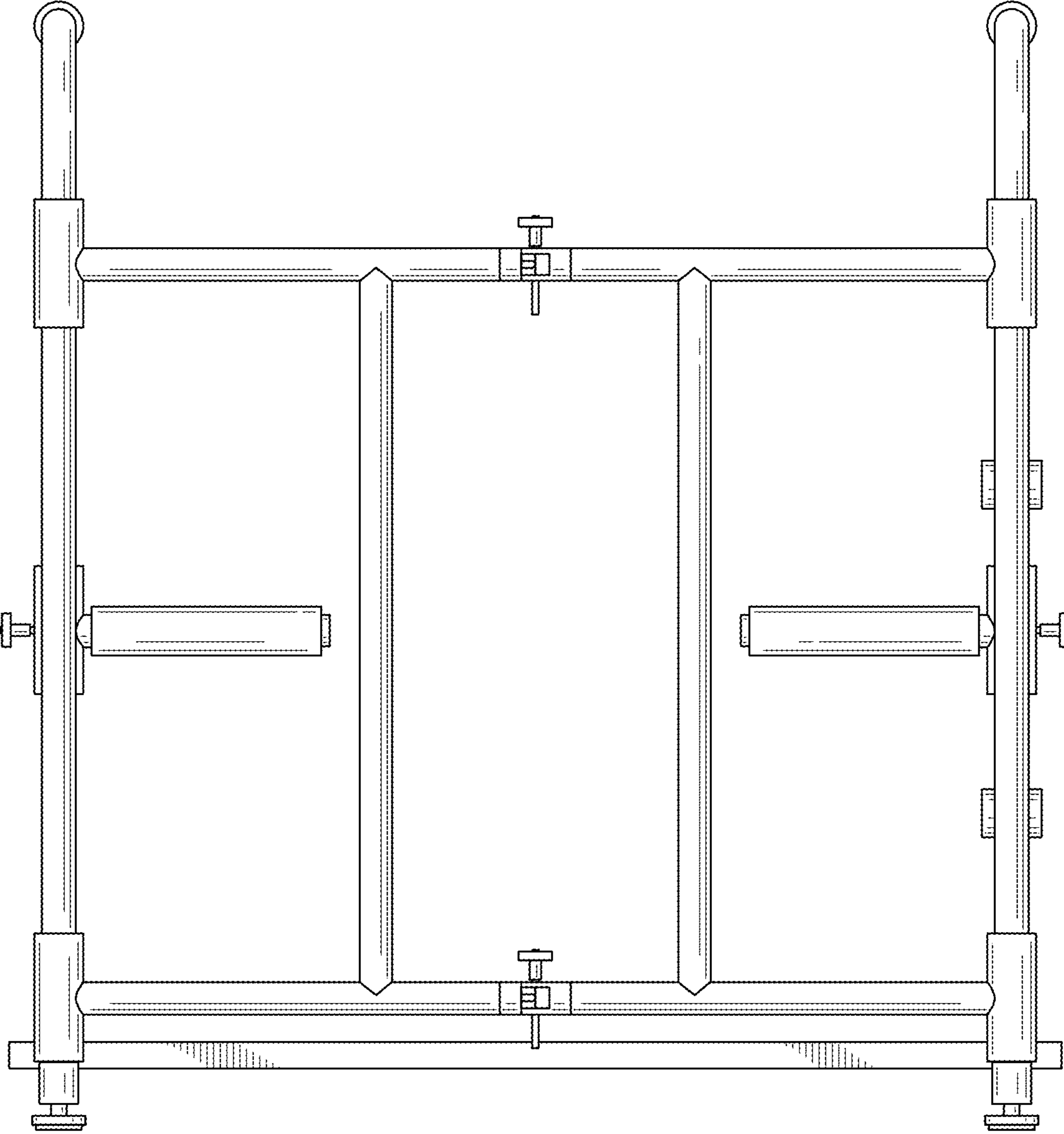


FIG. 5

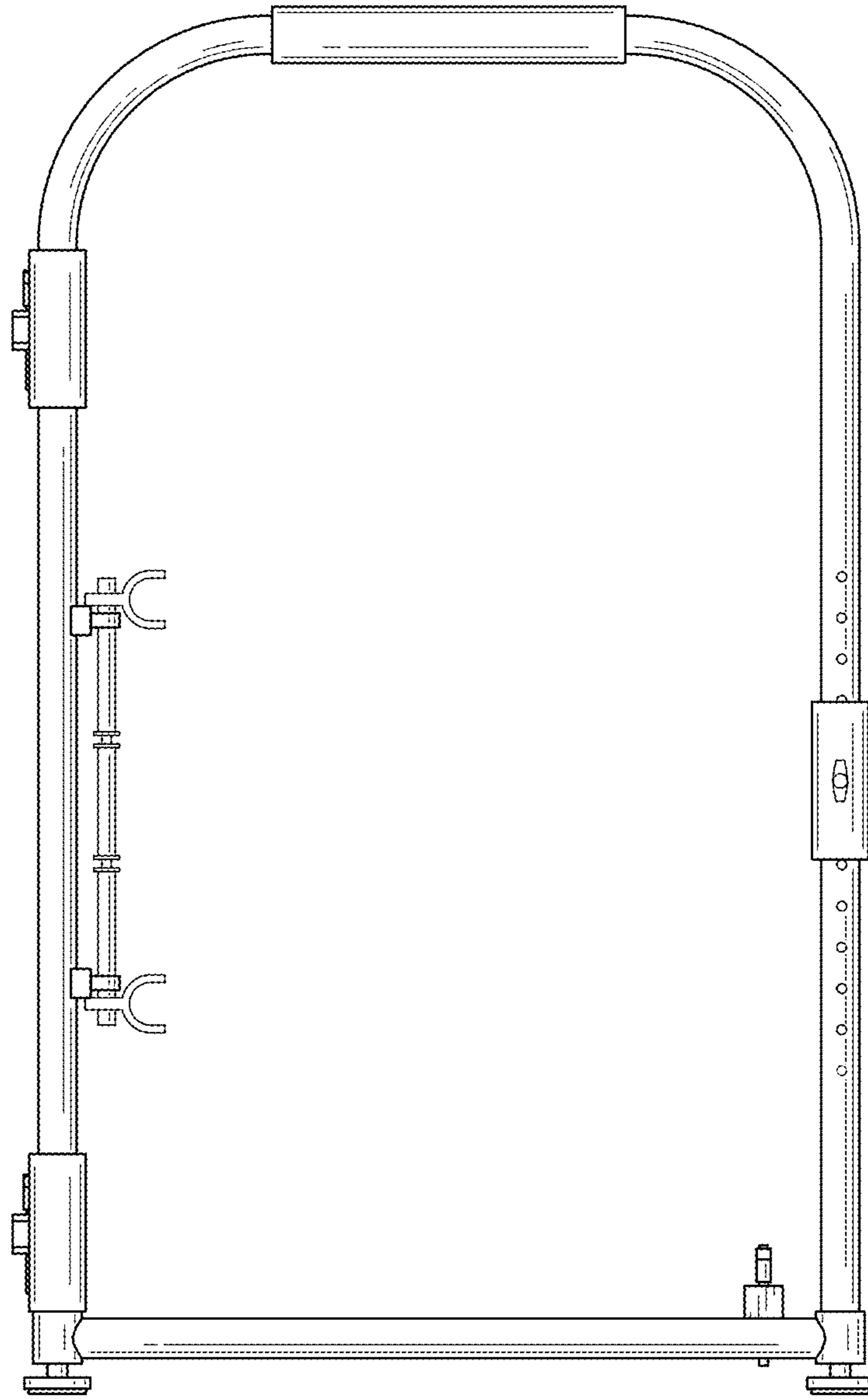


FIG. 6

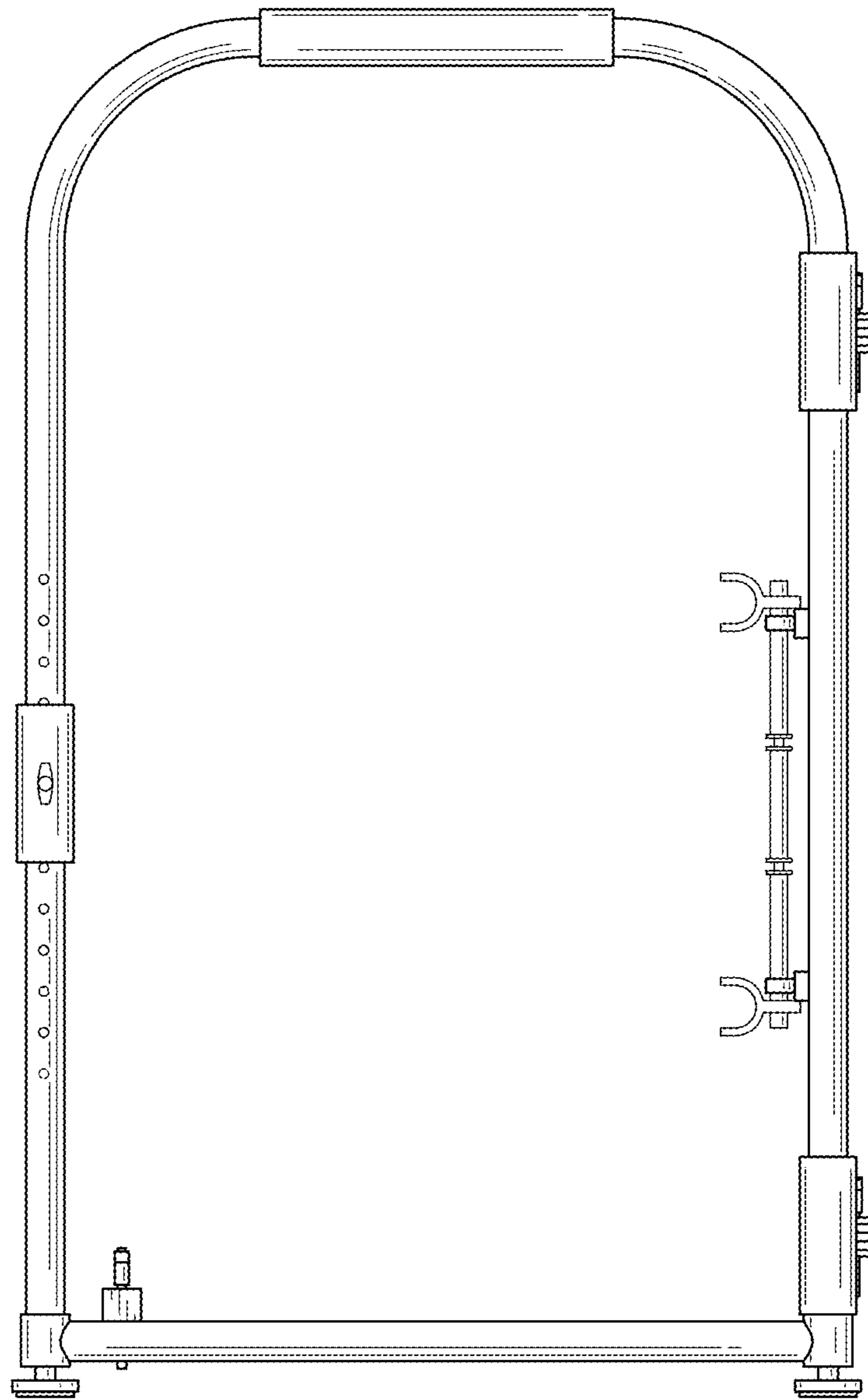


FIG. 7

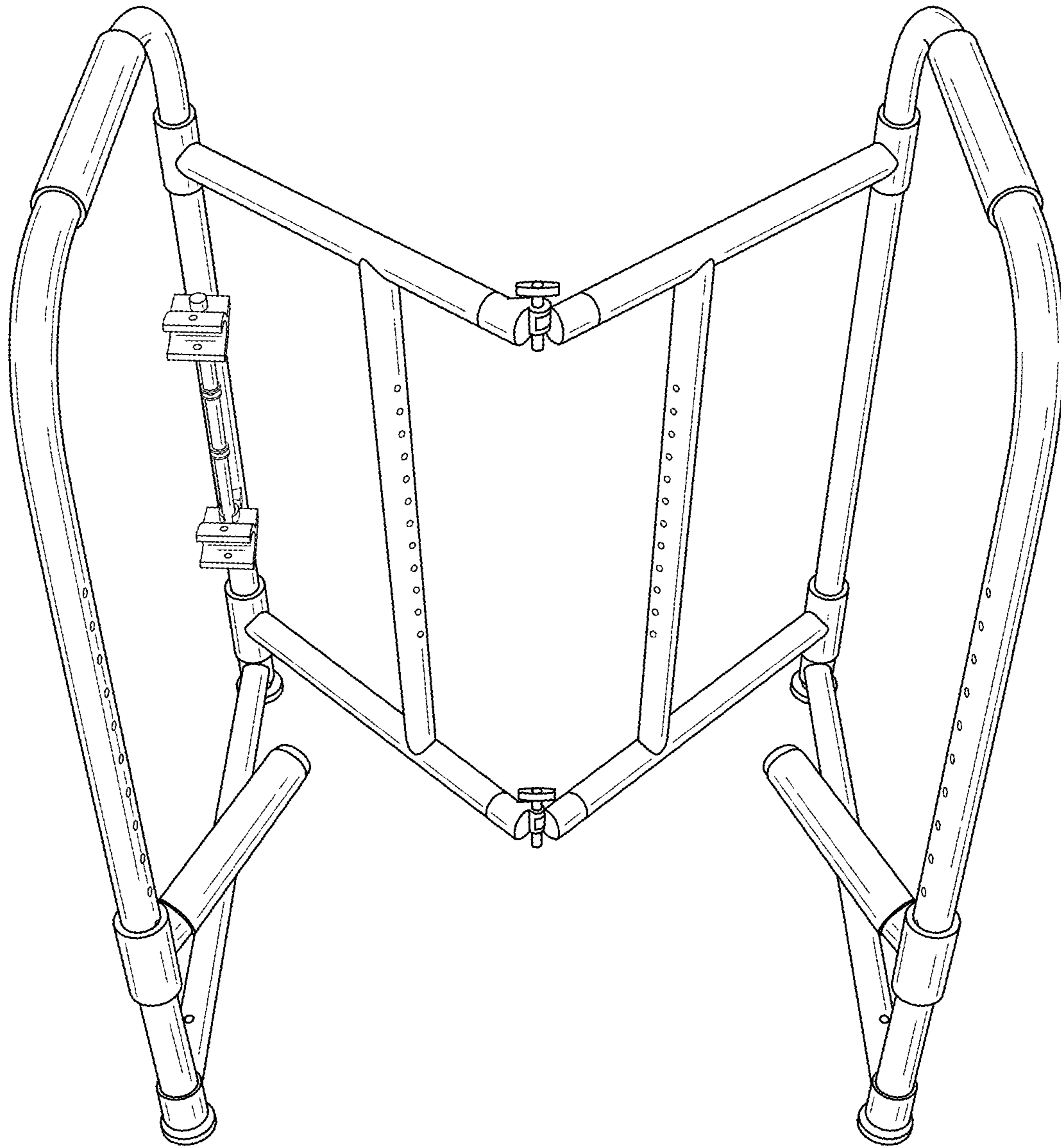


FIG. 8

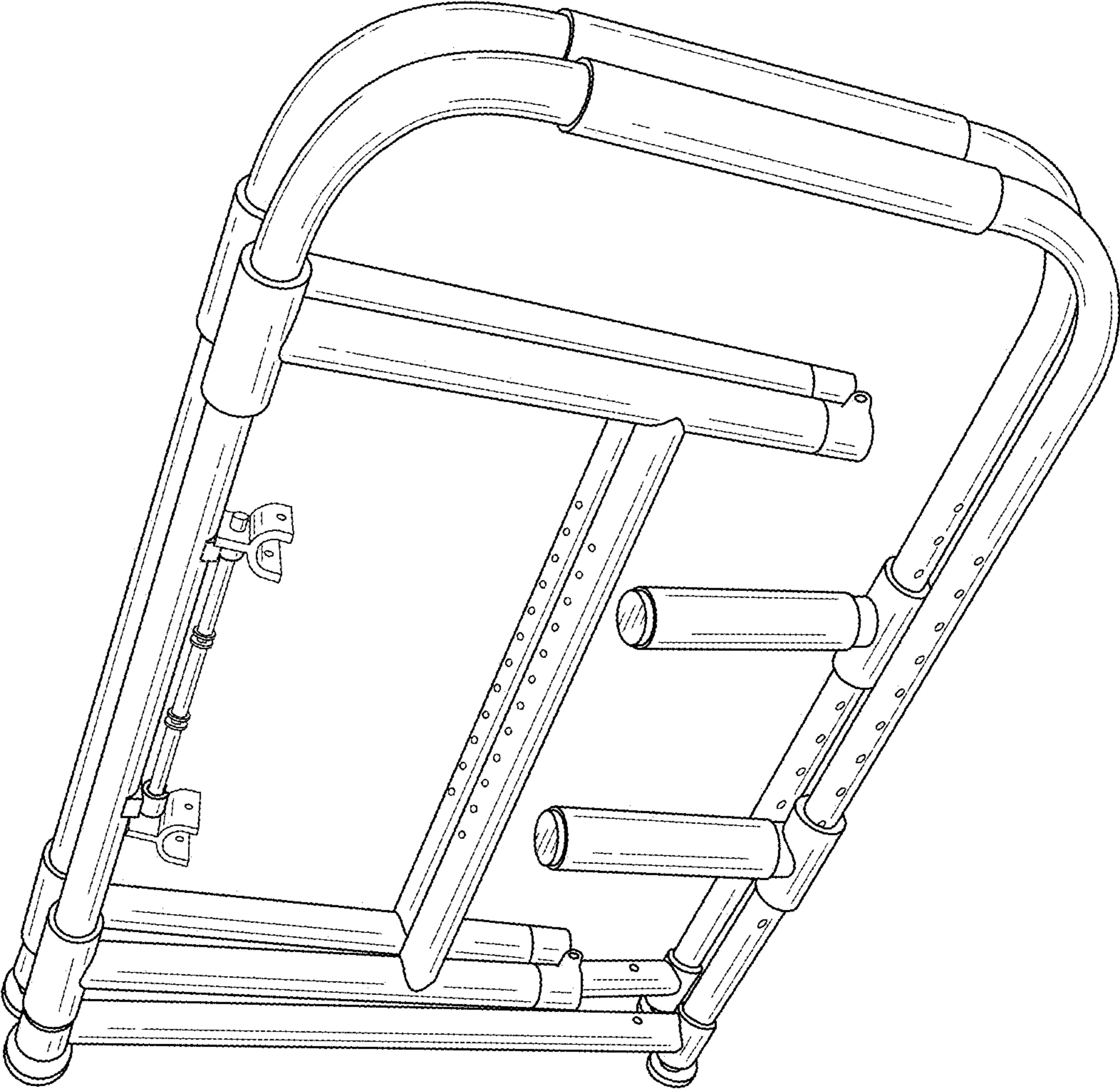


FIG. 9