



US00D910126S

(12) **United States Design Patent**  
**DiMarco**

(10) **Patent No.:** **US D910,126 S**  
(45) **Date of Patent:** **\*\* Feb. 9, 2021**

- (54) **BODY STRETCHING BAR**
- (71) Applicant: **John DiMarco**, Massapequa, NY (US)
- (72) Inventor: **John DiMarco**, Massapequa, NY (US)
- (\*\*) Term: **15 Years**
- (21) Appl. No.: **29/651,881**
- (22) Filed: **May 29, 2019**
- (51) **LOC (13) Cl.** ..... **21-02**
- (52) **U.S. Cl.**  
USPC ..... **D21/691**; D21/679
- (58) **Field of Classification Search**  
USPC ..... D8/14; D6/349; D32/42; D25/67;  
D21/694, 691, 690, 689, 688, 686, 685,  
D21/684, 682, 681, 680, 679, 662;  
D14/209.1; 482/95, 93, 91, 83, 8, 51, 5,  
482/49, 45, 44, 41, 40, 38, 36, 34, 25,  
482/148, 146, 142, 141, 139, 138, 132,  
482/131, 121, 111, 108, 107, 106, 104,  
482/100  
CPC ..... A63B 23/1236; A63B 21/4035; A63B  
21/00047; A63B 23/12; A63B 2210/50;  
A63B 21/068; A63B 23/03541; A63B  
23/0211; A63B 21/0004; A63B 23/1218;  
A63B 23/1227; A63B 21/4049; A63B  
2208/0219; A63B 2208/0295; A63B  
23/1209; A63B 1/00  
See application file for complete search history.

(56) **References Cited**

U.S. PATENT DOCUMENTS

- 2,666,640 A \* 1/1954 Jennings, Sr. .... A63B 3/00  
482/141
- 2,817,347 A \* 12/1957 Hilt, Sr. .... A61H 3/00  
135/65
- 2,919,918 A \* 1/1960 Horn ..... A63B 21/00047  
482/142

- 3,016,267 A \* 1/1962 Cones ..... A47C 16/02  
297/423.41
- 3,077,347 A \* 2/1963 Nova ..... A63B 21/00054  
482/142
- 3,809,393 A \* 5/1974 Jones ..... A63B 22/20  
482/132
- 4,103,887 A \* 8/1978 Shoofler ..... A63B 21/0602  
482/106
- 4,126,308 A \* 11/1978 Crumley ..... A63B 22/20  
482/148
- 4,176,835 A \* 12/1979 Aziz ..... A63B 23/0211  
482/140

(Continued)

OTHER PUBLICATIONS

Pink by Shape Stretch dated no date given. Found online [Oct. 27, 2020] <https://shapestretch.com/products/mystretchbar-commercial-stretching-equipment-with-guide-videos-1>.\*

*Primary Examiner* — Ryan Harvey

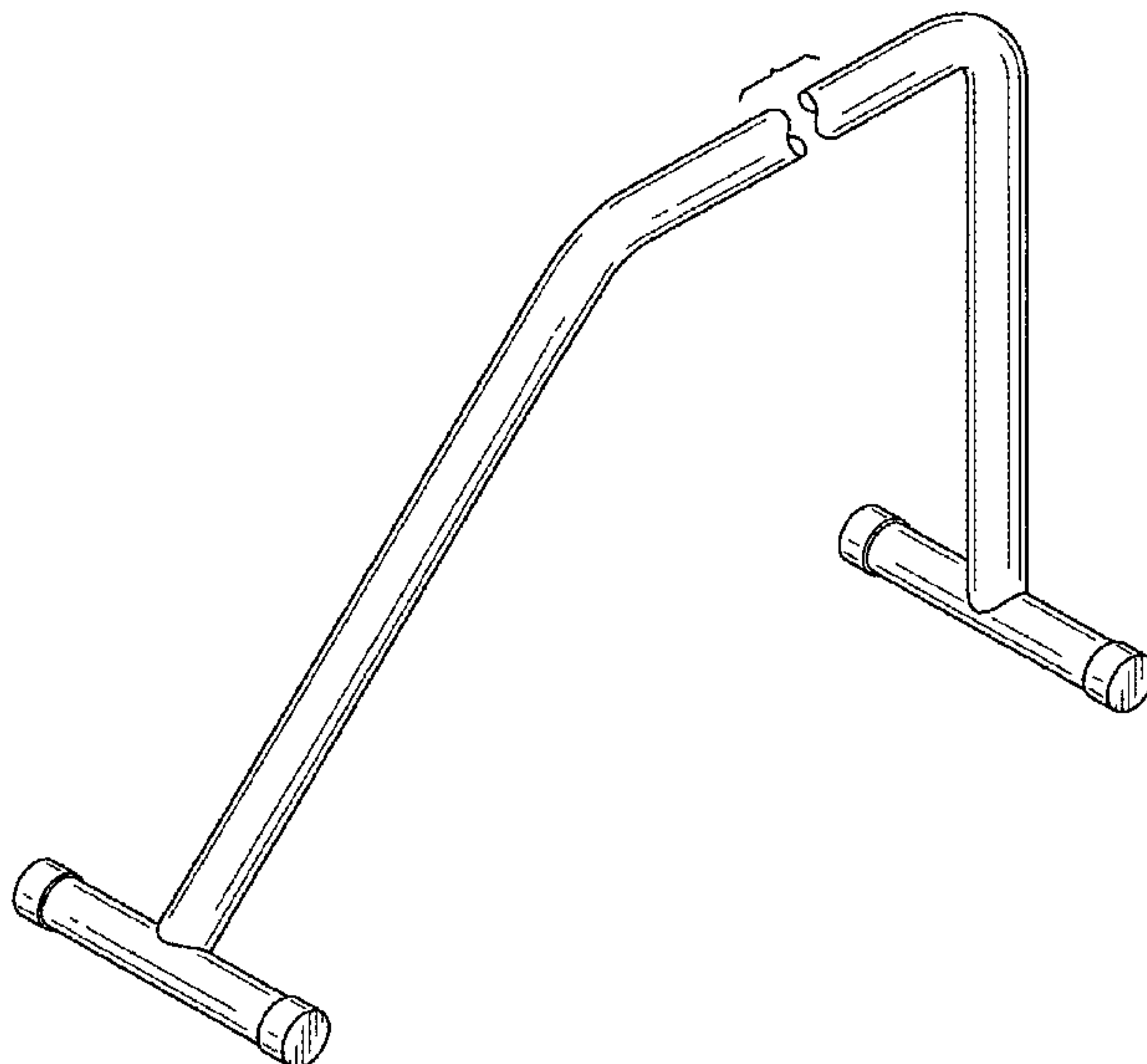
(57) **CLAIM**

The ornamental design for a body stretching bar, as shown and described.

**DESCRIPTION**

FIG. 1 is a perspective view of the body stretching bar; FIG. 2 is a front elevation view thereof; FIG. 3 is a rear elevation view thereof; FIG. 4 is a left side elevation view thereof; FIG. 5 is a right side elevation view thereof; FIG. 6 is a top plan view thereof; FIG. 7 is a bottom plan view thereof; and, FIG. 8 is an additional perspective view of the body stretching bar in a typical environment. The broken lines of FIG. 8 depict environment and form no part of the claimed design. The claimed design is shown with a symbolic break in its length. The appearance of any portion of the article between the break lines forms no part of the claimed design.

**1 Claim, 8 Drawing Sheets**



(56)

References Cited

U.S. PATENT DOCUMENTS

4,185,816	A *	1/1980	Bernstein	.....	A63B 21/1645	482/140	D525,668	S *	7/2006	Payne	.....	D21/691
4,212,458	A *	7/1980	Bizilia	.....	A63B 21/1654	482/140	D536,753	S *	2/2007	Rongo	.....	D21/685
4,232,863	A *	11/1980	Roach	.....	A63B 21/00047	482/141	D562,016	S *	2/2008	Tomasch	.....	D6/349
4,327,907	A *	5/1982	DeVries	.....	A63B 21/00047	482/141	D580,998	S *	11/2008	Lin	.....	D21/686
4,351,525	A *	9/1982	Rozenblad	.....	A63B 23/12	482/141	D585,947	S *	2/2009	Royster	.....	D21/662
4,380,231	A *	4/1983	Rocha	.....	A61H 15/00	482/79	D593,169	S *	5/2009	Storch	.....	D21/686
D269,691	S *	7/1983	Ornstein	.....	D21/691	482/41	7,637,855	B2 *	12/2009	Bizzell	.....	A63B 21/0004
4,406,450	A *	9/1983	Regan	.....	A63B 3/00	482/41	7,651,449	B1 *	1/2010	Balentine	.....	A63B 23/12
D277,218	S *	1/1985	Hinds	.....	D21/687	482/141	7,658,702	B1 *	2/2010	Harms	.....	A63B 21/4029
4,539,977	A *	9/1985	Schneider, Sr.	.....	A47C 16/02	482/141	7,662,067	B2 *	2/2010	Payne	.....	A63B 21/00047
D281,006	S *	10/1985	Durushia	.....	D21/687	482/141	7,780,575	B1 *	8/2010	Goodwin, III	.....	A63B 21/169
4,666,154	A *	5/1987	Lipscomb	.....	A63B 21/00047	482/142	D631,560	S *	1/2011	Merritt, Sr.	.....	D25/67
D301,361	S *	5/1989	Harlan	.....	D21/691	482/141	7,892,158	B2 *	2/2011	Varga	.....	A63B 21/4017
4,850,589	A *	7/1989	Block	.....	A63B 21/00047	482/36	D635,622	S *	4/2011	Martin	.....	D21/681
4,854,573	A *	8/1989	Johannson	.....	A63B 23/12	482/141	8,075,425	B2 *	12/2011	Conwright	.....	A63B 69/0071
4,923,194	A *	5/1990	Montgomery	...	A63B 21/00047	482/141	8,088,052	B1 *	1/2012	Sprague	.....	A63B 21/0004
D315,003	S *	2/1991	Huang	.....	D21/682	482/106	D653,714	S *	2/2012	Meininger	.....	D21/662
5,102,124	A *	4/1992	Diodati	.....	A63B 21/0605	434/258	D654,545	S *	2/2012	Richard	.....	D21/662
5,180,349	A *	1/1993	Marcus	.....	A63B 7/08	482/141	D662,997	S *	7/2012	Su	.....	D21/662
5,181,897	A *	1/1993	Agan	.....	A63B 23/12	482/141	D666,684	S *	9/2012	Meininger	.....	D21/662
D332,981	S *	2/1993	Poli	.....	D21/686	482/141	D686,287	S *	7/2013	Boatwright	.....	D21/691
5,230,684	A *	7/1993	Wallisch	.....	A63B 23/12	482/106	D695,364	S *	12/2013	Khalil	.....	D21/662
D339,836	S *	9/1993	Wallisch	.....	D21/692	482/141	D701,581	S *	3/2014	Heitzman	.....	D21/686
5,266,069	A *	11/1993	Thorne	.....	A63B 21/0084	482/141	D703,773	S *	4/2014	Henry	.....	D21/691
D345,468	S *	3/1994	McVicker	.....	D6/349	482/141	D704,779	S *	5/2014	Boatwright	.....	D21/686
D352,540	S *	11/1994	Harger	.....	D21/691	482/141	8,876,677	B2 *	11/2014	Meininger	.....	A63B 23/03541
D354,100	S *	1/1995	Tsay	.....	D21/686	482/132	D725,725	S *	3/2015	White	.....	D21/682
5,466,206	A *	11/1995	Fleming	.....	A63B 23/12	482/141	D744,051	S *	11/2015	Anderson	.....	D21/682
5,527,252	A *	6/1996	Sather	.....	A63B 21/00047	482/131	9,205,295	B2 *	12/2015	Williams	.....	A63B 21/4035
5,607,380	A *	3/1997	Duty	.....	A63B 21/00047	482/141	9,308,416	B1 *	4/2016	Oliverlo	.....	A63B 23/1236
D381,714	S *	7/1997	Easley	.....	D21/694	482/141	D764,607	S *	8/2016	Beckford	.....	D21/679
D382,610	S *	8/1997	Maycock, Jr.	.....	D21/684	482/141	9,409,049	B1 *	8/2016	Brunelo	.....	A63B 21/0726
5,697,875	A *	12/1997	Stan	.....	A63B 21/00047	482/141	D774,605	S *	12/2016	Summers	.....	D21/680
5,752,903	A *	5/1998	Chang	.....	A63B 21/00047	482/140	9,630,054	B1 *	4/2017	Russo	.....	A63B 21/4034
D403,036	S *	12/1998	Ashcraft	.....	D21/686	482/141	9,713,745	B2 *	7/2017	Rogers	.....	A63B 21/4035
D410,050	S *	5/1999	Matte	.....	D21/691	482/141	9,717,948	B1 *	8/2017	Hsu	.....	F16B 7/00
6,117,054	A *	9/2000	Soltanpour	.....	A63B 69/0079	482/141	9,770,614	B1 *	9/2017	Sudeith	.....	A63B 69/0048
D432,603	S *	10/2000	Bullard, Jr.	.....	D21/662	482/141	D799,610	S *	10/2017	Ho	.....	D21/681
6,203,473	B1 *	3/2001	Atwood	.....	A63B 21/00047	482/142	D823,405	S *	7/2018	Roepke	.....	D21/694
6,248,048	B1 *	6/2001	Zuckerman	.....	A63B 21/00047	482/141	10,099,082	B2 *	10/2018	Kravchenko	.....	A63B 23/0482
6,406,406	B1 *	6/2002	Onorati	.....	A63B 21/0004	482/44	D839,365	S *	1/2019	Martinez	.....	D21/662
D460,507	S *	7/2002	Stewart	.....	D21/688	482/141	D841,746	S *	2/2019	Fazzari	.....	D21/691
D479,289	S *	9/2003	Turner	.....	D21/662	482/141	D841,915	S *	2/2019	Cira	.....	D32/42
D480,772	S *	10/2003	Washington	.....	D21/686	482/141	10,207,142	B2 *	2/2019	Le Nguyen	.....	A63B 21/068
6,773,379	B1 *	8/2004	Bing	.....	A63B 22/20	482/132	10,213,640	B2 *	2/2019	St. Jeor	.....	A63B 21/4035
							D843,520	S *	3/2019	Thompson	.....	D21/691
							D844,075	S *	3/2019	St. Jeor	.....	D21/662
							D844,078	S *	3/2019	Salomone	.....	D21/691
							10,220,252	B2 *	3/2019	Jackson	.....	A63B 23/1218
							D846,664	S *	4/2019	Martinez	.....	D21/662
							10,272,288	B2 *	4/2019	Brown	.....	A63B 21/015
							10,292,884	B2 *	5/2019	Silverstein	.....	A61G 7/053
							10,307,635	B1 *	6/2019	Khalil	.....	A63B 21/4035
							10,413,772	B2 *	9/2019	Zachariadis	.....	A63B 21/0605
							D866,685	S *	11/2019	Laurence	.....	D21/681
							D868,911	S *	12/2019	Rogers	.....	D21/691
							D878,496	S *	3/2020	Hoppe	.....	D21/680
							D886,921	S *	6/2020	Cedro	.....	D21/686
							D890,269	S *	7/2020	Grant	.....	D21/679
							D891,539	S *	7/2020	Sun	.....	D21/681
							2003/0004042	A1 *	1/2003	Burrell	.....	A63B 21/00047
							2003/0104909	A1 *	6/2003	Teran	.....	A63B 21/00047
							2003/0199375	A1 *	10/2003	Edwards	.....	A63B 23/12
							2005/0101461	A1 *	5/2005	Johnson	.....	A63B 21/4025



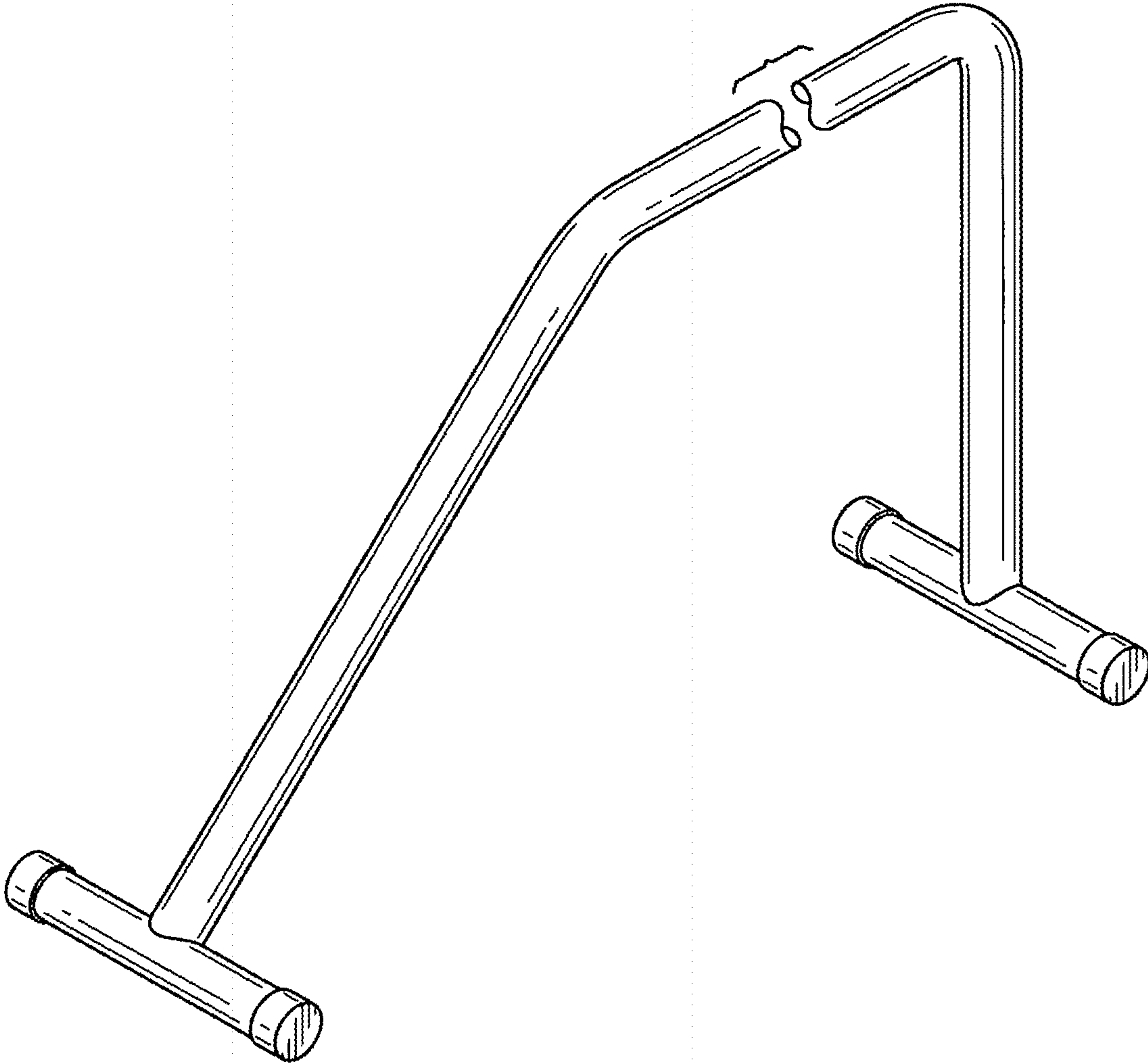
(56)

References Cited

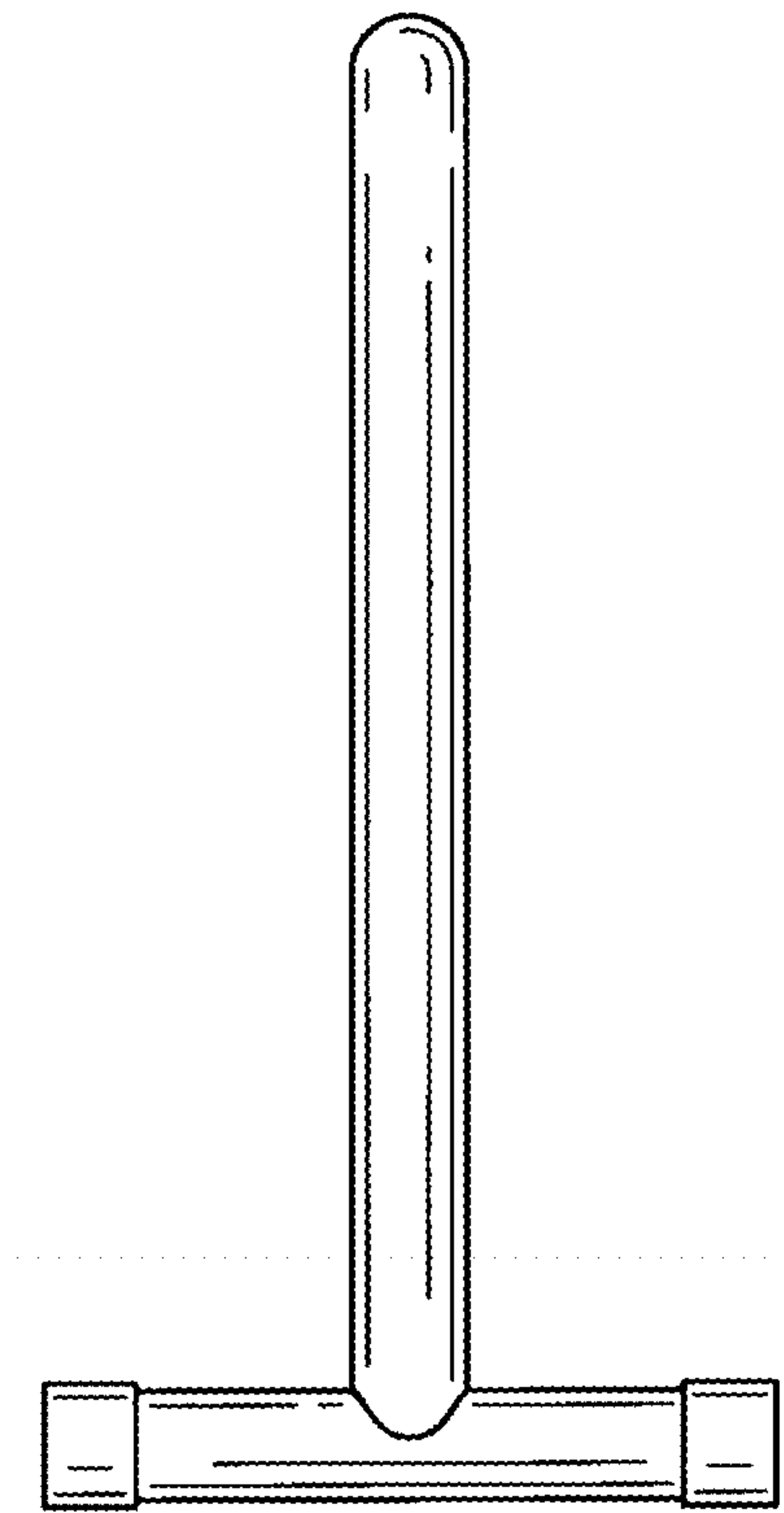
U.S. PATENT DOCUMENTS

2005/0130806	A1 *	6/2005	Lopez .....	A63B 23/12 482/38	2014/0018217	A1 *	1/2014	Brown .....	A63B 23/0355 482/132
2005/0148448	A1 *	7/2005	Mersch .....	A63B 23/12 482/141	2014/0066274	A1 *	3/2014	Kassel .....	A63B 21/4035 482/141
2005/0187083	A1 *	8/2005	Krystoff .....	A63B 21/00047 482/140	2014/0194265	A1 *	7/2014	Torres .....	A63B 23/02 482/141
2005/0209054	A1 *	9/2005	Thomas Lebert .....	A63B 1/00 482/41	2014/0249001	A1 *	9/2014	Malvezzi .....	A63B 21/072 482/93
2006/0040809	A1 *	2/2006	Godbold .....	A63B 23/12 482/141	2014/0274598	A1 *	9/2014	Anderson .....	A63B 21/06 482/108
2007/0010375	A1 *	1/2007	Corte .....	A63B 1/00 482/41	2014/0287881	A1 *	9/2014	Wallisch .....	A63B 21/00047 482/41
2007/0184951	A1 *	8/2007	James .....	A63B 21/4035 482/141	2014/0302968	A1 *	10/2014	Velikin .....	A63B 1/00 482/40
2008/0045390	A1 *	2/2008	Harms .....	A63B 23/12 482/141	2014/0357459	A1 *	12/2014	Izzo .....	A63B 21/4035 482/141
2008/0051273	A1 *	2/2008	Storch .....	A63B 21/4035 482/141	2015/0126335	A1 *	5/2015	Gilson .....	A63B 1/00 482/38
2009/0124471	A1 *	5/2009	Storch .....	A63B 21/4035 482/141	2015/0126340	A1 *	5/2015	White .....	A63B 23/1236 482/93
2010/0022365	A1 *	1/2010	Ngu .....	A63B 21/075 482/108	2015/0148197	A1 *	5/2015	Lentz .....	A63B 21/1618 482/40
2010/0130337	A1 *	5/2010	Stewart .....	A63B 23/12 482/121	2015/0238795	A1 *	8/2015	Domesick .....	A63B 23/0205 482/142
2010/0210430	A1 *	8/2010	Mulderrig .....	A63B 21/4035 482/141	2015/0335935	A1 *	11/2015	Peralo .....	A63B 22/20 482/93
2010/0221974	A1 *	9/2010	Monaghan .....	A63B 59/50 446/75	2015/0360071	A1 *	12/2015	Lee .....	A63B 21/025 482/116
2010/0292058	A1 *	11/2010	Barnes .....	A63B 26/00 482/139	2015/0367170	A1 *	12/2015	Robertson .....	A63B 21/00065 482/139
2011/0065555	A1 *	3/2011	Moskowich .....	A63B 23/12 482/141	2015/0375027	A1 *	12/2015	Neal .....	A63B 23/1236 482/91
2012/0040811	A1 *	2/2012	DeTore .....	A63B 21/00047 482/141	2016/0074693	A1 *	3/2016	Henry .....	A63B 21/4033 482/141
2012/0258847	A1 *	10/2012	Lafferty .....	A63B 21/4035 482/141	2016/0082313	A1 *	3/2016	MacColl .....	A63B 23/0233 482/140
2013/0072365	A1 *	3/2013	Ross .....	A63B 23/1236 482/141	2016/0129302	A1 *	5/2016	Vallo .....	A61H 1/0292 482/132
2013/0237394	A1 *	9/2013	Fowler .....	A63B 23/1236 482/142	2016/0158597	A1 *	6/2016	Nguyen .....	A63B 21/00047 482/141
2013/0260970	A1 *	10/2013	Moskowich .....	A63B 23/1236 482/141	2017/0001068	A1 *	1/2017	Cauble .....	A63B 21/4034
2013/0274078	A1 *	10/2013	Andrews .....	A63B 21/4035 482/141	2017/0304669	A1 *	10/2017	LaCaze .....	A63B 21/045
2013/0316884	A1 *	11/2013	Gobeil .....	A63B 21/068 482/141	2017/0319895	A1 *	11/2017	Davis .....	A63B 23/1236
2013/0324382	A1 *	12/2013	Wilson .....	A63B 23/0211 482/142	2018/0036571	A1 *	2/2018	Channer .....	A63B 23/1236
2014/0005013	A1 *	1/2014	Kassemi .....	A63B 21/4035 482/108	2018/0036588	A1 *	2/2018	Brown .....	A63B 21/0004
					2018/0169465	A1 *	6/2018	Tellam .....	A63B 21/1654
					2018/0169468	A1 *	6/2018	Barrie, III .....	A63B 23/1236
					2018/0243631	A1 *	8/2018	DiMarco .....	A63B 69/3623
					2019/0009137	A1 *	1/2019	Trevino .....	A63B 22/16
					2020/0114190	A1 *	4/2020	Tuller .....	A63B 21/0722
					2020/0324165	A1 *	10/2020	Sasano .....	A63B 23/1236

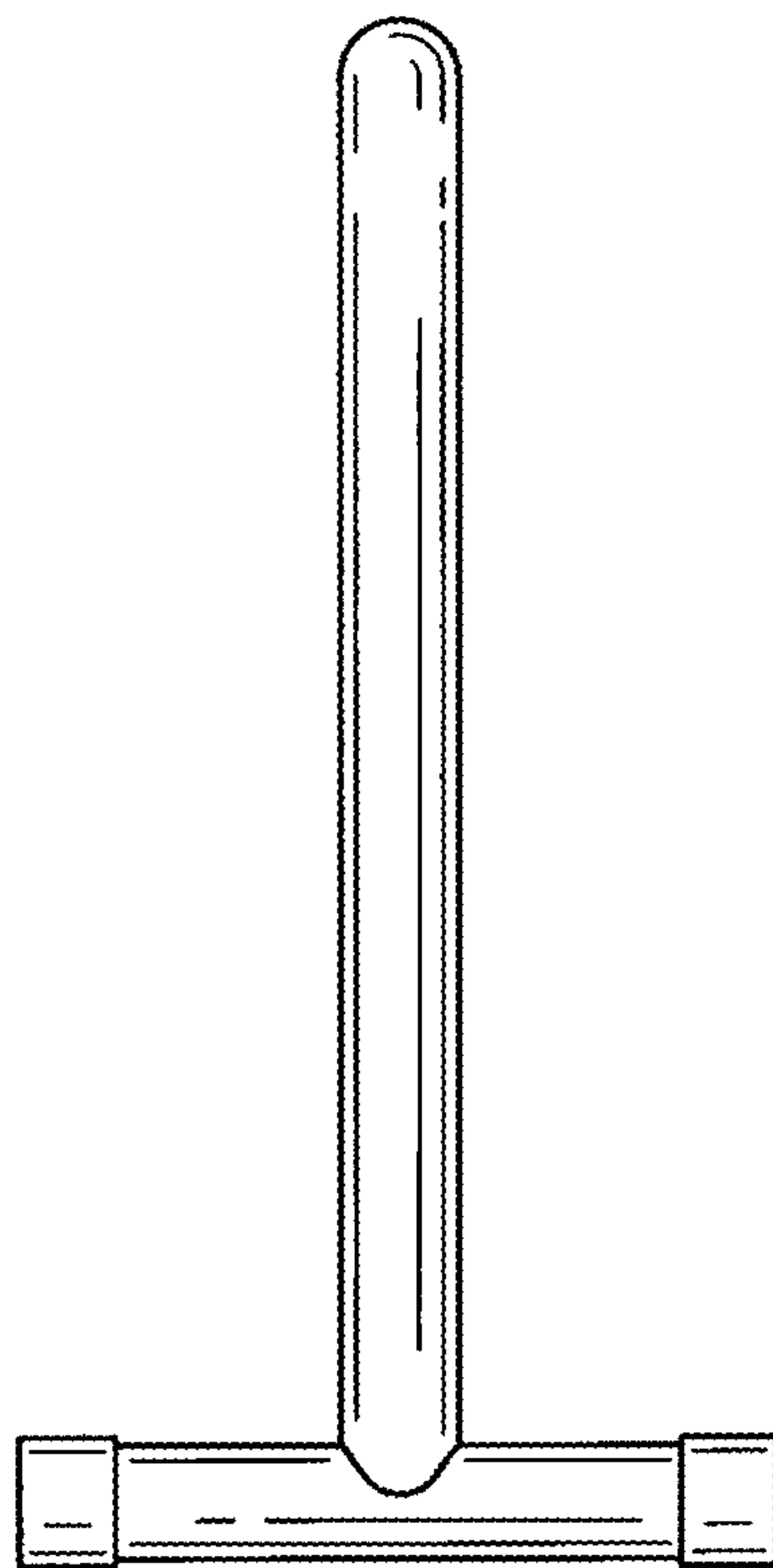
\* cited by examiner



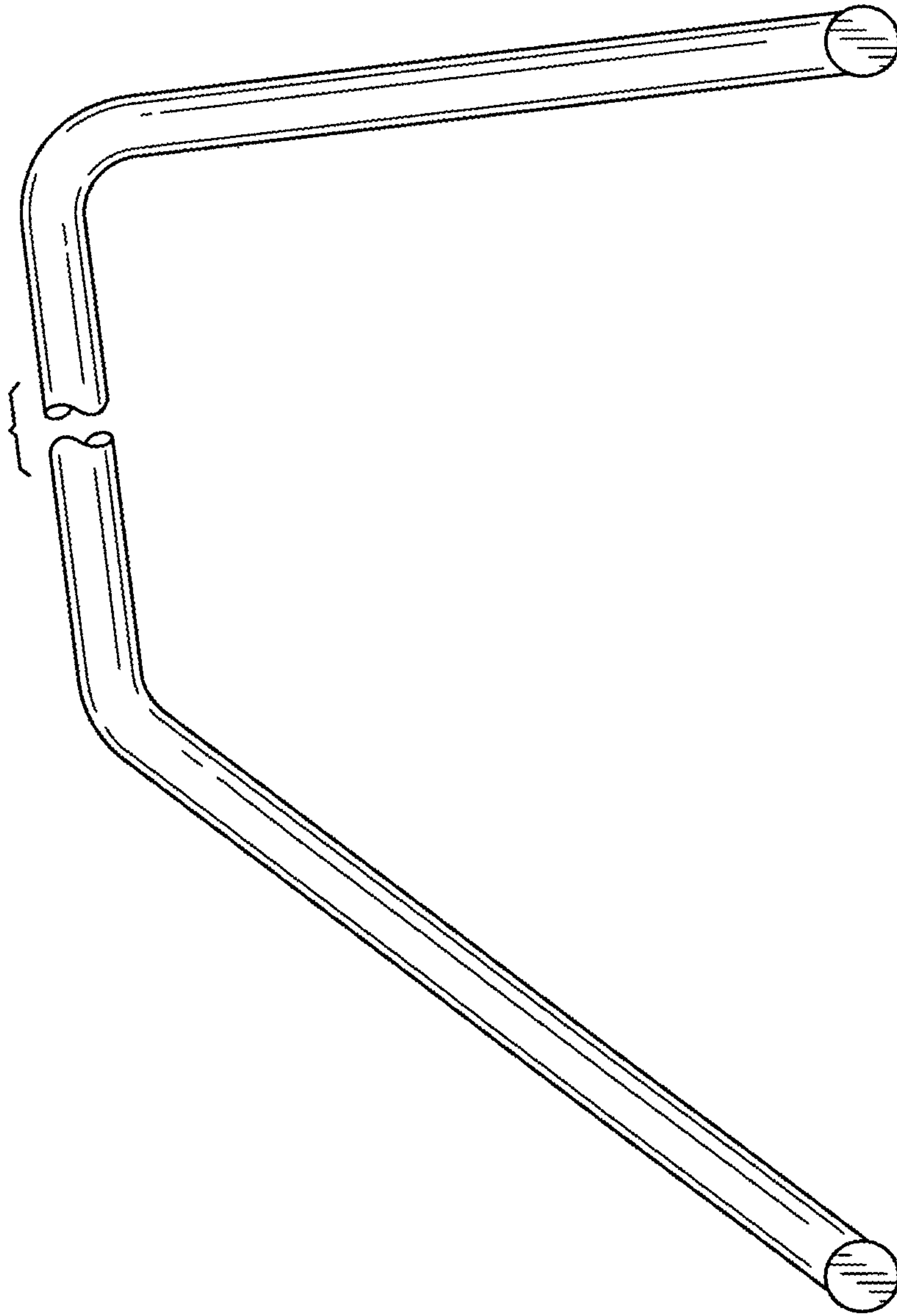
**FIG. 1**



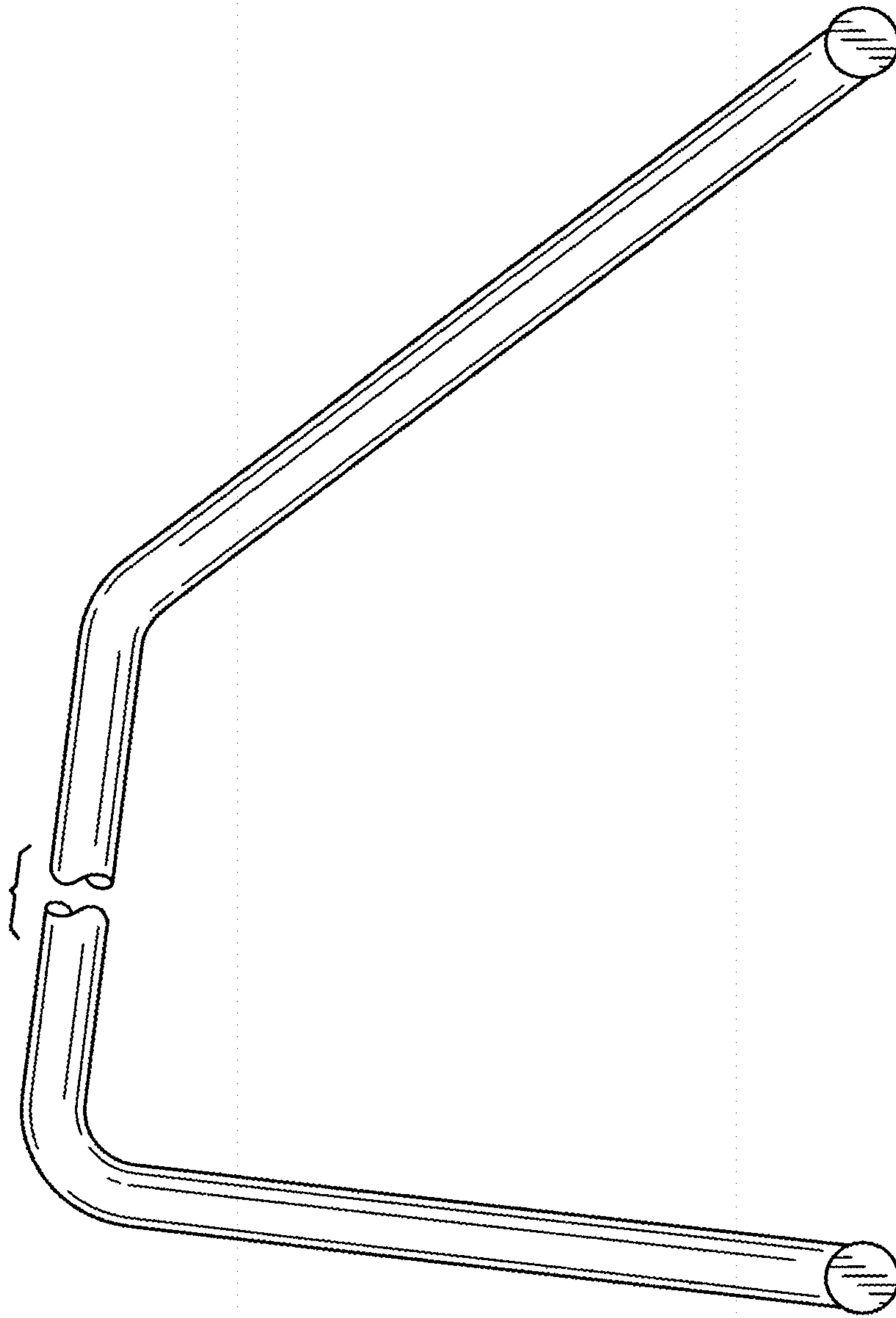
**FIG. 2**



**FIG. 3**

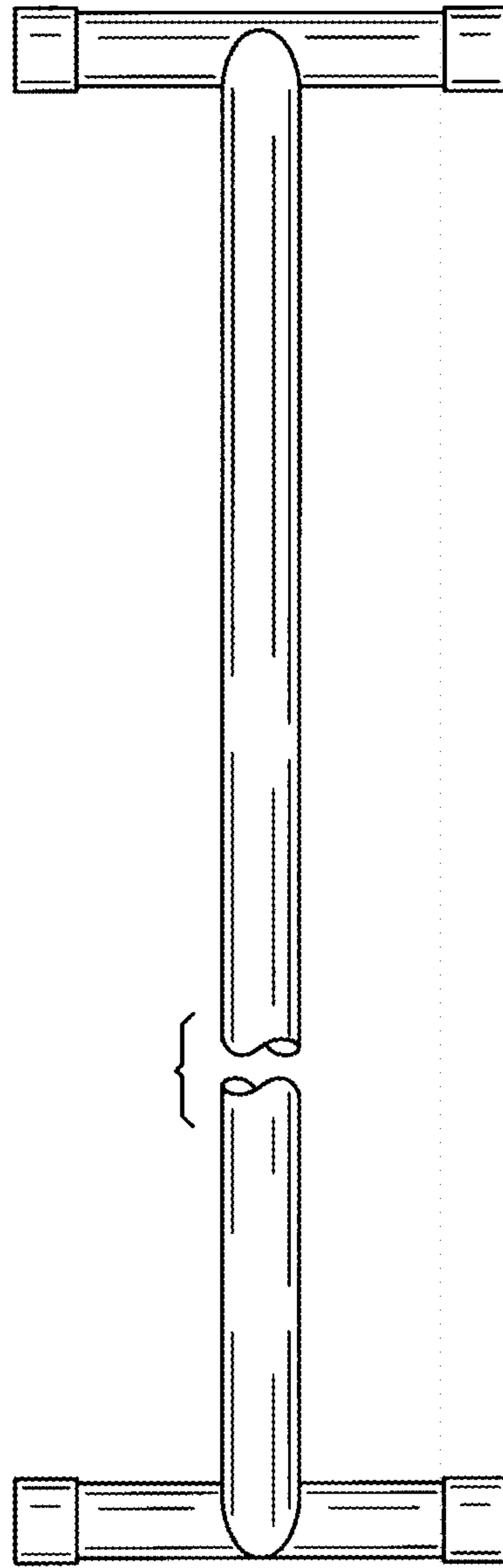


**FIG. 4**

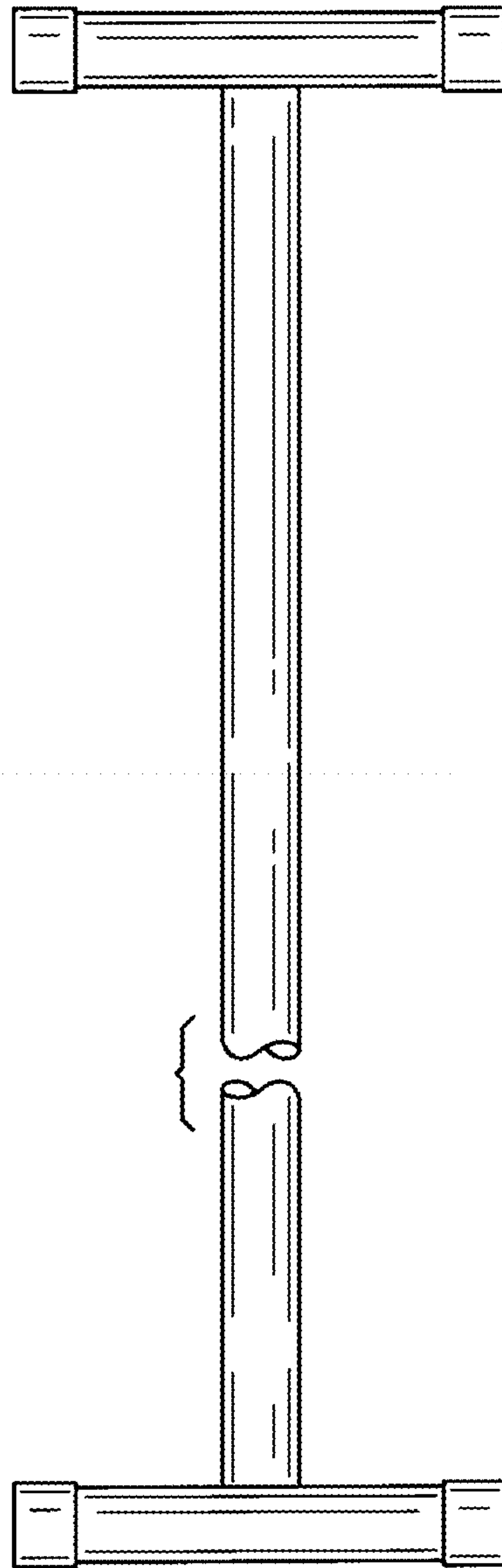


**FIG. 5**

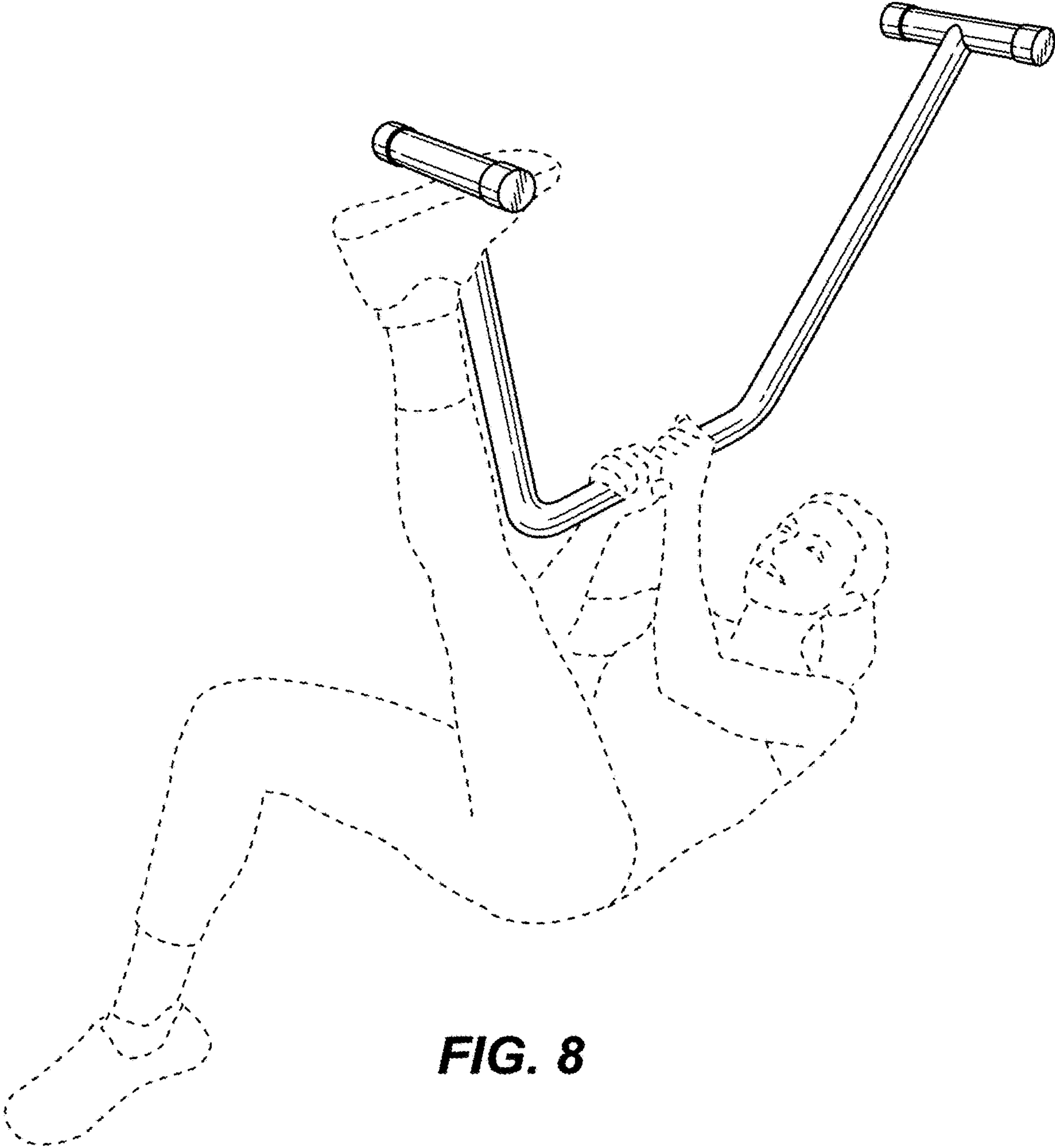




**FIG. 6**



**FIG. 7**



**FIG. 8**