



US00D910124S

(12) **United States Design Patent** (10) **Patent No.:** **US D910,124 S**  
**Jaquish et al.** (45) **Date of Patent:** **\*\* \*Feb. 9, 2021**

(54) **EXERCISING APPARATUS**  
(71) Applicant: **Jaquish Biomedical Corporation**,  
Nevada City, CA (US)  
(72) Inventors: **John Paul Jaquish**, Nevada City, CA  
(US); **Paul Edward Jaquish**, Nevada  
City, CA (US)  
(73) Assignee: **Jaquish Biomedical Corporation**,  
Nevada City, CA (US)

D287,283 S 12/1986 Johnson  
D289,538 S 4/1987 Wilson  
D309,933 S 8/1990 Brown, Jr.  
D320,428 S 10/1991 Rust  
D330,057 S 10/1992 Saunders  
D330,234 S 10/1992 Saunders  
D330,235 S 10/1992 Traetta  
(Continued)

**FOREIGN PATENT DOCUMENTS**

EP 2764896 A1 8/2014  
KR 10200000 5/2000

(\*) Notice: This patent is subject to a terminal disclaimer.

(\*\*) Term: **15 Years**

(21) Appl. No.: **35/001,051**

(22) Filed: **Jul. 17, 2015**

(80) **Hague Agreement Data**

Int. Filing Date: **Jul. 17, 2015**  
Int. Reg. No.: **DM/089049**  
Int. Reg. Date: **Jul. 17, 2015**  
Int. Reg. Pub. Date: **Feb. 5, 2016**

(51) **LOC (13) Cl.** ..... **21-02**

(52) **U.S. Cl.**  
USPC ..... **D21/673**

(58) **Field of Classification Search**  
USPC ..... D21/673, 675, 679, 682  
CPC ..... A63B 2210/00  
See application file for complete search history.

(56) **References Cited**

**U.S. PATENT DOCUMENTS**

1,019,861 A 3/1912 Titus  
3,117,781 A 1/1964 Vargo  
3,193,288 A 7/1965 Vell  
4,200,281 A 4/1980 Wang  
4,257,592 A 3/1981 Jones  
D263,327 S 3/1982 Cooper  
4,441,707 A 4/1984 Bosch

**OTHER PUBLICATIONS**

Jaquishbiomedical, "GH Accelerator", Nov. 13, 2019. <https://www.jaquisribionmedical.com/products/gh-accelerator/#reviews>. Shown on p. 1. (Year: 2019).

(Continued)

*Primary Examiner* — George D. Kirschbaum  
(74) *Attorney, Agent, or Firm* — Morgan, Lewis & Bockius LLP

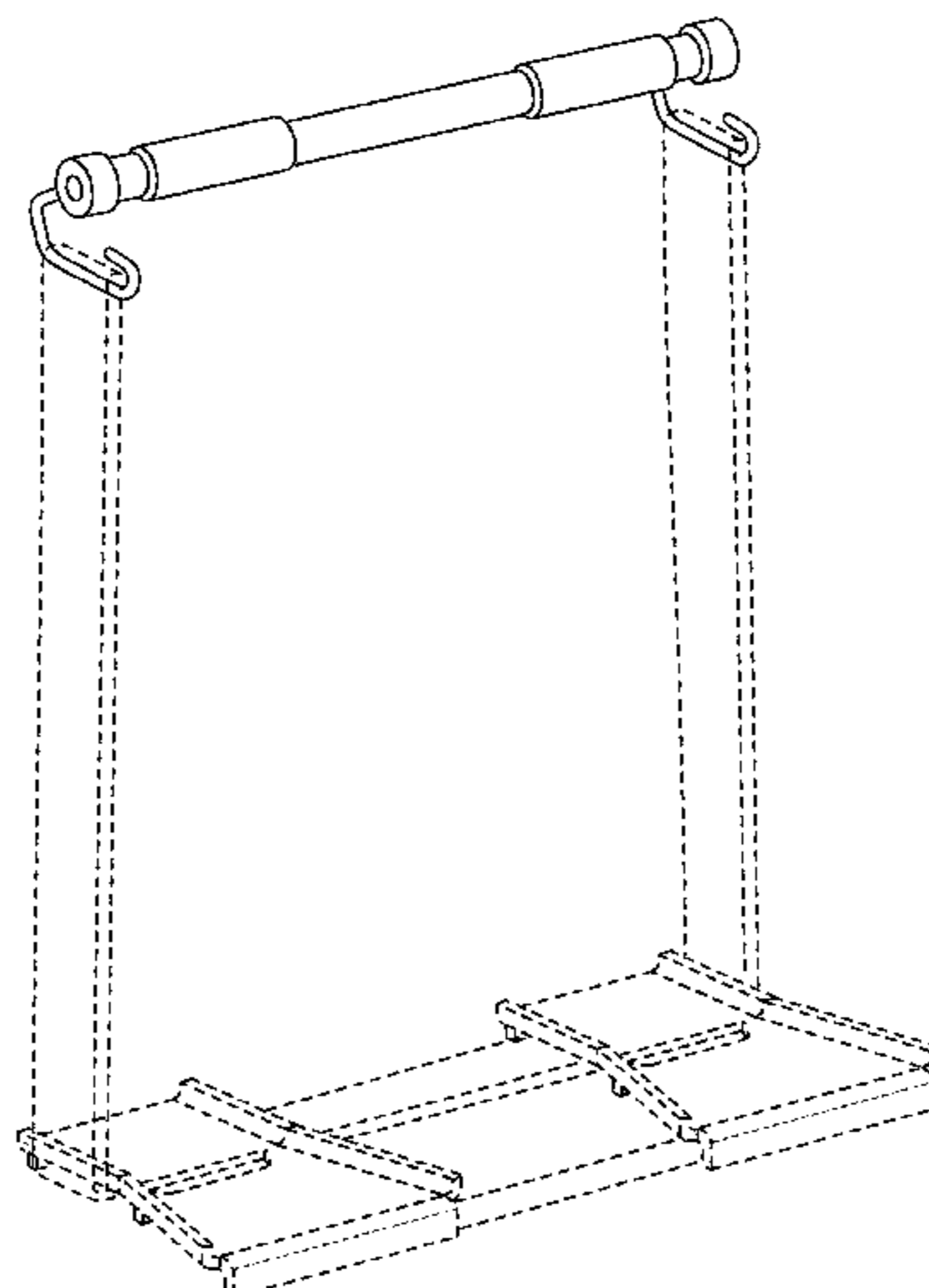
(57) **CLAIM**

The ornamental design for an exercising apparatus, as shown and described.

**DESCRIPTION**

FIG. 1.1 is a first perspective view of an embodiment of our new design of an Exercising Apparatus;  
FIG. 1.2 is a second perspective view of the design of FIG. 1.1;  
FIG. 1.3 is a front view of the design of FIG. 1.1;  
FIG. 1.4 is a back view of the design of FIG. 1.1;  
FIG. 1.5 is a side view of the design of FIG. 1.1;  
FIG. 1.6 is a top view of the design of FIG. 1.1; and,  
FIG. 1.7 is a bottom view of the design of FIG. 1.1.  
The broken lines showing bands and a platform is included for the purpose of illustrating portions of the "exercising apparatus," and forms no part of the claimed design.

**1 Claim, 6 Drawing Sheets**



(56)

References Cited

U.S. PATENT DOCUMENTS

5,154,678 A 10/1992 Adamczyk  
 5,178,596 A 1/1993 McIntire  
 5,197,934 A 3/1993 Wirtz  
 5,213,554 A 5/1993 Goldstein  
 D337,362 S 7/1993 Goldstein  
 5,226,865 A 7/1993 Chin  
 D339,179 S 9/1993 Wilkinson  
 D339,619 S 9/1993 Bugnaski  
 D342,298 S 12/1993 Schnabel, Jr.  
 D342,771 S \* 12/1993 Tandberg ..... D21/673  
 D349,540 S 8/1994 Hand  
 D353,419 S 12/1994 Sprague  
 D353,637 S 12/1994 Huang  
 5,472,390 A 12/1995 Faye  
 D365,861 S 1/1996 Moss, Jr.  
 D369,627 S 5/1996 Thor  
 5,514,058 A 5/1996 Buoni  
 D371,176 S 6/1996 Furner  
 5,540,642 A 7/1996 Sprague  
 5,645,511 A 7/1997 Le Roux  
 5,653,665 A 8/1997 Neeley  
 5,688,213 A 11/1997 Recker  
 5,746,687 A 5/1998 Vial  
 5,776,041 A 7/1998 Fisher  
 5,885,196 A 3/1999 Gvoich  
 D408,555 S 4/1999 Albrecht  
 6,203,476 B1 3/2001 Wang et al.  
 6,280,366 B1 8/2001 Hsieh  
 D474,818 S \* 5/2003 Yu ..... D21/662  
 D482,748 S 11/2003 Flynt  
 D495,379 S 8/2004 Dubus  
 D519,172 S 4/2006 Penat  
 7,052,449 B2 5/2006 Chen  
 D526,367 S \* 8/2006 Loccarini ..... D21/662  
 7,175,574 B2 2/2007 Carmel et al.  
 D542,867 S 5/2007 Teruo  
 D556,841 S 12/2007 Oates  
 D564,604 S 3/2008 Mikail  
 7,387,599 B1 6/2008 Hsu  
 D583,883 S 12/2008 Thomas  
 D590,457 S 4/2009 Mishan  
 7,578,775 B2 8/2009 Terry  
 7,601,101 B2 10/2009 Jackson  
 D604,374 S 11/2009 Bizzell  
 D610,638 S 2/2010 Friess  
 D626,607 S 11/2010 Kim  
 D633,155 S 2/2011 Brun  
 7,922,624 B1 4/2011 Fairhurst  
 D655,356 S 3/2012 Sandman  
 D657,008 S 4/2012 Markovic  
 D670,345 S 11/2012 Guarrasi  
 D680,599 S 4/2013 Orenstein  
 D681,138 S 4/2013 Hodgkins

D681,750 S 5/2013 Meyer-Hayoz  
 D682,374 S 5/2013 Wilkinson  
 D694,348 S 11/2013 Rankin  
 D695,367 S 12/2013 Lovegrove  
 8,870,722 B2 10/2014 Kassel  
 D717,381 S 11/2014 Orenstein  
 D723,637 S \* 3/2015 Mercado ..... D21/679  
 D724,163 S 3/2015 Kelley  
 D733,226 S 6/2015 Abbate  
 D739,481 S 9/2015 Glickfield  
 D748,744 S 2/2016 Hansen  
 D748,745 S 2/2016 Hansen  
 9,254,405 B1 2/2016 Marji  
 D764,607 S \* 8/2016 Beckford ..... D21/679  
 D778,374 S 2/2017 Jaquish  
 D785,106 S 4/2017 Panes  
 D785,731 S 5/2017 Stack  
 D798,396 S 9/2017 Agate  
 D804,590 S 12/2017 Hillson  
 D806,806 S 1/2018 Chen  
 D825,696 S 8/2018 Mercenari Uribe  
 D825,697 S 8/2018 Mercenari Uribe  
 D834,115 S 11/2018 Gilbert  
 D842,940 S 3/2019 Harden  
 D853,505 S 7/2019 Toueg  
 D855,718 S 8/2019 Hsu  
 D864,316 S 10/2019 Brown  
 D865,084 S 10/2019 Croxton  
 D875,194 S 2/2020 Zhou  
 2002/0137609 A1 9/2002 Rosati  
 2005/0101453 A1 5/2005 Jeneve  
 2005/0239617 A1 10/2005 Tenaglia  
 2006/0128540 A1 6/2006 Engle  
 2007/0207903 A1 9/2007 Csabai  
 2007/0207905 A1 9/2007 Winston  
 2009/0093349 A1 4/2009 Cooper  
 2010/0227747 A1 9/2010 Cook  
 2011/0207583 A1 8/2011 Elpers  
 2011/0256987 A1 10/2011 Lepore  
 2014/0228180 A1 8/2014 Walker  
 2015/0367159 A1 12/2015 Harris  
 2016/0199689 A1 7/2016 Irwin  
 2017/0080284 A1 3/2017 Hillson  
 2018/0236299 A1 8/2018 Warriner  
 2019/0069650 A1 3/2019 Walker  
 2019/0217147 A1 7/2019 Garcia

OTHER PUBLICATIONS

Jaquishbiomedical, "X Bar Elite", Apr. 20, 2020. <https://www.jaquishbionedical.com/products/>. Shown on p. 1. (Year 2020).  
 Youtube, "Introducing the GHAccelerator", Nov. 12, 2018. <https://www.youtube.com/watch?y=IL-,CahGcpOI>. Shown at the 2:00 minute mark. (Year: 2018).

\* cited by examiner

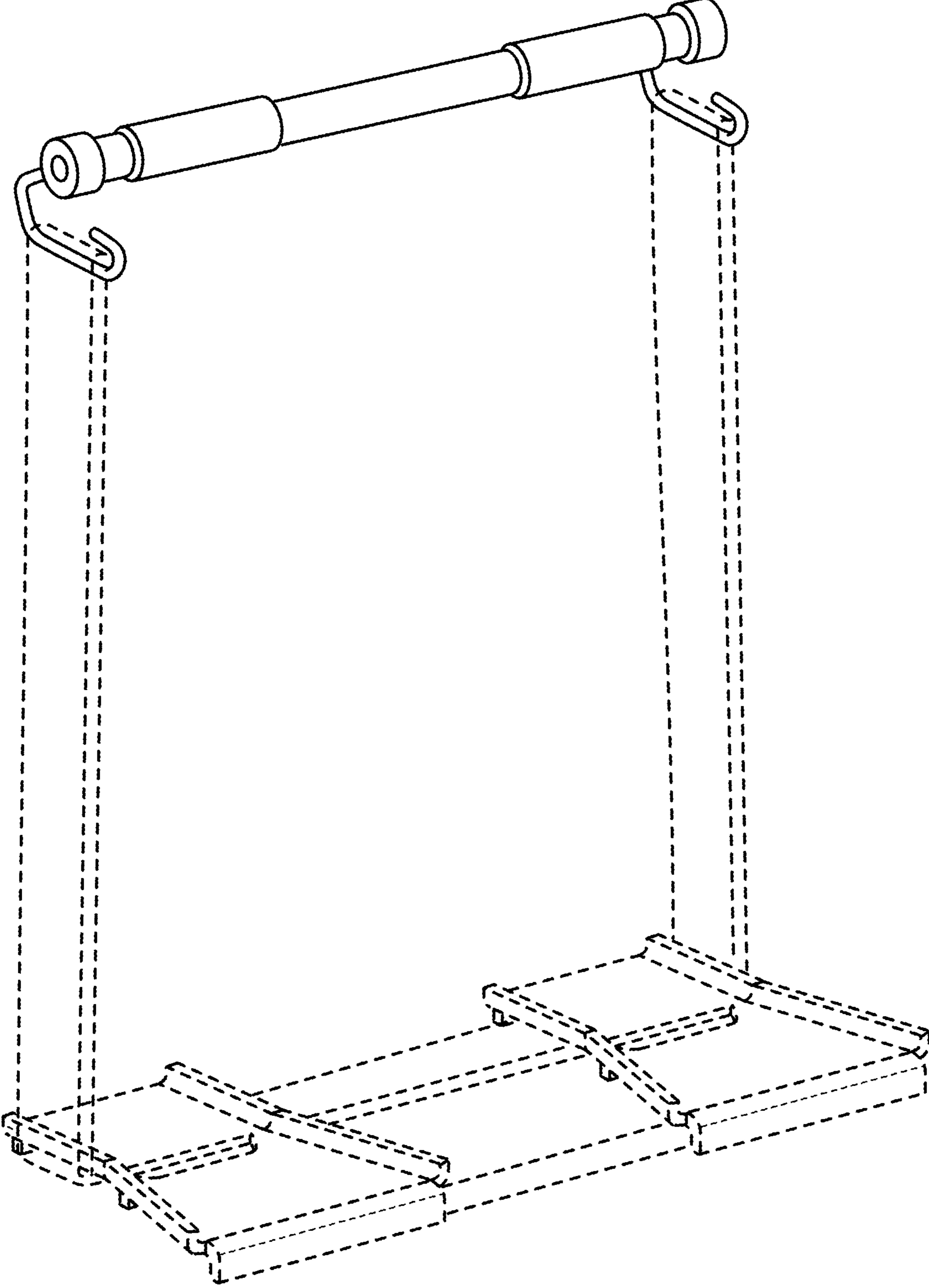


FIG. 1.1

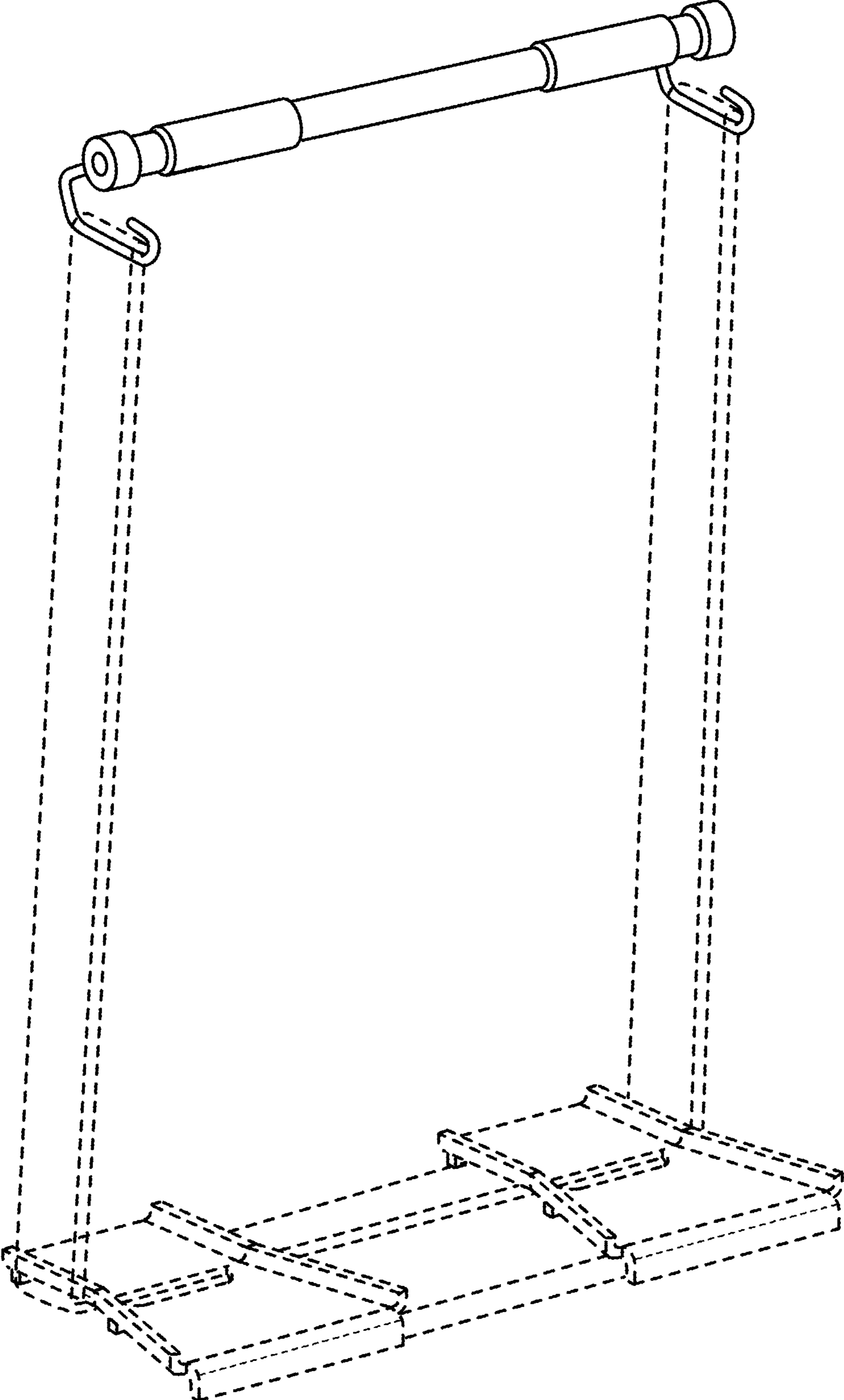


FIG. 1.2

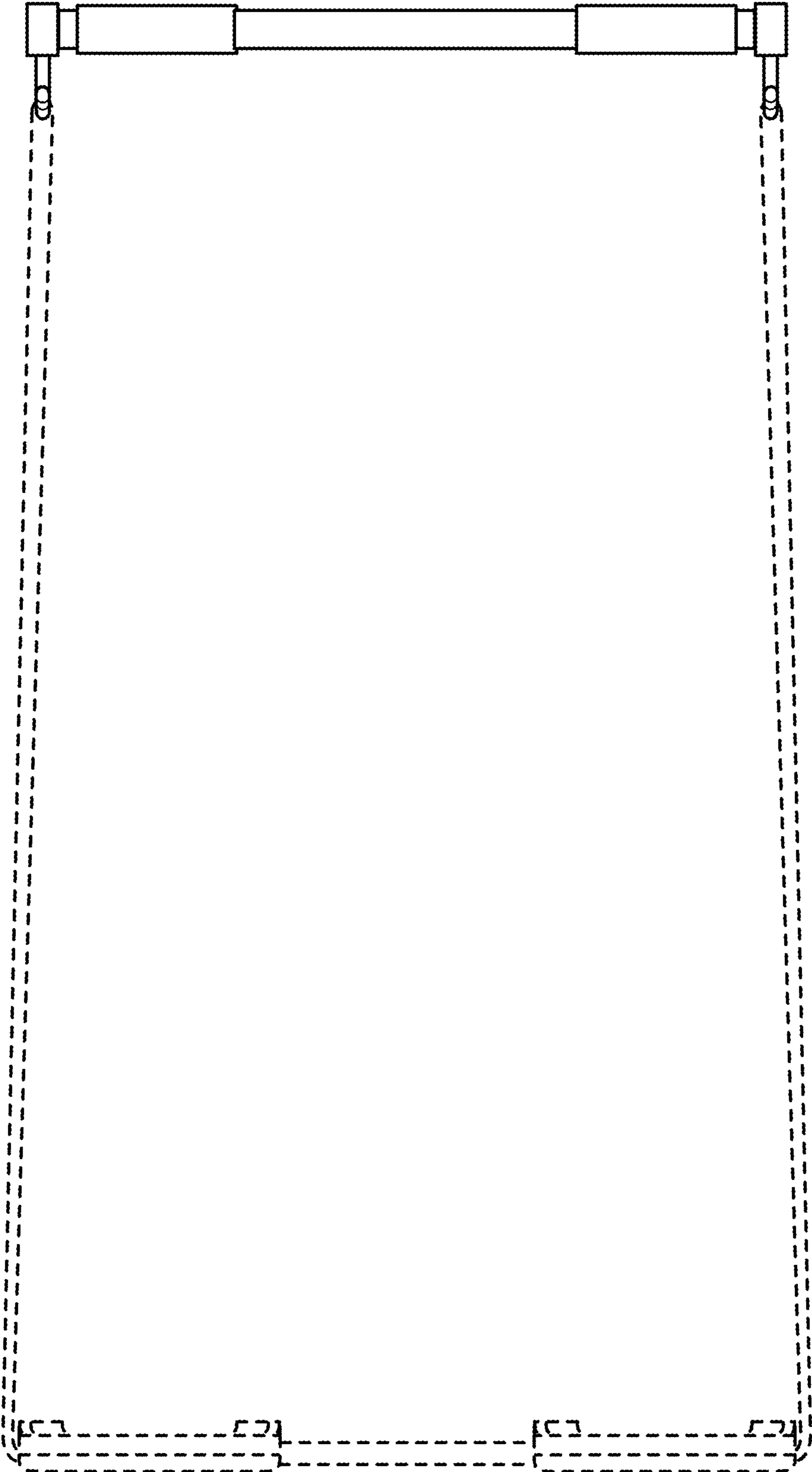


FIG. 1.3

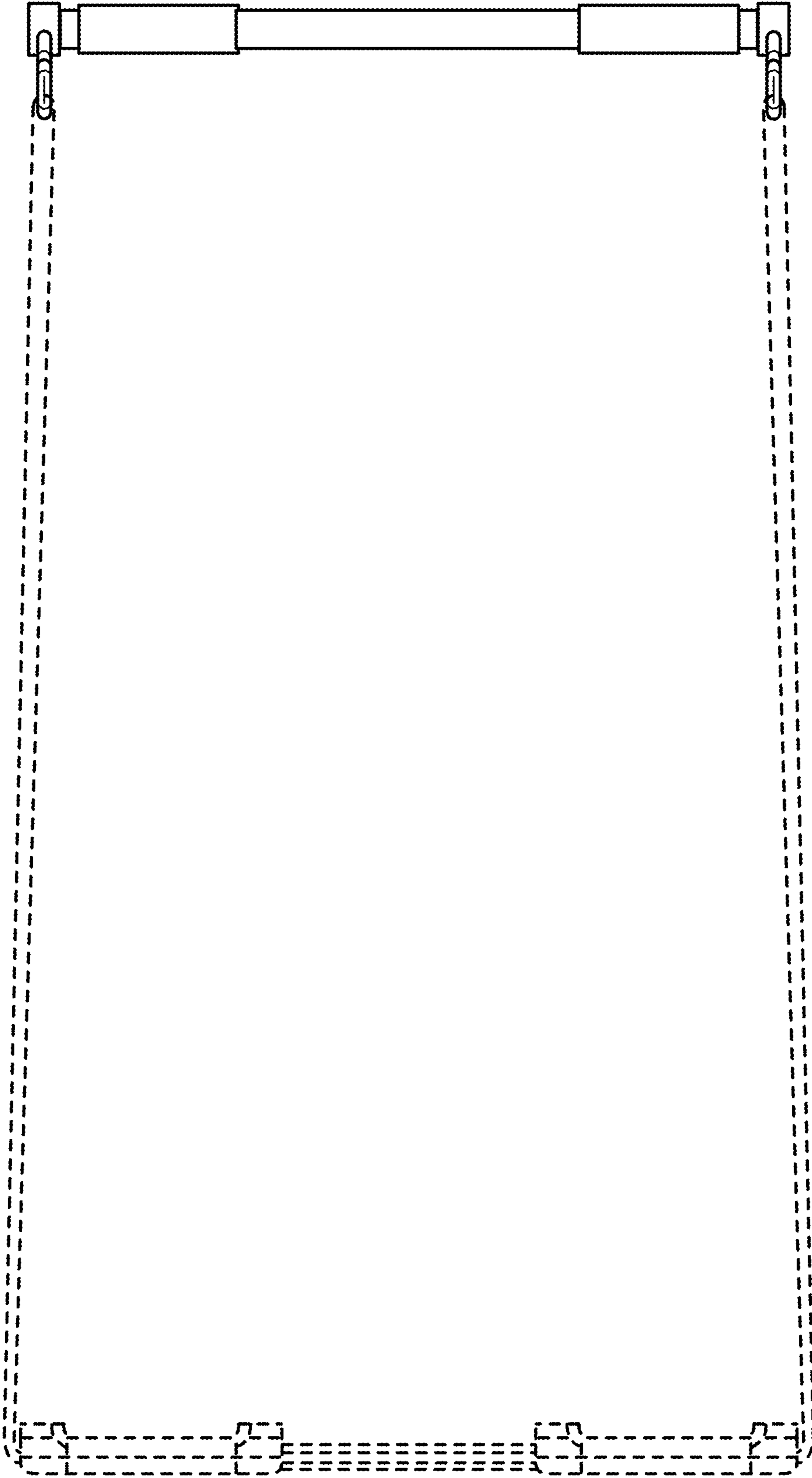


FIG. 1.4

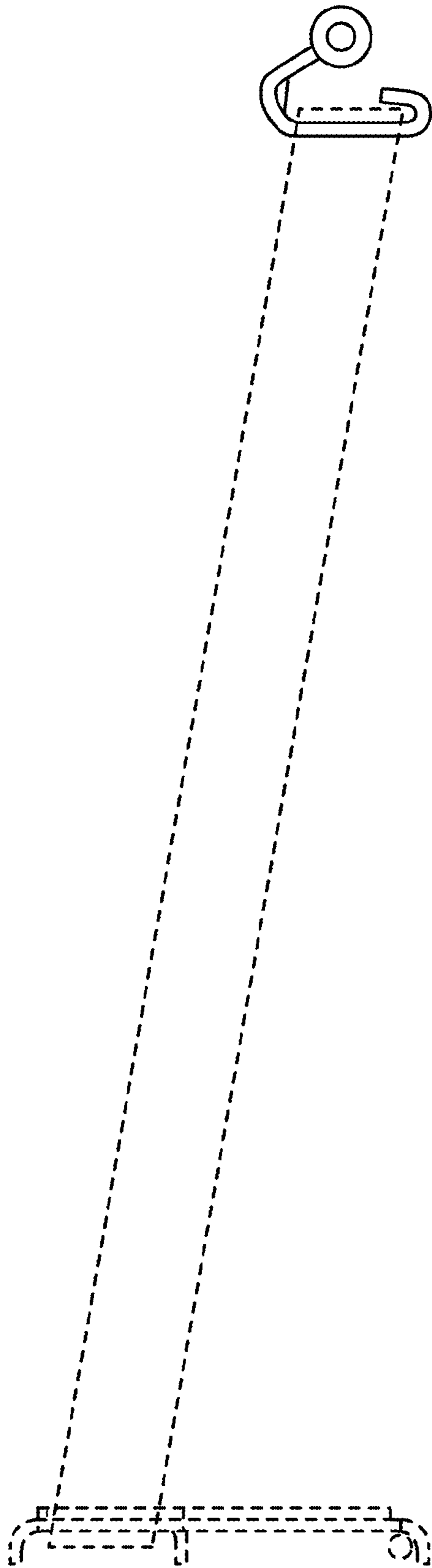


FIG. 1.5

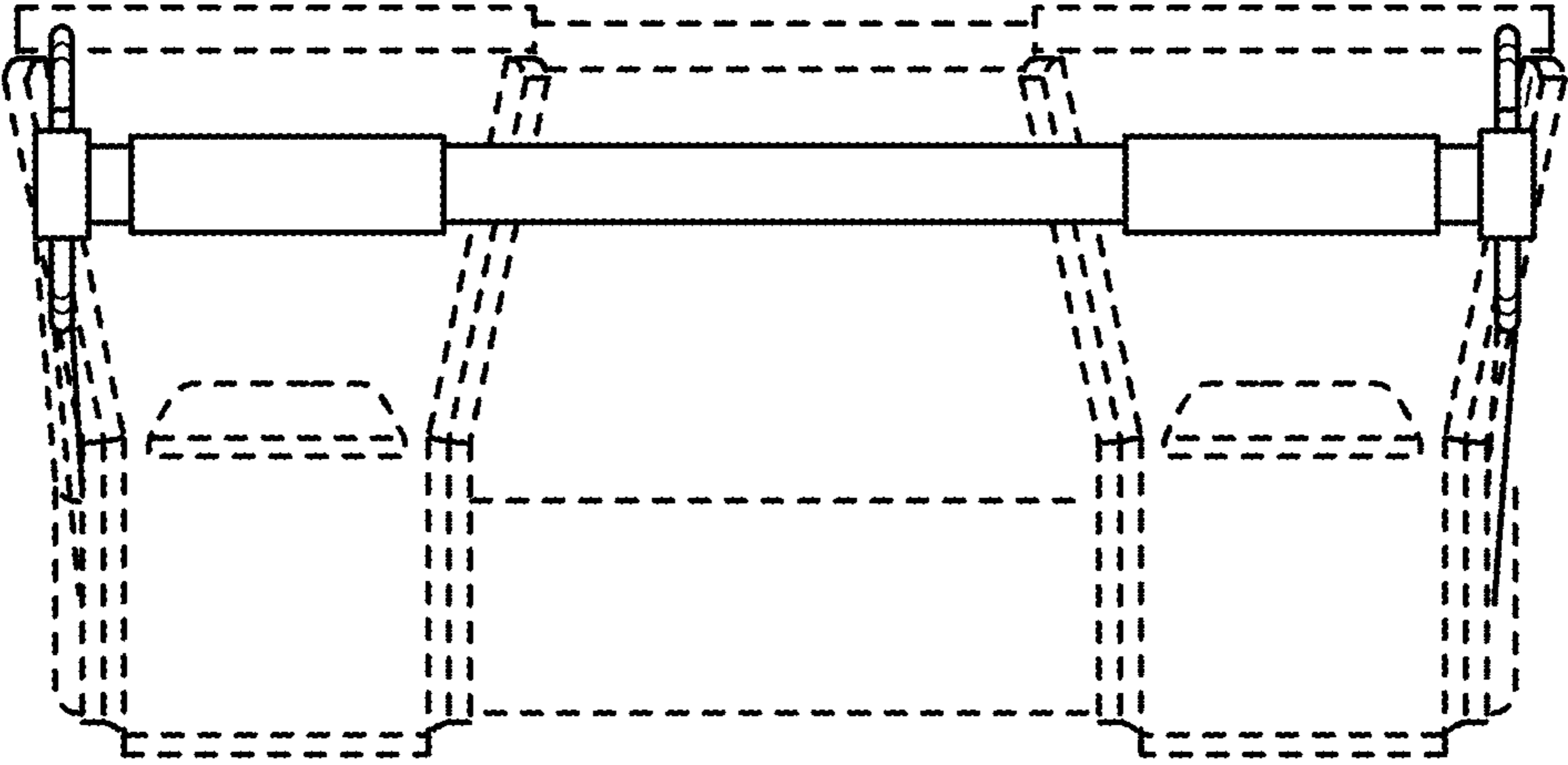


FIG. 1.6

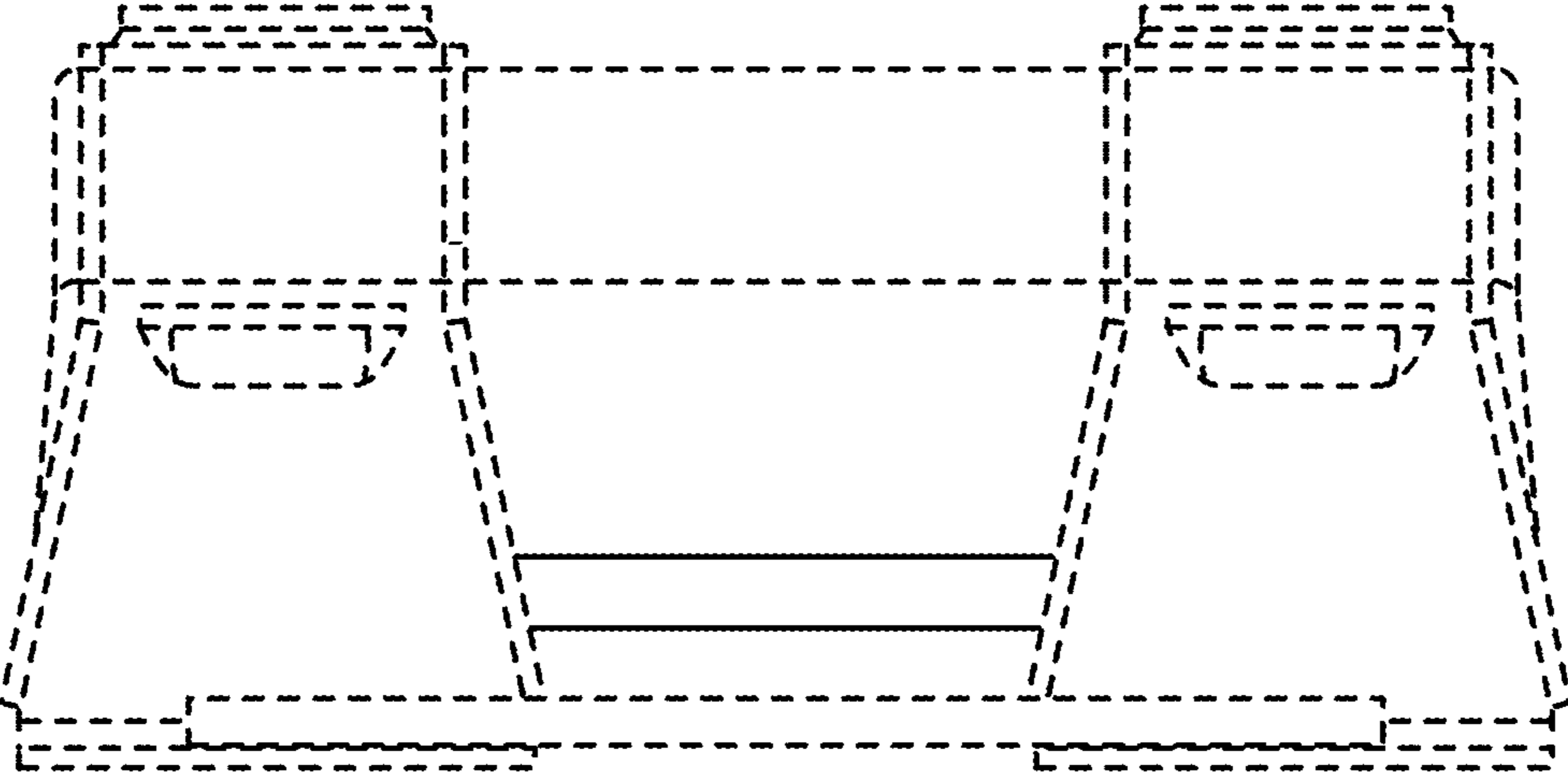


FIG. 1.7