



US00D910123S

(12) **United States Design Patent** (10) **Patent No.:** **US D910,123 S**
Li (45) **Date of Patent:** **** Feb. 9, 2021**

(54) **TREADMILL**
(71) Applicants: **Anhui Huami Information Technology Co., Ltd.**, Anhui (CN); **Zepp, Inc.**, Cupertino, CA (US)
(72) Inventor: **Yuan Li**, Anhui (CN)
(73) Assignees: **Zepp, Inc.**, Cupertino, CA (US); **Anhui Huami Information Technology Co., Ltd.**, Anhui (CN)
(**) Term: **15 Years**
(21) Appl. No.: **29/707,437**
(22) Filed: **Sep. 27, 2019**
(51) **LOC (13) Cl.** **21-02**
(52) **U.S. Cl.**
USPC **D21/669**
(58) **Field of Classification Search**
USPC 482/54, 2, 51, 8, 70, 146; D21/668, 669; 198/439, 456; D30/160; 601/35, 23, 5, 601/34
CPC . A63B 22/02; A63B 22/0023; A63B 22/0235; A63B 2210/50; A63B 22/0285; A63B 22/0242; A63B 2022/025; A63B 2225/30; A63B 2022/0214; A63B 2220/13; A63B 2022/0228; A63B 2210/56; A63B 2024/0093; A63B 2022/0207; A63B 22/0012; A63B 22/0257; A61H 3/008; A61H 1/0262; A61H 2201/164; A01K 15/027
See application file for complete search history.

4,614,336 A * 9/1986 Taitel A63B 21/015 482/54
4,757,987 A * 7/1988 Allemand A63B 22/02 482/54
4,776,582 A * 10/1988 Ramhorst A63B 22/0023 482/54
D303,557 S * 9/1989 Kiiski D21/669
D304,849 S * 11/1989 Watterson D21/669
D306,468 S * 3/1990 Watterson D21/669
D306,891 S * 3/1990 Watterson D21/669
(Continued)

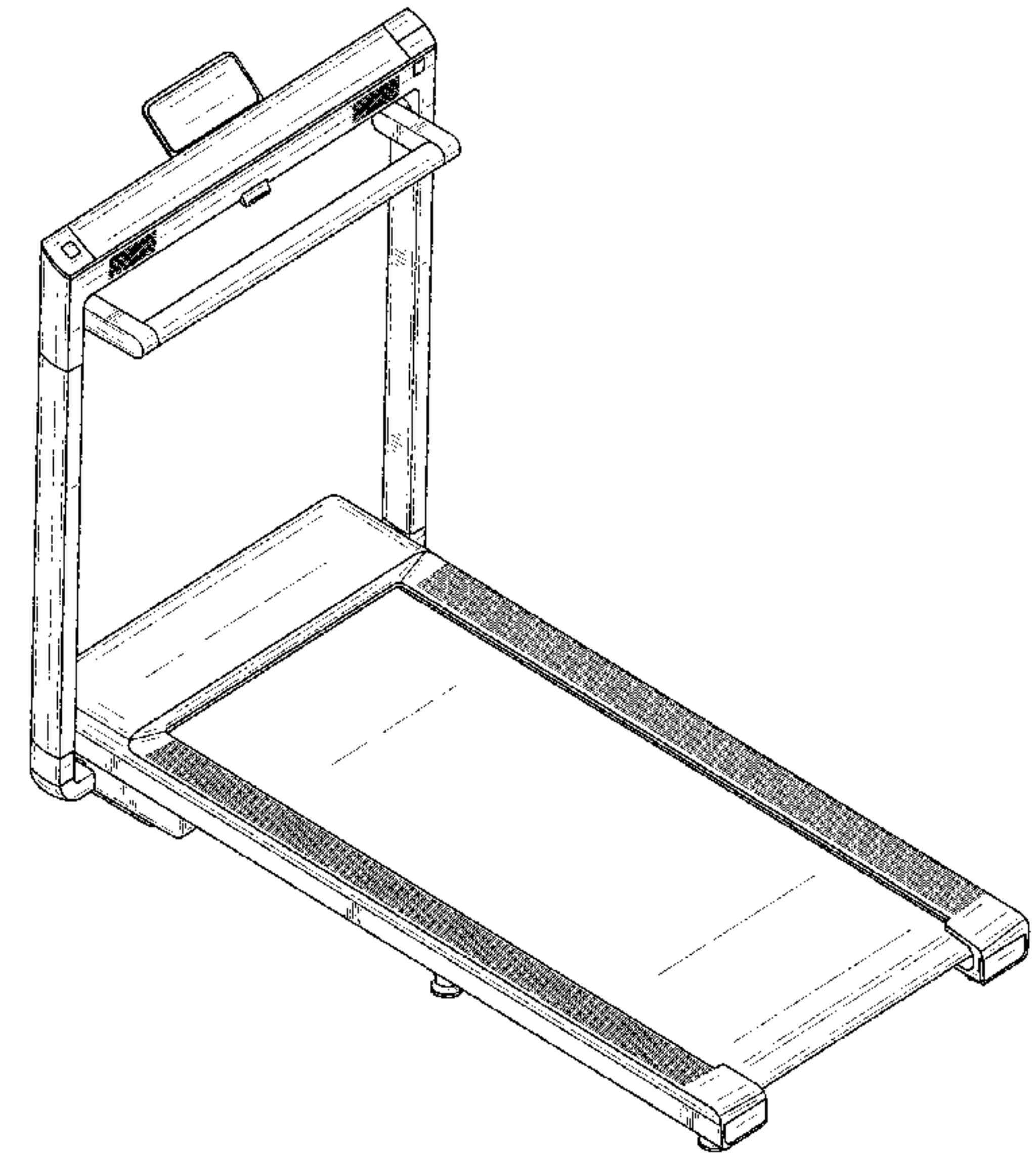
Primary Examiner — Ryan Harvey
(74) *Attorney, Agent, or Firm* — Young Basile Hanlon & MacFarlane, P.C.

(57) **CLAIM**
The ornamental design for a treadmill, as shown and described.

DESCRIPTION
FIG. 1 is a top, front, and left perspective view of a first embodiment of the treadmill showing our new design. FIG. 2 is a front view of the treadmill of FIG. 1. FIG. 3 is a rear view of the treadmill of FIG. 1. FIG. 4 is a left side view of the treadmill of FIG. 1. FIG. 5 is a right side view of the treadmill of FIG. 1. FIG. 6 is a top view of the treadmill of FIG. 1. FIG. 7 is a bottom view of the treadmill of FIG. 1. FIG. 8 is a top, front, and left perspective view of a second embodiment of the treadmill. FIG. 9 is a front view of the treadmill of FIG. 8. FIG. 10 is a rear view of the treadmill of FIG. 8. FIG. 11 is a left side view of the treadmill of FIG. 8. FIG. 12 is a right side view of the treadmill of FIG. 8. FIG. 13 is a top view of the treadmill of FIG. 8; and, FIG. 14 is a bottom view of the treadmill of FIG. 8. The broken line showing of portions of the treadmill in FIG. 3 depicts environment and forms no part of the claim. The shade lines in the figures show contour, not surface ornamentation and form no part of the claimed design.

1 Claim, 14 Drawing Sheets

(56) **References Cited**
U.S. PATENT DOCUMENTS
4,151,988 A * 5/1979 Nabinger A63B 22/02 188/72.9
D280,002 S * 8/1985 Smith D21/669



(56)

References Cited

U.S. PATENT DOCUMENTS

5,018,722	A *	5/1991	Whitmore	A63B 22/02	482/54	D690,782	S *	10/2013	Perkins	D21/669
5,029,801	A *	7/1991	Dalebout	A63B 22/0023	248/649	D704,778	S *	5/2014	Decommer	D21/669
D325,951	S *	5/1992	Johnson	D21/669		D707,763	S *	6/2014	Cutler	D21/669
D344,557	S *	2/1994	Ashby	482/54		9,138,615	B2 *	9/2015	Olson	A63B 22/0023
D348,494	S *	7/1994	Ashby	D21/694		D751,156	S *	3/2016	Tasca	D21/669
5,378,213	A *	1/1995	Quint	A63B 22/02	198/849	9,364,706	B2 *	6/2016	Lo	A63B 22/00
D355,227	S *	2/1995	Summers	D21/669		D831,131	S *	10/2018	Zha	D21/669
D369,843	S *	5/1996	Wang	D21/669		D854,101	S *	7/2019	Kruse	D21/669
D374,260	S *	10/1996	Snyderman	D21/669		D859,543	S *	9/2019	Lisi	D21/669
5,607,375	A *	3/1997	Dalebout	A63B 22/0023	482/51	D888,845	S *	6/2020	Luo	D21/669
5,643,144	A *	7/1997	Trulaske	A63B 22/02	198/841	D889,569	S *	7/2020	Luo	D21/669
5,711,745	A *	1/1998	Yang	A63B 22/02	482/51	2001/0049323	A1 *	12/2001	Fox	A63B 22/0023
D393,297	S *	4/1998	McBride	D21/669							
5,746,682	A *	5/1998	Hung	A63B 22/02	482/51	2003/0060331	A1 *	3/2003	Polk, III	A63B 22/0235
5,816,981	A *	10/1998	Hung	A63B 22/02	482/54						
5,904,637	A *	5/1999	Kuo	A63B 22/02	482/54	2004/0132586	A1 *	7/2004	Leighton	A63B 22/0207
D413,366	S *	8/1999	Husted	D21/668							
D414,518	S *	9/1999	Wang	D21/669		2005/0130807	A1 *	6/2005	Cutler	A63B 22/0023
D416,298	S *	11/1999	Onuma	D21/669							
6,042,514	A *	3/2000	Abelbeck	A63B 22/02	198/439	2006/0122037	A1 *	6/2006	Chou Lin	A63B 22/0235
D424,137	S *	5/2000	Barker	D21/669							
6,179,753	B1 *	1/2001	Barker	A63B 22/0235	482/51	2006/0122038	A1 *	6/2006	Chou Lin	A63B 22/0235
6,234,937	B1 *	5/2001	Yu	A63B 22/02	482/54						
6,302,826	B1 *	10/2001	Lee	A63B 22/02	482/51	2006/0160665	A1 *	7/2006	Tai	A63B 22/0023
6,390,955	B1 *	5/2002	Wang	A63B 22/02	482/54						
6,394,933	B1 *	5/2002	Yu	A63B 22/02	482/54	2008/0176719	A1 *	7/2008	To	A63B 22/0235
D458,654	S *	6/2002	Kiiski	D21/669							
D464,690	S *	10/2002	San-Ching	D21/669		2009/0005224	A1 *	1/2009	Davis	A63B 22/02
D465,250	S *	11/2002	San-Ching	D21/669							
6,527,678	B1 *	3/2003	Wang	A63B 22/0235	482/51	2009/0042698	A1 *	2/2009	Wang	A63B 22/02
D484,554	S *	12/2003	Hellman, Jr.	D21/669							
6,663,540	B1 *	12/2003	Huang	A63B 22/02	482/54	2009/0111666	A1 *	4/2009	Wang	A63B 22/0235
6,685,599	B2 *	2/2004	Wang	A63B 22/02	482/54						
6,761,669	B1 *	7/2004	Pan	A63B 22/02	482/51	2009/0170666	A1 *	7/2009	Chiang	A63B 22/02
D494,234	S *	8/2004	Sporie	D21/669							
6,786,853	B2 *	9/2004	Wu	A63B 22/0257	482/54	2011/0021323	A1 *	1/2011	Wu	A63B 22/0235
D500,348	S *	12/2004	Parise	D21/669							
6,860,838	B2 *	3/2005	Fox	A63B 22/0235	193/35 J	2011/0306472	A1 *	12/2011	Wang	A63B 22/0235
6,884,201	B2 *	4/2005	Wu	A63B 22/0023	482/54						
6,887,185	B1 *	5/2005	Kuo	A63B 22/02	482/54	2012/0270704	A1 *	10/2012	Wang	A63B 22/0214
7,367,926	B2 *	5/2008	Clark	A63B 22/0235	482/54						
D607,067	S *	12/2009	Wu	D21/669		2012/0283070	A1 *	11/2012	Lai	A63B 22/02
7,815,550	B2 *	10/2010	Watterson	A63B 22/02	482/54						
7,828,699	B2 *	11/2010	P'erez De Lazarraga	A63B 22/02	482/54	2013/0184125	A1 *	7/2013	Maguire	A63B 21/225
							2013/0231219	A1 *	9/2013	Huang	A63B 22/0023
							2014/0066263	A1 *	3/2014	Huang	A63B 24/0087
							2014/0076206	A1 *	3/2014	McCabe	A47B 57/30
							2014/0113770	A1 *	4/2014	Yim	A63B 22/0023
							2014/0121066	A1 *	5/2014	Huang	A63B 22/02
							2014/0221167	A1 *	8/2014	Wu	A63B 22/0235
							2014/0274579	A1 *	9/2014	Olson	A63B 22/0023
							2016/0096064	A1 *	4/2016	Gatti	A63B 22/02
							2016/0279465	A1 *	9/2016	Chang	A63B 22/02
							2016/0287930	A1 *	10/2016	Moser	A63B 22/0207
							2016/0346618	A1 *	12/2016	Ashby	G09B 19/0038
							2017/0113093	A1 *	4/2017	Bellavista	A63B 22/0023
							2017/0333747	A1 *	11/2017	Athey	A63B 22/0228
							2017/0333751	A1 *	11/2017	Seol	A63B 24/0062
							2018/0043207	A1 *	2/2018	Moser	A63B 22/0207
							2018/0126249	A1 *	5/2018	Consiglio	A63B 71/0619
							2018/0140903	A1 *	5/2018	Poure	A63B 24/0087
							2019/0192952	A1 *	6/2019	Powell	A63B 22/0221
							2019/0290956	A1 *	9/2019	Ren	A63B 22/0235

* cited by examiner

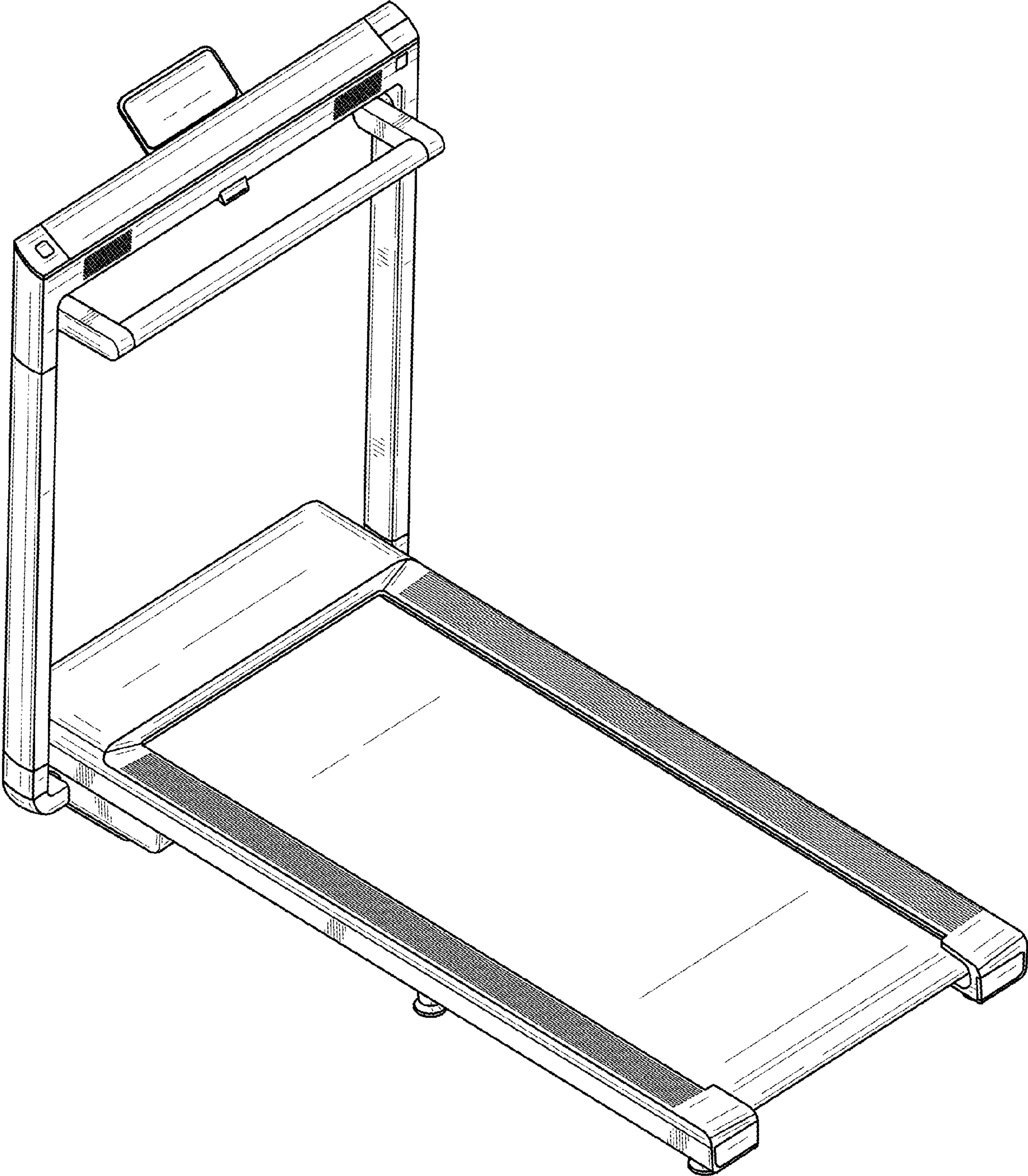


FIG. 1

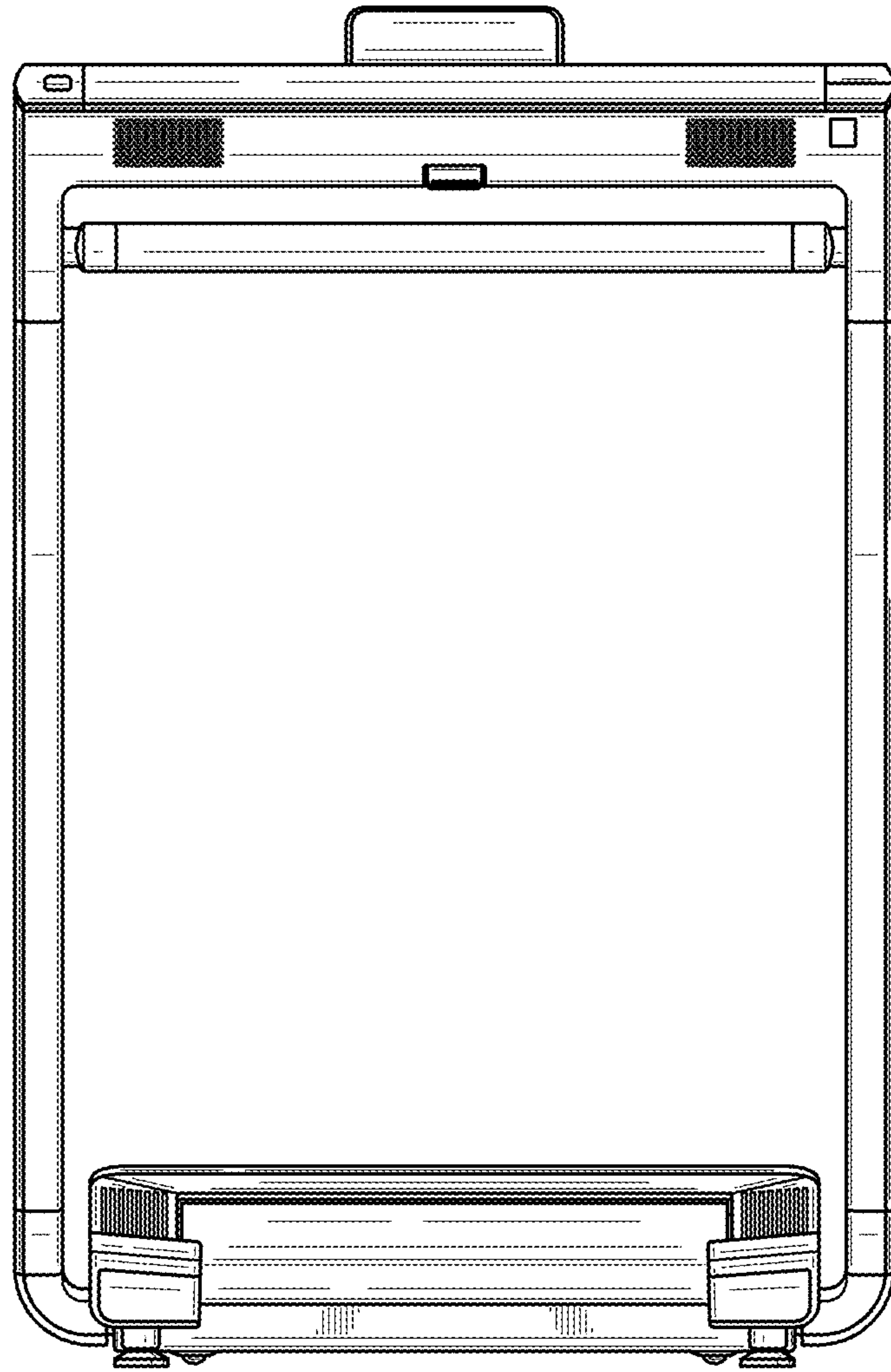


FIG. 2

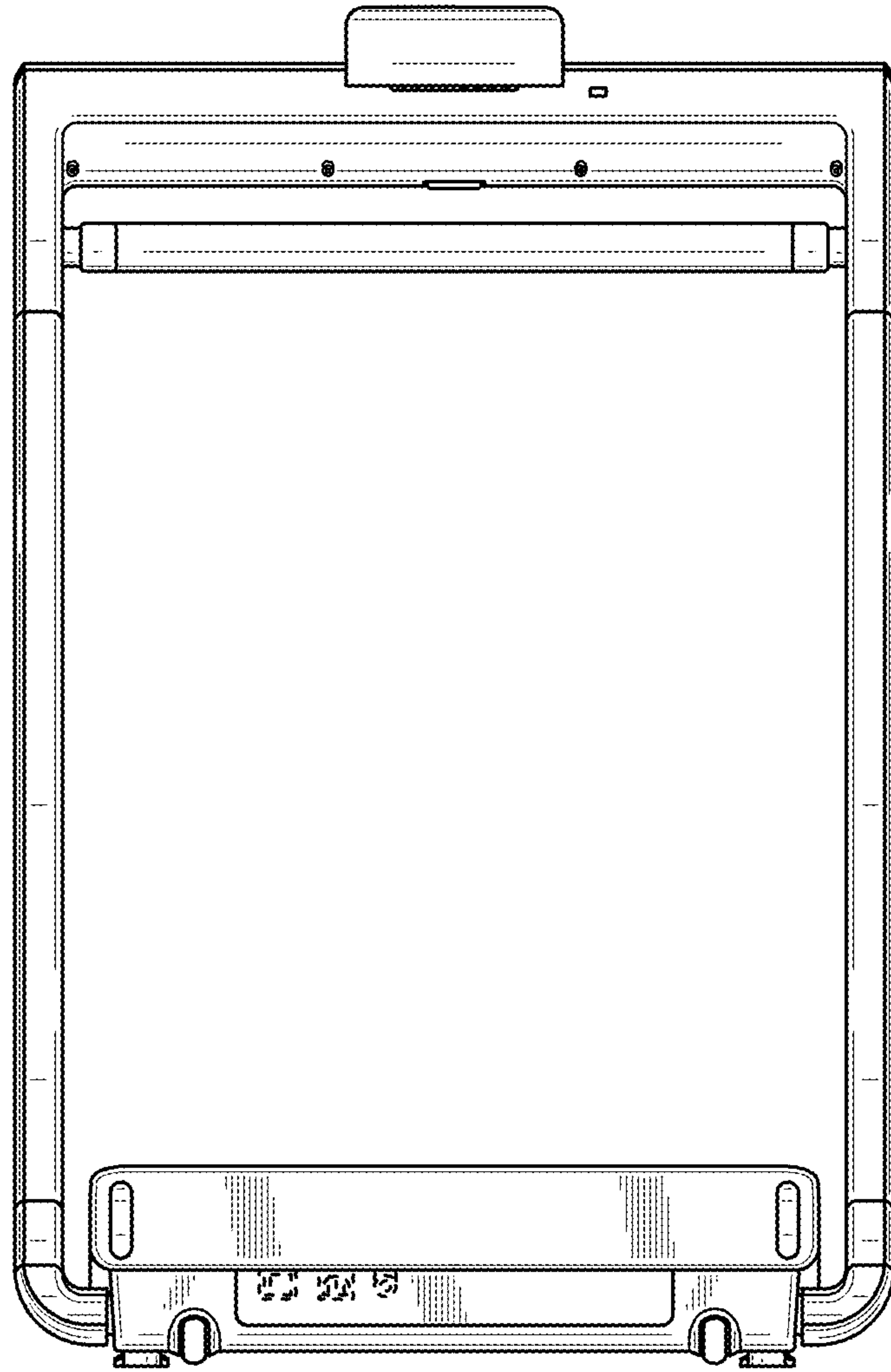


FIG. 3

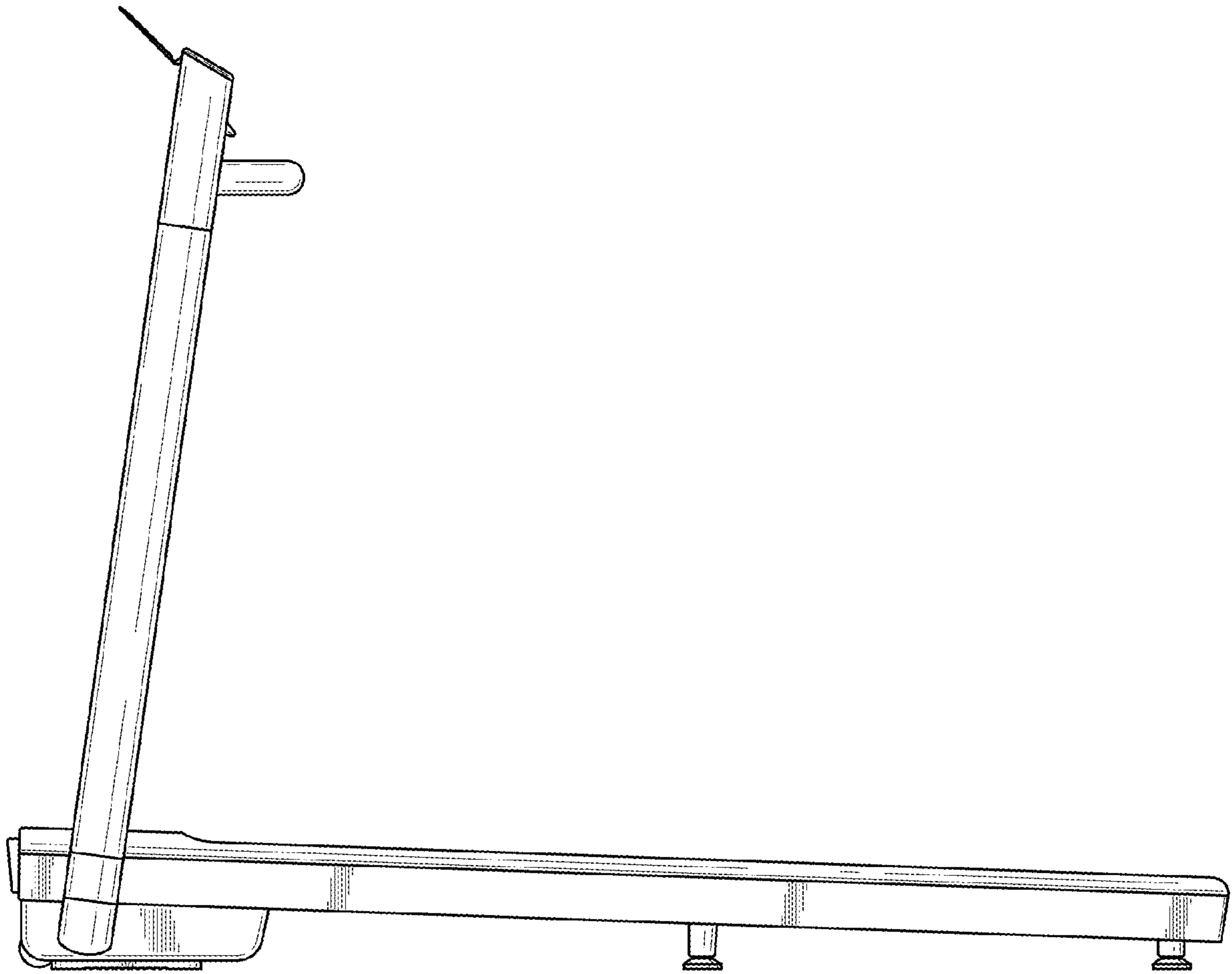


FIG. 4

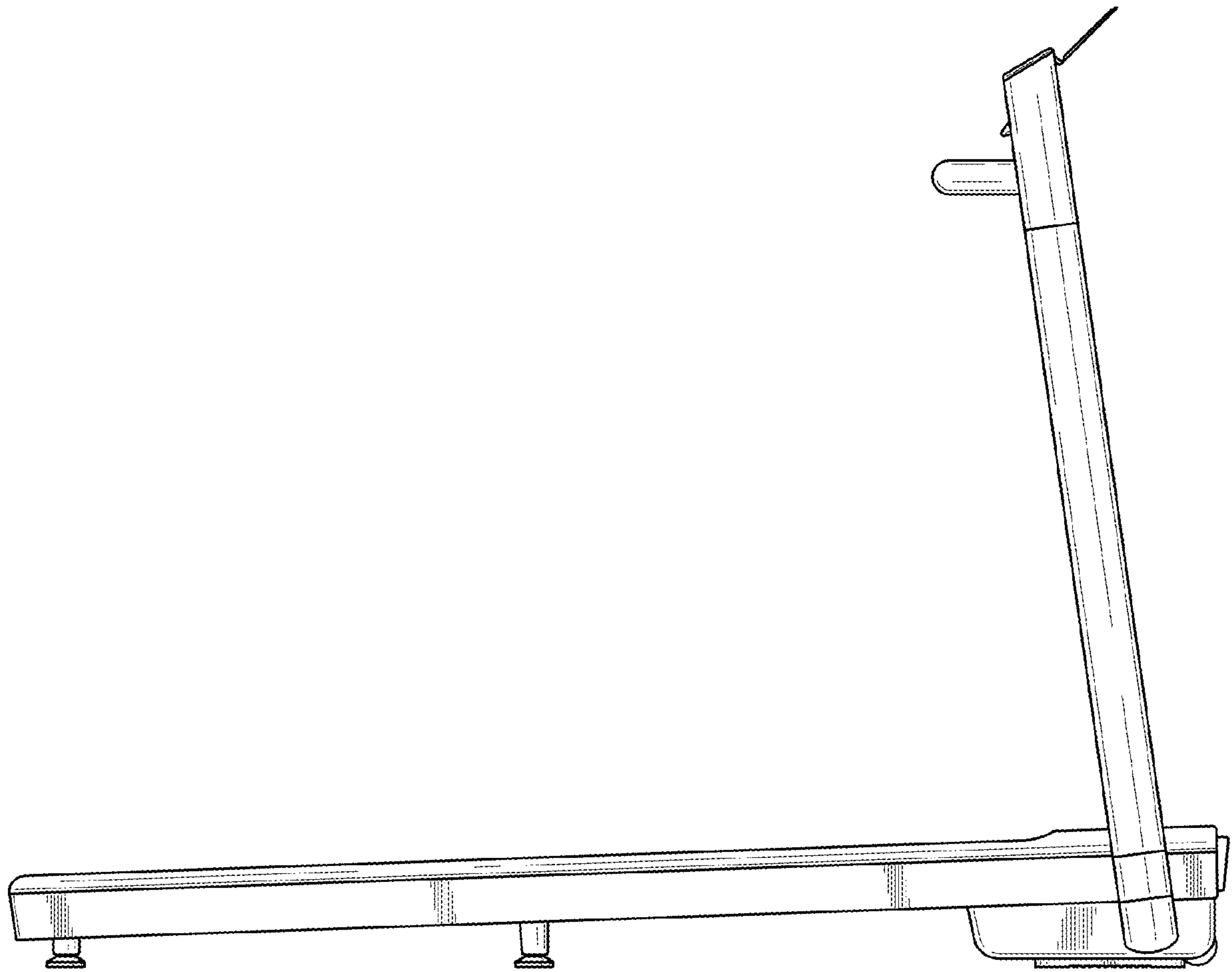


FIG. 5

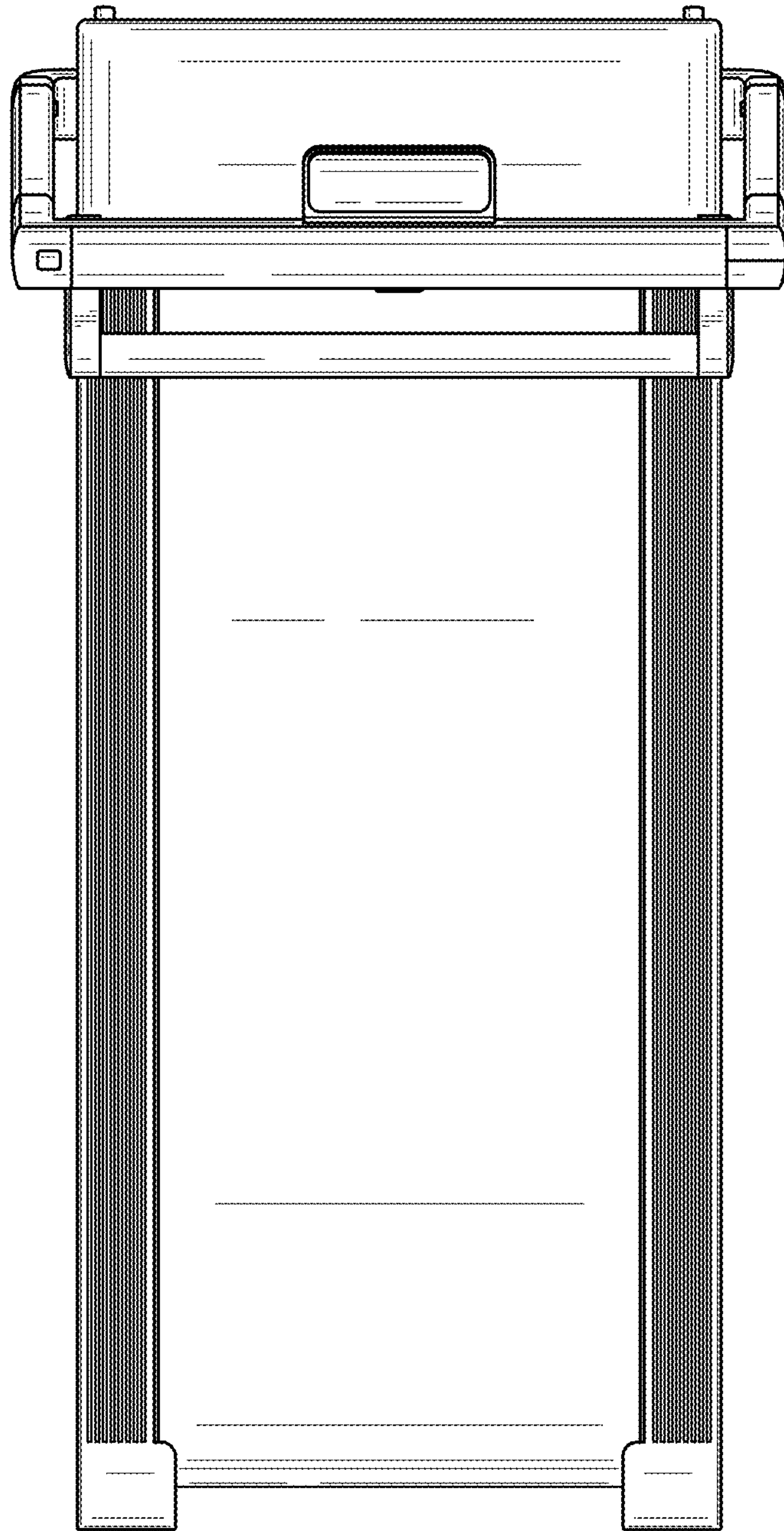


FIG. 6

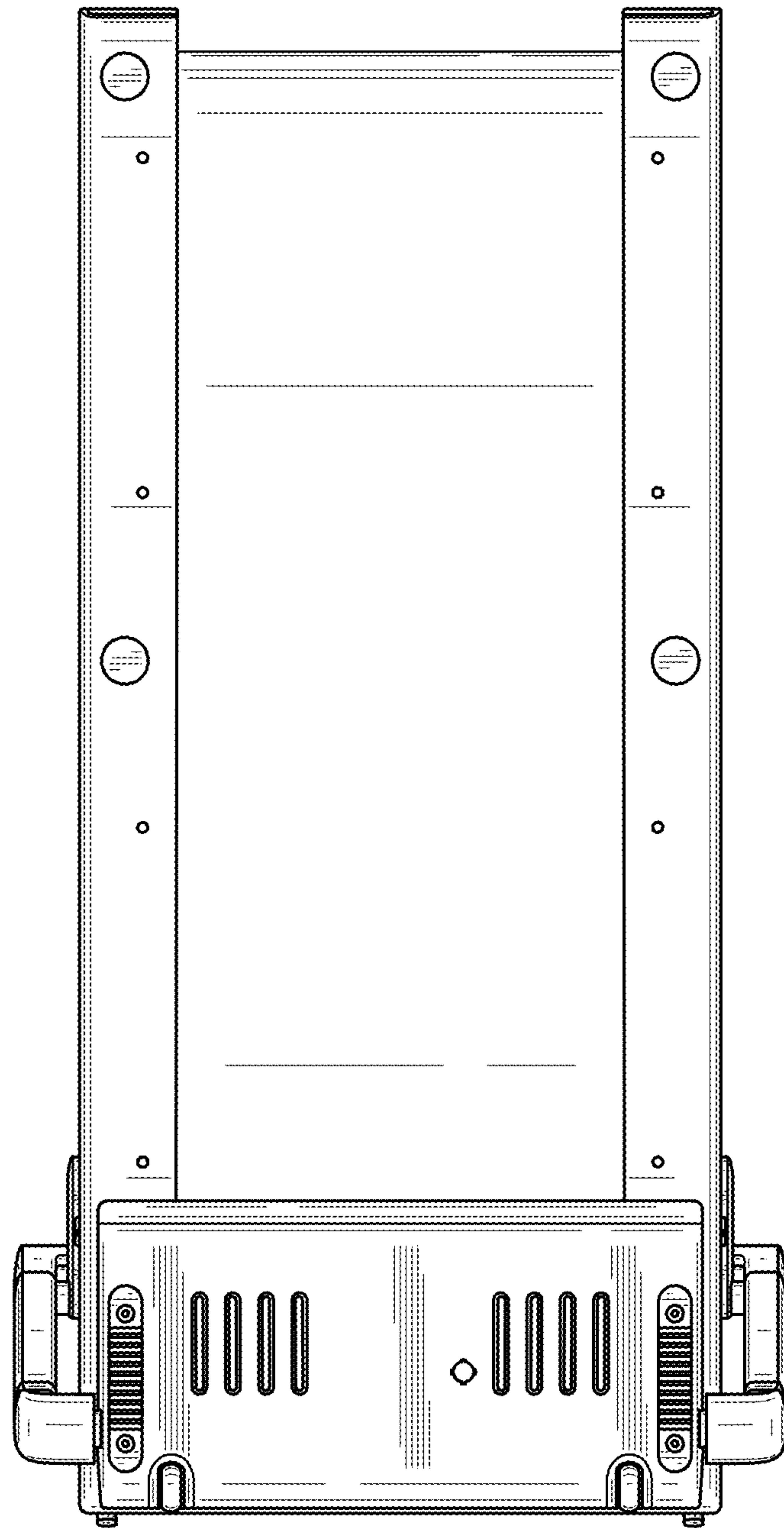


FIG. 7

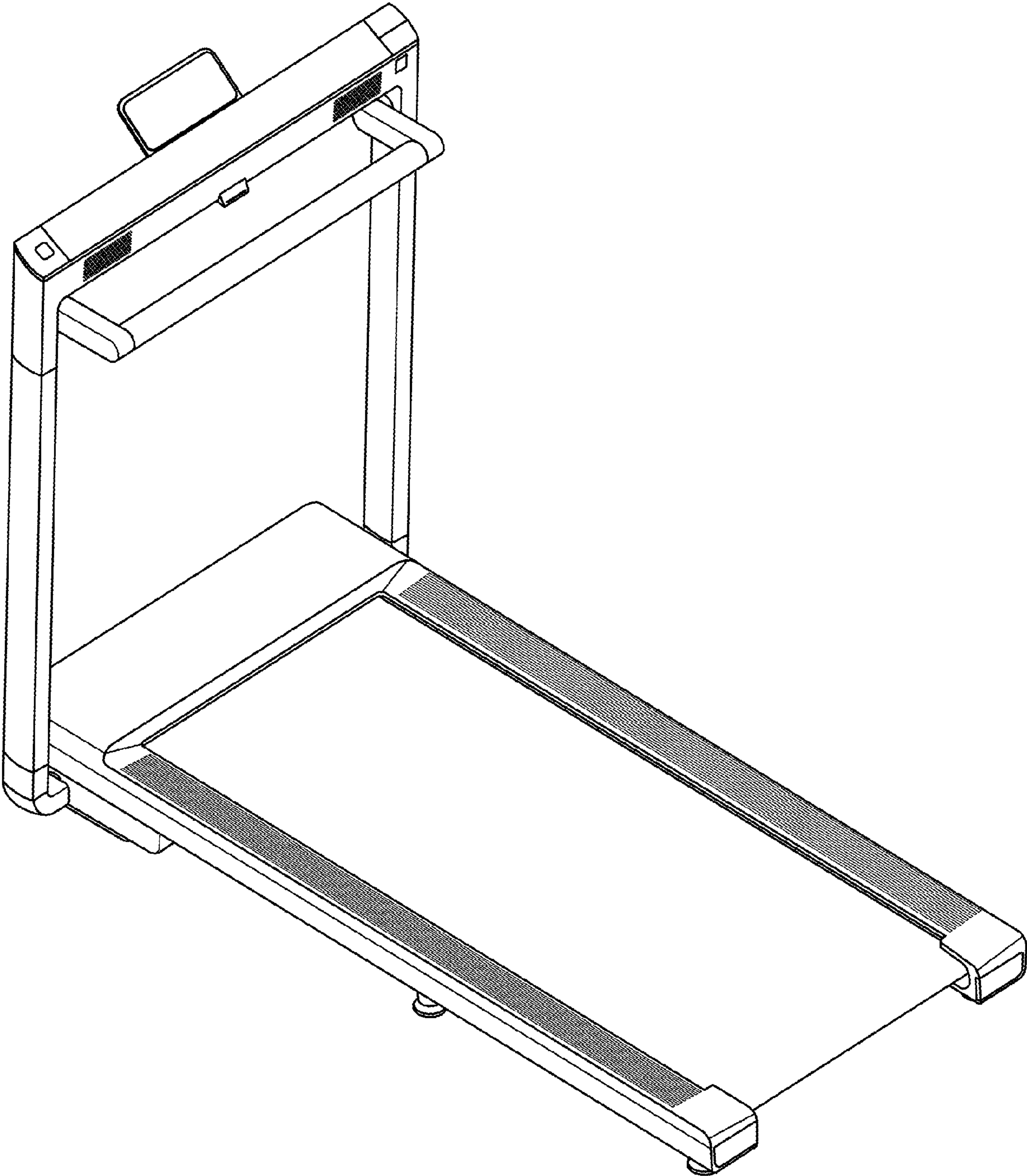


FIG. 8

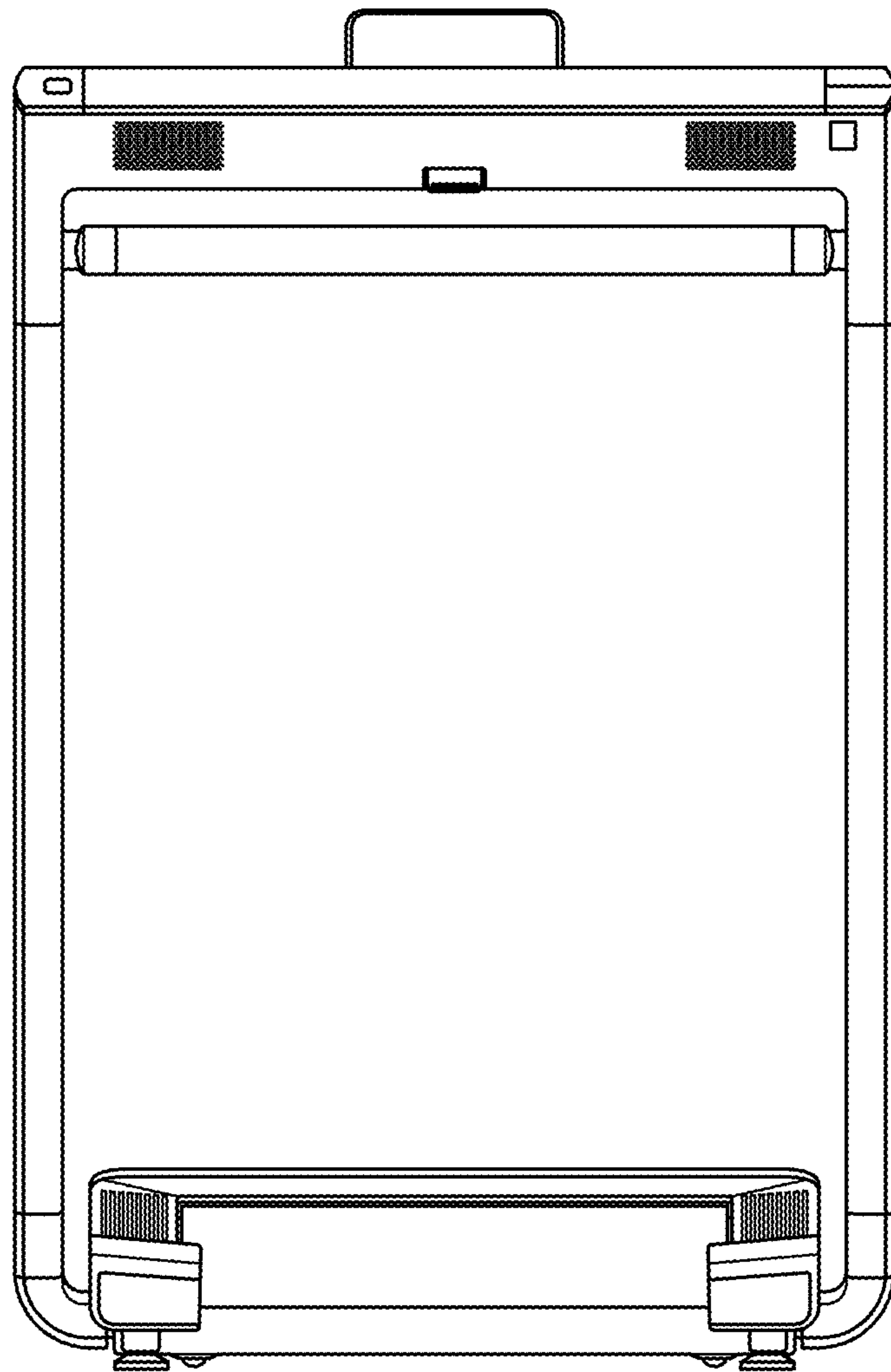


FIG. 9

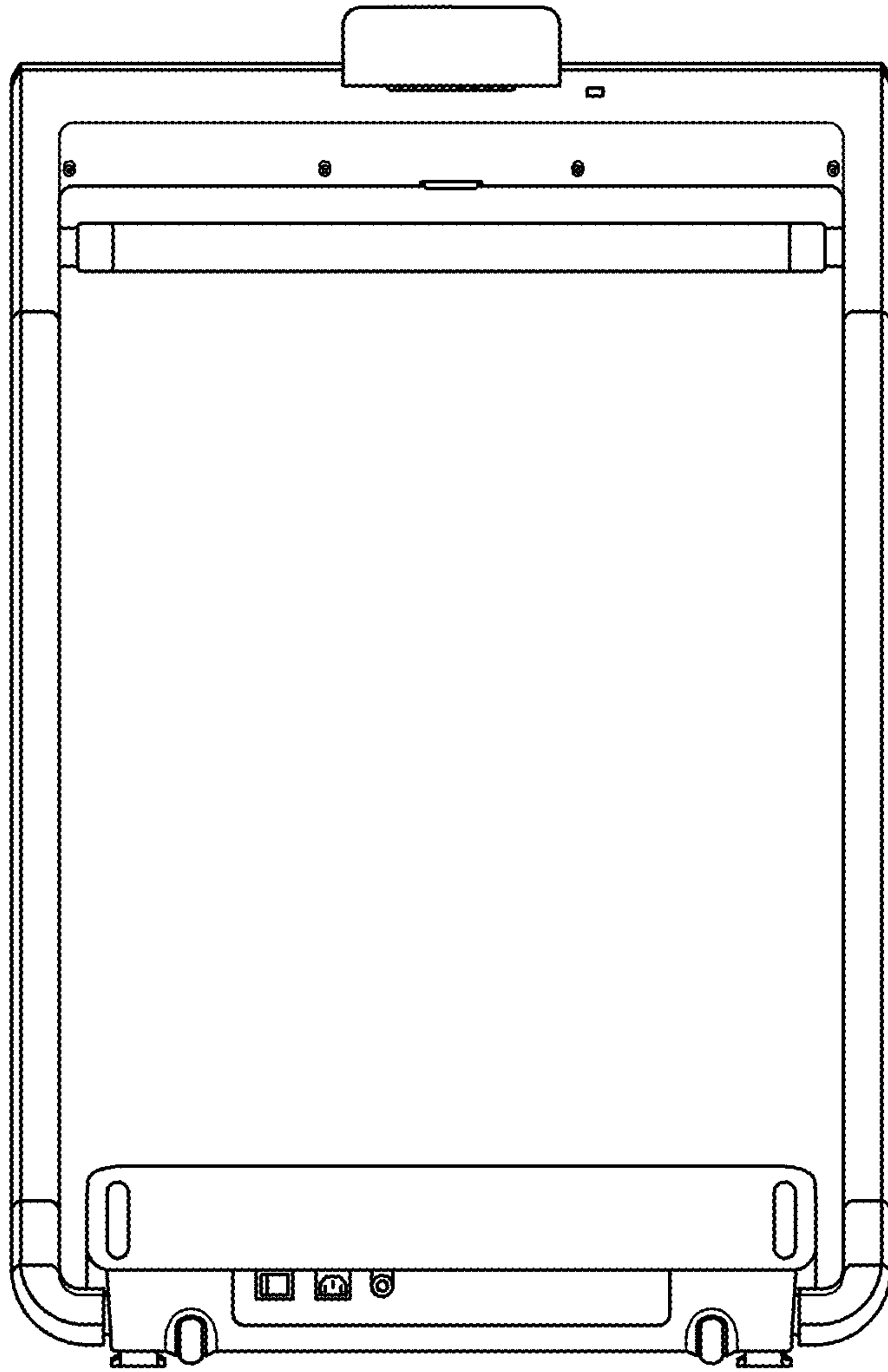


FIG. 10

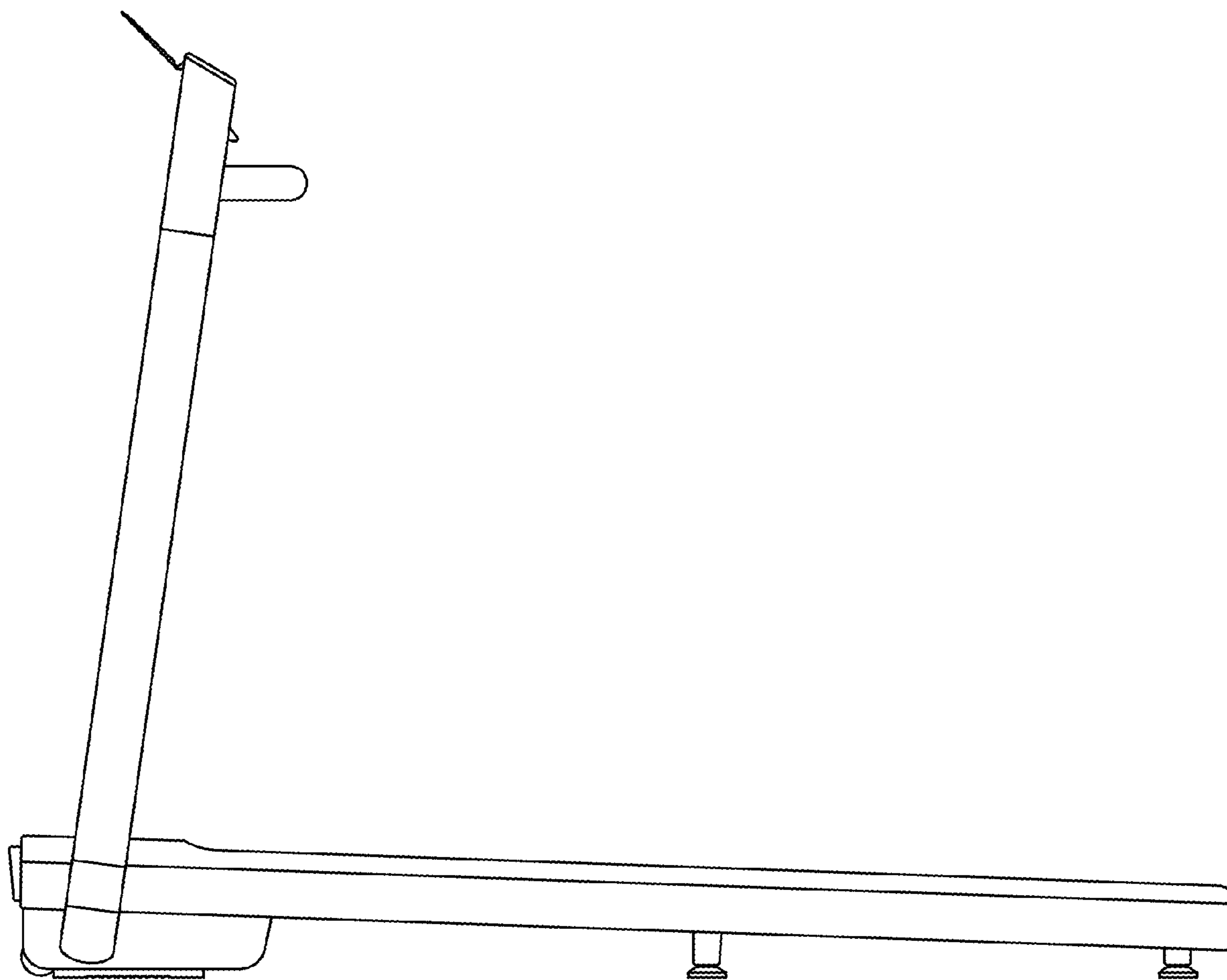


FIG. 11

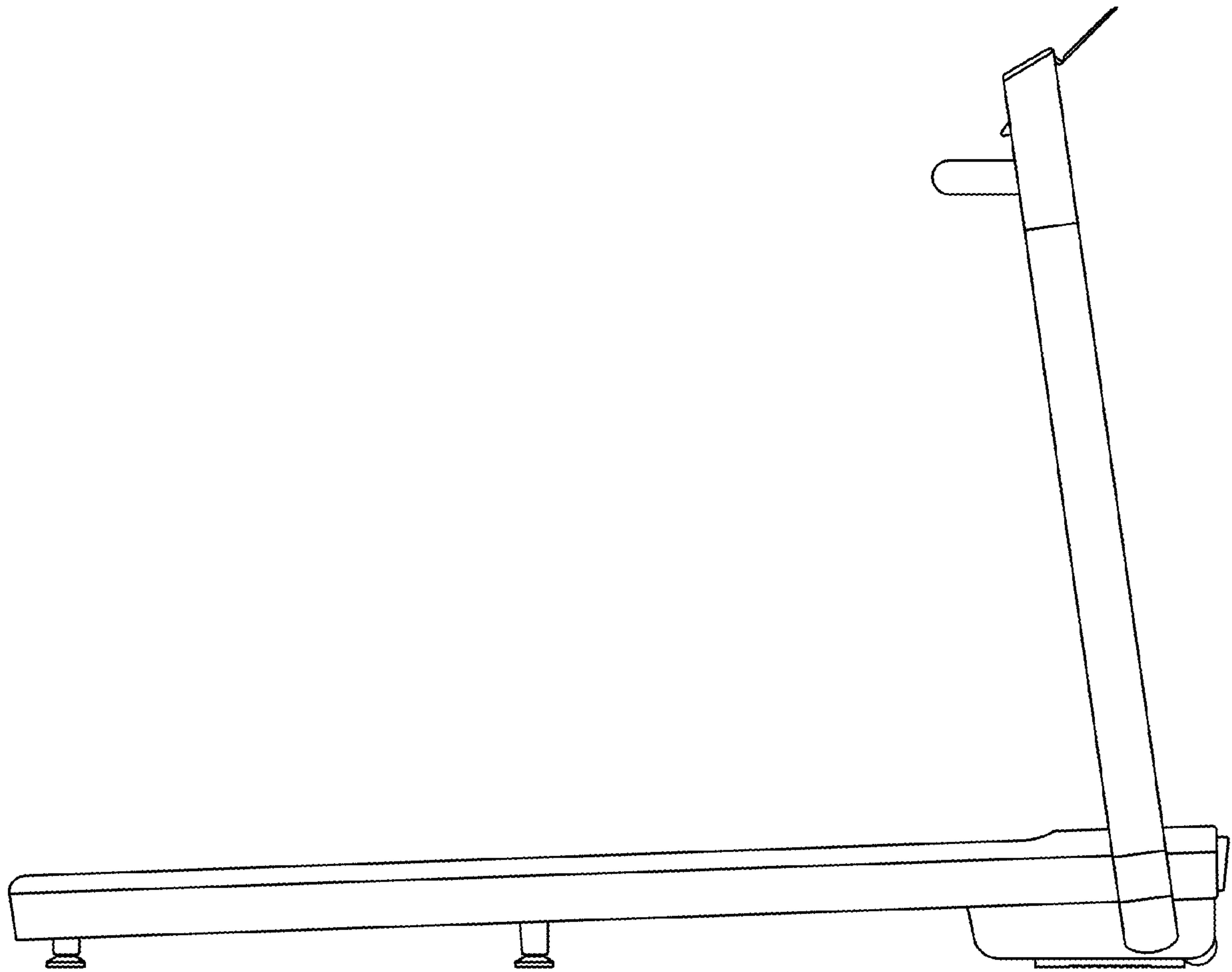


FIG. 12

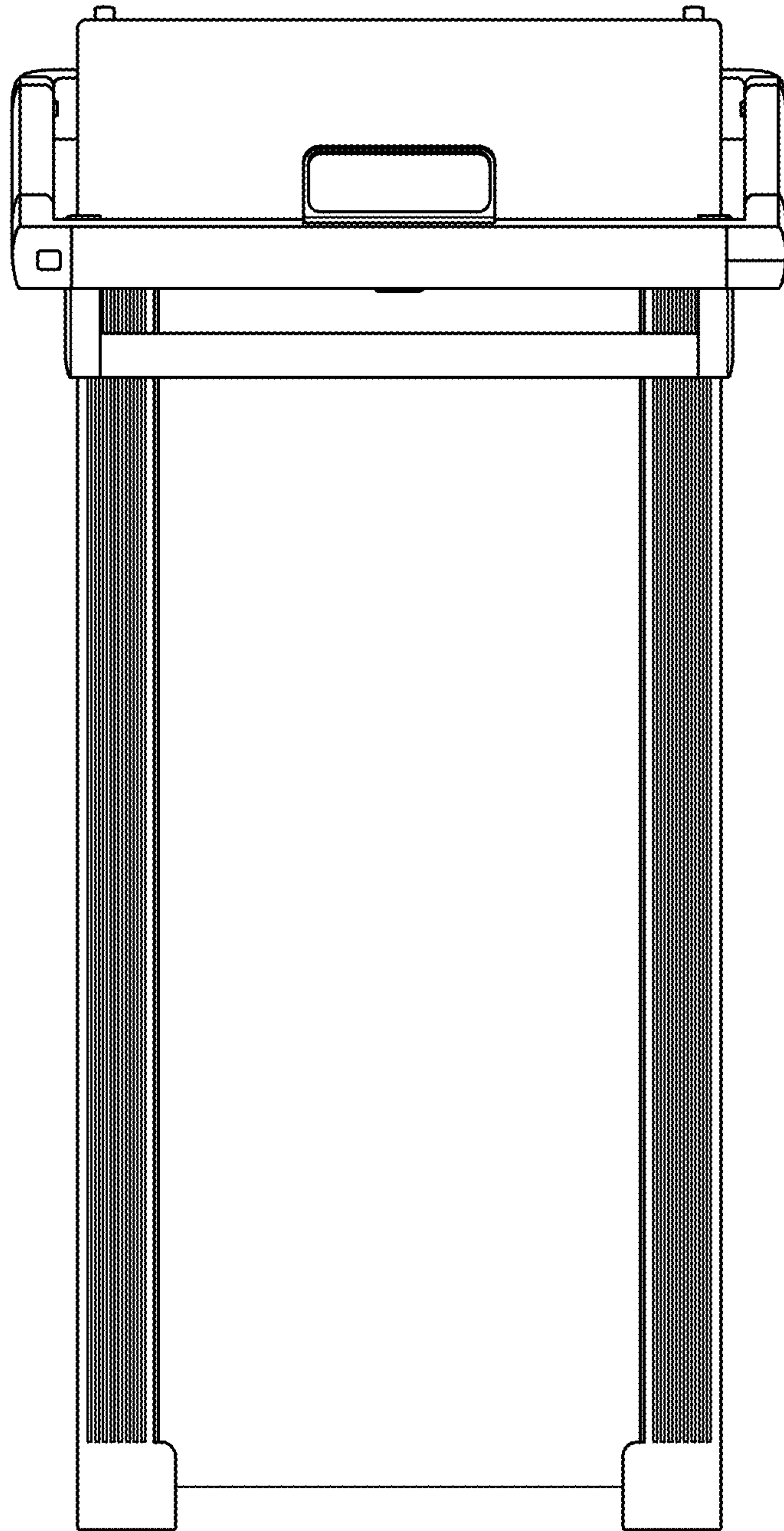


FIG. 13

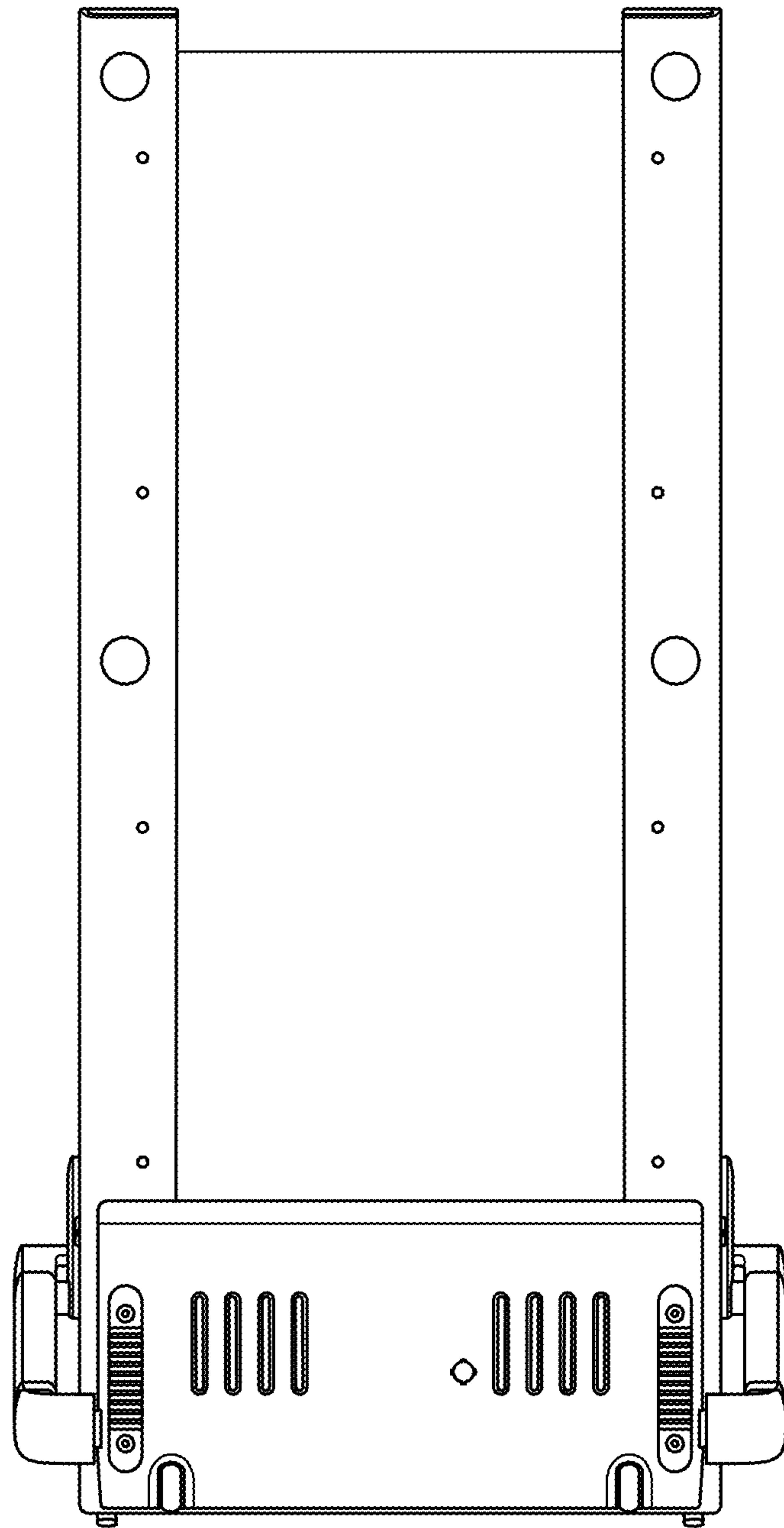


FIG. 14